

PARTS LIST

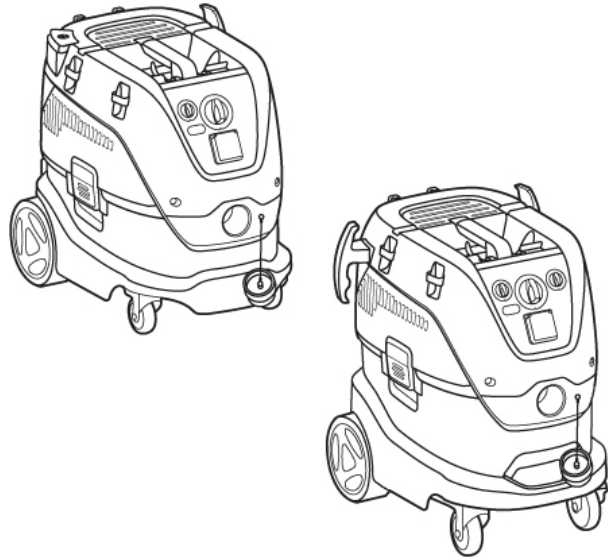
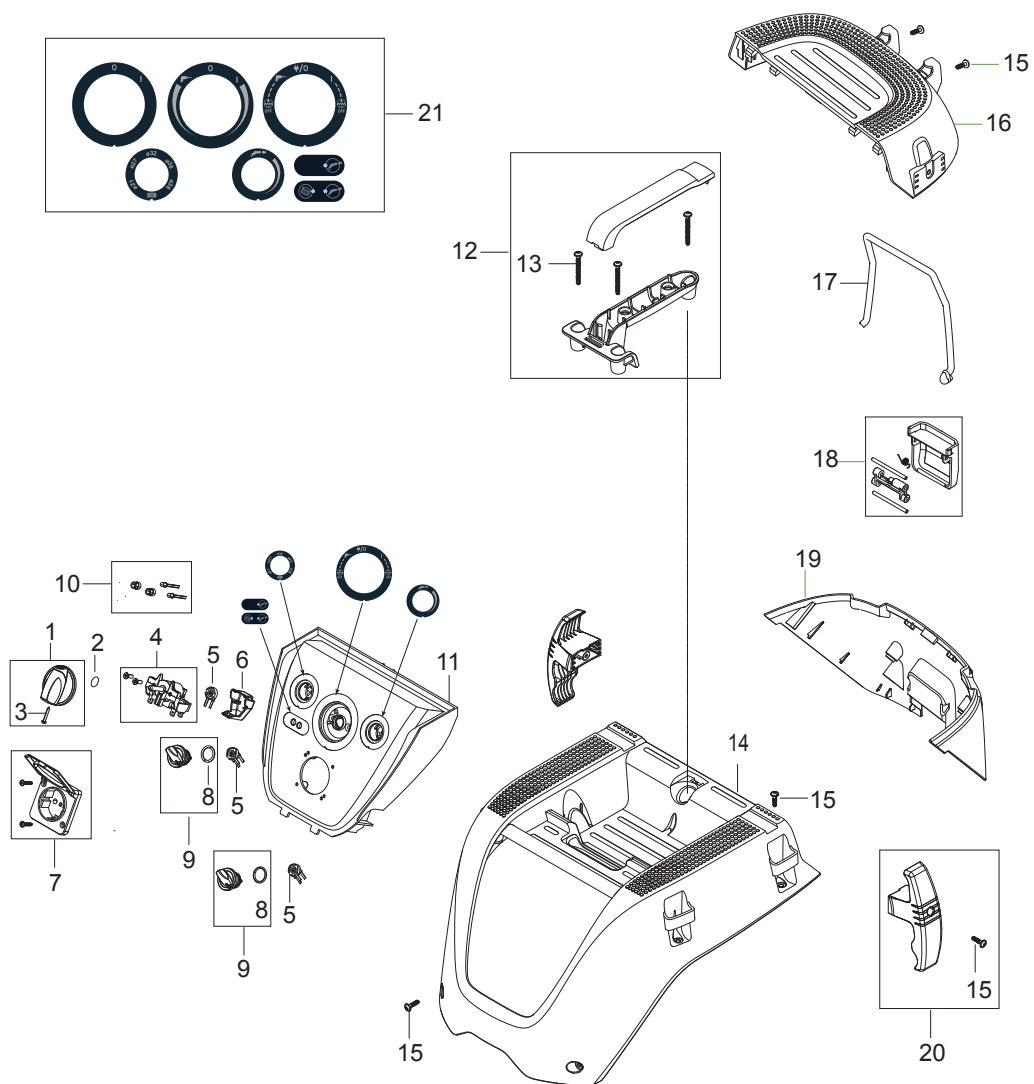


TABLE OF CONTENTS

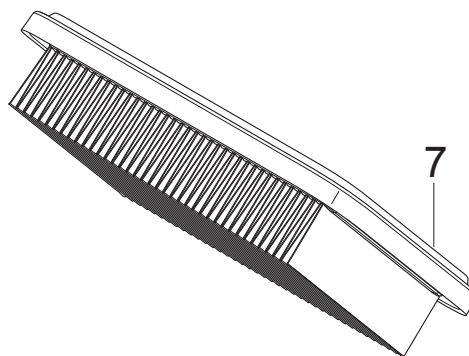
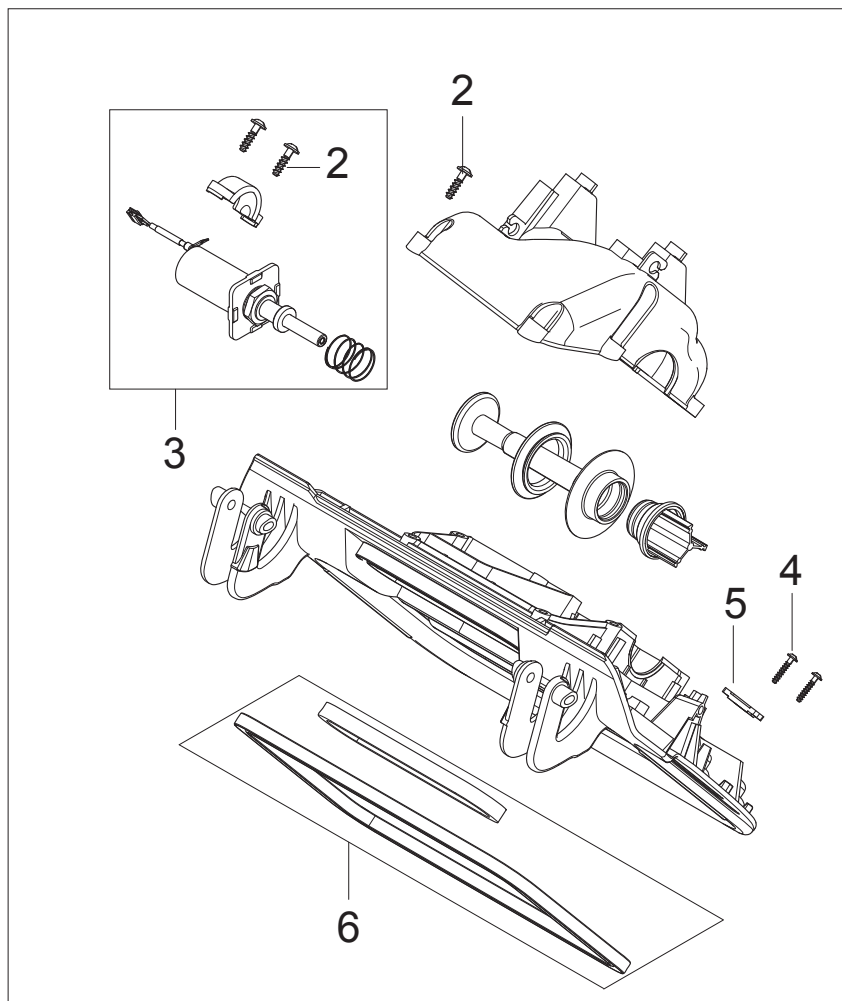
Cabinet and control panel VHS 42 IC H-M	1
Filter system IC	3
Suction unit H-M	5
Base_M_L	7
Container 42L	9
Accessories 1	11
Filter and bags	13
Hoses, tubes and nozzles	15



No.	Part No.	Qty.	Description	Part Note
1	909100239	1	TURNING KNOB GR.1 D6X5 VORTEX LIGHT GREY	
2	32526	1	TREAD-CUTTING SCREW 2.9X19 C ISO 1483 ZN	
3	9868	1	O-RING 10,2x2,5 NBR 70SH	
4	107415085	1	ROTARY SWITCH 5 POS 16A	
5	107415024	3	POTENTIOMETER W. WIRE	
6	107415080	1	CAP FOR POT-METER	
7	302004034	1	SOCKET 16A/250V EU	
7	302001185	1	SOCKET 10A/250V AU	
8	3004221	2	O-RING 16x2 NBR 70SH	
9	107415062	2	TURNING KNOB D28 BLACK	
10	107415087	1	LED INDICATOR KIT 2 PCS.	
11	107417561	1	CONTROL PANEL 21 IC M-H RAL 7001	
12	107415038	1	HANDLE KIT BLACK	
13	128500203	3	SCREW K50X45 WN1451 SP	
14	107417557	1	TOP COVER RAL 7016 W. PRINT VHS 42	
15	302004029	17	SCREW PT50X18	
16	107417554	1	HATCHBACK UPPER COVER IC RAL 7016	
17	107415035	1	CORD STRAP KIT	
18	107418122	1	HATCH DOOR CLAMP 2X SPRING KIT BLACK	[1]
18	107415032	1	HATCH DOOR CLAMP KIT BLACK	[2]
19	107417555	1	HATCHBACK LOWER COVER RAL 7016	
20	107415083	2	HOSE/CABLE HOOK BLACK 1 PCS.	
21	107415077	1	LABEL KIT FOR CONTROL PANEL 8 PCS.	

Part Notes:

- [1] - For machines produced before November 18th 2016. Serial number 3510164605816 STOCK COVERS GUARANTEE
- [2] - For machines produced from November 18th 2016. Serial number 3510164605816



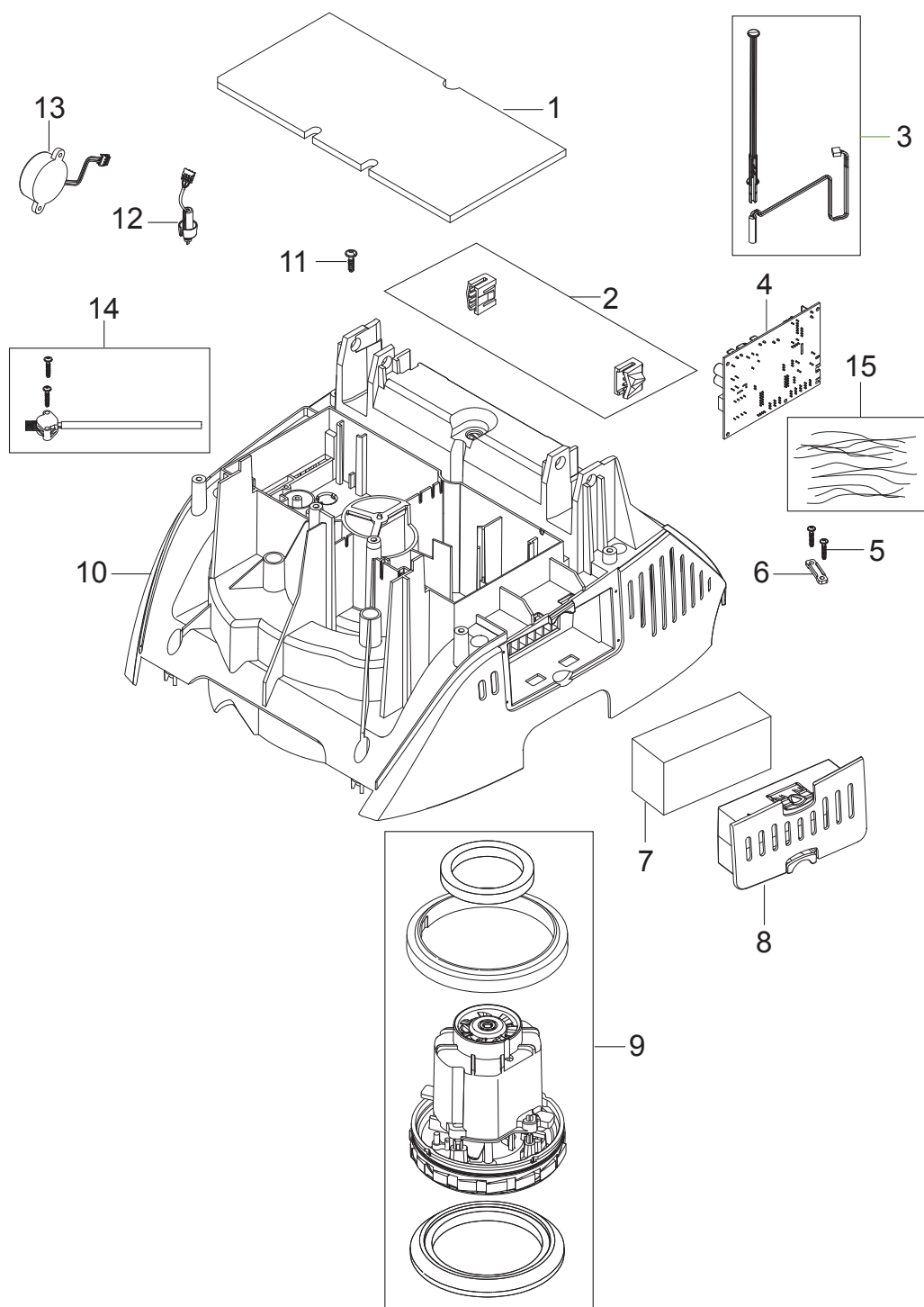
FILTER SYSTEM IC

VHS 40/42 M

2017.11.01

2017.03.07

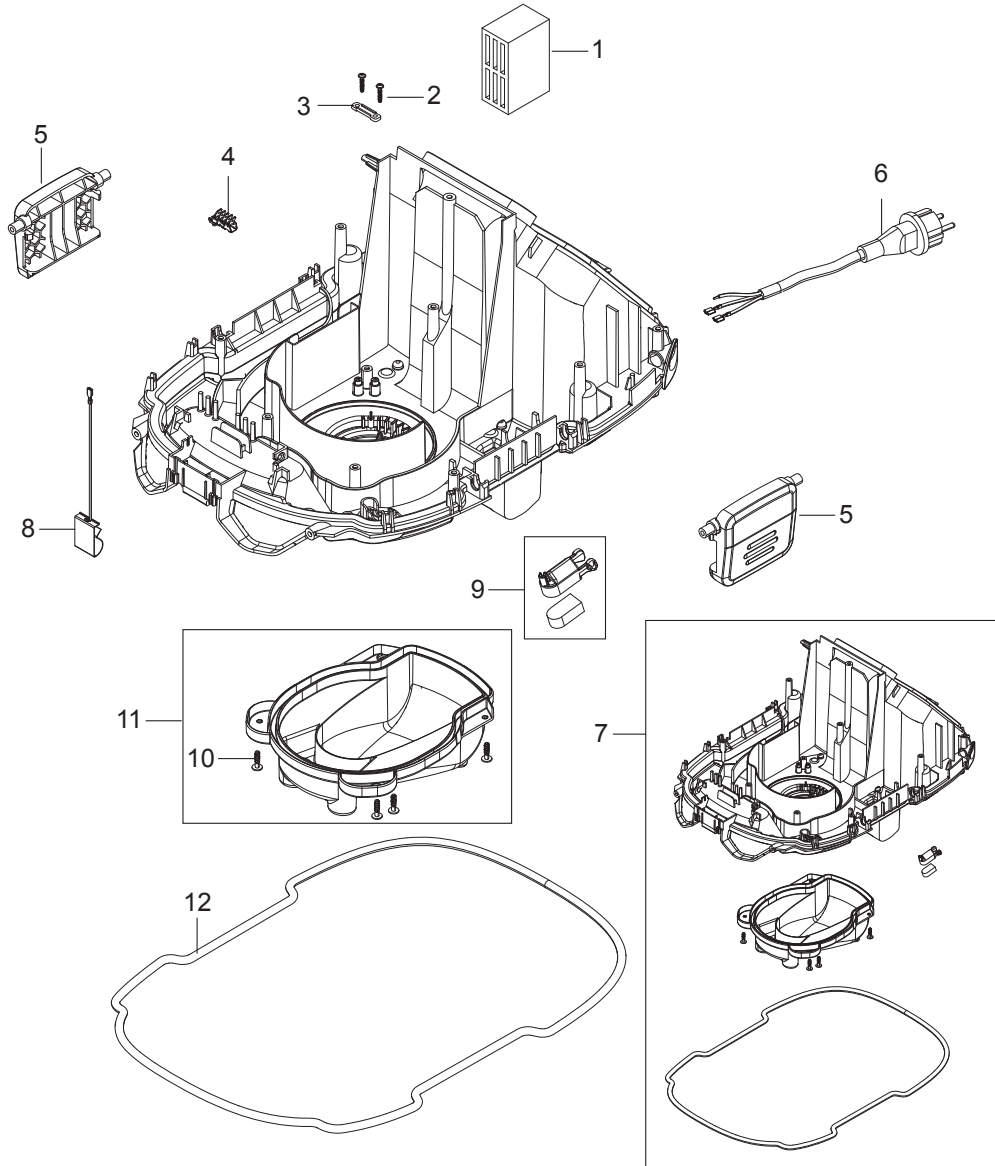
No.	Part No.	Qty.	Description	Part Note
1	107415027	1	HATCH DOOR FRAME WITH SEALING IC	
1	107417859	1	CONJUNTO FALDON IZQUIERDO	
2	302004029	15	SCREW PT50X18	
3	107415031	1	SOLENOID KIT 220-240V	
3	107415079	1	SOLENOID KIT 100-120V	
4	302004032	2	SCREW PT35X18	
5	5697	1	STRAP 3X8X33	
6	107415090	1	HATCH DOOR FILTER GASKET KIT	
7	107413540	1	FLAT FILTER PTFE M-CLASS 1 PCS	



No.	Part No.	Qty.	Description	Part Note
1	107417101	1	FOAM SEALING 298X148	
2	107415075	1	HATCH DOOR HINGE SNAP 2 PCS.	
3	107415060	1	REED SENSOR WITH APPLICATOR	
4	107415059	1	PCBA AUTO ON/OFF M 1M1S P3 220-240V	[1]
4	107417103	1	PCBA AUTO ON/OFF AFC M 1M1S P3 220-240V	[2]
4	107417105	1	PCBA AUTO ON/OFF H 1M1S P3 220-240V	[3]
4	107417106	1	PCBA AUTO ON/OFF AFC H 1M1S P3 220-240V	[4]
5	302004032	2	SCREW PT35X18	
6	302004030	1	STRAP FOR CABLE	
7	107415096	1	DIFFUSOR 55X115X45 BLACK	
8	107417564	1	COVER F. MOTORCOOLING FILTER RAL 7016	
9	107415055	1	MOTOR KIT 1200W 220-240V 50/60HZ	
10	107417855	1	AIRGUIDE M/H RAL 7016	
11	302004029	9	SCREW PT50X18	
12	107416952	1	FLOW SENSOR W. WIRE KIT	
13	107416958	1	BUZZER KIT1	
14	107417111	1	PRESSURE SENSOR FILTER MONITORING KIT	
15	107417863	1	WIRE/CAPACITOR KIT6	

Part Notes:

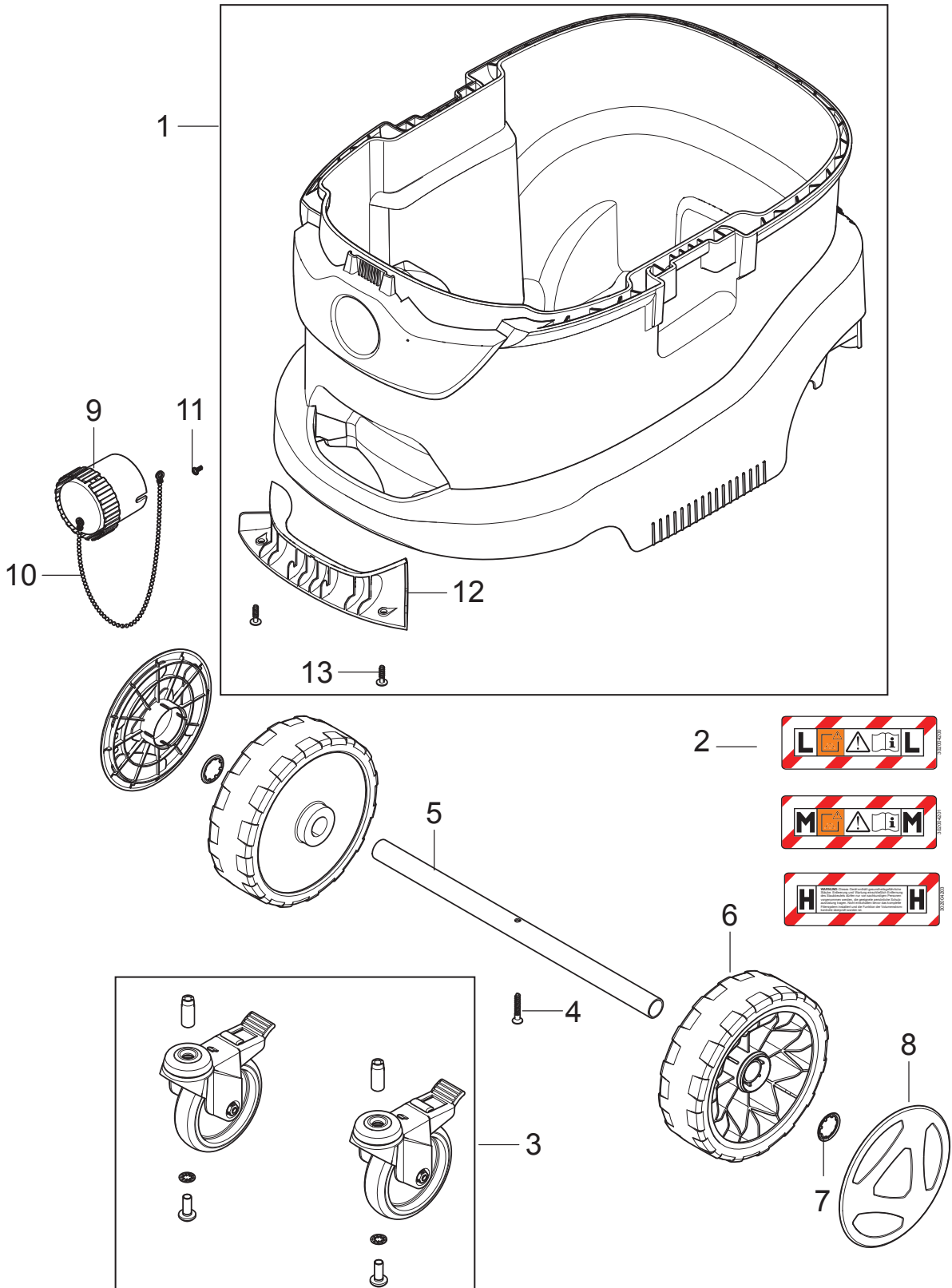
- [1] - 2M PC 220-240V 50/60HZ
- [2] - 2M IC 220-240V/50-60HZ
- [3] - 2H PC 220-240V 50/60HZ
- [4] - 2H IC 220-240V 50/60HZ



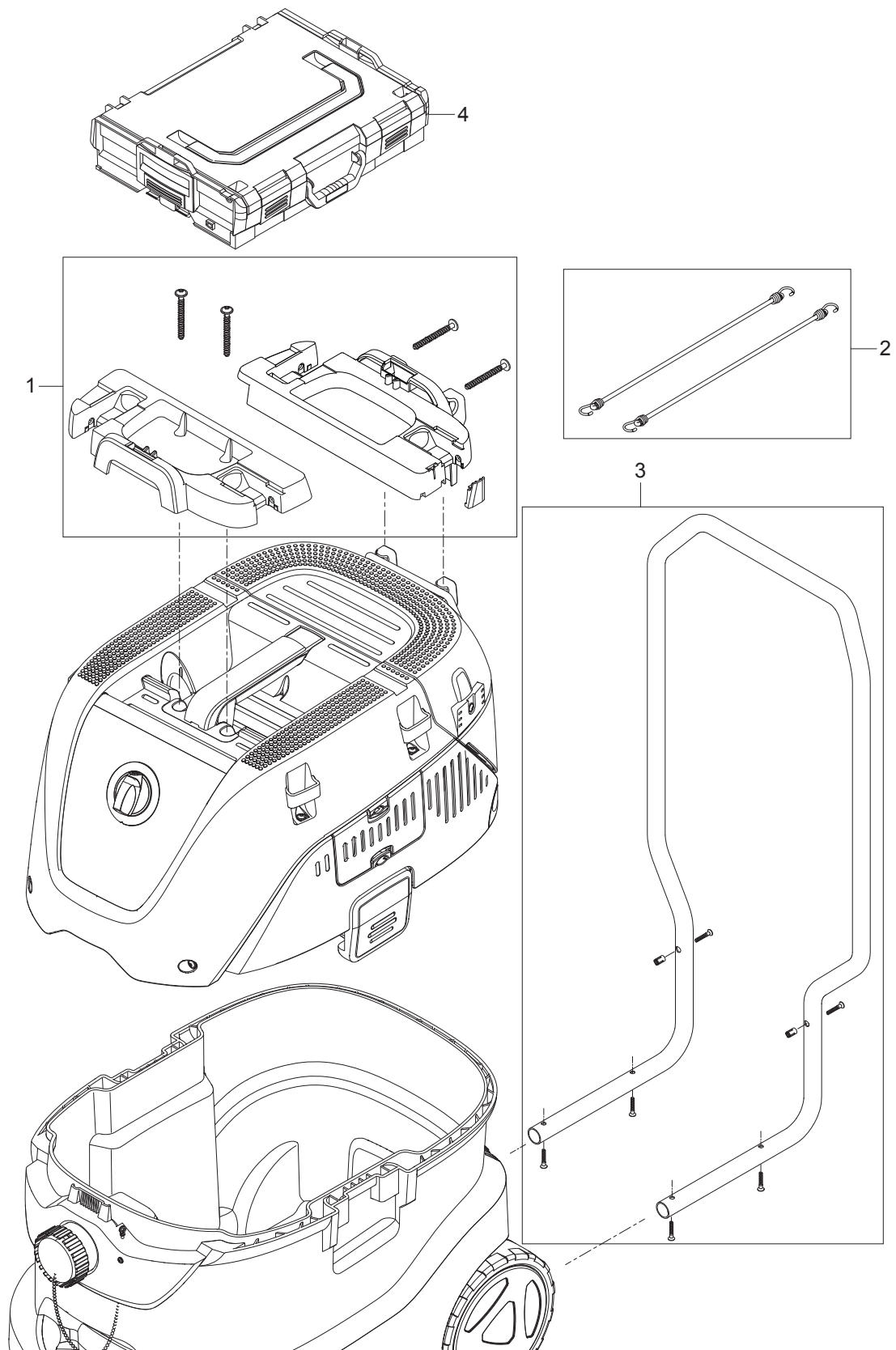
No.	Part No.	Qty.	Description	Part Note
1	107417112	1	SOUND ABSORBER 83X55X35	
2	302004032	2	SCREW PT35X18	
3	302004030	1	STRAP FOR CABLE	
4	302004031	1	DISTRIBUTION STRIP 6-POL 16A	
5	107415053	2	CONTAINER CLAMP BLACK	
6	107400573	1	VR 1.4	[1]
6	302004333	1	POWER CORD H05RR-F 3G1.5X8.4 AS3112 -AU	[2]
6	302004332	1	POWER CORD SJTW-A AWG14/3X8.4 US	[3]
7	107415074	1	BASE PLATE ASSEMBLY KIT	
8	107417113	1	CONTACT SPRING W. WIRE	
9	107415063	1	FLOATER WITH MAGNET	
10	1814614	4	PT-SCREW K50X18 T20 WN1451 - A2	
11	107415061	1	AIR FLOW COVER KIT BLACK	
12	107415050	1	CONTAINER SEALING	

Part Notes:

- [1] - 220-240V 50/60HZ EU
- [2] - 220-240V 50/60HZ AU/NZ
- [3] - 120V 50/60HZ US



No.	Part No.	Qty.	Description	Part Note
1	107417571	1	CONTAINER 42L KIT RAL 7001	
1	107417572	1	CONTAINER 42L KIT SAFETY H RAL 7001	
2	107417119	1	LABEL DUSTCLASS L 130X44 PVC	
2	107401291	1	LABEL DUSTCLASS M 130X44 PVC	
2	107401548	1	LABEL DUSTCLASS H 130X44 PVC	
3	107417573	1	CASTOR WHEEL D100 WITH BRAKE 2 PCS	
4	107417864	1	SCREW WN1423 K50X35 BLACK TORX KIT	
5	302004022	1	WHEEL AXLE	
6	107417121	2	WHEEL D175 BLACK	
7	47302	2	CLAMPING RING 28.6 20	
8	107417570	2	WHEEL CAP D145 RAL 7001	
9	14775	1	HOSE INLET PLUG 50MM	
10	30081	1	BEAD CHAIN 150MM WITH EYES ST/	
11	24738	1	SCREW KA35X 8 WN1411	
12	107417124	1	HANDLE INNER FOR CONTAINER 42L BLACK	
13	302004029	2	SCREW PT50X18	



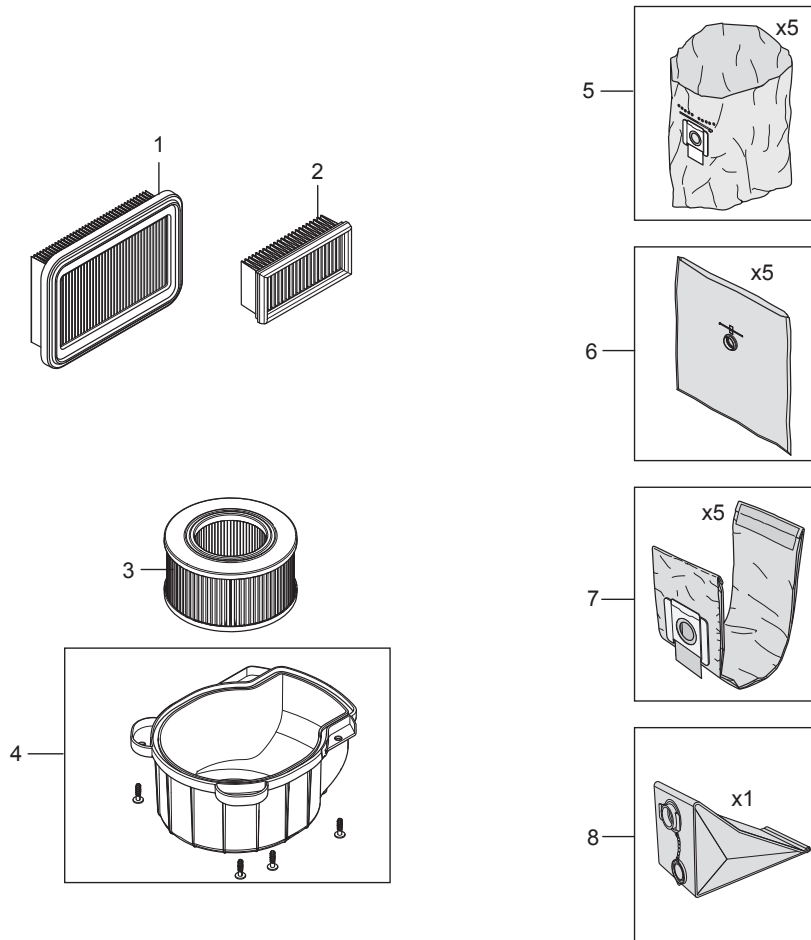
ACCESSORIES 1

VHS 40/42 M

2017.11.01

2016.04.01

No.	Part No.	Qty.	Description	Part Note
1	107413551	1	ADAPTER PLATE KIT	
2	107413553	1	FLEXIBLE STRAP SET 2 PCS	
3	107413552	1	TROLLEY HANDLE KIT	
4	107413554	1	STORAGE L-BOXX KIT W. DUSTBAGS	



FILTER AND BAGS

VHS 40/42 M

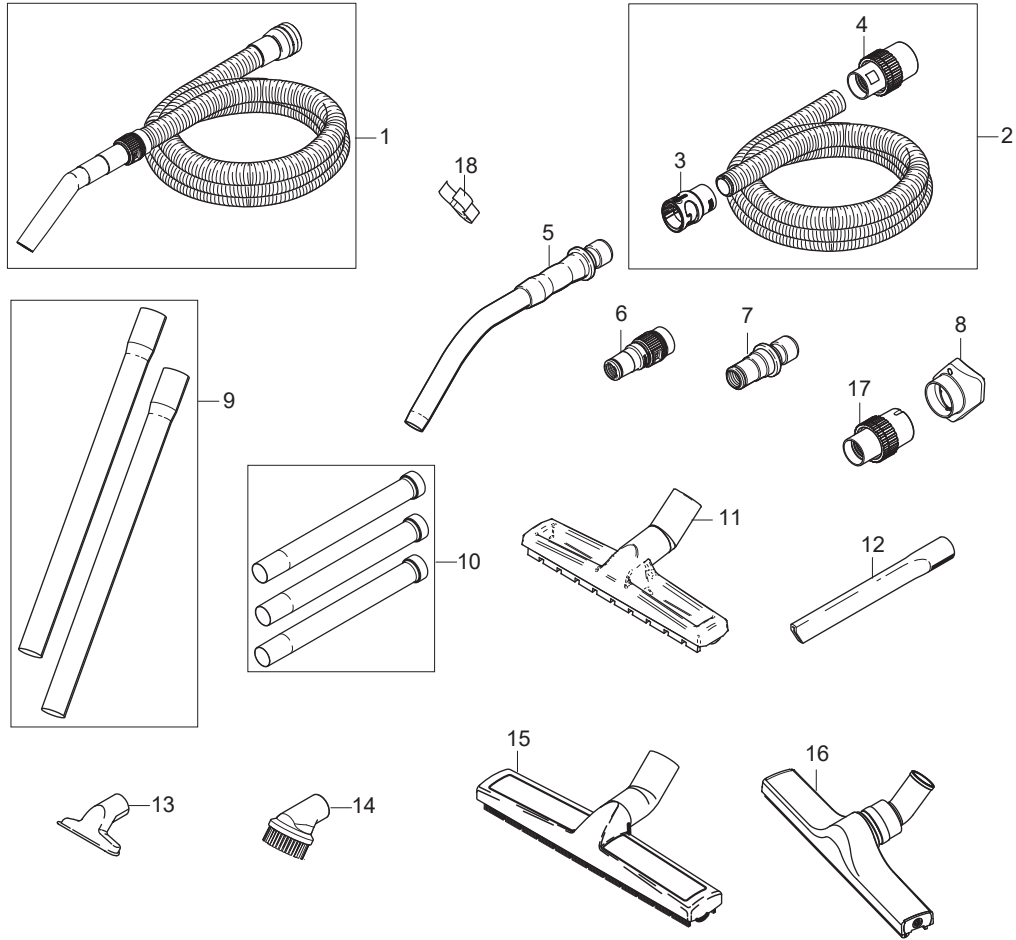
2017.11.01

2016.07.04

No.	Part No.	Qty.	Description	Part Note
1	107413540	1	FLAT FILTER PTFE M-CLASS 1 PCS	
2	107413541	1	MOTOR COOLING AIR FILTER PET 1 PCS	
3	107413555	1	FILTER ELEMENT Ø140X75 H-CLASS/HEPA	
4	107413542	1	HEPA FILTER COVER KIT	[1]
5	107417821	1	DISPOSAL BAG ATTIX 33/44 5 PCS	
6	107413549	1	SAFETY FILTER BAG H ATTIX 33/44. 5 PCS	
7	107413547	1	FLEECE FILTER BAG 5 PCS ATTIX 33/44	
8	107413556	1	LONG LIFE FILTER BAG 1 PCS ATTIX 33/44	

Part Notes:

[1] - NO REPLACEMENT



No.	Part No.	Qty.	Description	Part Note
1	107409976	1	UNIV HOSE WITH HAND TUBE D32X3500 CPL.	[1]
2	107413543	1	HOSE Ø32X4000MM AS RED	
2	107413544	1	HOSE Ø36X4000 MM AS RED	
3	107417868	1	HOSE SLEEVE Ø38 AS QUICKSYSTEM	
3	107417867	1	HOSE SLEEVE Ø36 AS QUICKSYSTEM	
3	107417866	1	HOSE SLEEVE Ø32 AS QUICKSYSTEM	
4	30928	1	SLEEVE CPL - VACUUM SIDE - D50/D32 CONDU	
4	15812	1	SLEEVE CPL - VACUUM SIDE - D50/D36 CONDU	
5	46691	1	CURVED HAND TUBE Ø36MM SS	
6	107409977	1	TOOL ADAPTER WITH SUCTION REGULATION D32	[1]
7	302000535	1	TOOL ADAPTER D27 QUICKSYSTEM	
8	107417865	1	EXHAUST AIR ADAPTER KIT	
9	302000529	1	EXTENSION TUBE D36 2X505MM ST/CR	
9	107408074	1	EXTENSION TUBE Ø36 2X505MM SS	
10	107416995	1	EXTENSION TUBE D36 3X350 MM SS	
11	302002331	1	FLOOR NOZZLE Ø36X300MM	
12	6084	1	CREVICE NOZZLE Ø36X300 PP	
12	29541	1	CREVICE NOZZLE D36X200	
13	14295	1	UNIVERSAL NOZZLE D36X115	
14	302002509	1	SUCTION BRUSH D36 BLACK	
15	60356	1	FLOOR NOZZLE Ø36X360MM WET/DRY	
16	302003666	1	FLOOR NOZZLE D36X400MM W/D	
17	42955	1	HOSE SLEEVE Ø50/50 CONDUCTIVE TYPE 22	[2]
18	48375	1	HOSE CLIP FOR CORD FIXATION Ø27-38 MM	

Part Notes:

- [1] - TSB-LI-VACS-2017-01 - AERO+ATTIX hose
 [2] - To be used with Ø50 mm hose

