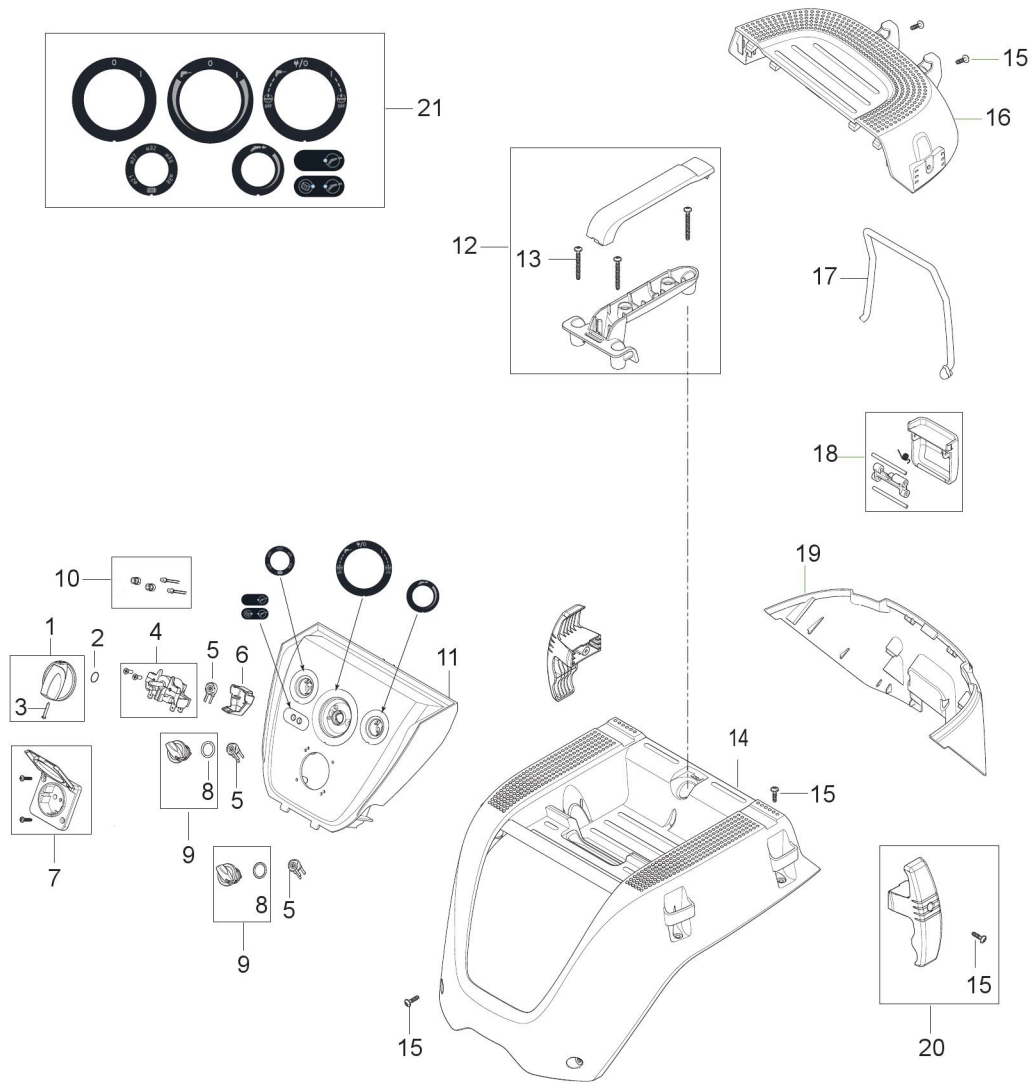


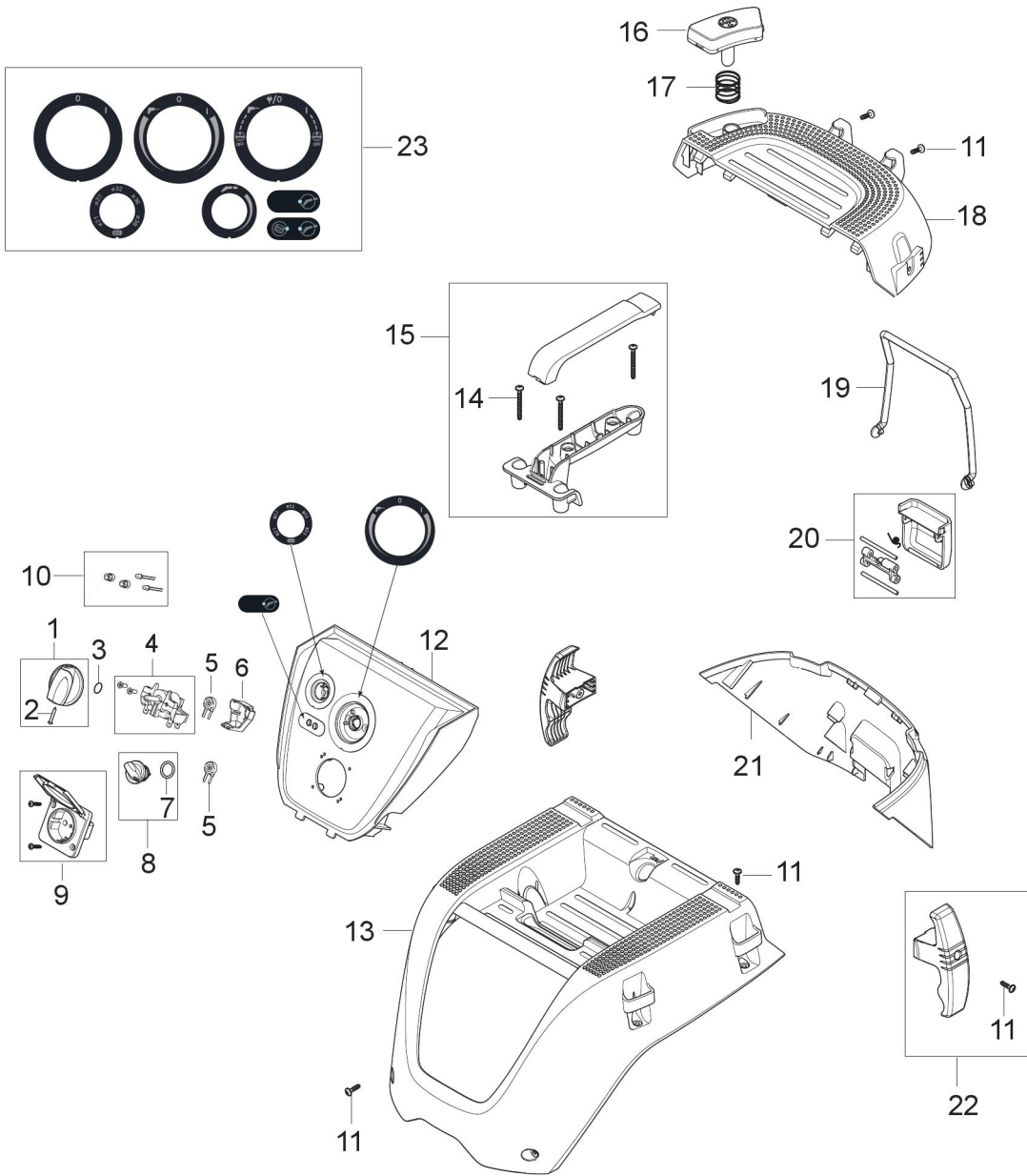
Nilfisk [2019/November]/Vacuum Cleaners/Industrial Vacuum Cleaners/Singlephase for hazardous dusts/VHS 40/42 M-H/VHS 40/42 M (101301299440851390N)/Cabinet and control panel VHS 42 IC H-M



Nilfisk [2019/November]/Vacuum Cleaners/Industrial Vacuum Cleaners/Singlephase for hazardous
dusts/VHS 40/42 M-H/VHS 40/42 M (101301299440851390N)/Cabinet and control panel VHS 42 IC H-M

PTR	PTR_PARENT	COLOR	SOURCE_OB	No.	Part No.	Qty.	Description
0			909100239	1	90910023	1	TURNING KNOB GR.1 D6X5 VORTEX LIGHT
1			32526	2	32526	1	TREAD-CUTTING SCREW 2.9X19 C ISO 148
2			9868	3	9868	1	O-RING 10,2x2,5 NBR 70SH
3			107415085	4	10741508	1	ROTARY SWITCH 5 POS 16A
4			107415024	5	10741502	3	POTENTIOMETER W. WIRE
5			107415080	6	10741508	1	CAP FOR POT-METER
6			302004034	7	30200403	1	SOCKET 16A/250V EU
7			302001185	7	30200118	1	SOCKET 10A/250V AU
8			3004221	8	3004221	2	O-RING 16x2 NBR 70SH
9			107415062	9	10741506	2	TURNING KNOB D28 BLACK
10			107415087	10	10741508	1	LED INDICATOR KIT 2 PCS.
11			107417561	11	10741756	1	CONTROL PANEL 21 IC M-H RAL 7001
12			107415038	12	10741503	1	HANDLE KIT BLACK
13			128500203	13	12850020	3	SCREW K50X45 WN1451 SP
14			107417557	14	10741755	1	TOP COVER RAL 7016 W. PRINT VHS 42
15			302004029	15	30200402	17	SCREW PT50X18
16			107417554	16	10741755	1	HATCHBACK UPPER COVER IC RAL 7016
17			107415035	17	10741503	1	CORD STRAP KIT
18			107418122	18	10741812	1	HATCH DOOR CLAMP 2X SPRING KIT BLAC
19			107415032	18	10741503	1	HATCH DOOR CLAMP KIT BLACK
20			107417555	19	10741755	1	HATCHBACK LOWER COVER RAL 7016
21			107415083	20	10741508	2	HOSE/CABLE HOOK BLACK 1 PCS.
22			107415077	21	10741507	1	LABEL KIT FOR CONTROL PANEL 8 PCS.

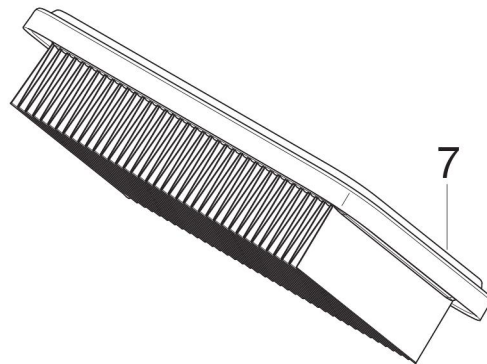
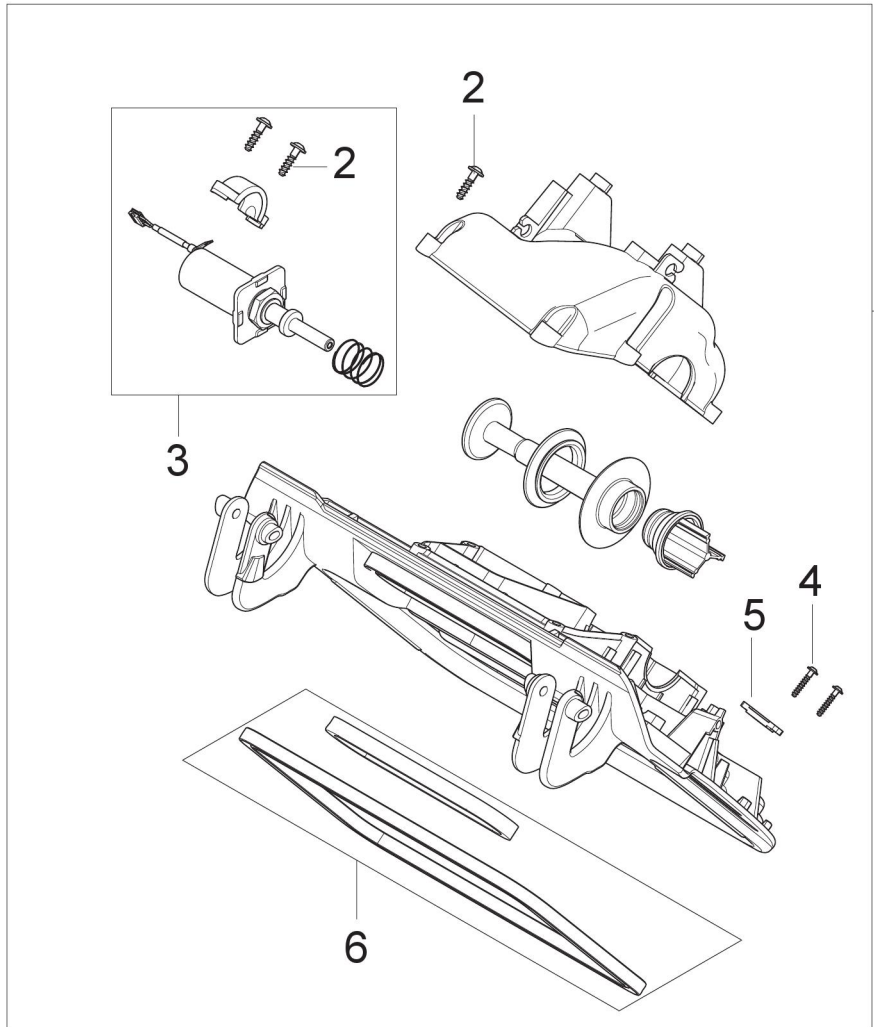
Nilfisk [2019/November]/Vacuum Cleaners/Industrial Vacuum Cleaners/Singlephase for hazardous
dusts/VHS 40/42 M-H/VHS 40/42 M (101301299440851390N)/Cabinet and control panel VHS 42 PC H-M
2M-PC



Nilfisk [2019/November]/Vacuum Cleaners/Industrial Vacuum Cleaners/Singlephase for hazardous
dusts/VHS 40/42 M-H/VHS 40/42 M (101301299440851390N)/Cabinet and control panel VHS 42 PC H-M

PTR	PTR_PARENT	COLOR	SOURCE_OB	No.	Part No.	Qty.	Description
0			909100239	1	90910023	1	TURNING KNOB GR.1 D6X5 VORTEX LIGHT
1			32526	2	32526	1	TREAD-CUTTING SCREW 2.9X19 C ISO 148
2			9868	3	9868	1	O-RING 10,2x2,5 NBR 70SH
3			107415076	4	10741507	1	ROTARY SWITCH 3 POS 16A
4			107415024	5	10741502	2	POTENTIOMETER W. WIRE
5			107415080	6	10741508	1	CAP FOR POT-METER
6			3004221	7	3004221	1	O-RING 16x2 NBR 70SH
7			107415062	8	10741506	1	TURNING KNOB D28 BLACK
8			302004034	9	30200403	1	SOCKET 16A/250V EU
9			302001185	9	30200118	1	SOCKET 10A/250V AU
10			107415087	10	10741508	1	LED INDICATOR KIT 2 PCS.
11			302004029	11	30200402	17	SCREW PT50X18
12			107417556	12	10741755	1	CONTROL PANEL 21 PC M-H RAL 7001
13			107417557	13	10741755	1	TOP COVER RAL 7016 W. PRINT VHS 42
14			128500203	14	12850020	3	SCREW K50X45 WN1451 SP
15			107415038	15	10741503	1	HANDLE KIT BLACK
16			107417558	16	10741755	1	PC-BUTTON RAL 7001
17			107411345	17	10741134	1	SPRING FOR BUTTON
18			107417549	18	10741754	1	HATCHBACK UPPER COVER PC RAL 7016
19			107415035	19	10741503	1	CORD STRAP KIT
20			107415032	20	10741503	1	HATCH DOOR CLAMP KIT BLACK
21			107418122	20	10741812	1	HATCH DOOR CLAMP 2X SPRING KIT BLAC
22			107417555	21	10741755	1	HATCHBACK LOWER COVER RAL 7016
23			107415083	22	10741508	1	HOSE/CABLE HOOK BLACK 1 PCS.
24			107415077	23	10741507	1	LABEL KIT FOR CONTROL PANEL 8 PCS.

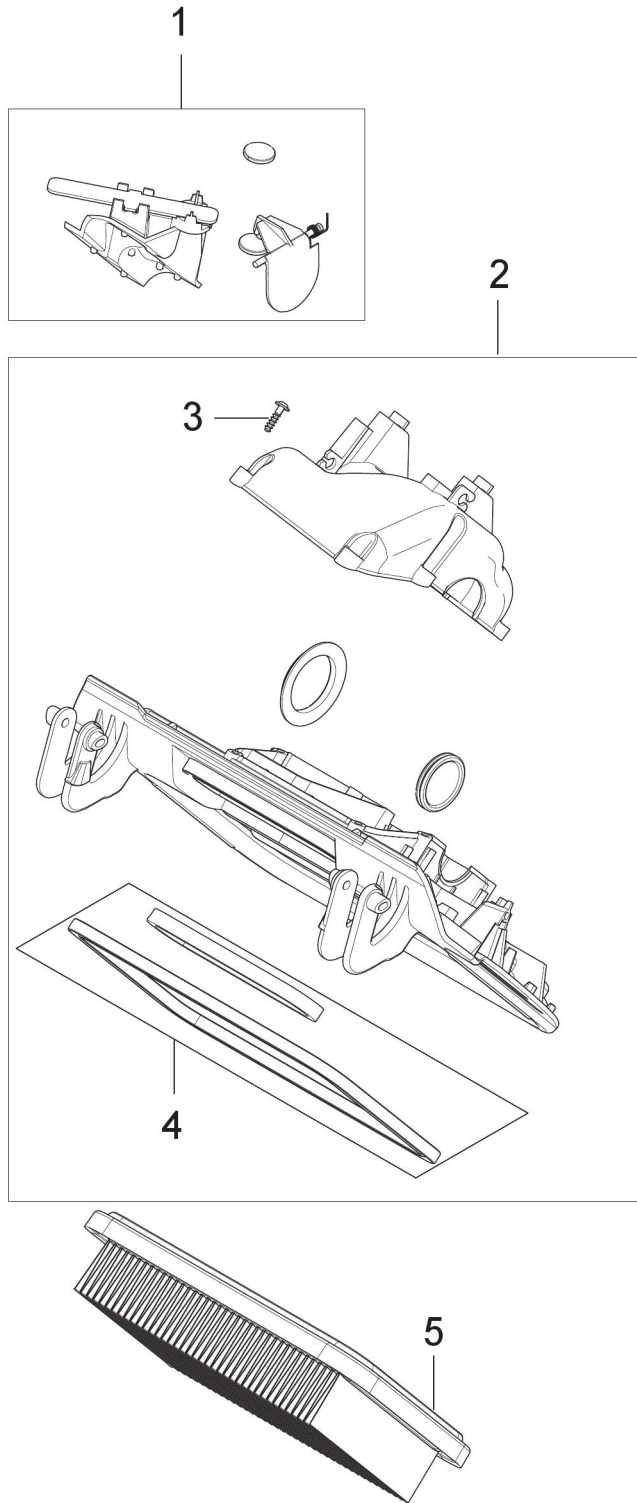
Nilfisk [2019/November]/Vacuum Cleaners/Industrial Vacuum Cleaners/Singlephase for hazardous dusts/VHS 40/42 M-H/VHS 40/42 M (101301299440851390N)/Filter system IC



Nilfisk [2019/November]/Vacuum Cleaners/Industrial Vacuum Cleaners/Singlephase for hazardous
dusts/VHS 40/42 M-H/VHS 40/42 M (101301299440851390N)/Filter system IC

PTR	PTR_PARENT	COLOR	SOURCE_OBJ	No.	Part No.	Qty.	Description
0			107415027	1	107415027	1	HATCH DOOR FRAME WITH SEALING I
1			107417859	1	107417859	1	CONJUNTO FALDON IZQUIERDO
2			302004029	2	302004029	15	SCREW PT50X18
3			107415031	3	107415031	1	SOLENOID KIT 220-240V
4			107415079	3	107415079	1	SOLENOID KIT 100-120V
5			302004032	4	302004032	2	SCREW PT35X18
6			5697	5	5697	1	STRAP 3X8X33
7			107415090	6	107415090	1	HATCH DOOR FILTER GASKET KIT
8			107413540	7	107413540	1	FLAT FILTER PTFE M-CLASS 1 PCS

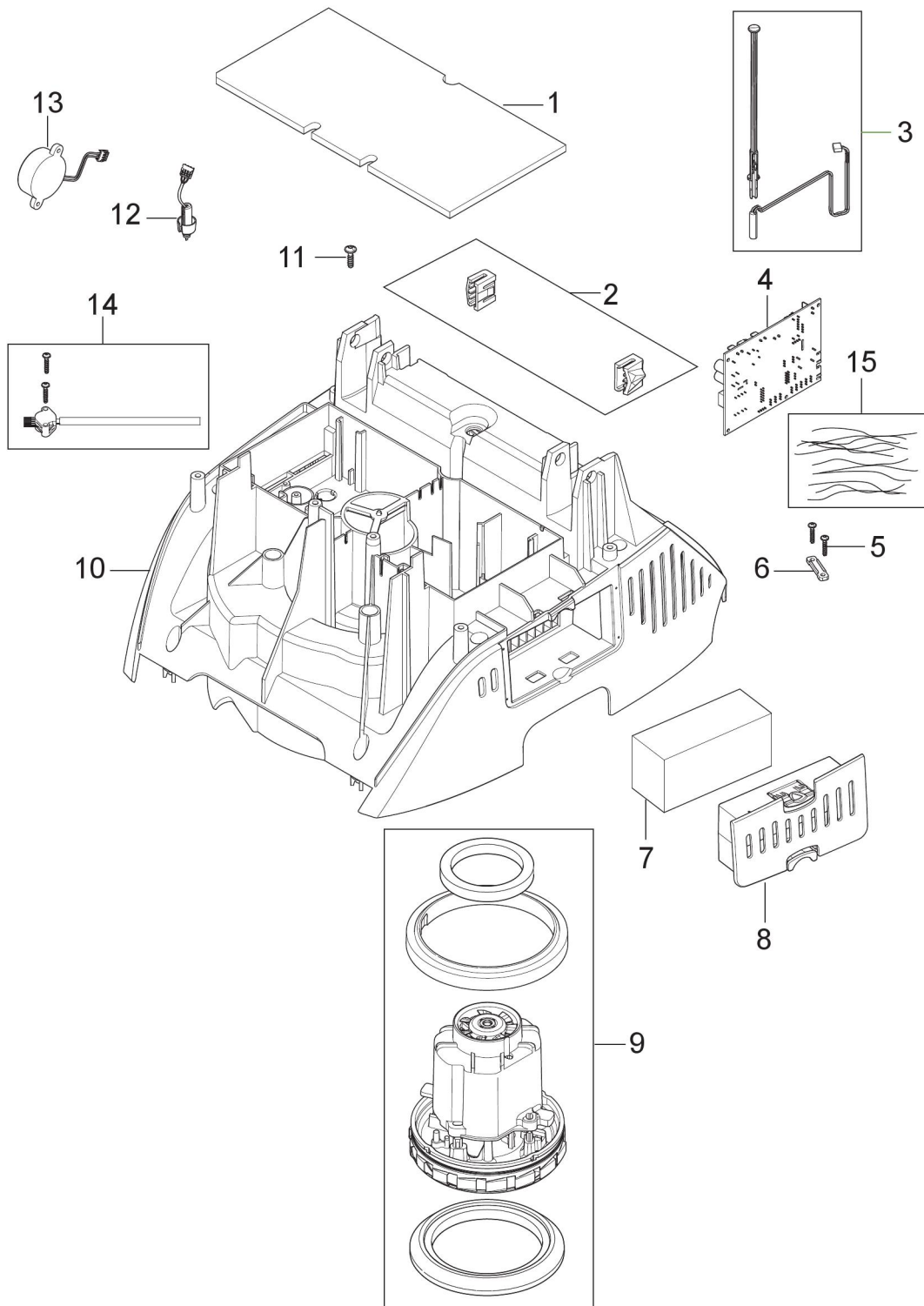
Nilfisk [2019/November]/Vacuum Cleaners/Industrial Vacuum Cleaners/Singlephase for hazardous dusts/VHS 40/42 M-H/VHS 40/42 M (101301299440851390N)/Filter system PC



Nilfisk [2019/November]/Vacuum Cleaners/Industrial Vacuum Cleaners/Singlephase for hazardous
dusts/VHS 40/42 M-H/VHS 40/42 M (101301299440851390N)/Filter system PC

PTR	PTR_PARENT	COLOR	SOURCE_OBJ	No.	Part No.	Qty.	Description
0			107415064	1	107415064	1	PC FLAP-LEVER KIT
1			107415026	2	107415026	1	HATCH DOOR FRAME WITH SEALING P
2			302004029	3	302004029	7	SCREW PT50X18
3			107415090	4	107415090	1	HATCH DOOR FILTER GASKET KIT
4			107413540	5	107413540	1	FLAT FILTER PTFE M-CLASS 1 PCS

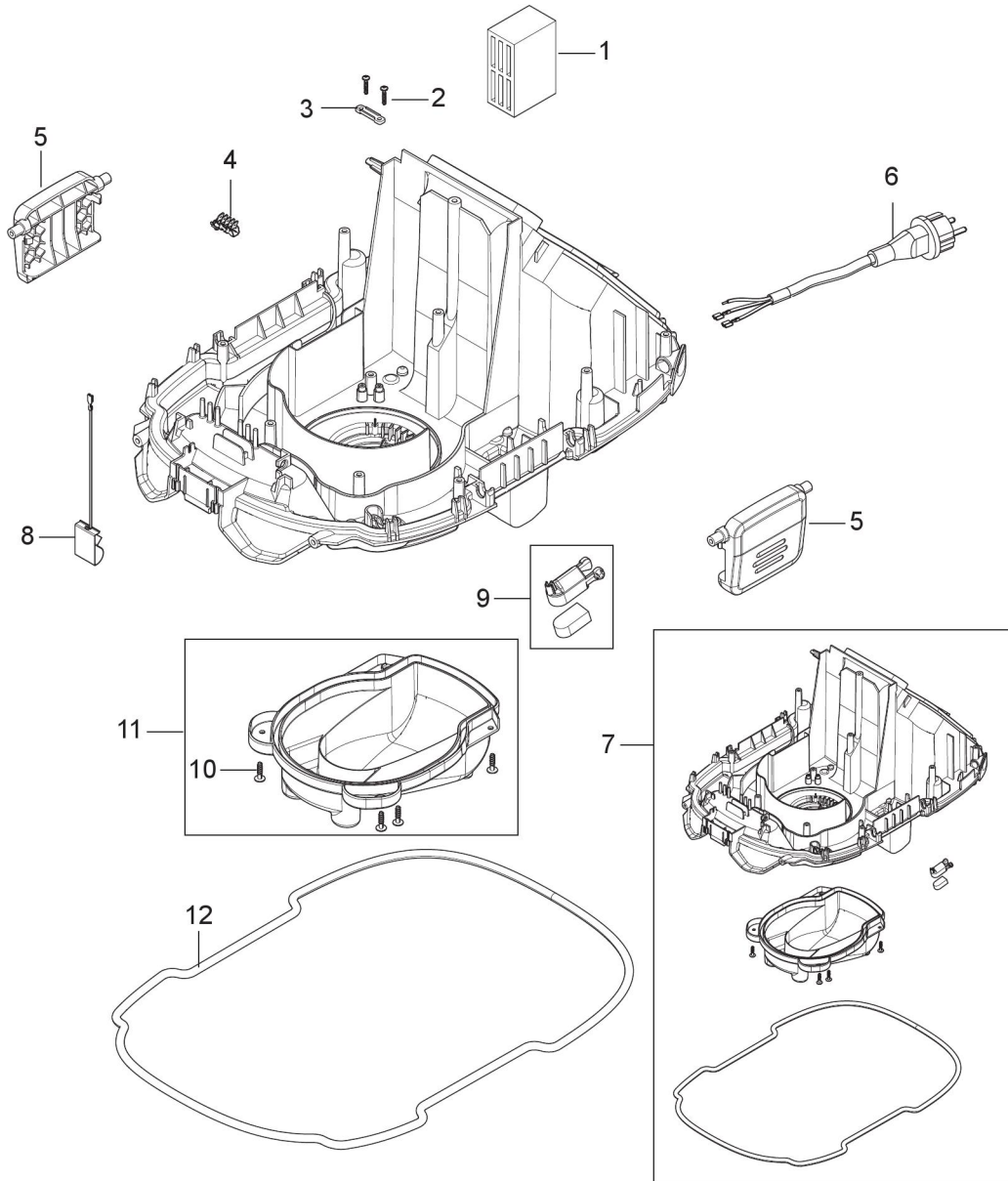
Nilfisk [2019/November]/Vacuum Cleaners/Industrial Vacuum Cleaners/Singlephase for hazardous dusts/VHS 40/42 M-H/VHS 40/42 M (101301299440851390N)/Suction unit H-M



Nilfisk [2019/November]/Vacuum Cleaners/Industrial Vacuum Cleaners/Singlephase for hazardous
dusts/VHS 40/42 M-H/VHS 40/42 M (101301299440851390N)/Suction unit H-M

PTR	PTR_PARENT	COLOR	SOURCE_OB	No.	Part No.	Qty.	Description
0			107417101	1	10741710	1	FOAM SEALING 298X148
1			107415075	2	10741507	1	HATCH DOOR HINGE SNAP 2 PCS.
2			107415060	3	10741506	1	REED SENSOR WITH APPLICATOR
3			107415059	4	10741505	1	PCBA AUTO ON/OFF M 1M1S P3 220-240V
4			107417103	4	10741710	1	PCBA AUTO ON/OFF AFC M 1M1S P3 220-2
5			107417105	4	10741710	1	PCBA AUTO ON/OFF H 1M1S P3 220-240V
6			107417106	4	10741710	1	PCBA AUTO ON/OFF AFC H 1M1S P3 220-2
7			302004032	5	30200403	2	SCREW PT35X18
8			302004030	6	30200403	1	STRAP FOR CABLE
9			107415096	7	10741509	1	DIFFUSOR 55X115X45 BLACK
10			107417564	8	10741756	1	COVER F. MOTORCOOLING FILTER RAL 70
11			107415055	9	10741505	1	MOTOR KIT 1200W 220-240V 50/60HZ
12			107417855	10	10741785	1	AIRGUIDE M/H RAL 7016
13			302004029	11	30200402	9	SCREW PT50X18
14			107416952	12	10741695	1	FLOW SENSOR W. WIRE KIT
15			107416958	13	10741695	1	BUZZER KIT1
16			107417111	14	10741711	1	PRESSURE SENSOR FILTER MONITORING K
17			107417863	15	10741786	1	WIRE/CAPACITOR KIT6

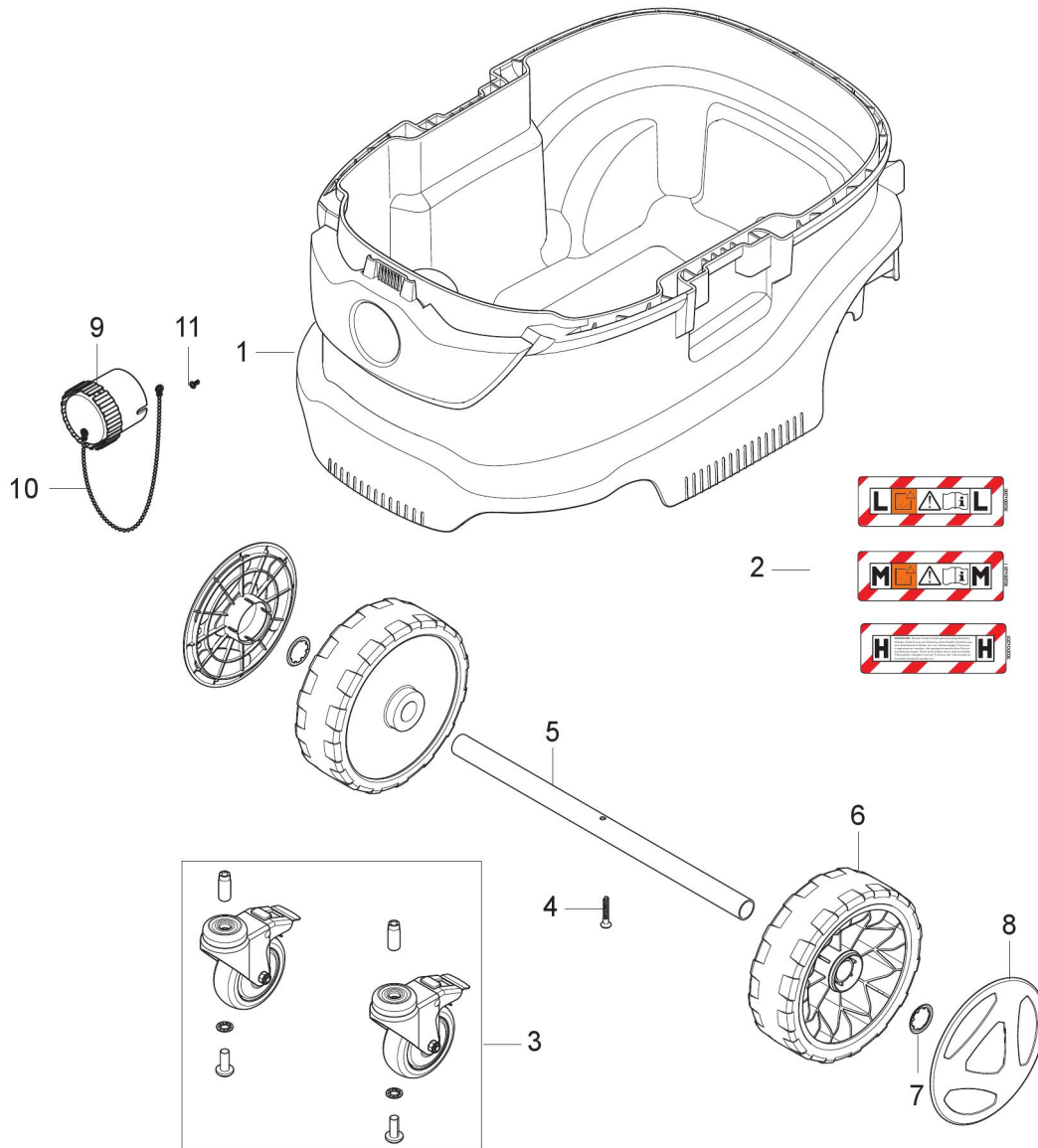
Nilfisk [2019/November]/Vacuum Cleaners/Industrial Vacuum Cleaners/Singlephase for hazardous dusts/VHS 40/42 M-H/VHS 40/42 M (101301299440851390N)/Base_M_L



Nilfisk [2019/November]/Vacuum Cleaners/Industrial Vacuum Cleaners/Singlephase for hazardous
dusts/VHS 40/42 M-H/VHS 40/42 M (101301299440851390N)/Base_M_L

PTR	PTR_PARENT	COLOR	SOURCE_OB	No.	Part No.	Qty.	Description
0			107417112	1	10741711	1	SOUND ABSORBER 83X55X35
1			302004032	2	30200403	2	SCREW PT35X18
2			302004030	3	30200403	1	STRAP FOR CABLE
3			302004031	4	30200403	1	DISTRIBUTION STRIP 6-POL 16A
4			107415053	5	10741505	2	CONTAINER CLAMP BLACK
5			107400573	6	10740057	1	VR 1.4
6			302004333	6	30200433	1	POWER CORD H05RR-F 3G1.5X8.4 AS3112
7			302004332	6	30200433	1	POWER CORD SJTW-A AWG14/3X8.4 US
8			107415074	7	10741507	1	BASE PLATE ASSEMBLY KIT
9			107417113	8	10741711	1	CONTACT SPRING W. WIRE
10			107415063	9	10741506	1	FLOATER WITH MAGNET
11			1814614	10	1814614	4	PT-SCREW K50X18 T20 WN1451 - A2
12			107415061	11	10741506	1	AIR FLOW COVER KIT BLACK
13			107415050	12	10741505	1	CONTAINER SEALING

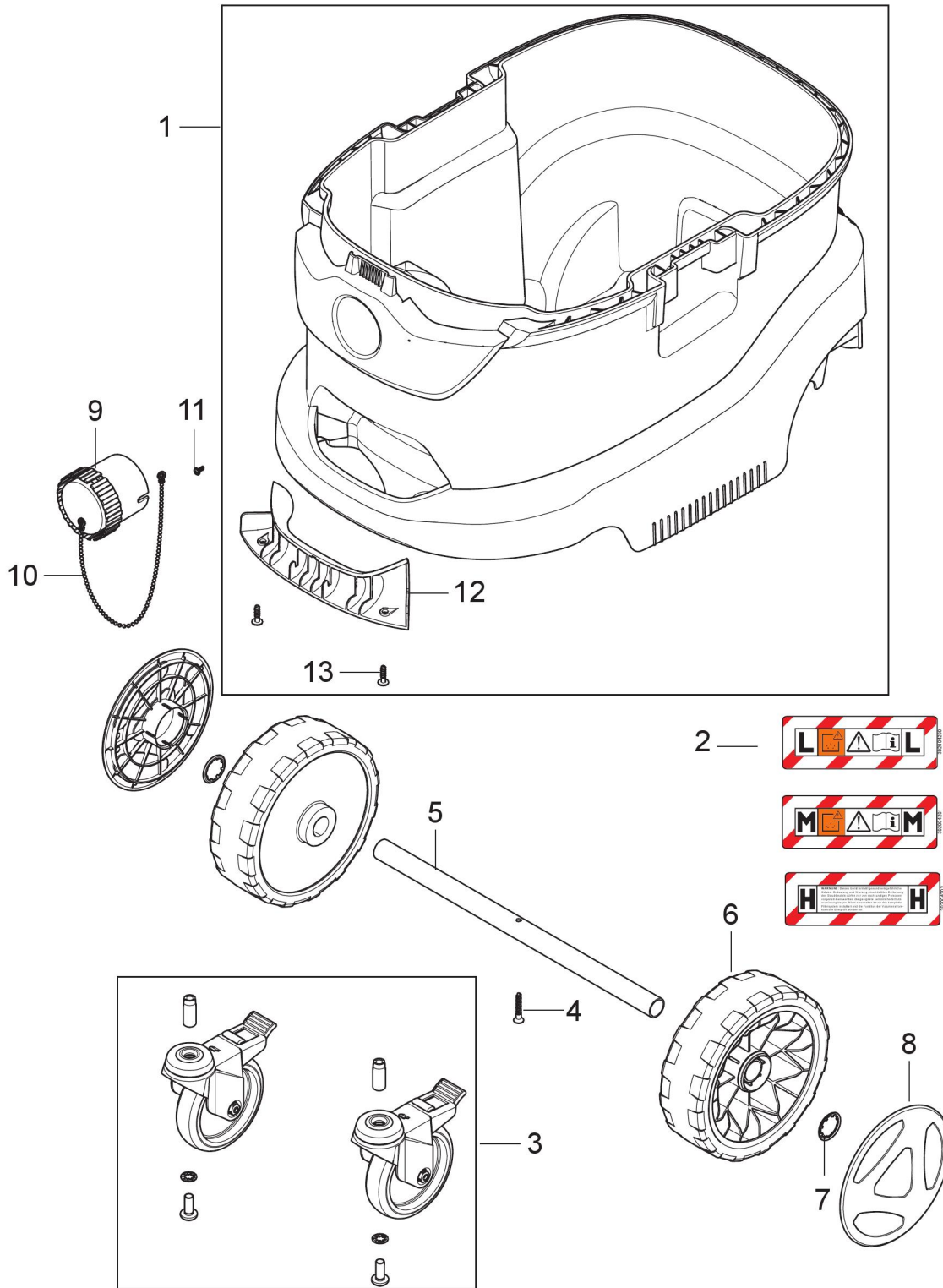
Nilfisk [2019/November]/Vacuum Cleaners/Industrial Vacuum Cleaners/Singlephase for hazardous dusts/VHS 40/42 M-H/VHS 40/42 M (101301299440851390N)/Container 30L



Nilfisk [2019/November]/Vacuum Cleaners/Industrial Vacuum Cleaners/Singlephase for hazardous
dusts/VHS 40/42 M-H/VHS 40/42 M (101301299440851390N)/Container 30L

PTR	PTR_PARENT	COLOR	SOURCE_OBJ	No.	Part No.	Qty.	Description
0			107417568	1	107417568	1	CONTAINER 30L RAL 7001
1			107417569	1	107417569	1	CONTAINER 30L SAFETY H RAL 7001
2			107417119	2	107417119	1	LABEL DUSTCLASS L 130X44 PVC
3			107401291	2	107401291	1	LABEL DUSTCLASS M 130X44 PVC
4			107401548	2	107401548	1	LABEL DUSTCLASS H 130X44 PVC
5			107417120	3	107417120	1	CASTOR WHEEL D75 WITH BRAKE 2 PC
6			107417864	4	107417864	1	SCREW WN1423 K50X35 BLACK TORX K
7			302004022	5	302004022	1	WHEEL AXLE
8			107417121	6	107417121	2	WHEEL D175 BLACK
9			47302	7	47302	2	CLAMPING RING 28.6 20
10			107417570	8	107417570	2	WHEEL CAP D145 RAL 7001
11			14775	9	14775	1	HOSE INLET PLUG 50MM
12			30081	10	30081	1	BEAD CHAIN 150MM WITH EYES ST/
13			24738	11	24738	1	SCREW KA35X 8 WN1411

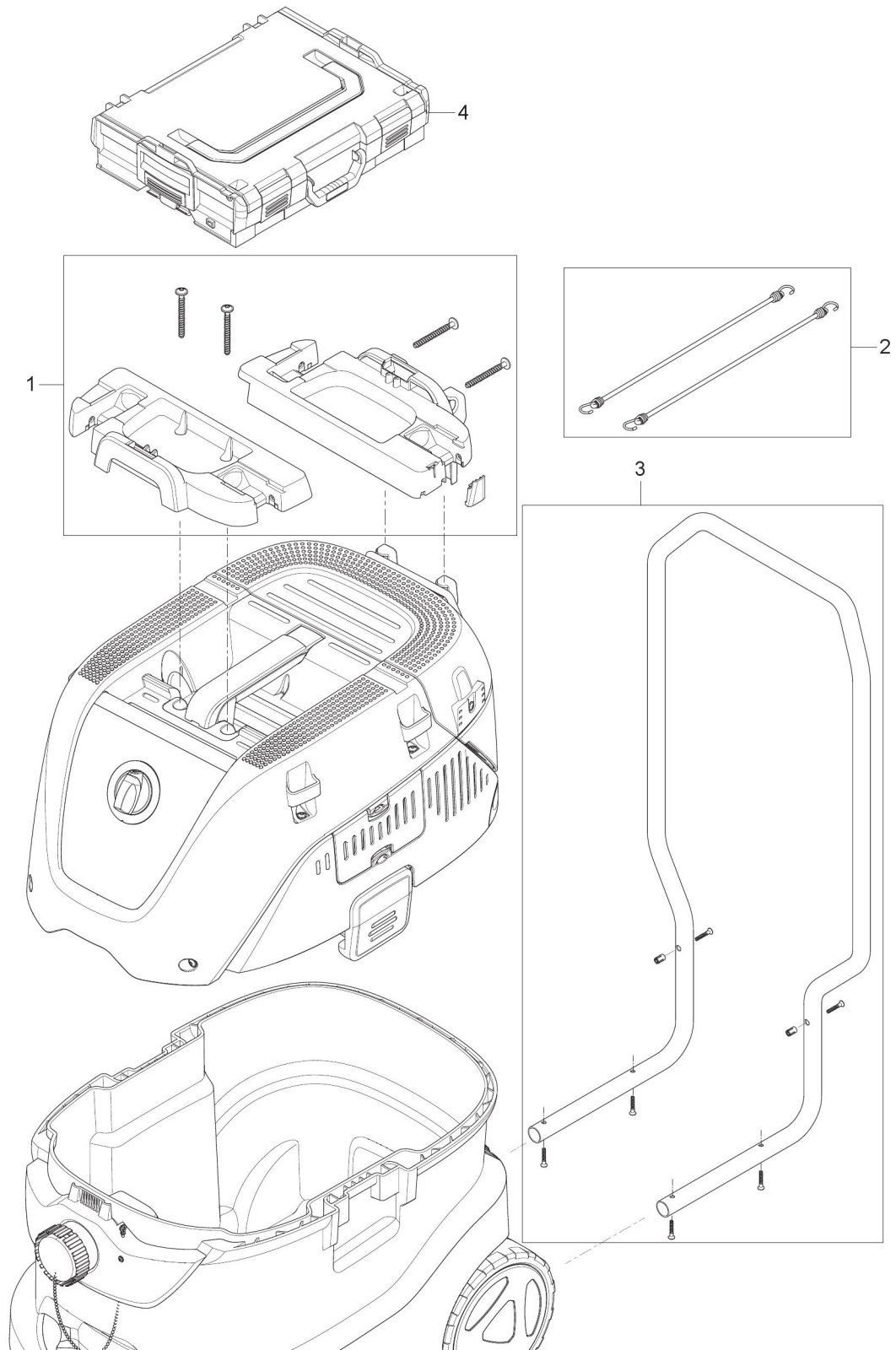
Nilfisk [2019/November]/Vacuum Cleaners/Industrial Vacuum Cleaners/Singlephase for hazardous dusts/VHS 40/42 M-H/VHS 40/42 M (101301299440851390N)/Container 42L



Nilfisk [2019/November]/Vacuum Cleaners/Industrial Vacuum Cleaners/Singlephase for hazardous
dusts/VHS 40/42 M-H/VHS 40/42 M (101301299440851390N)/Container 42L

PTR	PTR_PARENT	COLOR	SOURCE_OBJ	No.	Part No.	Qty.	Description
0			107417571	1	10741757	1	CONTAINER 42L KIT RAL 7001
1			107417572	1	10741757	1	CONTAINER 42L KIT SAFETY H RAL 7001
2			107417119	2	10741711	1	LABEL DUSTCLASS L 130X44 PVC
3			107401291	2	10740129	1	LABEL DUSTCLASS M 130X44 PVC
4			107401548	2	10740154	1	LABEL DUSTCLASS H 130X44 PVC
5			107417573	3	10741757	1	CASTOR WHEEL D100 WITH BRAKE 2 PC
6			107417864	4	10741786	1	SCREW WN1423 K50X35 BLACK TORX KI
7			302004022	5	30200402	1	WHEEL AXLE
8			107417121	6	10741712	2	WHEEL D175 BLACK
9			47302	7	47302	2	CLAMPING RING 28.6 20
10			107417570	8	10741757	2	WHEEL CAP D145 RAL 7001
11			14775	9	14775	1	HOSE INLET PLUG 50MM
12			30081	10	30081	1	BEAD CHAIN 150MM WITH EYES ST/
13			24738	11	24738	1	SCREW KA35X 8 WN1411
14			107417124	12	10741712	1	HANDLE INNER FOR CONTAINER 42L BL
15			302004029	13	30200402	2	SCREW PT50X18

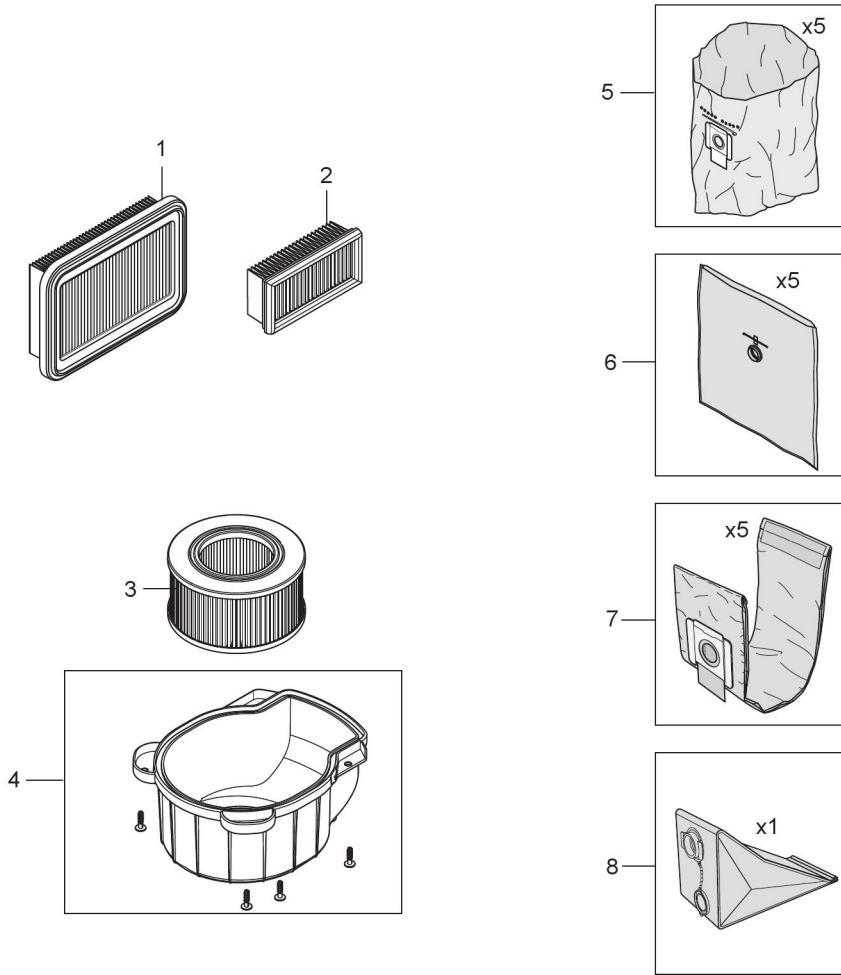
Nilfisk [2019/November]/Vacuum Cleaners/Industrial Vacuum Cleaners/Singlephase for hazardous dusts/VHS 40/42 M-H/VHS 40/42 M (101301299440851390N)/Accessories



Nilfisk [2019/November]/Vacuum Cleaners/Industrial Vacuum Cleaners/Singlephase for hazardous
dusts/VHS 40/42 M-H/VHS 40/42 M (101301299440851390N)/Accessories

PTR	PTR_PARENT	COLOR	SOURCE_OBJ	No.	Part No.	Qty.	Description
0			107413551	1	107413551	1	ADAPTER PLATE KIT
1			107413553	2	107413553	1	FLEXIBLE STRAP SET 2 PCS
2			107413552	3	107413552	1	TROLLEY HANDLE KIT
3			107413554	4	107413554	1	STORAGE L-BOXX KIT W. DUSTBAG

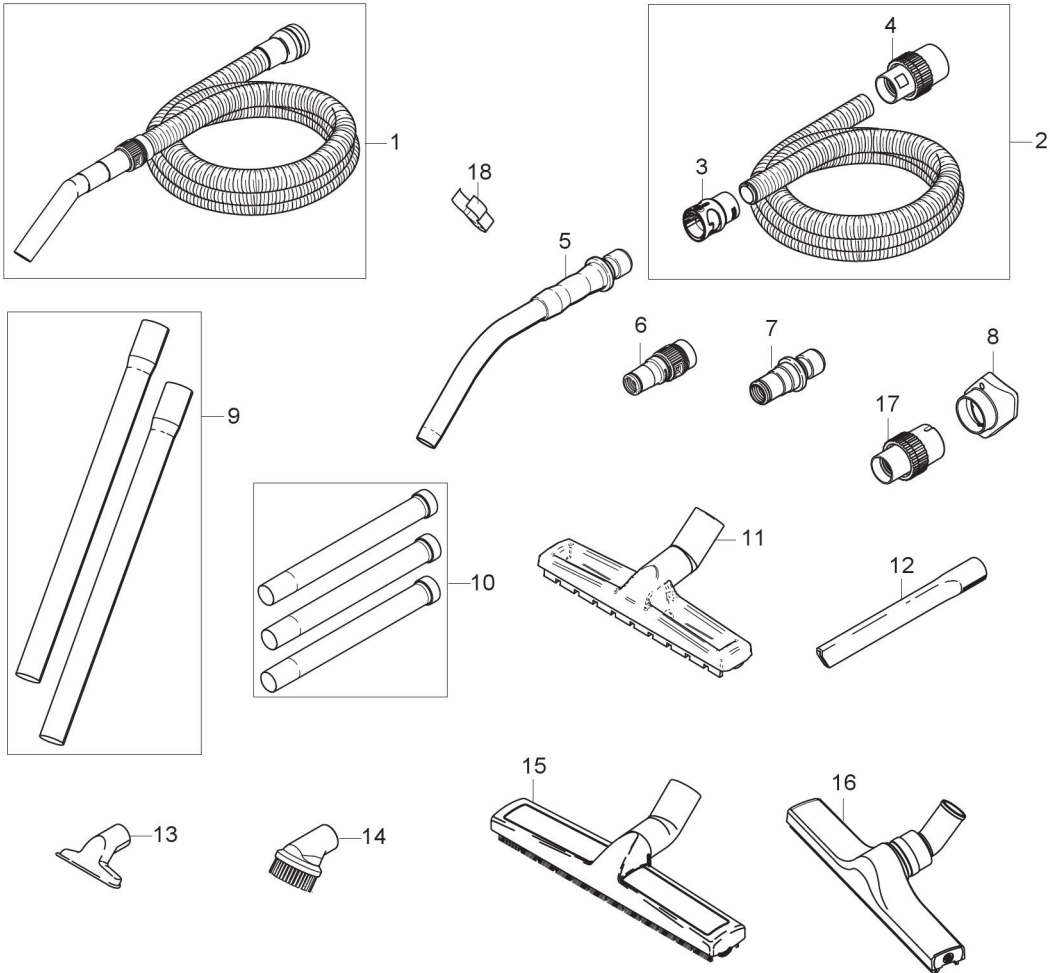
Nilfisk [2019/November]/Vacuum Cleaners/Industrial Vacuum Cleaners/Singlephase for hazardous dusts/VHS 40/42 M-H/VHS 40/42 M (101301299440851390N)/Filter and bags



Nilfisk [2019/November]/Vacuum Cleaners/Industrial Vacuum Cleaners/Singlephase for hazardous
dusts/VHS 40/42 M-H/VHS 40/42 M (101301299440851390N)/Filter and bags

PTR	PTR_PARENT	COLOR	SOURCE_OBJ	No.	Part No.	Qty.	Description
0			107413540	1	10741354	1	FLAT FILTER PTFE M-CLASS 1 PCS
1			107413541	2	10741354	1	MOTOR COOLING AIR FILTER PET 1 PCS
2			107413555	3	10741355	1	FILTER ELEMENT Ø140X75 H-CLASS/HEP
3			107413542	4	10741354	1	HEPA FILTER COVER KIT
4			107417821	5	10741782	1	DISPOSAL BAG ATTIX 33/44 5 PCS
5			107413549	6	10741354	1	SAFETY FILTER BAG H ATTIX 33/44. 5 PC
6			1 107413547	7	10741354	1	FLEECE FILTER BAG 5 PCS ATTIX 33/44
	7	6	2 107419593		10741959		FLEECE FILTER BAG 5 PCS ATTIX 33/
8			107413556	8	10741355	1	LONG LIFE FILTER BAG 1 PCS ATTIX 33/

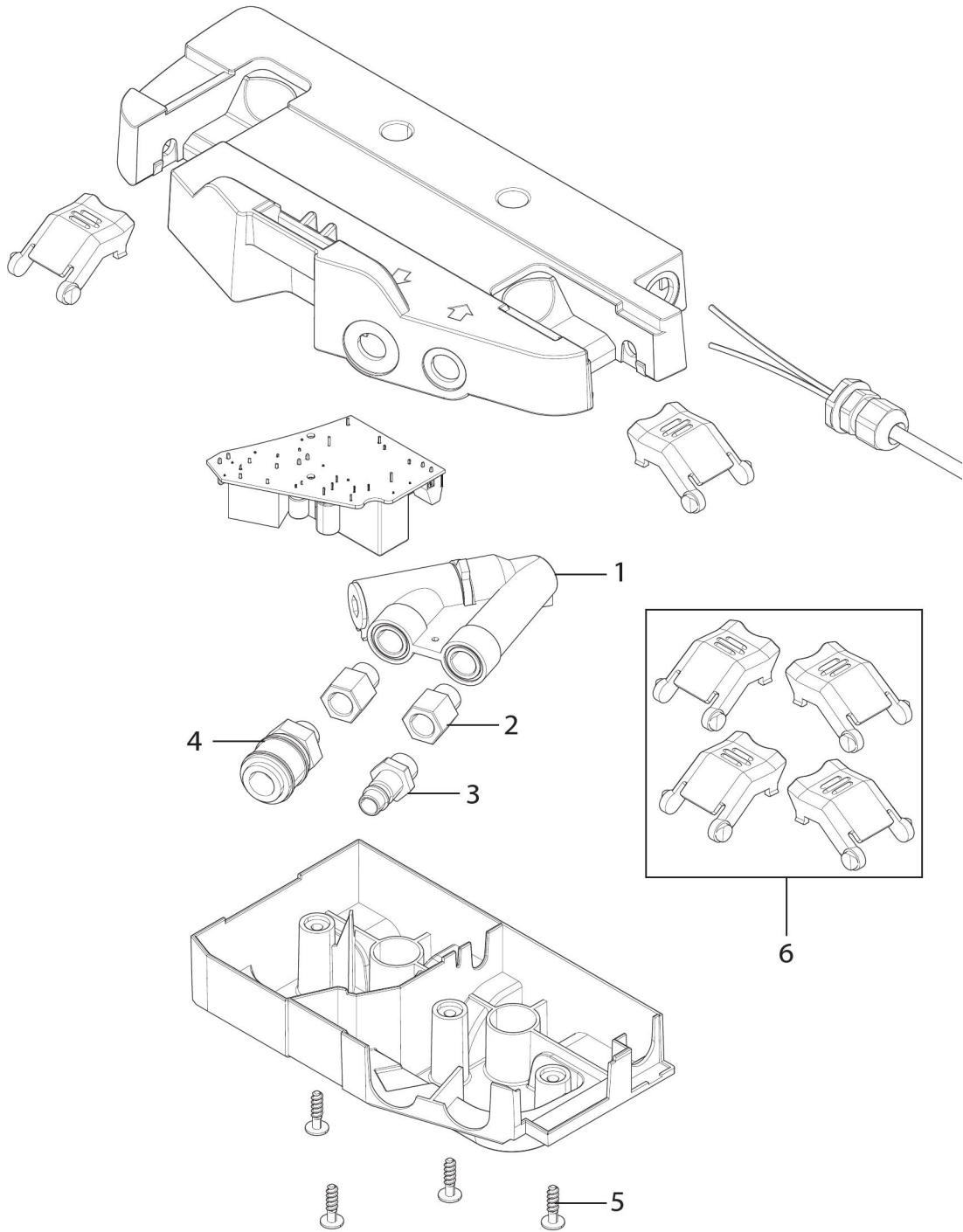
Nilfisk [2019/November]/Vacuum Cleaners/Industrial Vacuum Cleaners/Singlephase for hazardous dusts/VHS 40/42 M-H/VHS 40/42 M (101301299440851390N)/Hoses, tubes and nozzles



Nilfisk [2019/November]/Vacuum Cleaners/Industrial Vacuum Cleaners/Singlephase for hazardous
dusts/VHS 40/42 M-H/VHS 40/42 M (101301299440851390N)/Hoses, tubes and nozzles

PTR	PTR_PAREN	COLOR	SOURCE_OB	No.	Part No.	Qty.	Description
0			107409976	1	10740997	1	UNIV HOSE WITH HAND TUBE D32X3500 CP
1			107413543	2	10741354	1	HOSE Ø32X4000MM AS RED
2			107413544	2	10741354	1	HOSE Ø36X4000 MM AS RED
3			107417868	3	10741786	1	HOSE SLEEVE Ø38 AS QUICKSYSTEM
4			107417867	3	10741786	1	HOSE SLEEVE Ø36 AS QUICKSYSTEM
5			107417866	3	10741786	1	HOSE SLEEVE Ø32 AS QUICKSYSTEM
6			30928	4	30928	1	SLEEVE CPL - VACUUM SIDE - D50/D32 CON
7			15812	4	15812	1	SLEEVE CPL - VACUUM SIDE - D50/D36 CON
8			46691	5	46691	1	CURVED HAND TUBE Ø36MM SS
9			107409977	6	10740997	1	TOOL ADAPTER WITH SUCTION REGULATIO
10			302000535	7	30200053	1	TOOL ADAPTER D27 QUICKSYSTEM
11			107417865	8	10741786	1	EXHAUST AIR ADAPTER KIT
12			302000529	9	30200052	1	EXTENSION TUBE D36 2X505MM ST/CR
13			107408074	9	10740807	1	EXTENSION TUBE Ø36 2X505MM SS
14			107416995	10	10741699	1	EXTENSION TUBE D36 3X350 MM SS
15			302002331	11	30200233	1	FLOOR NOZZLE Ø36X300MM
16			6084	12	6084	1	CREVICE NOZZLE Ø36X300 PP
17			29541	12	29541	1	CREVICE NOZZLE D36X200
18			14295	13	14295	1	UNIVERSAL NOZZLE D36X115
19			302002509	14	30200250	1	SUCTION BRUSH D36 BLACK
20			1 60356	15	60356	1	FLOOR NOZZLE Ø36X360MM WET/DRY
	21	20	2 107419503		107419503		FLOOR NOZZLE D36X400MM W/
22			302003666	16	30200366	1	FLOOR NOZZLE D36X400MM W/D
23			42955	17	42955	1	HOSE SLEEVE Ø50/50 CONDUCTIVE TYPE 22
24			48375	18	48375	1	HOSE CLIP FOR CORD FIXATION Ø27-38 MM

Nilfisk [2019/November]/Vacuum Cleaners/Industrial Vacuum Cleaners/Singlephase for hazardous dusts/VHS 40/42 M-H/VHS 40/42 M (101301299440851390N)/Airbox



Nilfisk [2019/November]/Vacuum Cleaners/Industrial Vacuum Cleaners/Singlephase for hazardous
dusts/VHS 40/42 M-H/VHS 40/42 M (101301299440851390N)/Airbox

PTR	PTR_PARENT	COLOR	SOURCE_OBJE	No.	Part No.	Qty.	Description
0			107416370	0	107416370	1	AIRBOX KIT 220-240V 50/60HZ EU
1			107418781		107418781	1	AIRBOX KIT 110-120V 50/60HZ US
2			107402622	1	107402622	1	FLOW VALVE KIT FOR AIRBOX
3			25437	2	25437	2	NIPPLE G1/4-R1/4
4			14809	3	14809	1	COUPLING MALE G1/4
5			14808	4	14808	1	COUPLING FEMALE G1/4
6			302004029	5	302004029	4	SCREW PT50X18
7			107415054	6	107415054	1	ADAPTER PLATE CLAMP - KIT