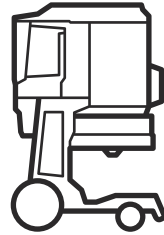




Husqvarna®



DE 110S, DE 110, DE 120

EN	Operator's manual
ES-MX	Manual de usuario
FR-CA	Manuel d'utilisation

2-29
30-60
61-91

Contents

Introduction.....	2	Transportation, storage and disposal.....	23
Safety.....	5	Technical data.....	26
Operation.....	9	Warranty.....	28
Maintenance.....	16	Registered trademarks.....	29
Troubleshooting.....	21		

Introduction

Owner responsibility



WARNING: Processing of concrete and stone by methods such as cutting, grinding or drilling, especially during dry operation, generates dust that comes from the material being processed, which frequently contains silica. Silica is a basic component of sand, quartz, brick clay, granite and numerous other minerals and rocks. Exposure to excessive amount of such dust can cause:

Respiratory disease (affecting your ability to breathe), including chronic bronchitis, silicosis and pulmonary fibrosis from exposure to silica. These diseases may be fatal;

Skin irritation and rash.

Cancer according to NTP* and IARC* **/ National Toxicology Program, International Agency for Research on Cancer.

Take precautionary steps:

Avoid inhalation of and skin contact with dust, mist and fumes.

Wear and ensure that all bystanders wear appropriate respiratory protection such as dust masks designed to filter out microscopic particles. (See OSHA 29 CFR Part 1926.1153)

To minimize dust emissions use an appropriate dust extractor.

It is the owner's/employer's responsibility that the operator has sufficient knowledge about how to use the product safely. Supervisors and operators must have read and understood the Operator's Manual. They must be aware of:

- The product's safety instructions.

- The product's range of applications and limitations.
- How the product is to be used and maintained.

National/Local regulations could restrict the use of this product. Find out what regulations are applicable where you work before you start using the product.

Product description

The product is a single phase dust extractor. Dust-laden air goes through the suction hose into the inlet valve. The product separates the dust particles from the air. The particles fall into the plastic bag at the bottom of the product.

Intended use



WARNING: Only use the socket outlet on the machine for purposes specified in the instructions.



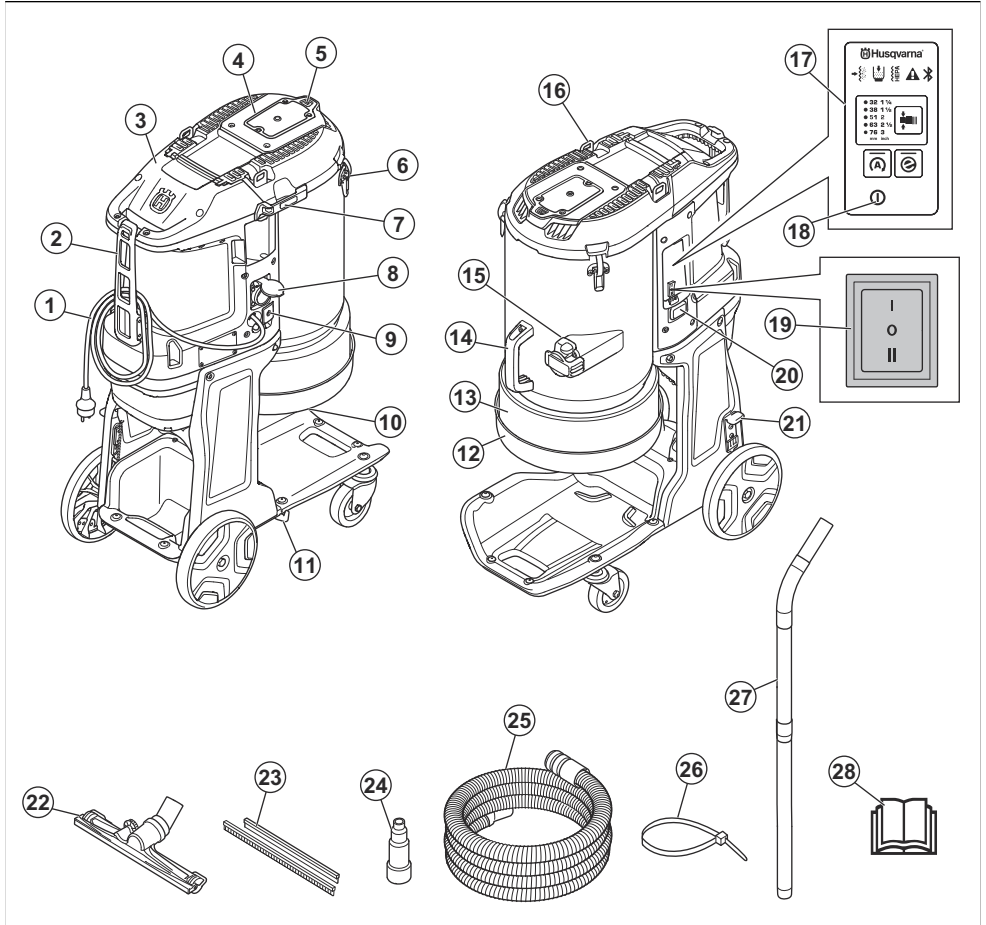
WARNING: Do not collect ignition sources, hot particles, liquids, explosive material and unstable or pyrophoric particles.

The product is for professional operations only. The product is used to collect and remove dry material from machines and devices. The material can be dangerous and harmful to health, refer to the dust class H in EN 60335-2-69.

You can connect an electric power tool to DE 110 230V with the power outlet. Make sure that the power consumption (W) of the power tool is not more than the maximum power consumption (W) identified on the power outlet.

Do not use the product for other tasks. Only use the product with accessories that are approved by the manufacturer.

Product overview



- | | |
|--|---|
| <ul style="list-style-type: none"> 1. Cable 2. Fastener for cable and dust extraction hose 3. HEPA filter cover 4. Prefilter cover 5. Filter purge button 6. Cover lock 7. Toggle fastener for the handle pipe 8. Auxiliary outlet for auxiliary power tools (only 220-230V, DE 110S/DE 110) 9. Main switch (DE 110/DE120) 10. Dust release rubber cone 11. Wand bracket 12. Longopac holder 13. Longopac 14. Handle | <ul style="list-style-type: none"> 15. Hose connector 16. Lifting eye 17. Control panel, refer to <i>Functions of the control panel on page 12</i> (DE 110/DE120) 18. On/Off (DE 110/DE120) 19. On/Off/Auto (DE 110S) 20. Hour meter (DE 110/DE120) 21. Wheel brake 22. Floor nozzle 23. Rubber strips 24. Multi adapter (DE 110S/DE 110) 25. Dust extraction hose 26. Cable tie 27. Wand 28. Operator's manual |
|--|---|

Symbols on the product



WARNING: This product can be dangerous and cause serious injury or death to the operator or others. Be careful and use the product correctly.



Read the manual carefully and make sure that you understand the instructions before you use the product.



Use hearing protection, eye protection and respiratory protection. Refer to *Personal protective equipment on page 7*.



Do not use metal hooks, chains or other lifting equipment with rough edges that can cause damage to the lifting eye. Only use soft lifting straps.



The electrical grounding point on this product is identified by the ground symbol. Refer to *Grounded product instructions on page 9*



The product is not domestic waste. Recycle it at an approved disposal location for electrical and electronic equipment.



If the product features Bluetooth® wireless technology, the Bluetooth® symbol is on the product. Refer to *Bluetooth® wireless technology on page 11*.

Note: Other symbols/decals on the product refer to special certification requirements for some markets.

Embedded connectivity

The cloud asset management solution Husqvarna Fleet Services™ gives the fleet manager an overview of all products that are connected via either embedded or aftermarket sensors. The position of the gateway or smartphone can be used to indicate the location of connected products. The sensors record data like runtime, service intervals and more. For more information about the cloud asset management solution Husqvarna Fleet Services™, download the iOS or Android app Husqvarna Fleet Services at <https://apps.apple.com/se/app/husqvarna-fleet-services/id1334672726> or <https://play.google.com/store/apps/details?id=com.husqvarna.hfsmobile&hl=en>. Speak to your Husqvarna sale representative for more information.

Some types of this product are connected via the embedded Husqvarna Fleet Services™ sensor that has the Bluetooth Low Energy (BLE) function. For more

information regarding how to use it, refer to *To use embedded connectivity with fleet on page 11*. For information about the BLE technology radio spectrum, refer to *Embedded connectivity on page 27*. For compliance reservations regarding Husqvarna Fleet Services™, refer to *Compliance reservations on page 4*.

Compliance reservations

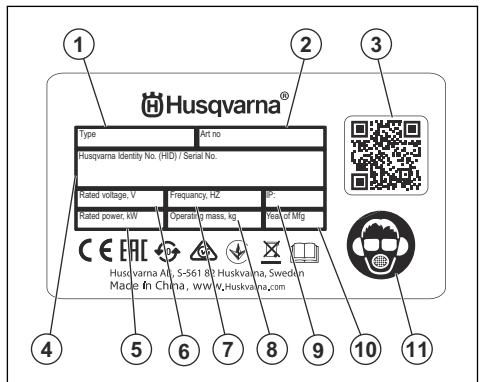
Note: Changes or modifications made to this equipment not expressly approved by Husqvarna may void the equipment's compliance with FCC regulations, and limit the user's authority to operate the equipment.

Note: This device complies with Part 15 of the FCC Rules and with Industry Canada licence-exempt RSS standard(s).

Operation is subject to the following two conditions:

- this device may not cause harmful interference
- this device must accept any interference received, including interference that may cause undesired operation

Type plate



1. Model
2. Article number
3. Scannable code
4. Serial number
5. Rated power or current (A)
6. Rated voltage
7. Frequency
8. Weight
9. IP class
10. Production year
11. Personal protective equipment

Product liability

As referred to in the product liability laws, we are not liable for damages that our product causes if:

- the product is incorrectly repaired.
- the product is repaired with parts that are not from the manufacturer or not approved by the manufacturer.

- the product has an accessory that is not from the manufacturer or not approved by the manufacturer.
- the product is not repaired at an approved service center or by an approved authority.

Safety

Safety definitions

Warnings, cautions and notes are used to point out specially important parts of the manual.



WARNING: Used if

there is a risk of injury or death for the operator or bystanders if the instructions in the manual are not obeyed.



CAUTION: Used if there

is a risk of damage to the product, other materials or the adjacent area if the instructions in the manual are not obeyed.

Note: Used to give more information that is necessary in a given situation.

IMPORTANT SAFETY INSTRUCTIONS



WARNING: Read the

warning instructions that follow before you use the product.

- This product is a dangerous tool if you are not careful or if you use the product incorrectly. This product can cause serious injury or death to the operator or others. Before you use the product, you must read and understand the contents of this operator's manual.
- Do not let a person (including children) with reduced physical, sensory or mental capabilities use the product, unless they have been given supervision or instruction concerning use of the product by a person responsible for their safety.
- Make sure that you have experience and knowledge about the product before use.

- Make sure that all controls are off before you disconnect the power cord.
- Comply with all applicable laws and regulations.
- The operator and the employer of the operator must know and prevent the risks during operation of the product.
- Do not let a person operate the product unless they read and understand the contents of the operator's manual.
- Do not operate the product unless you receive training before use. Make sure that all operators receive training.
- Do not let a child operate the product.
- Only let approved persons operate the product.
- The operator is responsible for accidents that occur to other persons or their property.
- Do not use the product if you are tired, ill, or under the influence of alcohol, drugs or medicine.
- Always be careful and use your common sense.
- This product produces an electromagnetic field during operation. This field can under some circumstances interfere with active or passive medical implants. To decrease the risk of serious injury or death, we recommend persons with medical implants to speak to their physician and the medical implant manufacturer before operating this product.
- Keep the product clean. Make sure that you can clearly read signs and decals.
- Do not use the product if it is defective.
- Do not do modifications to this product.
- Do not operate the product if it is possible that other persons have done modifications to the product.
- Do not operate the product without necessary filters.

Work area safety

- **Keep work area clean and well lit.** Cluttered or dark areas invite accidents.
- **Do not operate the product in explosive atmospheres, such as in the presence of flammable liquids, gases or dust.** The product create sparks which may ignite the dust or fumes.
- **Keep children and bystanders away while operating the product.** Distractions can cause you to lose control.

Electrical safety



WARNING: Do not

expose the appliance to rain or wet conditions. Water entering an electric appliance will increase the risk of electric shock.

- **The plug on the supply cord of the appliance must match the outlet. Do not change the plug in any way. Do not use adapter plugs with earthed (grounded) appliances.** Unmodified plugs and matching outlets reduce risk of electric shock.
- **Insert the plug in a suitable earthed/grounded power outlet which has been correctly and safely installed and is in compliance with local regulations. If you are in doubt about the effectiveness of the power outlet's earth/ground connection, have it checked by a qualified specialist.**
- **Avoid body contact with earthed or grounded surfaces, such as pipes, radiators, cookers, stoves and refrigerators.** There is an increased risk of electric shock if your body is earthed or grounded.
- **Check to ensure that the supply cord does not lie in a puddle of water.**
- **Check the appliance's supply cord at regular intervals and have it replaced by the manufacturer or his agent if damage is found. Check extension cords at regular intervals and replace them if found to be damaged.**
- **Do not touch the supply cord or extension cord if they are damaged while working. Disconnect the supply cord plug from the power outlet.** Damaged supply cords or extension cords present a risk of electric shock.
- **Do not abuse the cord. Never use the cord for carrying, pulling or unplugging the appliance. Keep the cord away from heat, oil, sharp edges or moving parts.** Damaged or entangled cords increase the risk of electric shock.
- **When operating an electric appliance outdoors, use only extension cords of a type suitable for outdoor use.** Use of an extension cord suitable for outdoor use reduces the risk of electric shock.
- **In the event of an interruption in the electric supply, switch the appliance off and unplug it from the power outlet.**
- **Never operate the appliance when it is dirty or wet.** Dust (especially dust from conductive materials) or dampness adhering to the surface of the appliance may, under unfavorable conditions, lead to electric shock. **Dirty or dusty appliances should thus be checked by an approved service agent at regular intervals, especially if used frequently for working on conductive materials.**
- **If operating an appliance in a damp location is unavoidable, use a residual current device (RCD)**

protected supply. Use of a RCD reduces the risk of electric shock.

- Do periodic electrical safety tests on the product. Refer to local regulations for the correct procedure.

Personal safety

- **Stay alert, watch what you are doing and use common sense when operating the product. Do not use the product while you are tired or under the influence of drugs, alcohol or medication.** A moment of inattention while operating the product may result in serious personal injury.
- **Use personal protective equipment. Always wear eye protection.** Protective equipment such as dust mask, non-skid safety shoes, hard hat or hearing protection used for appropriate conditions will reduce personal injuries.
- **Prevent unintentional starting. Ensure the switch is in the off-position before connecting to power source, picking up or carrying the tool.** Carrying the product with your finger on the switch or energising product that have the switch on invites accidents.
- **Remove any adjusting key or wrench before turning the product on.** A wrench or a key left attached to a rotating part of the product may result in personal injury.
- **Do not overreach. Keep proper footing and balance at all times.** This enables better control of the product in unexpected situations.
- **Dress properly. Do not wear loose clothing or jewellery. Keep your hair and clothing away from moving parts.** Loose clothes, jewellery or long hair can be caught in moving parts.
- **If devices are provided for the connection of dust extraction and collection facilities, ensure these are connected and properly used.** Use of dust collection can reduce dust-related hazards.
- **Do not let familiarity gained from frequent use of tools allow you to become complacent and ignore tool safety principles.** A careless action can cause severe injury within a fraction of a second.

Product use and care

- **Do not force the product. Use the correct product for your application.** The correct product will do the job better and safer at the rate for which it was designed.
- **Do not use the product if the switch does not turn it on and off.** Any product that cannot be controlled with the switch is dangerous and must be repaired.
- **Disconnect the plug from the power source, if detachable, from the product before making any adjustments, changing accessories, or storing the product.** Such preventive safety measures reduce the risk of starting the product accidentally.
- **Store idle the product out of the reach of children and do not allow persons unfamiliar with the product or these instructions to operate the product.** The

product is dangerous in the hands of untrained users.

- **Maintain the product and accessories. Check for misalignment or binding of moving parts, breakage of parts and any other condition that may affect the product's operation. If damaged, have the product repaired before use.** Many accidents are caused by poorly maintained product.
- **Keep cutting tools sharp and clean.** Properly maintained cutting tools with sharp cutting edges are less likely to bind and are easier to control.
- **Use the product, accessories and tool bits etc. in accordance with these instructions, taking into account the working conditions and the work to be performed.** Use of the product for operations different from those intended could result in a hazardous situation.
- **Keep handles and grasping surfaces dry, clean and free from oil and grease.** Slippery handles and grasping surfaces do not allow for safe handling and control of the tool in unexpected situations.

Service

- Only let an approved service center do servicing and only with approved spare parts. This will keep the product safe.
- Refer to *Maintenance schedule on page 17* for more information.

Safety instructions for assembly



WARNING: Read the warning instructions that follow before you assemble the product.

- Unauthorized modifications and/or accessories may lead to serious injury or death to the user or others.
- Use only attachments as described in this manual. Use only manufacturers recommended attachments.
- Make sure that the assembly area is firm, so the product does not tip over. Risk of personal and material injury.
- Be careful, the toggle fasteners can cause damage to the operator when assembling the product.

Safety instructions for operation



WARNING: Read the warning instructions that follow before you use the product.

- Do not operate the product if the power cord or the plug is damaged.
- If the product does not operate correctly, hits the ground, is damaged, left outdoors or falls into water, stop the product. Let an approved service agent repair the product.

- Make sure that the motor and all controls are off before you disconnect the power cord.
- Disconnect the power cord from the outlet, when the product is not used, before you do servicing or before you go away from the product.
- Do not pull the power cord to disconnect the power cord from the outlet. Always pull the plug to disconnect from the outlet.
- Do not operate the product at temperatures below -10°C.
- Do not operate the product where there is a risk of explosion or in areas where there is flammable liquids or materials.
- Do not put objects into openings.
- Do not operate if an opening is blocked. Remove dust, lint, hair or other material that can decrease the air flow.
- Do not operate the product or pull the power plug with wet hands.
- Keep hair, loose clothing and all body parts away from openings and moving parts.
- Operate the product very carefully on stairs to prevent damage and injury if the product falls.
- Make sure that you always can stop the motor quickly in an emergency.
- Always lock the transport wheels if you do work on a rough surface.
- Do not operate the product without a Longopac bag and the filters installed. Replace the Longopac bag and the filters as given in this manual.
- If the product has unusual vibration or noise level, stop the product immediately and disconnect the power supply. Examine the product for damages. Unusual vibration is usually a warning of damage. Repair the damages or let an approved service agent do the repair.
- Always use approved accessories. Speak to your Husqvarna representative for more information.

Personal protective equipment



WARNING: Read the warning instructions that follow before you use the product.

- Always use approved personal protective equipment when you operate the product. Personal protective equipment cannot fully prevent injury but it decreases the degree of injury if an accident does occur. Let your dealer help you select the correct personal protective equipment.
- Regularly do a check of the condition of the personal protective equipment.
- Use an approved protective helmet.
- Use approved hearing protection.
- Use approved respiratory protection with class P2 or higher.

- Use approved eye protection.
- Use protective gloves.
- Use protective shoes.

to serious injury or death to the user or others.

Safety instructions for maintenance



WARNING: Read the warning instructions that follow before you use the product.

- If the maintenance is not done correctly and regularly, the risk of injury and damage to the product increases.
- Use personal protective equipment. Refer to *Safety instructions for operation on page 7*.
- Disconnect the product from the power source before you do the maintenance.
- Do not change the product. Modifications that are not approved by the manufacturer can cause serious injury or death.
- Always use original accessories and spare parts. Accessories and spare parts that are not approved by the manufacturer, can cause serious injury or death.
- Replace damaged, worn or broken parts.
- Only do the maintenance as given in this operator's manual. Let an approved service agent do all other servicing.
- If the replacement of the supply cord is necessary, this has to be done by the manufacturer or his agent in order to avoid a safety hazard.
- Let an approved service agent do servicing on the product regularly.



WARNING: The use of products such as cutters, grinders, drills, that sand or form material can generate dust and vapours which may contain hazardous chemicals. Check the nature of the material you intend to process and use an appropriate breathing mask.

It is not possible to cover every conceivable situation you can face when using the product. Always exercise care and use your common sense. Avoid all situations which you consider to be beyond your capability. If you still feel uncertain about operating procedures after reading these instructions, you should consult an expert before continuing.

Do not hesitate to contact your Husqvarna representative if you have any more questions about the use of the product. We will willingly be of service and provide you with advice as well as help you to use your product both efficiently and safely.

Let your Husqvarna dealer check the product regularly and make essential adjustments and repairs.

Husqvarna AB has a policy of continuous product development. Husqvarna reserves the right to modify the design and appearance of products without prior notice and without further obligation introduce design modifications.

All information and all data in the operator's manual were applicable at the time the operator's manual was sent to print.

Safety devices on the product



WARNING: Read the warning instructions that follow before you use the product.

- Never use a product that has faulty safety equipment! If your product fails any checks contact your service agent to get it repaired.
- Do not use the product if protective plates, protective covers, safety switches or other protective devices are not attached or are defective.

Bluetooth®



CAUTION: Changes or modifications made to this equipment not expressly approved by Husqvarna may void the FCC authorization to operate this equipment.

Notice: This device complies with Part 15 of FCC Rules and with Industry Canada licence-exempt RSS standard. Operation is subject to the following two conditions:

- This device may not cause harmful interference
- This device must accept any interference received, including interference that cause undesired operation.

Note: This equipment has been tested and found to comply with the limits for a Class B digital device, pursuant to part 15 of the FCC Rules. These limits are designed to provide reasonable protection against harmful interference in a residential installation. This equipment generates, uses and can radiate radio frequency energy and, if not installed and used in

Always use common sense



WARNING: Under no circumstances should you modify the original design of the product without approval from the manufacturer. Always use original spare parts. Unauthorized modifications and/or accessories may lead

accordance with the instructions, may cause harmful interference to radio communications. However, there is no guarantee that interference will not occur in a particular installation. If this equipment does cause harmful interference to radio or television reception, which can be determined by turning the equipment off and on, the user is encouraged to try to correct the interference by one or more of the following measures:

- Reorient or relocate the receiving antenna.
- Increase the separation between the equipment and receiver.
- Connect the equipment into an outlet on a circuit different from that to which the receiver is connected.
- Consult the dealer or an experienced radio/TV technician for help.

Le présent appareil est conforme aux CNR d'Industrie Canada applicables aux appareils radio exempts de licence. L'exploitation est autorisée aux deux conditions suivantes:

- l'appareil ne doit pas produire de brouillage, et

- l'appareil doit accepter tout brouillage radioélectrique subi, même si le brouillage est susceptible d'en compromettre le fonctionnement.

Suppliers Declaration of Conformity for Husqvarna DE 110, DE 120

47 CFR § 2.1077 Compliance Information

Responsible Party

Husqvarna Construction Products North America, Inc.

17400 W 119th Street

Olathe, Kansas 66061

USA

U.S. Contact Information: Neil Stanford, Compliance Manager, Telephone number: 913-928-1000

SAVE THESE INSTRUCTIONS

Operation

Grounded product instructions



WARNING: Incorrect connection can result in electrical shock. Speak to an approved electrician if you are not sure if your mains outlet is correctly grounded.

Do not do modifications to the power plug from its factory specification. If the power plug or power cord is damaged or must be replaced, speak to your Husqvarna service agent. Obey local regulations and laws.

If you do not fully understand the instructions about the grounded product, speak to an approved electrician.

Use only grounded outdoor extension cables with grounding plugs and grounding outlet that accepts the product power plug.

The product has a grounded power cord and power plug. Always connect the product to a grounded mains outlet. This decreases the risk of electrical shock if there is a malfunction.

Use nominal 120V supply circuit with this product.

Do not use electrical adapters with the product.

Product rated more than 15A



WARNING: Do not use an adapter with a product where the current rate is more than 15A.



WARNING: Make sure that the power plug of the product agrees with the outlet.

If your product current is rated with more than 15A, it is supplied from the manufacturer with correct power cord and power plug for outlet connection.

Product rated less than 15A



WARNING: Make sure that the power plug of the product agrees with the outlet.



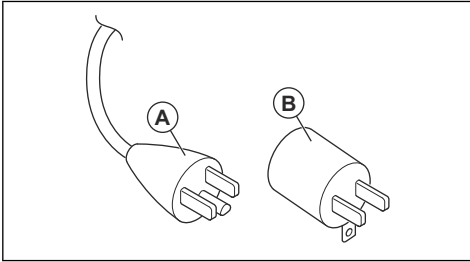
WARNING: It is not permitted to use a temporary adapter in Canada, refer to C22.1.



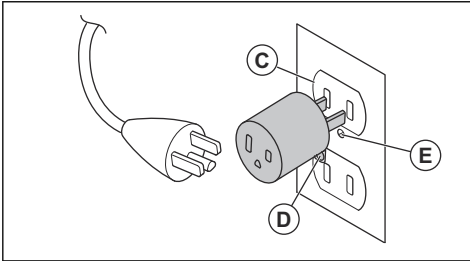
WARNING: Only use the temporary adapter until a grounded

outlet can be installed by an approved electrician.

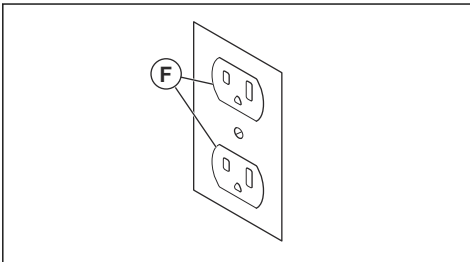
The power plug (A) is grounded and can be used with or without a temporary adapter (B).



Use an adapter when the outlet (C) is not grounded. Use the temporary adapter to connect the power plug to the outlet that is not grounded. The tab for grounding screw (D) on the adapter must be connected to a grounded outlet box cover. You must use the metal screw (E) to hold the adapter in position.



Do not use an adapter if the outlet (F) is grounded.



To do before you operate the product

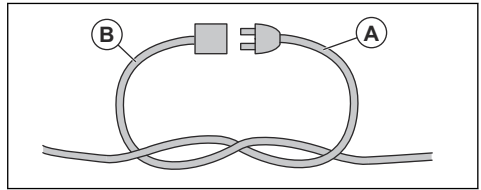


WARNING: To prevent the risk of injury, make sure that you attach the product plug fully to the extension cable. Do regular checks of the connection while you operate the product to make sure that it is fully attached. Do not use an extension cable that makes a loose connection.

Note: The operation conditions are 800 m/2625 ft maximum altitude, temperature between -10°C/14°F to +40°C/104°F and humidity 85%.

Note: Read the operator's manual of the attached equipment carefully. If specified requirements or settings are given for the dust extractor, make sure that you obey these.

1. Read the operator's manual carefully and make sure that you understand the instructions.
2. Do the daily maintenance. Refer to *Maintenance schedule on page 17*.
3. Make sure that the work area is clean and bright.
4. Use personal protective equipment. Refer to *Personal protective equipment on page 7*.
5. Make sure that the product is installed correctly.
6. Make sure that the frequency and voltage shown on the type plate agrees with the power supply voltage. This is also applicable for the extension cables.
7. Attach the product cord (A) with the extension cable (B) during operation to make sure that they stay connected.

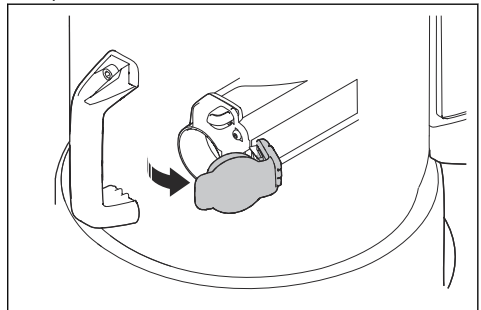


To attach the dust extraction hose

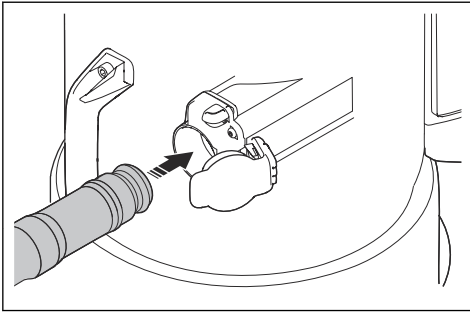


WARNING: Use an antistatic hose to prevent antistatic effects.

1. Open the hose connector.



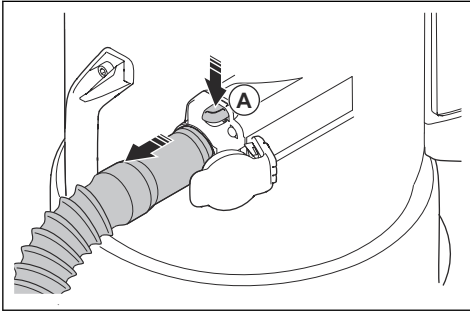
- Put the hose adapter in the hose connector.



- Push the hose adapter until you hear a click to get it in correct position.

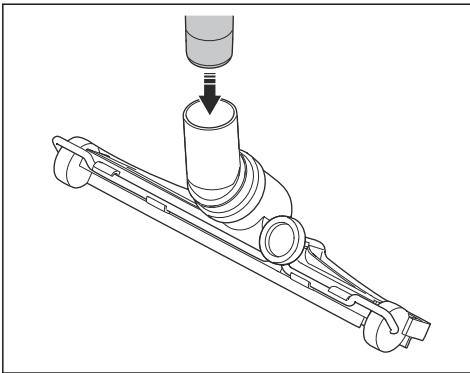
To remove the dust extraction hose

- Push the hose lock button (A) and pull the dust extraction hose.

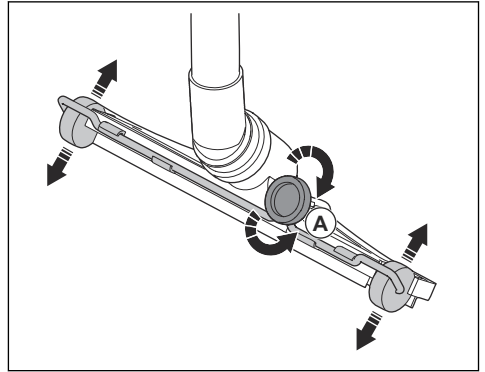


To attach and adjust the floor nozzle

- Put the end of the handle fully into the shaft of the floor nozzle.



- Turn the knob (A) at the rear of the floor nozzle to adjust the floor nozzle wheels. Different surfaces and different types of dust and materials make it necessary to adjust the wheels to get the best performance.



Bluetooth® wireless technology

Products with built-in Bluetooth® wireless technology can connect to mobile devices and enables additional functions from Husqvarna Connect.

The symbol for *Bluetooth*® wireless technology comes on when your mobile device is connected to the product.



To use embedded connectivity with fleet

Note: This part is applicable only for products supplied with embedded connectivity.

Note: Radio transmission by the Bluetooth® function will be enabled on the first time of connection to a power outlet, and stay on after that.

- Download the Husqvarna Fleet Services iOS or Android app Husqvarna Fleet Services.
- Go to Husqvarna Fleet Services website <https://fleetservices.husqvarna.com> for more information.

To lock and unlock the transport wheels

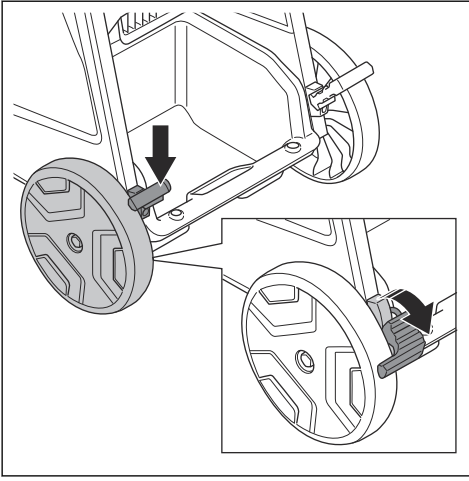
For operation on a surface with a slope it is necessary to lock the transport wheels.



WARNING: Wheels and bearings must be clean and without dust

for safe operations. Refer to *Maintenance schedule on page 17.*

1. Hold the product in a stationary and safe position.
2. Push down the wheel brake on each side to lock the wheels.

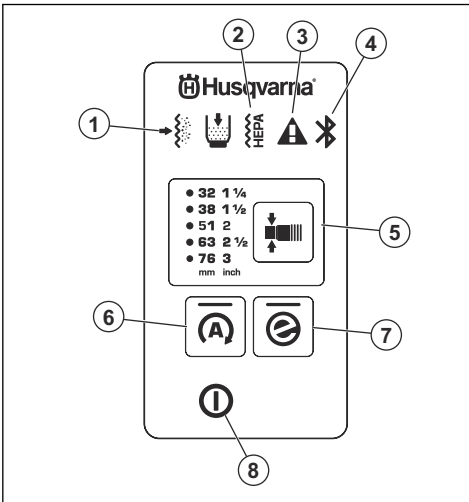


Note: DE 110S/DE 110 has only 1 wheel brake.

3. Pull up the wheel brakes to unlock the wheels.

Functions of the control panel

The control panel controls and monitors important functions and setups of the product. Refer to *Warnings on the control panel (DE 110/DE120) on page 22* to find solutions for the warnings.



1. The prefilter is clogged. Refer to *To remove dust particles from the prefilter during operation on page 14.*
2. The HEPA filter is clogged, damaged or missing. Refer to *Warnings on the control panel (DE 110/DE120) on page 22.*
3. Warning. Refer to *Warnings on the control panel (DE 110/DE120) on page 22.*
4. Bluetooth® connection. Refer to *To use embedded connectivity with fleet on page 11.*
5. Diameter change function for hose, refer to *To select the hose nozzle diameter on page 13*
6. Automatic start, refer to *Automatic start function (Only 230V DE 110S and DE 110) on page 12*
7. e-Flow button, refer to *e-Flow function on page 12*
8. On/Off button

e-Flow function

The product has an e-Flow function. This function automatically adjusts the airflow to the workload for optimal performance. The product always starts with the last settings used.

Refer to *Functions of the control panel on page 12* to engage or disengage the function.

Automatic start function (Only 230V DE 110S and DE 110)

The product can be used to collect dust from equipment such as a grinder or power cutter. When you start the equipment that is connected to the electrical outlet on the product, the product starts automatically. When you stop the equipment, the product operates for approximately 10 seconds to empty the hose and then stops.

Airflow warning system

The airflow in the suction hose must be more than 20 m/s (66 ft/s).

For the minimum airflow with the selected hose diameter refer to the table.

Airflow alarm levels				
mm	inch	m ³ /h	CFM	
21	⁵ / ₆	25	15	
27	1	41	24	
32	1¼	58	34	
38	1½	82	48	
42	1⅔	100	59	
51	2	147	87	

Airflow alarm levels			
63	2 ½	224	132
76	3	327	192

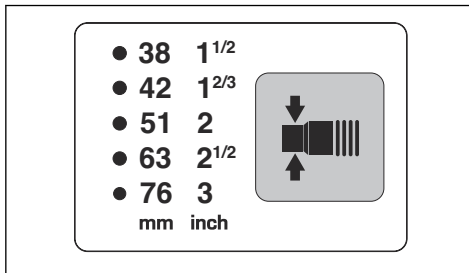
Note: If the airflow is less than 20 m/s (66 ft/s), the sound alarm and the warning symbol comes on. Refer to *Warnings on the control panel (DE 110/DE120)* on page 22.

To select the hose nozzle diameter

Note: If you do not select the correct hose diameter, the airflow warning system will come on.

When you start the product, the last selected hose diameter is automatically selected.

- Push the button to select the correct hose diameter. The green LED tells which diameter you have selected.

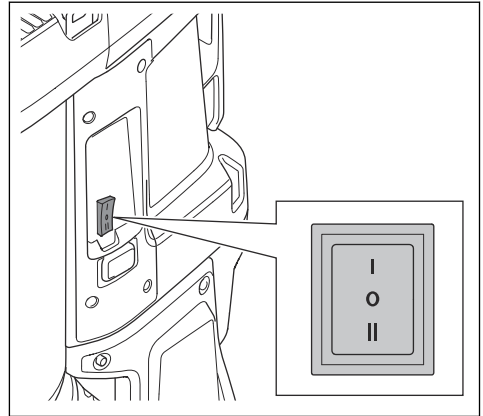


To start and stop DE 110S

Note: Wait for 5 seconds after you start the product to operate with full suction. The suction is not at full capacity directly at start.

1. Make sure that the frequency and voltage shown on the rating plate agree with the power supply.
2. Make sure that the On/Off switch is set to the "0" position.
3. Connect the product to an applicable power socket.

4. Push the On/Off switch.



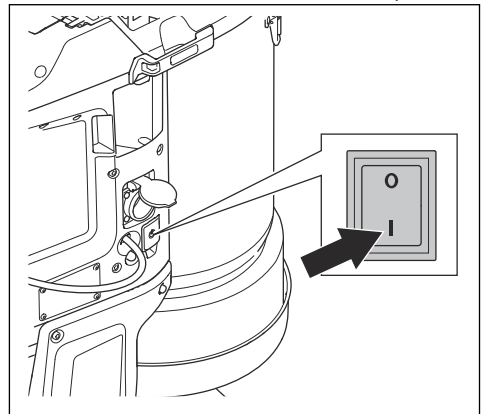
- a) Push "I" to start the product.
- b) Push "II" for automatic start. Refer to *Automatic start function (Only 230V DE 110S and DE 110)* on page 12.

5. To stop the product, set the On/Off switch to "0".
6. Disconnect the product from the power socket.

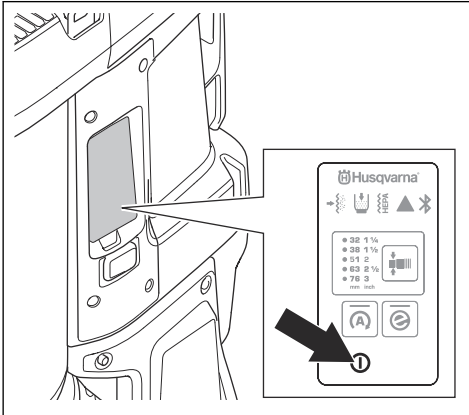
To start and stop DE 110/DE 120

Note: Wait for 5 seconds after you start the product to operate with full suction. The suction is not at full capacity directly at start.

1. Make sure that the frequency and voltage shown on the rating plate agree with the power supply.
2. Connect the product to an applicable power socket.
3. Push the "I" on the main switch to start the product.



4. Push the On/Off button to start and stop the operation.



- a) Push "I" to start the operation.
- b) Push "A" for automatic operation start. Refer to *Automatic start function (Only 230V DE 110S and DE 110) on page 12.*

5. To stop the operation, push the On/Off button. The button goes off when you stop the operation.
6. Push the "0" on the main switch to stop the product.
7. Disconnect the product from the power socket.

Hour meter (DE 110/DE120)

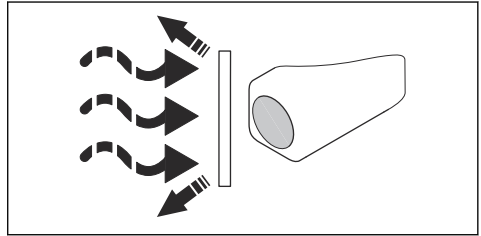
The hour meter shows the total operation time of the product in hours.

To remove dust particles from the prefilter during operation

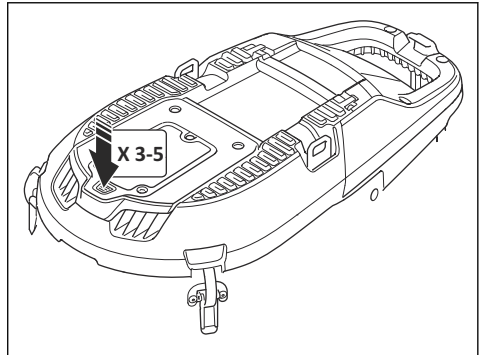
The filter purge function cleans the prefilter from unwanted material. Do the procedure in these situations:

- Before a work stop or at the end of each work day. If the product is off for a while, it gives the dust more time to fall down. This makes the filter purge procedure more powerful.
 - When the suction is not sufficient.
 - Before installation of a new Longopac bag.
 - When the prefilter clogged alarm goes off. Refer to the instructions on the decal on the prefilter cover.
1. Start the product. Refer to *To start and stop DE 110S on page 13* or *To start and stop DE 110/DE 120 on page 13.*

2. Close the air flow that moves through the air intake with the air intake plug or the intake valve to make vacuum.



3. Wait 5 seconds until vacuum is made, then push the filter purge button. Do this step 3 to 5 times. It is important to let the product make vacuum between each button push.



If the suction is not sufficient after this procedure, it is necessary to clean the prefilter with water. Refer to *To clean the prefilter with water on page 18.*

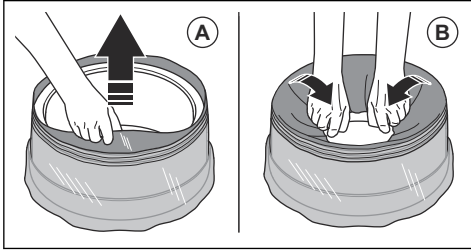
To install a new Longopac bag cassette



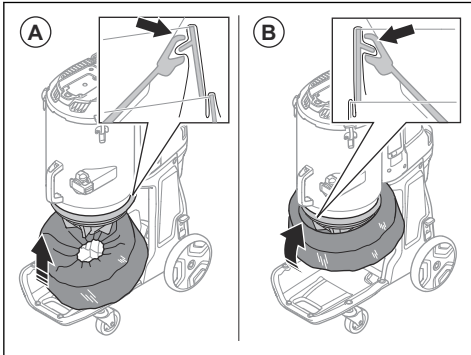
CAUTION: Clean the prefilter before you install a new Longopac cassette. Refer to *To remove dust particles from the prefilter during operation on page 14.*

1. Put the Longopac cassette around the inner edge of the Longopac holder.
2. Remove the 4 straps after you put the Longopac in the holder.

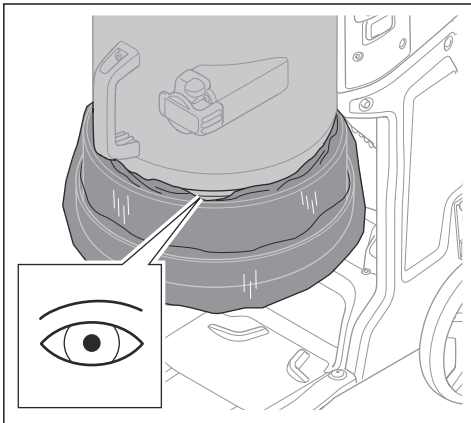
3. Pull the inner layer of the Longopac cassette up (A) and fold it into the holder (B).



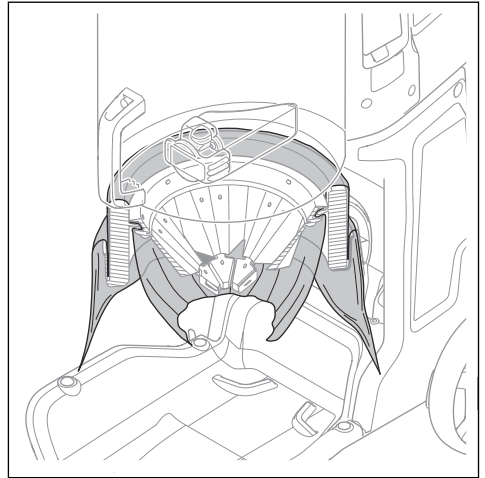
4. Attach the Longopac holder to the rear part of the container (A). Then attach the Longopac holder to the sides and to the front of the container (B). Push the Longopac holder up until you hear a solid click.



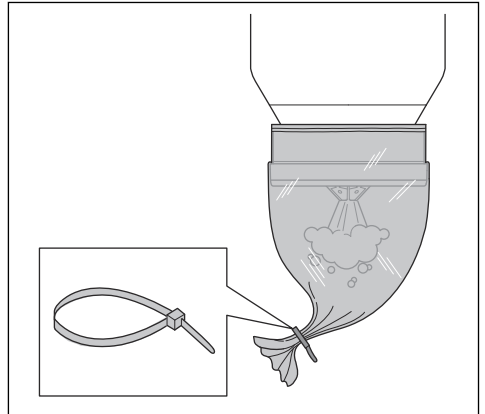
5. Make sure that the Longopac is sealed.



6. Pull the outer layer of the Longopac cassette down.



7. Close the bottom of the Longopac with a cable tie.



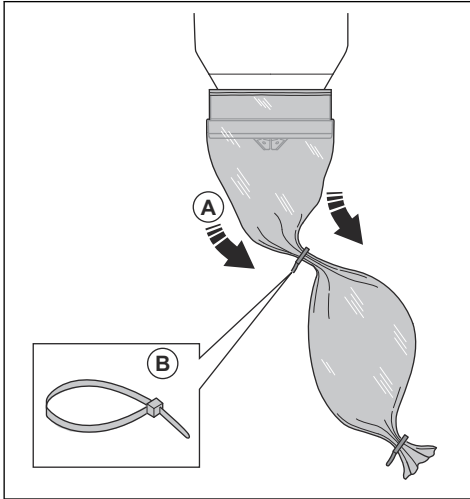
To discard a full Longopac bag and prepare a new Longopac bag



WARNING: Lift the

Longopac bag with caution, a full Longopac bag can be heavy. Make sure that the cable ties are closed correctly before you lift the Longopac bag.

1. Pull out the Longopac bag (A) and attach a cable tie (B) to close the new Longopac bag.

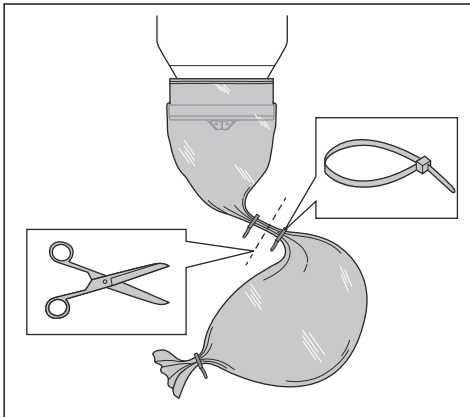


4. If the remaining part of the Longopac bag cassette is too small to prepare a new Longopac bag, install a new Longopac bag cassette. Refer to *To install a new Longopac bag cassette on page 14*.
5. Obey local regulations for disposal of the full Longopac bag.

To do after completed work

1. Do the filter purge procedure. Refer to *To remove dust particles from the prefilter during operation on page 14*.
2. Stop the product, refer to *To start and stop DE 110S on page 13* or *To start and stop DE 110/DE 120 on page 13*.
3. Discard the Longopac bag. Refer to *To discard a full Longopac bag and prepare a new Longopac bag on page 15*.
4. Clean the product. Refer to *To clean the product on page 18*.
5. Prepare the product for transportation. Refer to *To move the product long distances on page 24*.

2. Shake down the dust in the used Longopac bag.
3. Attach a cable tie 10 cm/3.9 in. below the first cable tie to close the used Longopac bag. Cut off the Longopac bag between the cable ties.



Maintenance

Introduction



WARNING: Product related accidents occur during the troubleshooting, servicing and maintenance as the operator must be in the risk area of the product. The operator must be careful, make a plan and prepare the work to prevent accidents.



WARNING: Before you do maintenance, make sure that the motor switch and the pump switch are in the Off positions. Disconnect the power cord and remove the pump cable.



WARNING: Only let an approved electrician do all checks of the electric components.



WARNING: Make sure that you do not make a hole in the filter. Risk of dust dispersion.



WARNING: Make sure that you obey all local regulations to dispose the dangerous dust correctly, before and during maintenance.



WARNING: The manufacturer, or an instructed person, must do a technical inspection at least annually. The technical inspection includes an inspection of the filters for damage, air tightness of the product and correct function of the control mechanism. In addition the filtration efficiency of the product must be tested at least annually, or more frequently as may be specified by national requirements. If the test is not conducted the HEPA filter must be replaced by a new one.

Maintenance schedule

The maintenance intervals are calculated from daily use of the product. The intervals change if the product is not used daily.

Maintenance	Before each use	Daily	Weekly	When suction is low	Each 6 months or 600 h	Each 12 months or 2000 h
Do the filter purge procedure. Refer to <i>To remove dust particles from the prefilter during operation on page 14.</i>	X					
Look for signs of wear or damage of the dust release rubber cone.	X					
Do a check of the power plug and the power cord.	X					
Look for signs of wear, damage or loose connections of the controls before the unit is connected.	X					
Do a check of the hose and the hose connectors.	X					
Look for signs of wear or damage of the plastic parts.	X					
Do a check of the lifting eyes.	X					
Make sure that the Longopac is correct and that it is correctly attached. Refer to <i>To install a new Longopac bag cassette on page 14.</i>		X				
Do a check of the filter purge function.		X				
Do a check of the wheels. Look for damage and bad connections.			X			
Do a check of the filter seals.			X			
Do the filter purge procedure. If the suction continues to be not sufficient, clean the prefilter with water. Refer to <i>To clean the prefilter with water on page 18.</i>				X		

Maintenance	Before each use	Daily	Weekly	When suction is low	Each 6 months or 600 h	Each 12 months or 2000 h
Replace the cleaned prefilter if the suction continues to be not sufficient. Refer to <i>To replace the prefilter on page 19.</i>				X		X
Replace the HEPA filter.				X	X	
Replace the dust release rubber cone.						X
Replace the filter cleaning rubber parts.						X

To do a check of the functions of the control panel

1. Start the product. Refer to *To start and stop DE 110/DE 120 on page 13.*
2. Push and hold the On/Off button. Refer to *Functions of the control panel on page 12*
3. Make sure that the product stops and that the green LED goes off.

To clean the product

Operation can cause contamination on all parts of the product and all used equipment. Thus it is necessary to clean all parts of the product and all used equipment fully and carefully.

 **WARNING:** Disconnect the product from the power supply.

 **WARNING:** Clean the product before it is moved from the work area. Remaining dust on the product can go into the air and cause a health risk.

- Use personal protective equipment. Refer to *Personal protective equipment on page 7.*
- Do not clean the product with a high-pressure washer or compressed air.
- Clean the external surface with a moist cloth.
- Do not use water on electrical components.
- Clean the filters as given in and *To replace the HEPA filter on page 19.*
- After servicing, put discarded parts in plastic bags. Refer to local regulations for the correct procedure.
- If you use water to clean the product, remove the prefilter and the Longopac before you clean. Also make sure that no water goes into the HEPA filter.

To clean the prefilter with water



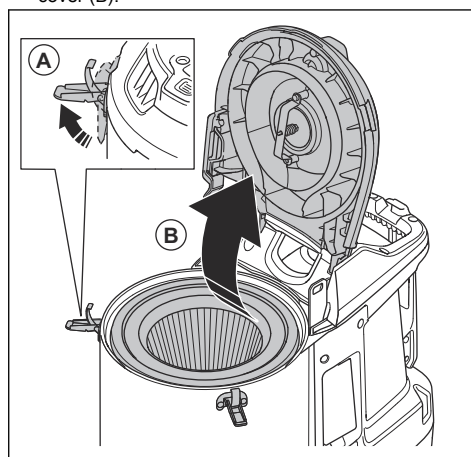
CAUTION: Do not use a high-pressure washer or compressed air to clean the prefilter. Do not hit the prefilter with force to clean it.



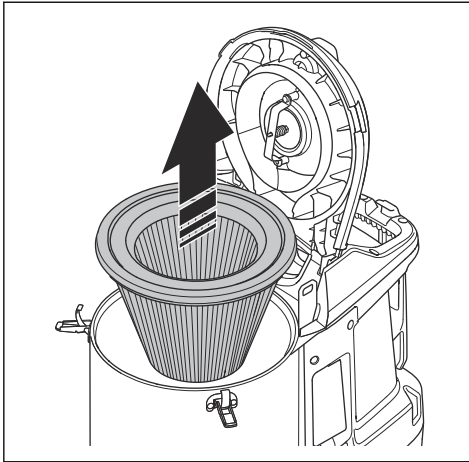
CAUTION: Do not let it dry in full sunlight. The seals will dry out.

Note: To clean the with water will gradually decrease the efficiency of the filter.

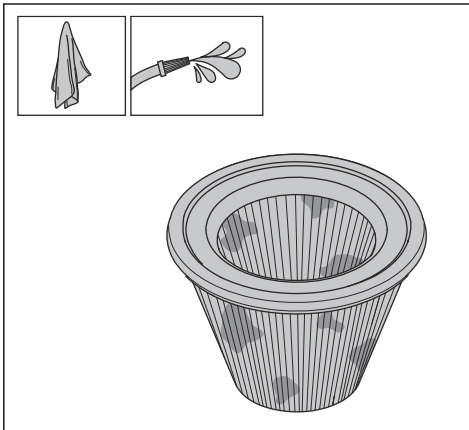
1. Loosen the cover locks (A) and open the prefilter cover (B).



2. Remove the prefilter.



3. Clean the prefilter with running water from the inner surface of the prefilter.



CAUTION: The water pressure must not be higher than 4 bars.



CAUTION: Do not hit or drag items across the filter surface as this will do damage to the filter.

4. Let the prefilter dry fully.



CAUTION: The prefilter must be 100% dry before you install it into the housing.

5. Install the prefilter, close the prefilter cover and tighten the cover locks.

If the prefilter cannot be fully cleaned or if it is damaged, it must be replaced. Refer to *To replace the prefilter on page 19*.

Filter replacement



WARNING: Use

personal protective equipment. Refer to *Personal protective equipment on page 7*. Dangerous dust can release into the air during filter replacement.



WARNING: Stop the

product and disconnect the power supply before filter replacement.

To replace the prefilter

1. Remove the prefilter. Refer to *To clean the prefilter with water on page 18*.
2. Put the prefilter carefully in a plastic bag.
3. Discard the plastic bag correctly. Refer to local regulations.
4. Install the new prefilter.

If the suction is not sufficient when a new prefilter is installed, it is necessary to replace the HEPA filter. Refer to *To replace the HEPA filter on page 19*.

To replace the HEPA filter

The HEPA filter cannot be cleaned. It is always necessary to replace it with a new HEPA filter. Only use Husqvarna AB HEPA filters.



WARNING: Only an

approved service center or an approved authority is permitted to replace the HEPA filter.



WARNING: Always use

personal protective equipment, refer to *Personal protective equipment on page 7*.



WARNING: The

particles in the HEPA filter are dangerous to your health.



WARNING: Make sure

that there are no holes in the HEPA filter. A damaged HEPA filter is a health risk.

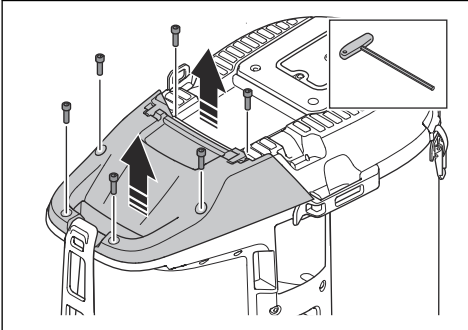


WARNING: Do not install a used HEPA filter. If you install a used HEPA filter, leakage and decreased filtration efficiency can occur.

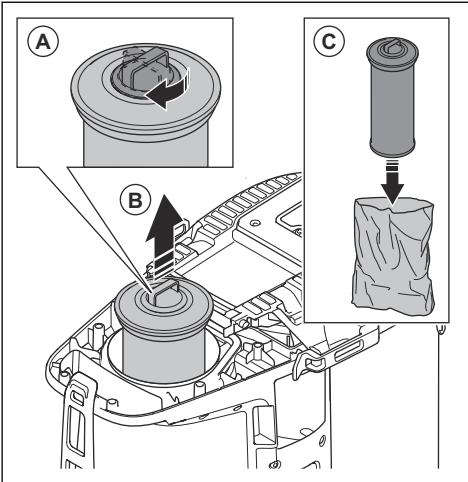


CAUTION: Do not touch the inner surface of the HEPA filter. This can cause damage to the HEPA filter.

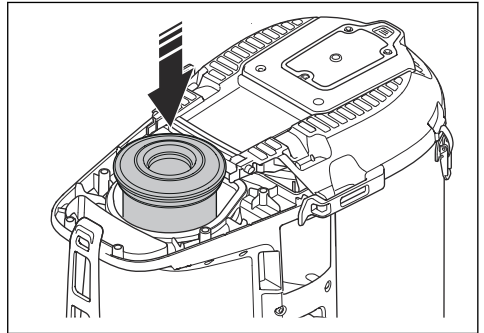
1. Loosen the 6 screws and remove the HEPA filter cover.



2. Attach the dust cap (A) and pull out the HEPA filter. Put it into a clean plastic bag (C).



3. Discard the plastic bag correctly. Refer to local regulations.
4. Install a new HEPA filter. Make sure that the HEPA filter is pushed to the end position.



5. Install the HEPA filter cover and tighten the 6 screws.

Troubleshooting

Troubleshooting schedule

Problem	Cause	Solution
The motor stops immediately after start or does not start.	There is no power.	Connect the product to a power supply.
	The power cord is defective.	Let an approved service agent repair the product.
	There is a short circuit in the product.	Let an approved service agent repair the product.
	The HEPA filter is damaged or not installed (DE 110/DE 120).	Replace or install the HEPA filter.
	Too high voltage in power supply.	Make sure that correct power supply is used.
	Too high ambient temperature.	Make sure that the ambient temperature is in specified range when you use the product.
	Fan is broken or disconnected.	Let an approved service agent repair the product.
The motor is on but there is no suction.	The dust extraction hose is not connected correctly.	Connect the dust extraction hose.
	The dust extraction hose is blocked.	Clean the dust extraction hose.
	There is no Longopac bag.	Install a Longopac cassette.
	The Longopac is not closed down with a cable tie.	Attach a cable tie.
The suction is not sufficient.	Too low voltage in power supply.	Make sure that correct power supply is used.
	There is a hole in the dust extraction hose.	Replace the dust extraction hose.
	The prefilter is clogged.	Remove dust particles from the prefilter. Clean or replace it if it is necessary.
	The HEPA filter is clogged.	Replace the HEPA filter. Refer to <i>To replace the HEPA filter on page 19.</i>
	The top cover is loose.	Close the top cover fully.
	The seals are broken.	Replace the seals.
Dust releases into the air from the motor.	The filters are incorrectly installed or damaged.	Install the filters correctly. Replace damaged filters.
Unusual noise comes from the product.	N/A	Let an approved service agent repair the product.

Warnings on the control panel (DE 110/DE120)



CAUTION: Do not operate the product if the red light comes on. If the initial solution does not remove the error, speak with an

approved service agent before you operate the product again.

Symbol	Signal	Cause	Solution
	Buzzer signal and the red light comes on.	The prefilter is clogged.	Do a filter purge procedure, refer to <i>To remove dust particles from the prefilter during operation on page 14.</i>
		Incorrect hose is connected or selected in the control panel.	Attach correct hose or select the correct hose dimension on control panel.
		The hose is damaged or compressed.	Replace the hose.
		The hose is clogged.	Clear the hose.
	The red light flashes.	The main vacuum hose is disconnected.	Let an approved service agent repair the product.
	Red light comes on.	The HEPA filter is missing, full or damaged.	Install the HEPA if missing. Do a check of the HEPA filter, replace if necessary. Refer to <i>To replace the HEPA filter on page 19.</i>
	Red light comes on.	The control unit is damaged.	Let an approved service agent repair the product.
		Too high ambient temperature.	Make sure that the ambient temperature is in specified range when you use the product.
		Warning.	Look at the operation record of your Husqvarna fleet app or speak to an approved service agent.
	Yellow light comes on.	The HEPA filter is almost full.	Replace the HEPA filter if necessary.
	Red light comes on.	The HEPA filter is full.	Replace the HEPA filter.

Error codes

Error code	Error	Description	Probable cause(s)	Action(s)
2	HEPA filter missing.	Product shuts down/does not start. + Warning light on HMI. + HEPA symbol on HMI.	HEPA filter is missing or damaged.	Assemble or replace the HEPA filter.
3	Low supply voltage.	Low performance (low air flow/vacuum).	Too low voltage in grid/power supply.	Make sure correct grid/power supply is used.

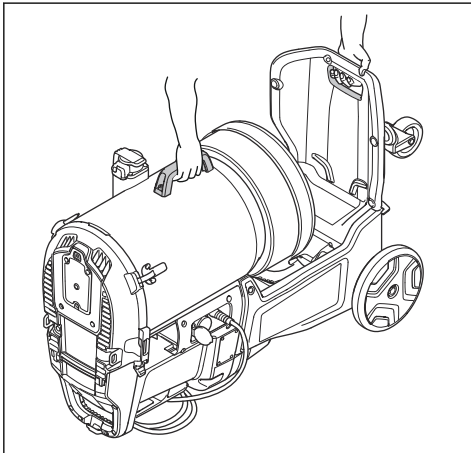
Error code	Error	Description	Probable cause(s)	Action(s)
4	High supply voltage.	Product shuts down/does not start.	Too high voltage in grid/power supply.	Make sure correct grid/power supply is used.
		+ Warning diode light on HMI.	Wrong battery used.	Use correct battery.
5	Main Pressure Sensor Error.	Prefilter light flashes red.	Vacuum hose is disconnected or blocked.	Speak to an approved service agent.
			Control unit is damaged.	
6	PCBA temperature too high.	Product shuts down/ does not start.	Too high ambient temperature.	Do not use the product outside specified temperature range.
		+ Warning diode light on HMI.		
7	Fan malfunction.	Product shuts down/ does not start.	Fan is damaged or disconnected.	Speak to an approved service agent.
		+ Warning diode light on HMI.	Control unit is damaged.	
9	One wire communication not detected.	Product shuts down/ does not start. + Warning diode light on HMI.	Cable disconnected or damaged.	Speak to an approved service agent.

Transportation, storage and disposal

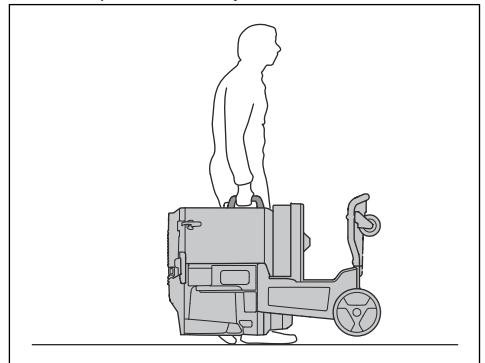
To move the product short distances

Make sure that the intake valve is closed. Make sure that the dust caps are on the hoses.

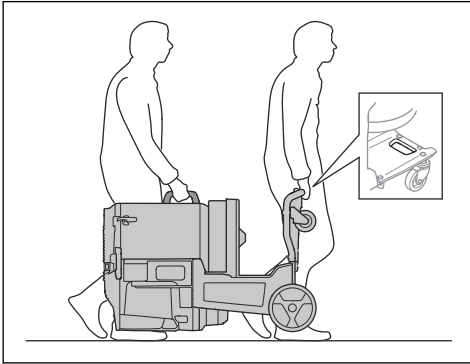
1. Put the product down on the ground.



2. Lift the product manually.



- If 2 persons lift the product, make sure to use the 2 lifting points.

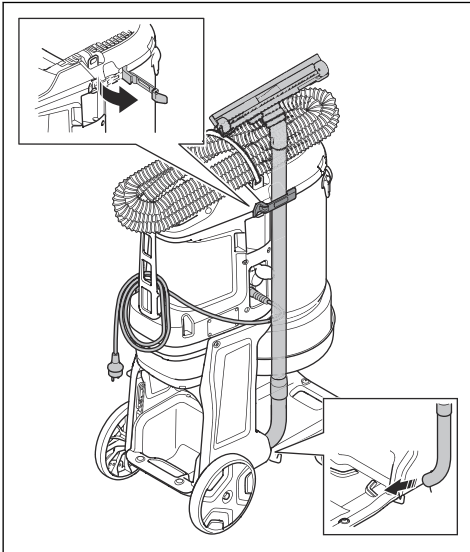


To move the product long distances

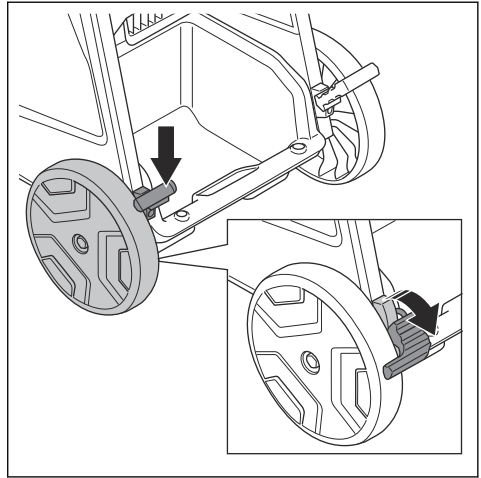
Make sure to use a closed vehicle during transportation of the product.

Make sure that the intake valve is closed. Make sure that the dust caps are on the hoses.

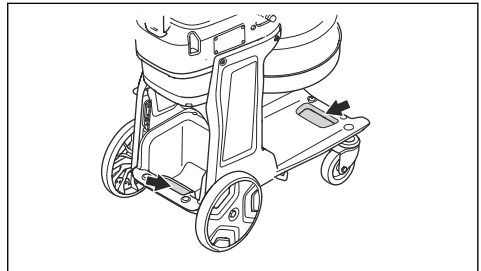
- Make sure that the Longopac is installed on the product.
- Make sure that the Longopac bag is empty.
- Attach the power cord, the dust extraction hose and the handle pipe tightly to the product.



- Lock the transport wheels.



- Lift the product, refer to *To lift the product on page 24*.
- Attach the product safely to the transportation vehicle to prevent damage and accidents. Use the tie-down points.



To lift the product



WARNING: Make sure that the lifting equipment and the lifting straps have the correct specification to lift the product safely. The type plate on the product shows the product weight, refer to *Type plate on page 4*.



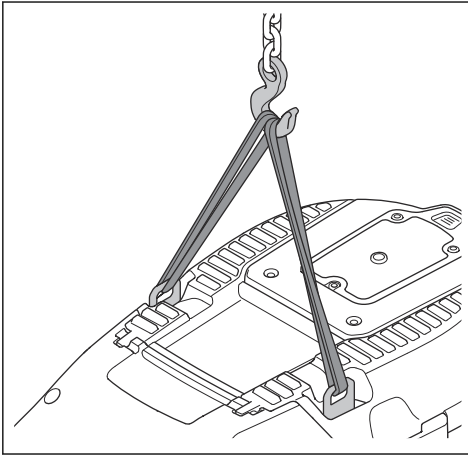
WARNING: Get aid if you are not sure about how to lift heavy equipment.



WARNING: Do not lift the product with dust in the tank or in the

bag. Do not lift the product with added weight in or on the product.

1. Do the filter purge procedure before you lift the product. Refer to *To remove dust particles from the prefilter during operation on page 14.*
2. To lift the product safely, put straps through the lifting eyes.



WARNING: Do not use metal hooks, chains or other lifting equipment with rough edges that can cause damage to the lifting eye. Only soft lifting straps are permitted.

Storage of the product



CAUTION: Put the product in an indoor storage away from outdoor elements.

- Keep the product in storage where the ambient temperature is between $-10^{\circ}\text{C}/14^{\circ}\text{F}$ and $40^{\circ}\text{C}/104^{\circ}\text{F}$.
- Before storage, do the filter purge procedure and discard the Longopac with collected material.
- Disconnect the product from the power source.
- Put the product in a dry and frost-free area.
- Put the product in a locked area. Do not let children or not approved persons near the product.

Disposal of the product

- Obey the local recycling requirements and applicable regulations.
- When the product no longer is used, send it to a Husqvarna dealer or discard it at a recycling location.

Technical data

Technical data

Data	DE 110S	DE 110	DE 120	DE 120
Rated Voltage, V	120			230
Phase	1			
Frequency, Hz	50-60			
Maximum power, W	900	1100	2200	
Maximum current, A	7.5	9.5	19	10
Maximum airflow turbine, cfm / m ³ /h	127 / 215	141 / 240	283 / 480	
Maximum airflow extractor, cfm / m ³ /h	106 / 180	124 / 210	241 / 410	
Maximum vacuum turbine, psi / kPa / in. H ₂ O	2.9 / 20 / 80			
Dust extraction hose length, ft / m	16.4 / 5.0		24.6 / 7.5	
Dust extraction hose diameter in. / mm	1.5 / 38		2.0 / 51	
Auxiliary outlet	No	Yes	No	
Maximum load auxiliary outlet , A	N/A	10	N/A	
Prefilter area, ft ² / m ²	15.4 / 1.4		29.5 / 2.7	
Filter efficiency HEPA	HEPA 13			
Total HEPA area, ft ² / m ² HEPA 13	12.7 / 1.2		25.4 / 2.4	
Dust collection system, type	Longopac			
Filter cleaning mechanism	Jet Pulse			
Dimensions L×W×H, in. / mm	26.4×15.7×39.4 / 670×400×1000		32.1×21.3×44.3 / 815×542×1125	
Weight, lbs / kg	55 / 25		86 / 39	
Sound power level L _{WA} measured, dB(A) ¹	92.2		97.3	
Sound pressure level L _{PA} at the operators ear, dB(A) ²	77		81.6	
Vibration level a _h , m/s ²³	≤2.5			
Protection class	IP54		IP55	
Mains connection (type)	Nema 5-15P		Nema 5-20P	NEMA L6-20 250V 20A

¹ Noise emissions in the environment measured as sound power (LWA) in conformity with EN 60335-2-69. Uncertainty Kwa 2dB.

² Noise pressure level according to EN 60335-2-69. Uncertainty KPA 2dB.

³ Vibration level according to EN 60335-2-69. Reported data for vibration level has a typical statistical dispersion (standard deviation) of 1 m/s².

Embedded connectivity

Note: This part is applicable only for products supplied with embedded connectivity.

BLE technology radio spectrum	
Frequency bands for the tool, GHz	2.402-2.480
Maximum radio-frequency power transmitted, dBm/mW	4/2.5

Warranty

Warranty

New equipment sold by , is warranted to be free from manufacturing defects in normal service for a period of one (1) year from date of purchase by the original consumer purchaser*. Component manufacturers offer separate warranty periods. Call Technical Services at (800) 365-5040 for complete information.

Husqvarna's obligation under this warranty is expressly limited to the replacement or repair at Husqvarna Construction Products, or at a service facility designated by us, of such part or parts as inspection shall disclose to have been defective.

This warranty does not apply to defects caused by damage, unreasonable use, faulty repairs made by others or defects caused by failure to provide reasonable maintenance, while in the possession of the consumer. Further, the warranty is void if the product, or any of its components, is altered or modified by the consumer or if the product is used in an inappropriate manner or with a blade not recommended by the manufacturer.

(*) Husqvarna offers a 1-year warranty on all equipment with the following exceptions:

- Large flat saws - 2 years (Diesel and gasoline powered flat saws > 30 hp)
- DM 280/DM 340/DM 650 core drill motors - 2 years
- PG 530/PG 680/PG 820 (all variants, including RC) - 2 years, or 1,000 hours (whichever comes first)
- Blade Clutch on large flat saws - 6 months

Wear items are not covered under warranty:

- Belts
- Bearings**
- Cart wheels
- Filters
- Wheels***
- Wear pads
- Spark plugs

(**) Except IntelliSeal System

(***) Except delamination

Registered trademarks

The *Bluetooth*[®] word mark and logos are registered trademarks owned by *Bluetooth SIG, inc.* and any use of such marks by Husqvarna is under license.

Contenido

Introducción.....	30	Transporte, almacenamiento y eliminación de residuos.....	53
Seguridad.....	33	Datos técnicos.....	57
Funcionamiento.....	38	Garantía.....	59
Mantenimiento.....	46	Marcas comerciales.....	60
Solución de problemas.....	51		

Introducción

Responsabilidad del propietario



ADVERTENCIA: El procesamiento de hormigón y piedra mediante métodos como corte, amolado o perforación, especialmente en operaciones en seco, genera polvo que proviene del material procesado y a menudo contiene sílice. La sílice es un componente básico de la arena, el cuarzo, la arcilla de los ladrillos, el granito y otros numerosos minerales y rocas. La exposición a una cantidad excesiva de polvo de sílice puede causar las siguientes afecciones:

Enfermedades respiratorias (que afectan la capacidad de respirar), incluidas la bronquitis crónica, la silicosis y la fibrosis pulmonar debido a la exposición a la sílice. Estas enfermedades pueden ser mortales.

Irritación cutánea y sarpullido.

Cáncer, según el NTP* y la IARC* */National Toxicology Program (Programa Nacional de Toxicología) y Centro Internacional de Investigaciones sobre el Cáncer.

Tome medidas preventivas:

Evite inhalar y que su piel entre en contacto con el polvo, el vaho y los gases.

Utilice artículos apropiados para la protección respiratoria como máscaras contra polvo diseñadas para filtrar partículas microscópicas, y asegúrese de que todas las personas que se encuentren cerca también lo hagan. (Consulte la normativa OSHA 29 CFR Parte 1926.1153)

Para minimizar las emisiones de polvo, utilice un extractor de polvo adecuado.

Es responsabilidad del propietario o del empleador que el operador posea los conocimientos necesarios sobre cómo utilizar el producto de manera segura. Los supervisores y operadores deben haber leído y comprendido el manual de usuario. Deben tener conocimiento de lo siguiente:

- Las instrucciones de seguridad del producto.
- La gama de aplicaciones y limitaciones del producto.
- Cómo el producto se va a utilizar y mantener.

El uso de este producto se podría ver restringido por las normativas nacionales o locales. Antes de comenzar a utilizar el producto, infórmese sobre qué normativas se aplican en el lugar donde trabaja.

Descripción del producto

El producto es un extractor de polvo monofásico. El aire cargado de polvo pasa a través de la manguera de aspiración hacia la válvula de entrada. El producto separa las partículas de polvo del aire. Las partículas caen en la bolsa de plástico en la parte inferior del producto.

Uso previsto



ADVERTENCIA: Utilice el enchufe de salida de la máquina solo para los fines especificados en las instrucciones.



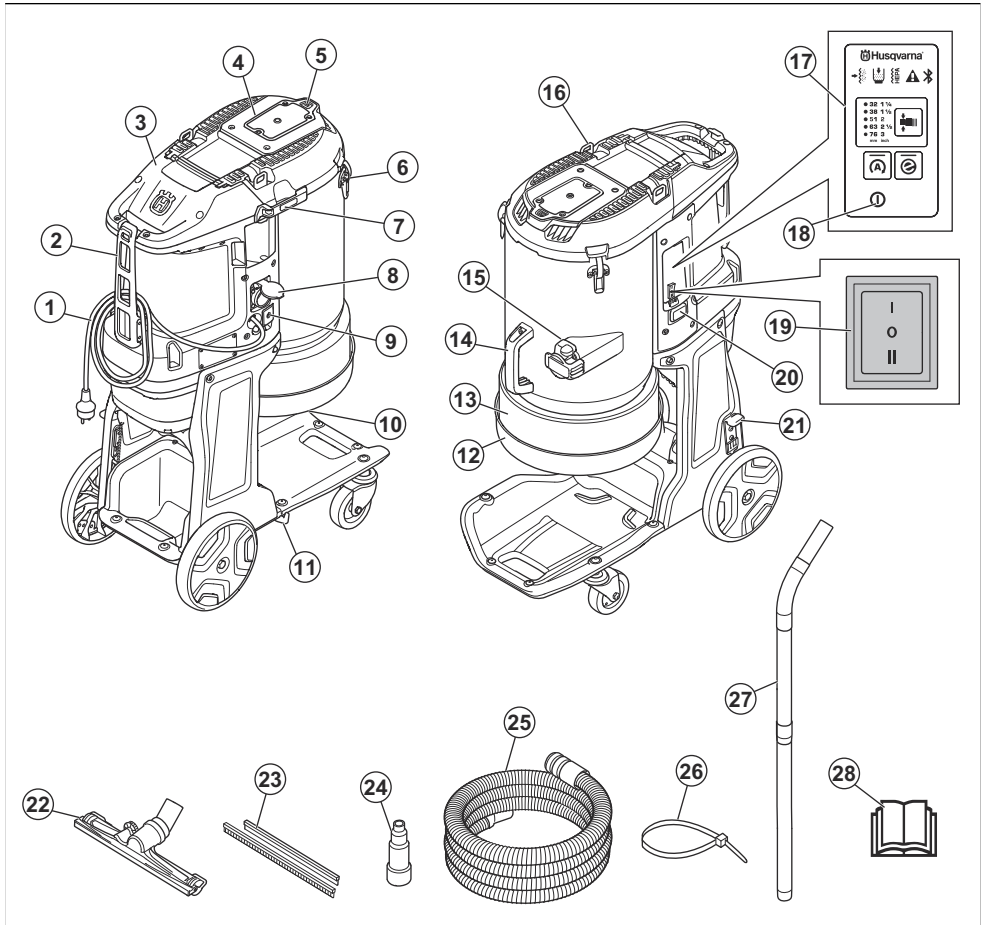
ADVERTENCIA: No recoja fuentes de ignición, partículas calientes, líquidos, material explosivo y partículas pirofóricas o inestables.

El producto es solo para el uso por parte de profesionales. El producto se utiliza para recoger y retirar material seco de las máquinas y los dispositivos. El material puede ser peligroso y perjudicial para la salud; consulte la clase de polvo H en EN 60335-2-69.

Puede conectar una herramienta de potencia eléctrica a DE 110 230 V con la toma de corriente. Asegúrese de que el consumo de energía (W) de la herramienta eléctrica no supere el consumo máximo de energía (W) identificado en la toma de corriente.

No utilice el producto para otras tareas. Utilice el producto solo con accesorios aprobados por el fabricante.

Descripción general del producto



- | | |
|--|---|
| 1. Cable | 14. Manilla |
| 2. Sujetadores para el cable y la manguera de extracción de polvo | 15. Conector de la manguera |
| 3. HEPA cubierta del filtro | 16. Cáncamo |
| 4. Cubierta del prefiltro | 17. Panel de control; consulte <i>Funciones del panel de control en la página 41</i> (DE 110/DE120) |
| 5. Botón de purga del filtro | 18. Encendido/apagado (DE 110/DE120) |
| 6. Bloqueo de la cubierta | 19. encendido/apagado/Auto (DE 110S) |
| 7. Sujetador de conmutación para el tubo de la manija | 20. Medidor de horas (DE 110/DE120) |
| 8. Salida auxiliar para herramientas eléctricas auxiliares (solo de 220 a 230 V, DE 110S/DE 110) | 21. Freno de la rueda |
| 9. Interruptor principal (DE 110/DE120) | 22. Boquilla inferior |
| 10. Cono de goma de liberación de polvo | 23. Tiras de goma |
| 11. Soporte de la vara | 24. Adaptador múltiple (DE 110S/DE 110) |
| 12. Longopac soporte | 25. Manguera extractora de polvo |
| 13. Longopac | 26. Sujetacables |
| | 27. Vara |
| | 28. Manual de usuario |

Símbolos en el producto



ADVERTENCIA: Este producto puede ser peligroso y provocar daños graves o fatales al operador o a otras personas. Tenga cuidado y utilice el producto correctamente.



Lea atentamente el manual y asegúrese de que entiende las instrucciones antes de usar el producto.



Utilice protectores auriculares, protección ocular y protección respiratoria. Consulte *Equipo de protección personal en la página 36*.



No utilice ganchos metálicos, cadenas u otros equipos de elevación con bordes irregulares que puedan dañar el cáncamo. Utilice solamente correas de elevación blandas.



El punto de conexión a tierra eléctrica en este producto se identifica mediante el símbolo de conexión a tierra. Consulte *Instrucciones para la conexión a tierra del producto en la página 38*



El producto no es un residuo doméstico. Reciclelo en un sitio de reciclaje aprobado para equipos eléctricos y electrónicos.



Si el producto presenta tecnología inalámbrica Bluetooth®, el símbolo Bluetooth® estará en el producto. Consulte *Bluetooth® tecnología inalámbrica en la página 40*.

Nota: Otros símbolos o etiquetas en el producto hacen referencia a requisitos de certificación especiales para algunos mercados.

Conectividad integrada

La solución de administración de activos en la nube Husqvarna Fleet Services™ ofrece al administrador de flotas una descripción general de todos los productos que están conectados a través de sensores integrados o del mercado de posventa. Se puede utilizar la posición de la puerta de enlace o del teléfono inteligente para indicar la ubicación de los productos conectados. Los sensores registran datos como el tiempo de funcionamiento, los intervalos de servicio y otros. Para obtener más información acerca de la solución de administración de activos en la nube Husqvarna Fleet Services™, descargue

la aplicación para iOS o Android Husqvarna Fleet Services en <https://apps.apple.com/se/app/husqvarna-fleet-services/id1334672726> o <https://play.google.com/store/apps/details?id=com.husqvarna.hfsmobile&hl=en>. Comuníquese con su Husqvarna representante de ventas para obtener más información.

Algunos tipos de este producto están conectados a través del sensor Husqvarna Fleet Services™ integrado que tiene la función Bluetooth Low Energy (BLE). Para obtener más información acerca de cómo utilizarlo, consulte *Para utilizar la conectividad integrada con una flota en la página 40*. Para obtener información acerca del espectro de radio con tecnología BLE, consulte *Conectividad integrada en la página 58*. Para obtener información respecto de dudas de cumplimiento de Husqvarna Fleet Services™, consulte *Dudas de cumplimiento en la página 32*.

Dudas de cumplimiento

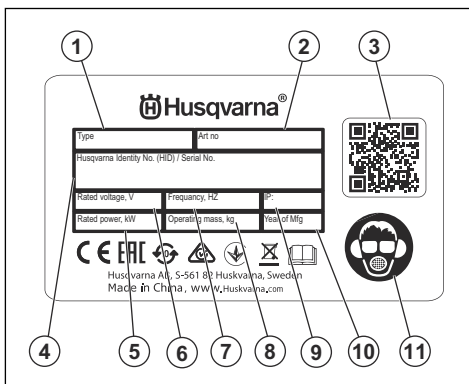
Nota: Los cambios o modificaciones que no estén expresamente aprobados por Husqvarna pueden anular el cumplimiento del equipo de las normas de la FCC y limitar la autoridad del usuario para operar el equipo.

Nota: Este dispositivo cumple con el Segmento 15 de las reglas de la FCC y con las normas de RSS no sujetas a licencias de Industry Canada.

El funcionamiento está sujeto a las siguientes dos condiciones:

- Este dispositivo no debe causar interferencias perjudiciales.
- Este dispositivo debe aceptar cualquier interferencia que reciba, incluso una interferencia que pueda causar una operación no deseada.

Placa de identificación



1. Modelo
2. Número de artículo
3. Código escaneable

4. Número de serie
5. Potencia nominal o corriente (A)
6. Voltaje nominal
7. Frecuencia
8. Peso
9. Clase IP
10. Año de fabricación
11. Equipo de protección personal

- el producto se repara incorrectamente
- el producto se repara con piezas que no son del fabricante o que este no autoriza
- el producto tiene un accesorio que no es del fabricante o que este no autoriza
- el producto no se repara en un centro de servicio autorizado o por una autoridad aprobada.

Responsabilidad del fabricante

Como se menciona en las leyes de responsabilidad del fabricante, no nos hacemos responsables de los daños que cause nuestro producto si:

Seguridad

Definiciones de seguridad

Las advertencias, precauciones y notas se utilizan para señalar las piezas particularmente importantes del manual.



ADVERTENCIA:

Se utilizan para señalar el riesgo de lesiones graves o mortales para el operador o para aquellos que se encuentren cerca si no se siguen las instrucciones del manual.



PRECAUCIÓN:

Se utilizan para señalar el riesgo de dañar la máquina, otros materiales o el área adyacente si no se siguen las instrucciones del manual.

Nota: Se utilizan para entregar más información necesaria en situaciones particulares.

INSTRUCCIONES DE SEGURIDAD IMPORTANTES



ADVERTENCIA:

Lea atentamente las instrucciones de advertencia siguientes antes de usar el producto.

- Este producto puede ser una herramienta peligrosa si no se maneja con cuidado o si utiliza el producto de forma incorrecta. Este producto puede causar daños graves o fatales al operador o a otras

- personas. Antes de utilizar el producto, es muy importante que lea y comprenda el contenido de este manual de usuario.
- No permita que el producto sea utilizado por personas (incluidos niños) con capacidades físicas, sensoriales o cognitivas reducidas, a menos que sean supervisados o hayan recibido instrucciones sobre el uso del producto por parte de una persona responsable de su seguridad.
 - Asegúrese de tener experiencia y conocimientos sobre el producto antes de usarlo.
 - Asegúrese de que todos los controles estén apagados antes de desconectar el cable de alimentación.
 - Cumpla todas las leyes y reglamentos vigentes.
 - El operador y el empleador del operador deben conocer y evitar los riesgos durante la operación del producto.
 - No permita que nadie que no haya leído y comprendido el contenido del manual de usuario utilice el producto.
 - No utilice el producto si no ha recibido capacitación antes de su uso. Asegúrese de que todos los usuarios reciban capacitación.
 - No deje que un niño utilice el producto.
 - Restrinja el uso del producto solo a personas autorizadas.
 - El operador es responsable de los accidentes que puedan ocurrirles a otras personas o a sus propiedades.
 - No utilice el producto si está cansado, enfermo o bajo la influencia de alcohol, drogas o medicamentos.
 - Sea siempre cuidadoso y use el sentido común.
 - En este producto se genera un campo electromagnético durante su funcionamiento. Este campo puede, en determinadas circunstancias, interferir en implantes médicos activos o pasivos. Para reducir el riesgo de daños graves o mortales, se recomienda que las personas con implantes

médicos consulten a su médico y al fabricante del implante médico antes de utilizar este producto.

- Mantenga el producto limpio. Asegúrese de que puede leer señales y etiquetas claramente.
- No utilice el producto si se encuentra defectuoso.
- No modifique este producto.
- No utilice el producto si es posible que otras personas hayan realizado modificaciones en el mismo.
- No utilice el producto sin los filtros necesarios.

Seguridad en el área de trabajo

- **Mantenga el área de trabajo limpia y bien iluminada.** Las áreas desordenadas u oscuras pueden generar accidentes.
- **No opere el producto en atmósferas explosivas, como ante la presencia de gases, polvo o líquidos inflamables.** El producto genera chispas que pueden encender el polvo o humos.
- **Mantenga alejados a niños y transeúntes mientras opera el producto.** Las distracciones pueden hacerle perder el control.

Seguridad eléctrica



ADVERTENCIA:

No exponga el aparato a la lluvia ni a condiciones húmedas. El agua que ingresa a un aparato eléctrico aumenta el riesgo de sacudida eléctrica.

- **El enchufe del cable de alimentación del aparato debe coincidir con la toma de corriente. No modifique el enchufe de ninguna forma. No utilice enchufes con adaptador con aparatos conectados a tierra.** Los enchufes sin modificaciones y las tomas correspondientes reducen el riesgo de sacudida eléctrica.
- **Inserte el enchufe en una toma de corriente con conexión a tierra adecuada que se haya instalado de forma correcta y segura y que cumpla con las regulaciones locales. Si tiene dudas sobre la eficacia de la conexión a tierra de la toma de corriente, solicite que un especialista calificado la revise.**
- **Evite el contacto corporal con superficies conectadas a tierra, como tuberías, radiadores, cocinas, estufas y refrigeradores.** Existe un mayor riesgo de sacudida eléctrica si su cuerpo está conectado a tierra.
- **Compruebe que el cable de alimentación no esté apoyado en un charco de agua.**
- **Compruebe el cable de alimentación del aparato en intervalos regulares y solicite que el fabricante o el agente lo reemplacen si se encuentran daños. Revise los cables de extensión en intervalos regulares y reemplácelos si están dañados.**
- **No toque el cable de alimentación o el cable de extensión si se dañan durante el trabajo.**

Desconecte el enchufe del cable de alimentación de la toma de corriente. Los cables de alimentación o los cables de extensión dañados presentan riesgo de sacudida eléctrica.

- **No haga mal uso del cable. Nunca utilice el cable para transportar, tirar o desconectar el aparato. Mantenga el cable alejado del calor, el aceite, los bordes afilados o las piezas móviles.** Los cables dañados o enredados aumentan el riesgo de sacudida eléctrica.
 - **Al operar un aparato eléctrico en exteriores, solo utilice cables de extensión aptos para su uso al aire libre.** La utilización de un cable de extensión apto para el uso al aire libre reduce el riesgo de sacudida eléctrica.
 - **Si se produce una interrupción en la fuente de alimentación eléctrica, apague el artefacto y desenchúfelo de la toma de corriente.**
 - **Nunca utilice el artefacto si está sucio o húmedo.** El polvo (especialmente el polvo de materiales conductores) o la humedad adheridos a la superficie del aparato pueden, en condiciones desfavorables, provocar una sacudida eléctrica. **Por lo tanto, un taller de servicio aprobado debe revisar los aparatos sucios o polvorientos a intervalos regulares, especialmente si se utilizan con frecuencia para trabajar en materiales conductores.**
 - **Si no se puede evitar el uso de un aparato en un lugar húmedo, utilice un suministro de corriente residual (RCD, del inglés residual current device) protegido.** El uso de un RCD reduce el riesgo de que se produzcan sacudidas eléctricas.
 - Realice pruebas periódicas de seguridad eléctrica en el producto. Consulte las normativas locales para conocer el procedimiento correcto.
- ## Seguridad personal
- **Permanezca alerta, vea lo que está haciendo y use el sentido común cuando opere el producto. No utilice el producto si está cansado o bajo la influencia de drogas, alcohol o medicamentos.** Un momento de distracción a la hora de operar el producto puede generar daños personales graves.
 - **Utilice el equipo de protección personal. Siempre utilice protección ocular.** El equipo de protección (como máscara contra polvo, calzado de seguridad antideslizante, casco o protectores auriculares) que se utiliza en condiciones pertinentes reducirá los daños personales.
 - **Evite el arranque accidental. Asegúrese de que el interruptor está en la posición de apagado antes de conectar la fuente de alimentación, recoger o transportar el aparato.** Si transporta el producto con su dedo en el interruptor o si le suministra corriente con el interruptor en la posición de encendido puede provocar accidentes.
 - **Quite cualquier llave de ajuste antes de encender la herramienta eléctrica.** Una llave conectada a una pieza giratoria del producto puede causar daños personales.

- **No se estire demasiado. Mantenga una posición y un equilibrio adecuados en todo momento.** Esto permite un mejor control del producto en situaciones inesperadas.
- **Vístase adecuadamente. No use ropa suelta ni joyas. Mantenga el pelo y la ropa lejos de las piezas en movimiento.** La ropa suelta, las joyas o el cabello largo pueden quedar atrapados en las partes que se mueven.
- **Si se proporcionan dispositivos para la conexión de instalaciones de recolección y extracción de polvo, asegúrese de que estos se conecten y utilicen de manera pertinente.** El uso de recolectores de polvo puede reducir los peligros relacionados con el polvo.
- **No se confíe de los conocimientos obtenidos a partir del uso frecuente de las herramientas ni pase por alto los principios de seguridad de uso de las herramientas.** Una acción negligente puede causar una lesión grave en una fracción de segundo.

Uso y cuidado del producto

- **No fuerce el producto. Utilice el producto correcto según su aplicación.** Con el producto correcto, hará el trabajo mejor y de manera más segura a razón del propósito para el cual fue diseñado.
- **No utilice el producto si no se puede encender ni apagar con el interruptor.** Cualquier producto que no se puede controlar con el interruptor conlleva peligros y se debe reparar.
- **Desconecte el enchufe del producto de la fuente de energía, si es desmontable, antes de hacer ajustes, cambiar accesorios o almacenar el producto.** Tales medidas de seguridad preventivas reducen el riesgo de arranque accidental del producto.
- **Almacene el producto inactivo fuera del alcance de los niños y no permita que personas que no estén familiarizadas con el producto o con estas instrucciones operen el producto.** El producto conlleva peligros en manos de usuarios inexpertos.
- **Realice mantenimiento al producto y a los accesorios. Revise en busca de atascamiento o desalineación de las piezas móviles, rotura de piezas y cualquier otra condición que pueda afectar el funcionamiento del producto. Si está dañada, repare el producto antes de su uso.** Muchos de los accidentes se deben a productos con un mal mantenimiento.
- **Mantenga las herramientas de corte afiladas y limpias.** Las herramientas de corte con un mantenimiento correcto y bordes cortantes afilados son menos propensas a atascamientos y más fáciles de controlar.
- **Utilice el producto, los accesorios, las barrenas, etc. de acuerdo con estas instrucciones, conforme a las condiciones de trabajo y la tarea que se debe realizar.** El uso del producto en operaciones distintas de las previstas podría generar una situación peligrosa.
- **Mantenga los mangos y las superficies de agarre secos, limpios y sin grasa ni aceite.** Los mangos y

las superficies de agarre resbaladizas no permiten un manejo seguro ni el control de la herramienta en situaciones imprevistas.

Servicio

- Solo permita que un centro de servicio autorizado realice el mantenimiento y solo con piezas de repuesto aprobadas. Esto mantendrá la seguridad del producto.
- Consulte *Programa de mantenimiento en la página 46* para obtener más información.

Instrucciones de seguridad para el montaje



ADVERTENCIA:

Lea atentamente las instrucciones de advertencia siguientes antes de montar el producto.

- Las modificaciones o los accesorios no autorizados pueden provocar graves lesiones o incluso la muerte al usuario u otras personas.
- Utilice solo accesorios como se describe en este manual. Utilice solo accesorios recomendados por el fabricante.
- Asegúrese de que el área de montaje sea firme, de manera que el producto no se pueda volcar. Riesgo de daños personales y materiales.
- Tenga cuidado, los sujetadores de conmutación pueden causar daños al operador cuando ensamble el producto.

Instrucciones de seguridad para el funcionamiento



ADVERTENCIA:

Lea atentamente las instrucciones de advertencia siguientes antes de usar el producto.

- No opere el producto si el cable de alimentación o el enchufe se encuentran dañados.
- Si el producto no funciona correctamente, se cae, está dañado, se deja al aire libre o cae al agua, deje de operar el producto. Solicite a un taller de servicio autorizado que repare el producto.
- Asegúrese de que el motor y todos los controles estén apagados antes de desconectar el cable de alimentación.
- Desconecte el cable de alimentación de la toma de corriente cuando no utilice el producto, antes de realizar tareas de mantenimiento o antes de alejarse del producto.
- No tire del cable de alimentación para desconectar el cable de alimentación de la toma de corriente.

Siempre tire del enchufe para desconectarlo de la toma de corriente.

- No opere el producto a temperaturas inferiores a -10 °C.
- No opere el producto si existe riesgo de explosión o en áreas donde haya materiales o líquidos inflamables.
- No introduzca objetos en las aberturas.
- No opere si una abertura está bloqueada. Quite el polvo, las pelusas, el cabello u otro material que pueda disminuir el flujo de aire.
- No opere el producto ni tire del enchufe con las manos mojadas.
- Mantenga el cabello, la ropa suelta y todas las partes del cuerpo lejos de las aberturas y las piezas móviles.
- Opere el producto con mucho cuidado en las escaleras para evitar daños y lesiones si el producto cae.
- Asegúrese de que siempre se pueda detener el motor rápidamente en caso de emergencia.
- Bloquee siempre las ruedas de transporte si trabaja sobre una superficie irregular.
- No utilice el producto sin una bolsa Longopac y filtros instalados. Reemplace la bolsa Longopac y los filtros, tal como se indica en este manual.
- Si el producto presenta una vibración o un nivel de ruido inusuales, deténgalo de inmediato y desconecte la fuente de alimentación. Examine el producto en busca de daños. La vibración inusual suele ser una advertencia de daños. Repare los daños o solicite a un taller de servicio autorizado que realice la reparación.
- Siempre utilice accesorios homologados. Comuníquese con su representante Husqvarna para obtener más información.

- Use guantes protectores.
- Use zapatos protectores.

Instrucciones de seguridad para el mantenimiento



ADVERTENCIA:

Lea atentamente las instrucciones de advertencia siguientes antes de usar el producto.

- Si el mantenimiento no se realiza de manera correcta y regular, aumenta el riesgo de sufrir lesiones y causar daños en el producto.
- Utilice el equipo de protección personal. Consulte *Instrucciones de seguridad para el funcionamiento en la página 35*.
- Desconecte el producto de la fuente de alimentación antes de hacerle un mantenimiento.
- No modifique el producto. Las modificaciones en el producto que no están aprobadas por el fabricante pueden causar daños graves o la muerte.
- Utilice siempre accesorios y piezas de repuesto originales. El uso de accesorios y piezas de repuesto que no estén aprobados por el fabricante puede causar daños graves o la muerte.
- Cambie las piezas dañadas, desgastadas o rotas.
- Solo realice tareas de mantenimiento como se indica en el presente manual del usuario. Solicite que un taller de servicio autorizado realice todos los otros servicios.
- Si es necesario reemplazar el cable de alimentación, el fabricante o el agente deben hacerlo para evitar riesgos de seguridad.
- Procure realizar las tareas de mantenimiento con regularidad en un taller de servicio aprobado.

Equipo de protección personal



ADVERTENCIA:

Lea atentamente las instrucciones de advertencia siguientes antes de usar el producto.

- Utilice siempre el equipo de protección personal aprobado cuando utilice el producto. El equipo de protección personal no puede impedir el riesgo de lesiones, pero disminuirá el grado de lesión si ocurre un accidente. Solicite a su concesionario que lo ayude a seleccionar el equipo de protección personal correcto.
- Realice periódicamente una comprobación del estado del equipo de protección personal.
- Utilice un casco protector aprobado.
- Use protección auricular aprobada.
- Use protección respiratoria aprobada con clase P2 o superior.
- Use protección ocular homologada.

Dispositivos de seguridad en el producto



ADVERTENCIA:

Lea atentamente las instrucciones de advertencia siguientes antes de usar el producto.

- Nunca utilice un producto que tenga un equipo de seguridad defectuoso. Si la máquina no aprueba alguna comprobación, póngase en contacto con su taller de servicio para repararla.
- No utilice el producto si las placas de protección, las cubiertas de protección, los interruptores de seguridad u otros dispositivos protectores no están acoplados o están defectuosos.

Utilice siempre el sentido común



ADVERTENCIA:

Bajo ninguna circunstancia debe modificar el diseño original de la máquina sin la aprobación del fabricante. Utilice siempre piezas de repuesto originales. Las modificaciones o los accesorios no autorizados pueden provocar lesiones graves o fatales al usuario u otras personas.



ADVERTENCIA:

El uso de máquinas tales como cortadoras, amoladoras, taladros, que liján o dan forma a materiales, puede generar polvo y vapores que pueden contener productos químicos peligrosos. Compruebe el origen del material que va a procesar y utilice una máscara respiratoria adecuada.

No es posible abordar todas las situaciones posibles que puede afrontar cuando utiliza el producto. Siempre tenga cuidado y use su sentido común. Evite todas las situaciones que considere que están más allá de su capacidad. Si todavía se siente inseguro acerca de los procedimientos operativos después de leer estas instrucciones, debe consultar a un experto antes de continuar.

No dude en comunicarse con su Husqvarna representante si tiene preguntas sobre el uso del producto. Estaremos encantados de brindarle consejos y asesoría, además de prestarle ayuda con el uso del producto de forma eficiente y segura.

Permita que su distribuidor de Husqvarna revise regularmente el producto y realice los ajustes y las reparaciones necesarios.

Husqvarna AB tiene una política de desarrollo continuo de productos. Husqvarna se reserva el derecho de modificar el diseño y el aspecto de los productos sin previo aviso y de presentar modificaciones al diseño sin compromisos ulteriores.

Toda la información y todos los datos en el manual del usuario estaban vigentes en el momento en que el manual del usuario se envió a impresión.

Bluetooth®



PRECAUCIÓN: Los cambios o las modificaciones realizados al equipo que no cuentan con una aprobación expresa de Husqvarna podrían anular la autorización de FCC para hacer funcionar el equipo.

Aviso: Este dispositivo cumple con la Parte 15 de las Reglas de FCC y con las normas RSS exentas de licencia de Industry Canada. El funcionamiento está sujeto a las siguientes dos condiciones:

- Este dispositivo no puede causar interferencias perjudiciales.
- Este dispositivo debe aceptar cualquier interferencia que se reciba, incluida la interferencia que pueda causar una operación no deseada.

Nota: Este equipo se probó y se comprobó que cumple con los límites para un dispositivo digital de Clase B, de acuerdo con la Parte 15 de las reglas de FCC. Estos límites están diseñados para proporcionar una protección razonable contra interferencias perjudiciales en una instalación residencial. Este equipo genera, utiliza y puede irradiar energía de radiofrecuencia y, si no se instala ni se utiliza según las instrucciones, puede causar interferencias perjudiciales para las radiocomunicaciones. Sin embargo, no hay garantía de que no se producirán interferencias en una instalación particular. Si este equipo causa una interferencia perjudicial a la recepción de radio o televisión, lo que se puede determinar apagando o encendiendo el equipo, se aconseja al usuario que trate de corregir las interferencias mediante una de las siguientes medidas:

- Reoriente o reubique la antena receptora.
- Aumente la separación entre el equipo y el receptor.
- Conecte el equipo a una toma de un circuito diferente del que está conectado al receptor.
- Consulte a un distribuidor o técnico de radio o televisión experimentado para obtener ayuda.

Le présent appareil est conforme aux CNR d'Industrie Canada applicables aux appareils radio exempts de licence. L'exploitation est autorisée aux deux conditions suivantes:

- l'appareil ne doit pas produire de brouillage, et
- l'appareil doit accepter tout brouillage radioélectrique subi, même si le brouillage est susceptible d'en compromettre le fonctionnement.

Declaración de conformidad del proveedor para Husqvarna DE 110, DE 120

47 CFR § 2.1077 Información de cumplimiento

Parte responsable

Husqvarna Construction Products North America Inc.

17400 W 119th Street

Olathe, Kansas 66061

EE. UU.

Información de contacto para EE. UU.: Neil Stanford,
gerente de cumplimiento, número de teléfono:
913-928-1000

GUARDE ESTAS INSTRUCCIONES

Funcionamiento

Instrucciones para la conexión a tierra del producto



ADVERTENCIA:

Una conexión incorrecta puede provocar una descarga eléctrica. Hable con un electricista certificado si no tiene la seguridad de que el producto está correctamente conectado a tierra.

No modifique la especificación de fábrica del enchufe. Si el enchufe o el cable de alimentación está dañado o se debe reemplazar, hable con su agente de servicio de Husqvarna. Obedezca las normas y las leyes locales.

Si no comprende perfectamente las instrucciones sobre la conexión a tierra del producto, póngase en contacto con un electricista certificado.

Solo utilice cables de extensión para exteriores con conectores de conexión a tierra y tomas de tierra que acepten el enchufe de alimentación del producto.

El producto cuenta con un cable de alimentación y un enchufe con conexión a tierra. Conecte siempre el producto a una toma de corriente con conexión a tierra. Esto reduce el riesgo de descarga eléctrica si ocurre una falla.

Utilice el circuito de suministro nominal de 120 V con este producto.

No utilice adaptadores eléctricos para el producto.

Producto con potencia nominal superior a 15 A



ADVERTENCIA:

No utilice un adaptador con un producto en el cual la potencia nominal sea superior a 15 A.



ADVERTENCIA:

Asegúrese de que el enchufe de alimentación del producto coincida con la toma de corriente.

Si su producto tiene una potencia nominal de más de 15 A, se suministra del fabricante con el cable de alimentación y el enchufe de alimentación correctos para la conexión a la toma de corriente.

Producto con potencia nominal inferior a 15 A



ADVERTENCIA:

Asegúrese de que el enchufe de alimentación del producto coincida con la toma de corriente.



ADVERTENCIA:

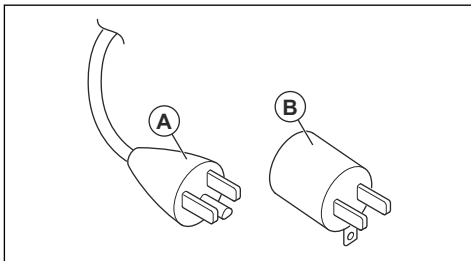
No se permite el uso de un adaptador temporal en Canadá. Consulte C22.1.



ADVERTENCIA:

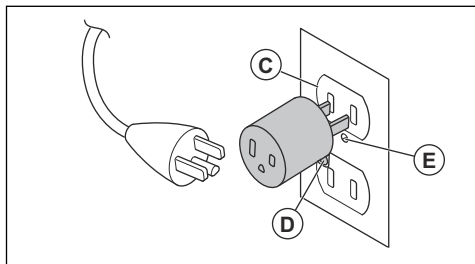
Utilice únicamente el adaptador temporal hasta que un electricista aprobado pueda instalar una toma de corriente con conexión a tierra.

El enchufe de alimentación (A) está conectado a tierra y se puede utilizar con o sin un adaptador temporal (B).

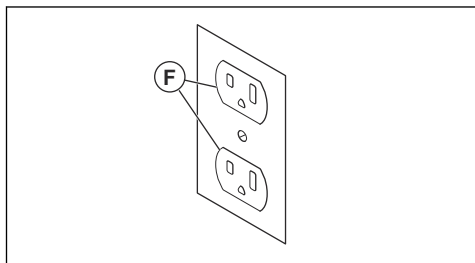


Utilice un adaptador cuando la toma (C) no esté conectada a tierra. Utilice el adaptador temporal para conectar el enchufe a la toma que no esté conectada a tierra. La pestaña del tornillo de conexión a tierra (D) del adaptador debe estar conectada a una cubierta de caja de distribución eléctrica con conexión a tierra.

Debe utilizar el tornillo de metal (E) para mantener el adaptador en su posición.



No utilice un adaptador si la toma (F) está conectada a tierra.



Haga lo siguiente antes de usar el producto



ADVERTENCIA:

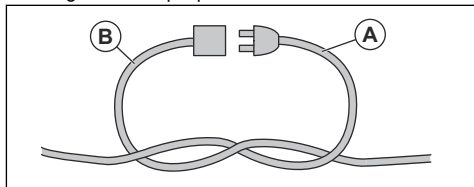
Para evitar el riesgo de lesiones, asegúrese de conectar completamente el conector del producto al cable de extensión. Realice comprobaciones con regularidad de la conexión mientras opera el producto para asegurarse de que esté completamente conectado. No utilice un cable de extensión que haga una conexión floja.

Nota: Las condiciones de funcionamiento son 800 m/2625 pies de altitud máxima, temperatura entre -10 °C/14 °F y +40 °C/104 °F, y humedad del 85 %.

Nota: Lea el manual de instrucciones del equipo conectado cuidadosamente. Si se proporcionan requisitos o ajustes especificados para el extractor de polvo, asegúrese de cumplirlos.

1. Lea atentamente el manual del usuario y asegúrese de entender las instrucciones.
2. Realice el mantenimiento diario. Consulte *Programa de mantenimiento en la página 46*.
3. Asegúrese de que la zona de trabajo esté limpia e iluminada.

4. Utilice el equipo de protección personal. Consulte *Equipo de protección personal en la página 36*.
5. Asegúrese de que el producto esté instalado correctamente.
6. Asegúrese de que la frecuencia y la tensión que se muestran en la placa de identificación coincidan con la tensión de la fuente de alimentación. Esto también aplica para los cables de extensión.
7. Conecte el cable del producto (A) con el cable de extensión (B) durante el funcionamiento para asegurarse de que permanezca conectado.



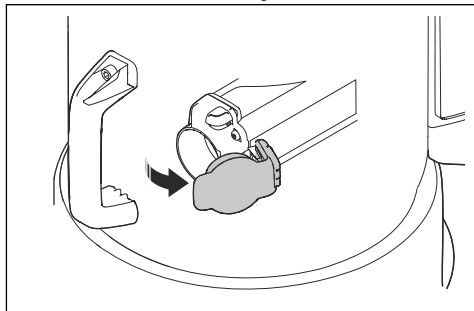
Para conectar la manguera de extracción de polvo



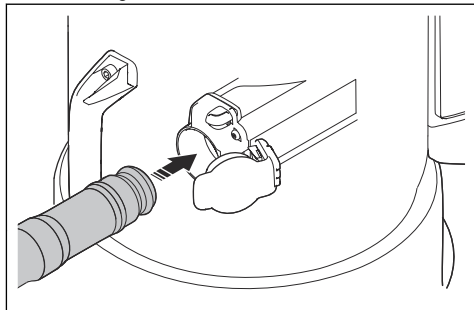
ADVERTENCIA:

Utilice una manguera antiestática para evitar los efectos antiestáticos.

1. Abra el conector de la manguera.



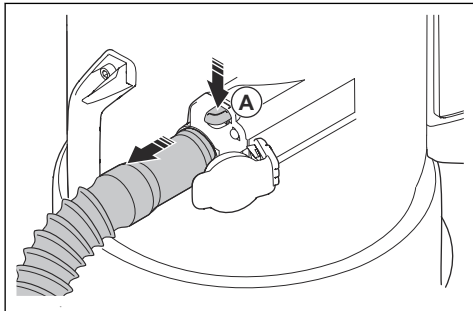
2. Coloque el adaptador de manguera en el conector de la manguera.



- Empuje el adaptador de manguera hasta que oiga un clic para colocarlo en la posición correcta.

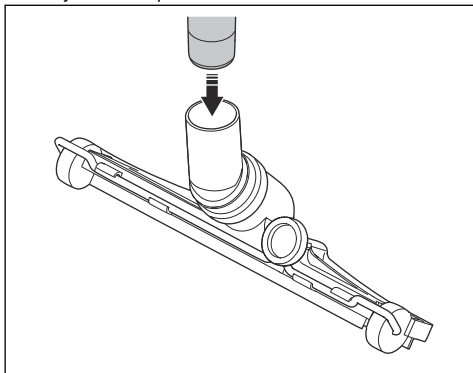
Para quitar la manguera de extracción de polvo

- Presione el botón de bloqueo de la manguera (A) y tire de la manguera de extracción de polvo.

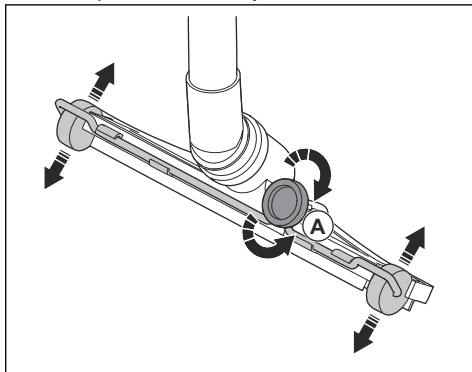


Para conectar y ajustar la boquilla inferior

- Coloque el extremo de la manija completamente en el eje de la boquilla inferior.



- Gire la perilla (A) en la parte trasera de la boquilla inferior para ajustar las ruedas de la boquilla inferior. Debido a las distintas superficies y los diferentes tipos de polvo y materiales, es necesario ajustar las ruedas para obtener el mejor rendimiento.



Bluetooth® tecnología inalámbrica

Los productos con tecnología inalámbrica Bluetooth® integrada se pueden conectar a dispositivos móviles y habilitan funciones adicionales desde Husqvarna Connect.

El símbolo de tecnología inalámbrica *Bluetooth*® se enciende cuando el dispositivo móvil está conectado al producto.



Para utilizar la conectividad integrada con una flota

Nota: Esta sección solo se aplica a los productos suministrados con conectividad integrada.

Nota: La radiotransmisión mediante la función de Bluetooth® se activará en la primera conexión a la toma de corriente y permanecerá encendida a partir de ese momento.

- Descargue la aplicación Husqvarna Fleet Services para iOS o Android Husqvarna Fleet Services.
- Visite el sitio Web de Husqvarna Fleet Services <https://fleetservices.husqvarna.com> para obtener más información.

Para bloquear y desbloquear las ruedas de transporte

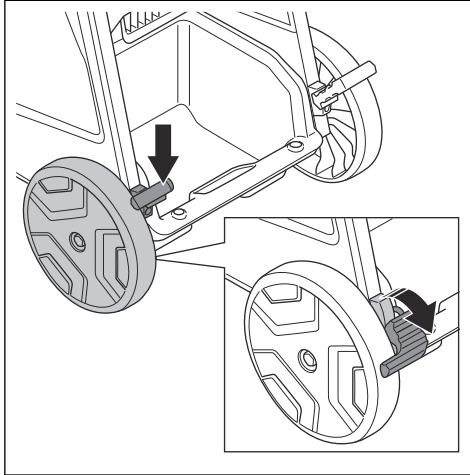
Para operar en una superficie con pendiente, es necesario bloquear las ruedas de transporte.



ADVERTENCIA:

Las ruedas y los cojinetes deben estar limpios y sin polvo para un funcionamiento seguro. Consulte *Programa de mantenimiento en la página 46*.

1. Mantenga el producto en una posición fija y segura.
2. Empuje hacia abajo el freno de las ruedas en cada lado para bloquearlas.



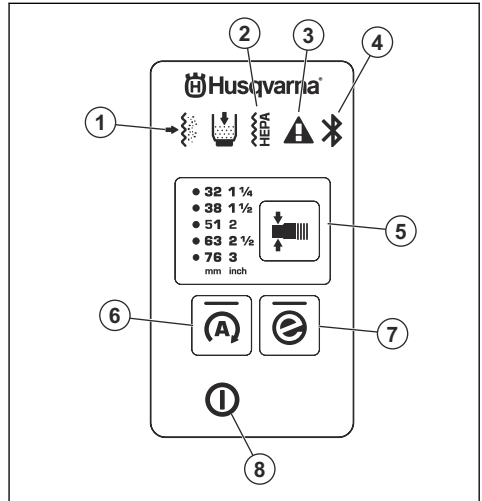
Nota: El DE 110S/DE 110 tiene solo 1 freno de rueda.

3. Tire hacia arriba los frenos de las ruedas para desbloquearlas.

Funciones del panel de control

El panel de control controla y supervisa funciones y configuraciones importantes del producto. Consulte *Advertencias en el panel de control (DE 110/DE120)*

en la página 52 a fin de obtener soluciones para las advertencias.



1. El prefiltro está obstruido. Consulte *Para quitar las partículas de polvo del prefiltro durante el funcionamiento en la página 43*.
2. El filtro HEPA está obstruido, dañado o no está. Consulte *Advertencias en el panel de control (DE 110/DE120) en la página 52*.
3. ¡Advertencia! Consulte *Advertencias en el panel de control (DE 110/DE120) en la página 52*.
4. Conexión Bluetooth®. Consulte *Para utilizar la conectividad integrada con una flota en la página 40*.
5. Función de cambio de diámetro de la manguera, consulte *Para seleccionar el diámetro de la boquilla de la manguera en la página 42*.
6. Inicio automático, consulte *Función de inicio automático (solo DE 110S y DE 110 de 230 V) en la página 41*.
7. Botón-Flow, consulte *Función en la página 41*.
8. Botón On/Off

Función

El producto cuenta con una función e-Flow. Esta función ajusta automáticamente el flujo de aire a la carga de trabajo para un rendimiento óptimo. El producto siempre arranca con la última configuración utilizada.

Consulte *Funciones del panel de control en la página 41* para conectar o desconectar la función.

Función de inicio automático (solo DE 110S y DE 110 de 230 V)

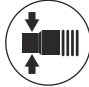


El producto se puede utilizar para recoger el polvo de equipos, como una amoladora o una cortadora. Cuando inicia el equipo que está conectado a la toma eléctrica del producto, el producto arranca automáticamente. Cuando detiene el equipo, el producto funciona durante

aproximadamente 10 segundos para vaciar la manguera y, luego, se detiene.

Sistema de advertencia del flujo de aire

El flujo de aire en la manguera de aspiración debe ser superior a 20 m/s (66 pies/s).

Para obtener información sobre el flujo de aire mínimo con el diámetro de manguera seleccionado, consulte la tabla.

Niveles de alarma de flujo de aire					
					
mm	in	m ³ /h	CFM		
21	5/6	25	15		
27	1	41	24		
32	1¼	58	34		
38	1 ½	82	48		
42	1 ¾	100	59		
51	2	147	87		
63	2 ½	224	132		
76	3	327	192		

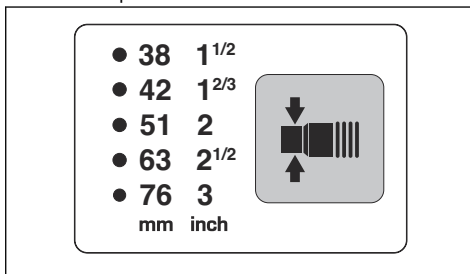
Nota: Si el flujo de aire es inferior a 20 m/s (66 pies/s), se encenderán la alarma de sonido y el símbolo de advertencia. Consulte *Advertencias en el panel de control (DE 110/DE120)* en la página 52.

Para seleccionar el diámetro de la boquilla de la manguera

Nota: Si no selecciona el diámetro correcto de la manguera, se encenderá el sistema de advertencia de flujo de aire.

Cuando se inicia el producto, se selecciona automáticamente el último diámetro de manguera seleccionado.

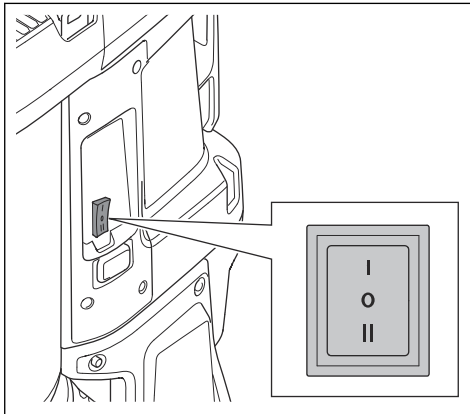
- Presione el botón para seleccionar el diámetro correcto de la manguera. El LED verde indica el diámetro que ha seleccionado.



Para arrancar y detener el DE 110S

Nota: Espere 5 segundos después de iniciar el producto para operar con la máxima succión. La succión no estará a plena capacidad apenas se inicia.

1. Asegúrese de que la frecuencia y la tensión que se muestran en la placa de características coincidan con la fuente de alimentación.
2. Asegúrese de que el interruptor ON/OFF está en la posición "0".
3. Conecte el producto a una toma de corriente adecuada.
4. Presione el interruptor encender/apagar.

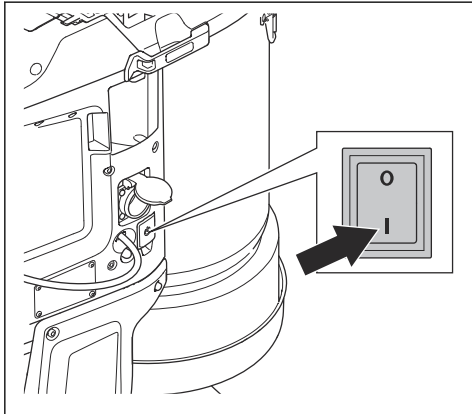


- a) Presione "I" para iniciar el producto.
 - b) Presione "II" para el arranque automático. Consulte *Función de inicio automático (solo DE 110S y DE 110 de 230 V)* en la página 41.
5. Para detener el producto, coloque el interruptor encender/apagar en "0".
 6. Desconecte el producto de la toma de corriente.

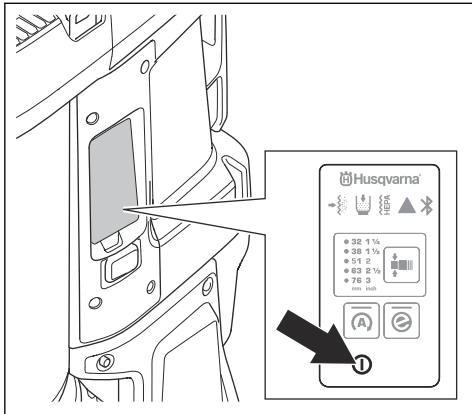
Para arrancar y detener DE 110/DE 120

Nota: Espere 5 segundos después de iniciar el producto para operar con la máxima succión. La succión no estará a plena capacidad apenas se inicia.

1. Asegúrese de que la frecuencia y la tensión que se muestran en la placa de características coincidan con la fuente de alimentación.
2. Conecte el producto a una toma de corriente adecuada.
3. Presione "I" en el interruptor principal para arrancar el producto.



4. Presione el botón encender/apagar para iniciar y detener el funcionamiento.



- a) Presione "I" para iniciar el funcionamiento.
- b) Presione "A" para iniciar el funcionamiento automático. Consulte *Función de inicio automático (solo DE 110S y DE 110 de 230 V) en la página 41.*

5. Para detener el funcionamiento, presione el botón encender/apagar. El botón se apaga cuando se detiene el funcionamiento.
6. Presione "0" en el interruptor principal para detener el producto.
7. Desconecte el producto de la toma de corriente.

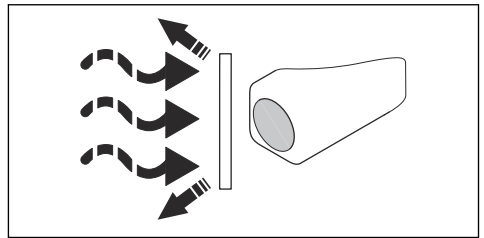
Medidor de horas (DE 110/DE120)

El medidor de horas muestra el tiempo total de funcionamiento del producto en horas.

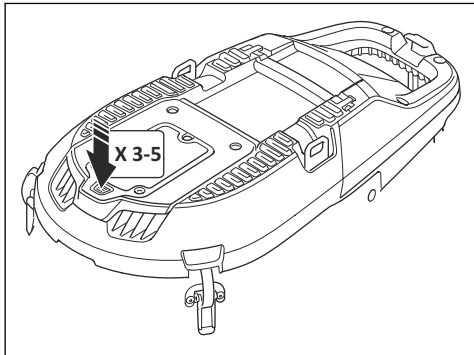
Para quitar las partículas de polvo del prefiltro durante el funcionamiento

El procedimiento de purga del filtro limpia el prefiltro de material no deseado. Realice el procedimiento en estas situaciones:

- Antes de un receso de trabajo o al final de cada día de trabajo. Si el producto está apagado durante un tiempo, da más tiempo para que el polvo caiga. Esto hace que el procedimiento de purga del filtro sea más potente.
 - Cuando la succión no es suficiente.
 - Antes de la instalación de una nueva bolsa Longopac.
 - Cuando se enciende la alarma de prefiltro obstruido. Consulte las instrucciones en la etiqueta de la cubierta del prefiltro.
1. Encienda el producto. Consulte *Para arrancar y detener el DE 110S en la página 42* o *Para arrancar y detener DE 110/DE 120 en la página 43.*
 2. Cierre el flujo de aire que pasa a través de la toma de aire con el tapón de la toma de aire o la válvula de admisión crear vacío.



- Espera 5 segundos hasta que se realice el vacío y, luego, presione el botón de purga del filtro. Realice este paso de 3 a 5 veces. Es importante dejar que el producto cree vacío entre cada pulsación del botón.



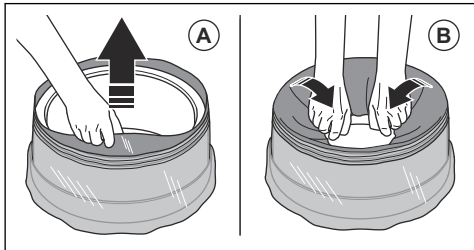
Si la succión no es suficiente después de este procedimiento, es necesario limpiar el prefiltro con agua. Consulte *Para limpiar el prefiltro con agua en la página 48*.

Para instalar un nuevo casete de bolsa Longopac

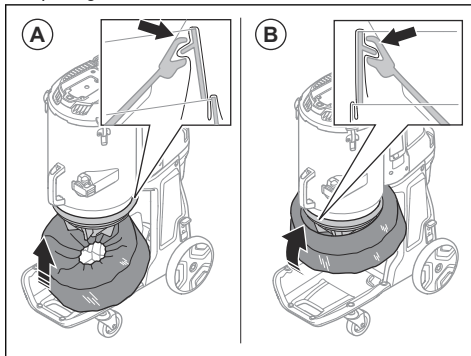


PRECAUCIÓN: Limpie el prefiltro antes de instalar un nuevo casete Longopac. Consulte *Para quitar las partículas de polvo del prefiltro durante el funcionamiento en la página 43*.

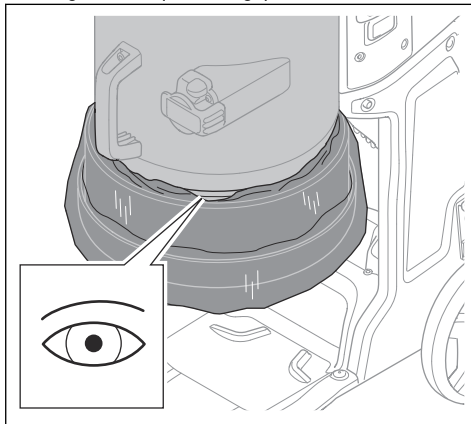
- Coloque el casete Longopac alrededor del borde interior del soporte Longopac.
- Quite las 4 correas después de colocar el Longopac en el soporte.
- Tire la capa interior del casete Longopac hacia arriba (A) y plíeugelo en el soporte (B).



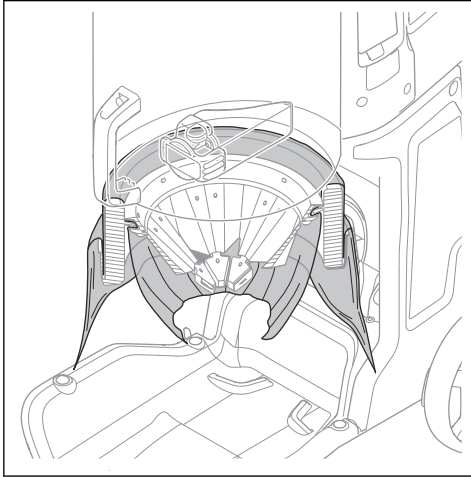
- Adjunte el soporte Longopac en la parte trasera del recipiente (A). Luego, conecte el soporte Longopac en los lados y en la parte delantera del recipiente (B). Empuje el soporte Longopac hacia arriba hasta que oiga un clic fuerte.



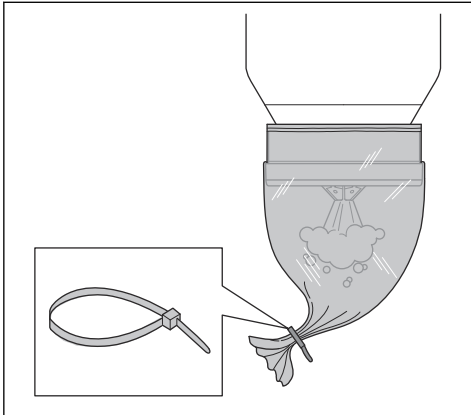
- Asegúrese de que el Longopac esté sellado.



6. Tire la capa exterior del casete Longopac hacia abajo.



7. Cierre la parte inferior del Longopac con un sujetacables.



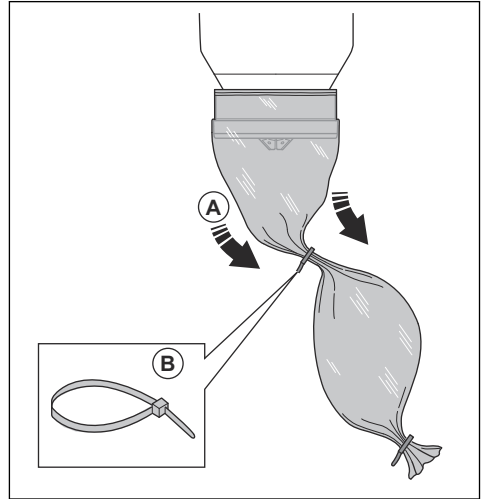
Para desechar una bolsa Longopac llena y preparar una bolsa Longopac nueva



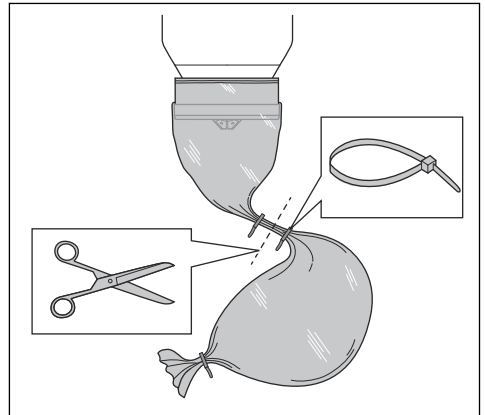
ADVERTENCIA:

Levante la bolsa Longopac con precaución; una bolsa Longopac llena puede ser pesada. Asegúrese de que los sujetacables estén cerrados correctamente antes de levantar la bolsa Longopac.

1. Extraiga la bolsa Longopac (A) y fije un sujetacables (B) con el fin de cerrar la nueva bolsa Longopac.



2. Agite el polvo en la bolsa Longopac usada.
3. Coloque un sujetacables de 10 cm/3,9 pulgadas por debajo del primer sujetacables para cerrar la bolsa Longopac usada. Corte la bolsa Longopac entre los sujetacables.



4. Si la parte restante del casete de bolsa Longopac es demasiado pequeña para preparar una nueva bolsa Longopac, instale un nuevo casete de bolsa Longopac. Consulte *Para instalar un nuevo casete de bolsa Longopac en la página 44*.
5. Cumpla con las normativas locales para la eliminación de la bolsa Longopac llena.

Para hacer después de finalizar el trabajo

1. Realice el procedimiento de purga del filtro. Consulte *Para quitar las partículas de polvo del prefiltro durante el funcionamiento en la página 43.*
2. Detenga el producto, consulte *Para arrancar y detener el DE 110S en la página 42 o Para arrancar y detener DE 110/DE 120 en la página 43.*
3. Deseche la bolsa Longopac. Consulte *Para desechar una bolsa Longopac llena y preparar una bolsa Longopac nueva en la página 45.*
4. Limpie la máquina. Consulte *Para limpiar el producto en la página 47.*
5. Prepare el producto para el transporte. Consulte *Para mover el producto en distancias largas en la página 54.*

Mantenimiento

Presentación



ADVERTENCIA:

Los accidentes relacionados con el producto ocurren durante la solución de problemas y el mantenimiento, ya que el operador debe estar en el área de riesgo del producto. El operador debe ser cuidadoso, planificar y preparar el trabajo para evitar accidentes.



ADVERTENCIA:

Antes de realizar el mantenimiento, asegúrese de que el interruptor del motor y el interruptor de la bomba estén en las posiciones de OFF. Desconecte el cable de alimentación y retire el cable de la bomba.



ADVERTENCIA:

Solo permita que un electricista aprobado realice todas las comprobaciones de los componentes eléctricos.



ADVERTENCIA:

Asegúrese de no hacer un orificio en el filtro. Riesgo de dispersión de polvo.



ADVERTENCIA:

Asegúrese de cumplir con todas las normativas locales para eliminar el polvo peligroso correctamente, antes y durante el mantenimiento.



ADVERTENCIA:

El fabricante, o una persona instruida, debe realizar una inspección técnica, al menos, una vez al año. La inspección técnica incluye la inspección de los filtros para ver si están dañados, la hermeticidad del producto y el correcto funcionamiento del mecanismo de control. Además, la eficiencia de la filtración del producto debe probarse, al menos, una vez al año o con mayor frecuencia; según lo especifiquen los requisitos nacionales. Si no se realiza la prueba, el filtro HEPA debe ser sustituido por uno nuevo.

Programa de mantenimiento

Los intervalos de mantenimiento se calculan a partir del uso diario del producto. Los intervalos cambian si el producto no se utiliza a diario.

Mantenimiento	Antes de cada uso	A diario	Una vez por semana	Cuando la aspiración es baja	Cada 6 meses o 600 h	Cada 12 meses o 2000 h
Realice el procedimiento de purga del filtro. Consulte <i>Para quitar las partículas de polvo del prefiltro durante el funcionamiento en la página 43.</i>	X					
Busque indicios de desgaste o daños en el cono de goma de liberación de polvo.	X					

Mantenimiento	Antes de cada uso	A diario	Una vez por semana	Cuando la aspiración es baja	Cada 6 meses o 600 h	Cada 12 meses o 2000 h
Revise el enchufe y el cable de alimentación.	X					
Busque signos de desgaste, daños o conexiones sueltas de los controles antes de conectar la unidad.	X					
Revise la manguera y los conectores de la manguera.	X					
Busque indicios de desgaste o daños en las piezas de plástico.	X					
Compruebe los cáncamos.	X					
Asegúrese de que el Longopac sea el correcto y esté correctamente instalado. Consulte <i>Para instalar un nuevo casete de bolsa Longopac en la página 44.</i>		X				
Compruebe la función de purga del filtro.		X				
Verifique las ruedas. Busque si hay daños y conexiones incorrectas.			X			
Verifique los sellos de los filtros.			X			
Realice el procedimiento de purga del filtro. Si la succión sigue sin ser suficiente, limpie el prefiltro con agua. Consulte <i>Para limpiar el prefiltro con agua en la página 48.</i>				X		
Reemplace el prefiltro limpio si la succión sigue sin ser suficiente. Consulte <i>Para reemplazar el prefiltro en la página 49.</i>				X		X
Reemplace el filtro HEPA.				X	X	
Reemplace el cono de goma de liberación de polvo.						X
Reemplace las piezas de goma de limpieza del filtro.						X

Para verificar las funciones del panel de control

1. Encienda el producto. Consulte la sección *Para arrancar y detener DE 110/DE 120 en la página 43.*
2. Mantenga presionado el botón encender/apagar. Consulte *Funciones del panel de control en la página 41*
3. Asegúrese de que el producto se detenga y que el LED verde se apague.

Para limpiar el producto

El funcionamiento puede causar contaminación en todas las piezas del producto y en todos los equipos usados. Por lo tanto, es necesario limpiar todas las piezas del producto y todos los equipos usados de forma completa y cuidadosa.



ADVERTENCIA:

Desconecte el producto de la fuente de alimentación.



ADVERTENCIA:

Limpié el producto antes de sacarlo del área de trabajo. El polvo restante en el producto puede salir al aire y provocar riesgos para la salud.

- Utilice el equipo de protección personal. Consulte *Equipo de protección personal en la página 36*.
- No limpie el producto con una hidrolavadora ni aire comprimido.
- Limpie la superficie externa con un paño húmedo.
- No use agua en componentes eléctricos.
- Limpie los filtros como se indica en y *Para reemplazar el filtro HEPA en la página 49*.
- Después de realizar el mantenimiento, coloque las piezas desechadas en bolsas de plástico. Consulte las normativas locales para conocer el procedimiento correcto.
- Si utiliza agua para limpiar el producto, quite el prefiltro y el Longopac antes de limpiar. Asegúrese también de que no entre agua en el filtro HEPA.

Para limpiar el prefiltro con agua



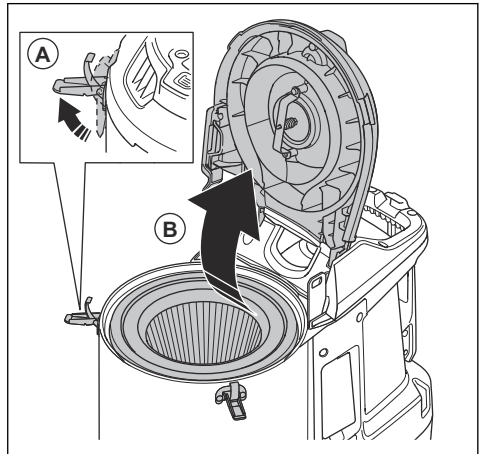
PRECAUCIÓN: No utilice una hidrolavadora ni aire comprimido para limpiar el prefiltro. No golpee el prefiltro con fuerza para limpiarlo.



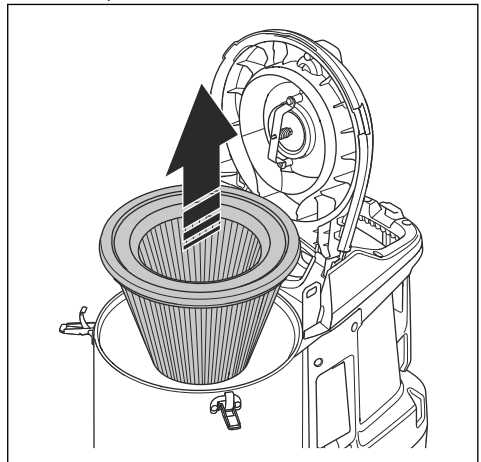
PRECAUCIÓN: No permita que se seque bajo la luz solar directa. Los sellos se secarán.

Nota: Limpiar con agua disminuirá gradualmente la eficiencia del filtro.

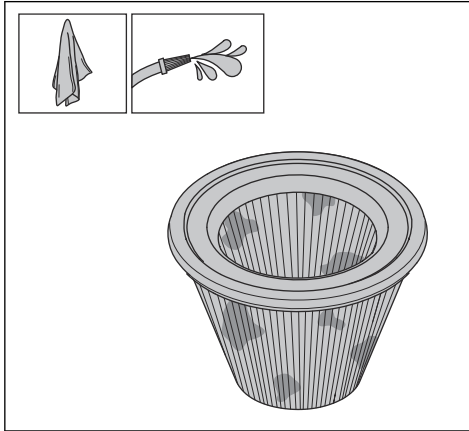
1. Afloje las trabas de la cubierta (A) y abra la cubierta del prefiltro (B).



2. Quite el prefiltro.



3. Limpie el prefiltro con agua corriente desde la superficie interior del prefiltro.



PRECAUCIÓN: La presión del agua no debe ser superior a 4 bares.



PRECAUCIÓN: Evite golpear o arrastrar elementos sobre la superficie del filtro, ya que dañará el filtro.

4. Deje que el prefiltro se seque por completo.



PRECAUCIÓN: El prefiltro debe estar completamente seco antes de instalarlo en el alojamiento.

5. Instale el prefiltro, cierre la cubierta del prefiltro y apriete las trabas de la cubierta.

Si el prefiltro no se puede limpiar por completo o si está dañado, se debe reemplazar. Consulte *Para reemplazar el prefiltro en la página 49*.

Sustitución del filtro



ADVERTENCIA:

Utilice el equipo de protección personal. Consulte *Equipo de protección personal en la página 36*. Se puede liberar polvo peligroso al aire durante el reemplazo del filtro.



ADVERTENCIA:

Detenga el producto y desconecte la fuente de alimentación antes de realizarle mantenimiento.

Para reemplazar el prefiltro

1. Quite el prefiltro. Consulte *Para limpiar el prefiltro con agua en la página 48*.
2. Coloque el prefiltro cuidadosamente en una bolsa de plástico.
3. Deseche la bolsa de plástico correctamente. Consulte las normativas locales.
4. Instale el prefiltro nuevo.

Si la succión no es suficiente cuando se instala un prefiltro nuevo, es necesario reemplazar el filtro HEPA. Consulte *Para reemplazar el filtro HEPA en la página 49*.

Para reemplazar el filtro HEPA

El filtro HEPA no se puede limpiar. Siempre es necesario reemplazarlo por un filtro HEPA nuevo. Utilice únicamente los filtros Husqvarna AB HEPA.



ADVERTENCIA:

Solo se permite que un centro de servicio autorizado o una autoridad autorizada reemplace el filtro HEPA.



ADVERTENCIA:

Siempre utilice equipo de protección personal, consulte *Equipo de protección personal en la página 36*.



ADVERTENCIA:

Las partículas en el filtro HEPA son peligrosas para la salud.



ADVERTENCIA:

Verifique que no haya orificios en el filtro HEPA. Un filtro HEPA dañado es un riesgo para la salud.

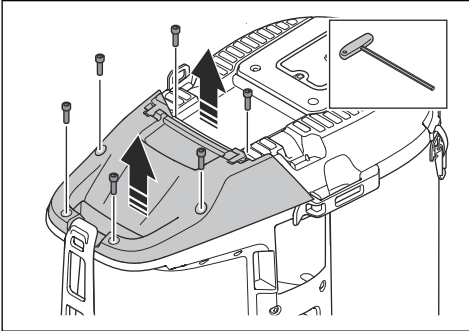


ADVERTENCIA: No instale un filtro HEPA usado. Si instala un filtro HEPA usado se pueden producir fugas y una menor eficiencia de filtración.

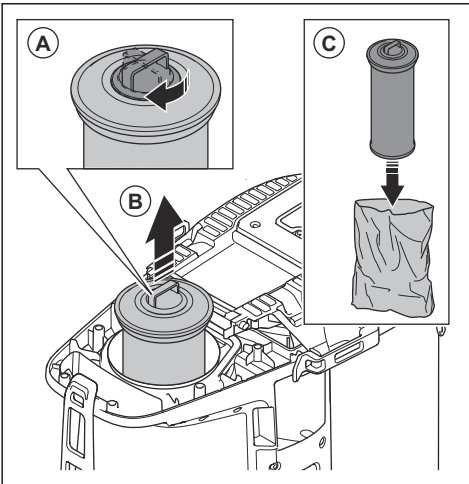


PRECAUCIÓN: No toque la superficie interior del filtro HEPA. Esto puede provocar daños al filtro HEPA.

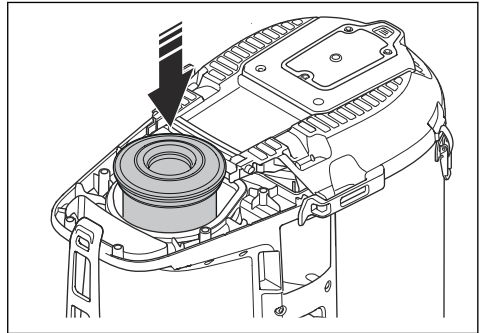
1. Afloje los seis tornillos y retire la cubierta del filtro HEPA.



2. Conecte la tapa contra el polvo (A) y tire hacia afuera el filtro HEPA. Colóquelo en una bolsa de plástico limpia (C).



3. Deseche la bolsa de plástico correctamente. Consulte las normativas locales.
4. Instale el nuevo filtro HEPA. Asegúrese de que el filtro HEPA se empuje a la posición final.



5. Instale la cubierta del filtro HEPA y apriete los seis tornillos.

Solución de problemas

Programa de solución de problemas

Problema	Causa	Solución
El motor se detiene inmediatamente después del arranque o no arranca.	No hay un medio de alimentación.	Conecte el producto a una fuente de alimentación.
	El cable de alimentación está defectuoso.	Solicite a un taller de servicio autorizado que repare el producto.
	Hay un corto circuito en el producto.	Solicite a un taller de servicio autorizado que repare el producto.
	El filtro HEPA está dañado o no está instalado (DE 110/DE 120).	Reemplace o instale el filtro HEPA.
	Tensión demasiado alta en la fuente de alimentación.	Asegúrese de utilizar la fuente de alimentación correcta.
	Temperatura ambiente demasiado alta.	Asegúrese de que la temperatura ambiente esté en el rango especificado cuando utilice el producto.
	El ventilador está roto o desconectado.	Solicite a un taller de servicio autorizado que repare el producto.
El motor está encendido, pero no hay succión.	La manguera de extracción de polvo no está conectada correctamente.	Conecte la manguera de extracción de polvo.
	La manguera de extracción de polvo está bloqueada.	Limpie la manguera de extracción de polvo.
	No hay bolsa Longopac.	Instale un casete Longopac.
	El Longopac no se cierra con un sujetacables.	Conecte un sujetacables.
La succión no es suficiente.	Tensión demasiado baja en la fuente de alimentación.	Asegúrese de utilizar la fuente de alimentación correcta.
	Hay un orificio en la manguera extractora de polvo.	Reemplace la manguera extractora de polvo.
	El prefiltro está obstruido.	Quite las partículas de polvo del prefiltro. Limpíelo o reemplácelo si es necesario.
	El filtro HEPA está obstruido.	Reemplace el filtro HEPA. Consulte <i>Para reemplazar el filtro HEPA en la página 49.</i>
	La cubierta superior está suelta.	Cierre completamente la cubierta superior.
	Los sellos están rotos.	Reemplace los sellos.
El polvo se libera al aire desde el motor.	Los filtros están mal instalados o dañados.	Instale los filtros correctamente. Cambie los filtros dañados.
El producto produce ruidos inusuales.	N/A	Solicite a un taller de servicio autorizado que repare el producto.

Advertencias en el panel de control (DE 110/DE120)



PRECAUCIÓN: No utilice el producto si se enciende la luz roja. Si la solución inicial no elimina el error, hable con un

taller de servicio aprobado antes de volver a operar el producto.

Símbolo	Fuerza de	Causa	Solución
	La señal del zumbador y la luz roja se encienden.	El prefiltro está obstruido.	Realice un procedimiento de purga del filtro, consulte <i>Para quitar las partículas de polvo del prefiltro durante el funcionamiento en la página 43.</i>
		Se ha conectado o seleccionado una manguera incorrecta en el panel de control.	Conecte la manguera correcta o seleccione la dimensión de manguera correcta en el panel de control.
		La manguera está dañada o comprimida.	Reemplace la manguera.
		La manguera está obstruida.	Despeje la manguera.
	La luz roja parpadea.	La manguera de vacío principal está desconectada.	Solicite a un taller de servicio autorizado que repare el producto.
	La luz roja se enciende.	Falta el filtro HEPA, está lleno o dañado.	Instale el HEPA si falta. Revise el filtro HEPA y reemplácelo si es necesario. Consulte <i>Para reemplazar el filtro HEPA en la página 49.</i>
	La luz roja se enciende.	La unidad de control está dañada.	Solicite a un taller de servicio autorizado que repare el producto.
		Temperatura ambiente demasiado alta.	Asegúrese de que la temperatura ambiente esté en el rango especificado cuando utilice el producto.
		¡Advertencia!	Observe el registro de operación de su aplicación de flota Husqvarna o hable con un taller de servicio aprobado.
	La luz amarilla se enciende.	El filtro HEPA está casi lleno.	Reemplace el filtro HEPA si es necesario.
	La luz roja se enciende.	El filtro HEPA está lleno.	Reemplace el filtro HEPA.

Códigos de error

Código de error	Error	Descripción de la pieza	Causas probables	Acciones
2	Falta el filtro HEPA.	El producto se apaga/no se inicia. + Luz de advertencia en la HMI. + Símbolo HEPA en la HMI.	Falta el filtro HEPA o está dañado.	Monte o reemplace el filtro HEPA.

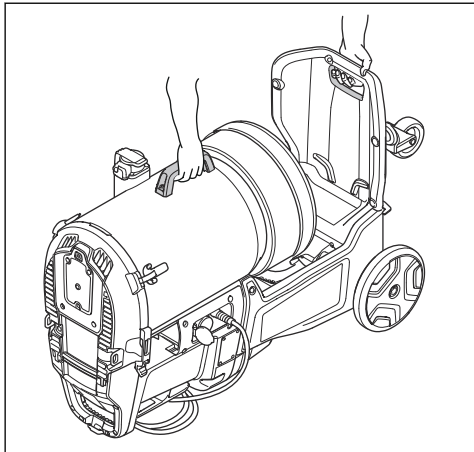
Código de error	Error	Descripción de la pieza	Causas probables	Acciones
3	Baja tensión de alimentación.	Bajo rendimiento (bajo flujo de aire/vacío).	Tensión demasiado baja en la red/fuente de alimentación.	Asegúrese de utilizar la red/fuente de alimentación correcta.
4	Alta tensión de alimentación.	El producto se apaga/no se inicia. + Luz de diodo de advertencia en la HMI.	Tensión demasiado alta en la red/fuente de alimentación.	Asegúrese de utilizar la red/fuente de alimentación correcta.
			Se utilizó una batería incorrecta.	Utilice la batería correcta.
5	Error del sensor principal de presión.	La luz del prefiltro parpadea en rojo.	La manguera de vacío está desconectada o bloqueada.	Comuníquese con un taller de servicio autorizado.
			La unidad de control está dañada.	
6	Temperatura de la PCBA demasiado alta.	El producto se apaga/no se inicia. + Luz de diodo de advertencia en la HMI.	Temperatura ambiente demasiado alta.	No utilice el producto fuera del rango de temperatura especificado.
7	Funcionamiento defectuoso del ventilador.	El producto se apaga/no se inicia. + Luz de diodo de advertencia en la HMI.	El ventilador está dañado o desconectado.	Comuníquese con un taller de servicio autorizado.
			La unidad de control está dañada.	
9	No se detectó comunicación con un cable.	El producto se apaga/no se inicia. + Luz de diodo de advertencia en la HMI.	Cable desconectado o dañado.	Comuníquese con un taller de servicio autorizado.

Transporte, almacenamiento y eliminación de residuos

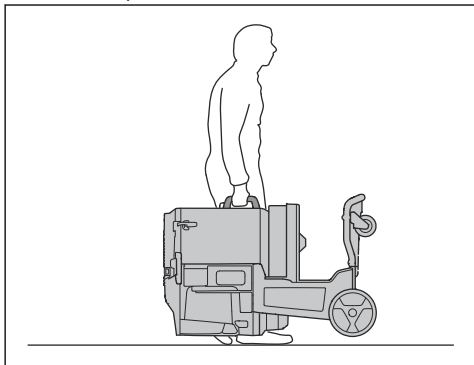
Para mover el producto en distancias cortas

Asegúrese de que la válvula de admisión esté cerrada.
Asegúrese de que las tapas contra el polvo estén en las mangueras.

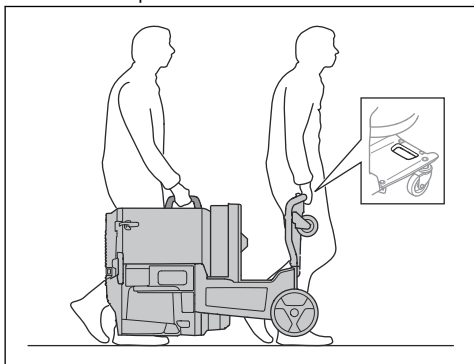
1. Coloque el producto en el piso.



2. Levante el producto manualmente.



3. Si 2 personas levantan el producto, asegúrese de utilizar los 2 puntos de elevación.

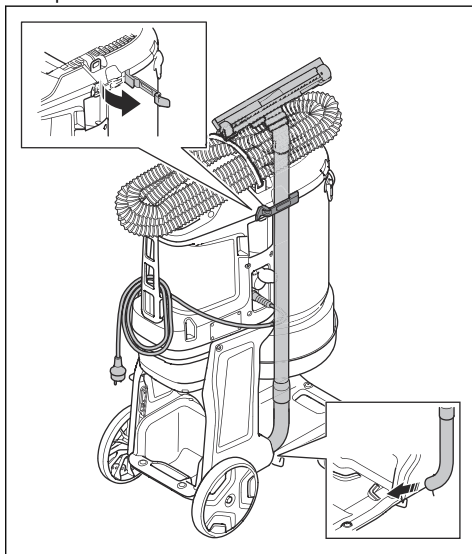


Para mover el producto en distancias largas

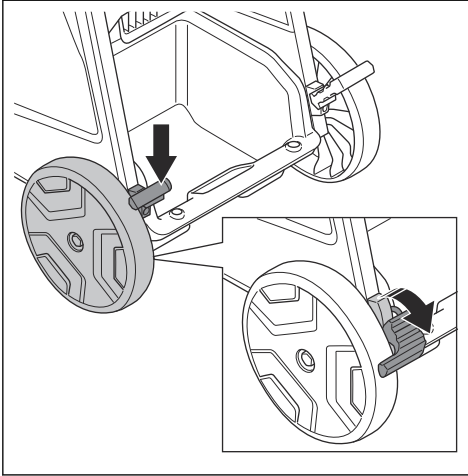
Asegúrese de utilizar un vehículo cerrado durante el transporte del producto.

Asegúrese de que la válvula de admisión esté cerrada. Asegúrese de que las tapas contra el polvo estén en las mangueras.

1. Asegúrese de que el Longopac esté instalado en el producto.
2. Asegúrese de que la bolsa Longopac está vacía.
3. Conecte firmemente el cable de alimentación, la manguera extractora de polvo y el tubo de la manija al producto.

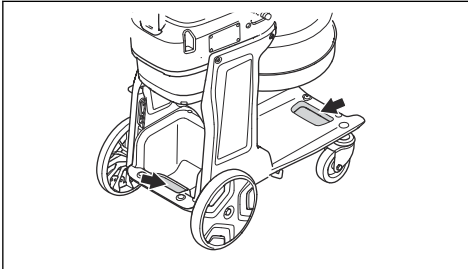


4. Trabe las ruedas de transporte.



5. Levante el producto, consulte *Para levantar el producto en la página 55*.

6. Fije el producto de manera segura al vehículo de transporte para evitar daños y accidentes. Utilice los puntos de amarre.



Para levantar el producto



ADVERTENCIA:

Asegúrese de que el equipo de elevación y las correas de elevación tengan la especificación correcta para levantar el producto de forma segura. La placa de identificación del producto muestra el peso del producto, consulte *Placa de identificación en la página 32*.



ADVERTENCIA:

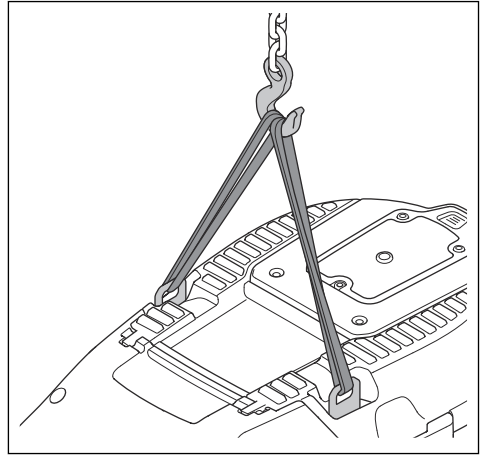
Obtenga ayuda si no está seguro de cómo levantar equipo pesado.



ADVERTENCIA:

No levante el producto si tiene polvo en el tanque o en la bolsa. No levante el producto con peso agregado dentro del producto o sobre él.

1. Realice el procedimiento de purga del filtro antes de levantar el producto. Consulte *Para quitar las partículas de polvo del prefiltro durante el funcionamiento en la página 43*.
2. Para levantar el producto con seguridad, coloque correas a través de los cáncamos.



ADVERTENCIA:

No utilice ganchos metálicos, cadenas u otros equipos de elevación con bordes irregulares que puedan dañar el cáncamo. Solo se permiten correas de levantamiento blandas.

Almacenamiento del producto



PRECAUCIÓN: Coloque el producto en un lugar de almacenamiento en interiores lejos de elementos exteriores.

- Guarde el producto en un almacenamiento donde la temperatura ambiente esté entre -10 °C/14 °F y 40 °C/104 °F.
- Antes de almacenar, realice el procedimiento de purga del filtro y deseche el Longopac con el material recolectado.
- Desconecte el producto de la fuente de alimentación.

- Ponga el producto en un lugar seco y sin escarcha.
- Ponga el producto en un área cerrada. No deje que niños o personas no aprobadas se acerquen al producto.

Eliminación del producto

- Obedezca las regulaciones vigentes y requisitos de reciclaje locales.
- Cuando el producto ya no se use, envíelo al distribuidor Husqvarna o deséchelo en un lugar de reciclaje.

Datos técnicos

Datos técnicos

Datos	DE 110S	DE 110	DE 120	DE 120
Tensión nominal, V	120			230
Fase	1			
Frecuencia, Hz	50-60			
Máxima potencia, W	900	1100	2200	
Corriente máxima, A	7,5	9,5	19	10
Turbina de flujo de aire máximo, CFM/m ³ /h	127/215	141/240	283/480	
Extractor de flujo de aire máximo, CFM/m ³ /h	106/180	124/210	241/410	
Turbina de vacío máximo, psi/kPa/in H ₂ O	2,9/20/80			
Longitud de la manguera extractora de polvo, m/ft	16,4/5,0		24,6/7,5	
Diámetro de la manguera extractora de polvo pulgadas/mm	1,5/38		2,0/51	
Salida auxiliar	No	Sí	No	
Carga máxima salida auxiliar, A	N/A	10	N/A	
Área del prefiltro, m ² /ft ²	15,4/1,4		29,5/2,7	
Eficiencia del filtro HEPA	HEPA 13			
Área total HEPA, m ² /ft ² HEPA 13	12,7/1,2		25,4/2,4	
Sistema de recolección de polvo, tipo	Longopac			
Mecanismo de limpieza del filtro	Jet Pulse			
Dimensiones largo x ancho x alto, mm/in	670 × 400 × 1000/26,4 × 15,7 × 39,4		815 × 542 × 1125/32,1 × 21,3 × 44,3	
Peso, kg/lb	25/55		39/86	
Nivel de potencia acústica medido en L _{WA} , dB(A) ⁴	92,2		97,3	
Nivel de presión sonora L _{PA} en el oído del operador, dB(A) ⁵	77		81,6	
Nivel de vibración a _h , m/s ²⁶	≤2,5			
Clase de protección	IP54		IP55	
Conexión eléctrica (tipo)	NEMA 5-15P		NEMA 5-20P	NEMA L6-20 250 V 20A

⁴ Emisiones de ruido en el medioambiente medidas como potencia acústica (L_{WA}) de conformidad con la norma EN 60335-2-69. Incertidumbre K_{wa} 2dB.

⁵ Nivel de presión sonora de acuerdo con EN 60335-2-69. Incertidumbre K_{PA} 2dB.

⁶ Nivel de vibración en conformidad con la norma EN 60335-2-69. Los datos informados en cuanto al nivel de vibración tienen una dispersión estadística típica (desviación estándar) de 1 m/s².

Conectividad integrada

Nota: Esta sección solo se aplica a los productos suministrados con conectividad integrada.

Espectro de radio de tecnología BLE	
Bandas de frecuencia para la herramienta, GHz	2,402-2,480
Potencia máxima de radiofrecuencia transmitida, dBm/mW	4/2,5

Garantía

Se garantiza que el nuevo equipo comercializado por , no tiene defectos de fabricación en el uso normal durante un período de un (1) año a partir de la fecha de compra del comprador original*. Los fabricantes de componentes ofrecen períodos de garantía por separado. Llame al departamento de Servicios técnicos al (800) 365-5040 para obtener información completa.

La obligación de Husqvarna conforme a esta garantía se limita expresamente al reemplazo o reparación en Husqvarna Construction, o en una instalación de servicio designada por nosotros, de dicha pieza o piezas que según la inspección deberán catalogarse como defectuosas.

Esta garantía no se aplica a los defectos causados por daños, uso no razonable o reparaciones defectuosas realizadas por otras personas o defectos causados por no haber realizado un mantenimiento razonable mientras se encontraba en posesión del consumidor. Además, la garantía será nula si el producto o cualquiera de sus componentes se encuentra alterado o modificado por el consumidor o si el producto se utiliza de una manera inadecuada o con una hoja no recomendada por el fabricante.

(*) Husqvarna ofrece 1 año de garantía en todos los equipos con las siguientes excepciones:

- Sierras planas grandes: 2 años (sierras planas con motor diésel o gasolina >30 hp)
- Motores de taladro de centrado DM 280/DM 340/DM 650: 2 años
- PG 530/PG 680/PG 820 (todas las variantes, incluido RC): 2 años o 1000 horas (cualquiera de los eventos que ocurra primero)
- Embrague de la cuchilla de sierras planas grandes: 6 meses

Los materiales desgastados no están cubiertos por la garantía:

- Correas
- Cojinetes**
- Ruedas del carro
- Filtros
- Ruedas**
- Almohadillas desgastadas
- Bujías

(**) Excepto el sistema IntelliSeal

(***) Excepto deslaminación

Marcas comerciales

La marca denominativa y los logotipos de *Bluetooth®* son marcas comerciales de *Bluetooth SIG, inc.* y cualquier uso de dichas marcas por Husqvarna está sometido a un acuerdo de licencias.

Table des matières

Introduction.....	61	Transport, entreposage et mise au rebut.....	85
Sécurité.....	64	Données techniques.....	88
Fonctionnement.....	69	Garantie.....	90
Entretien.....	77	Marques déposées.....	91
Dépannage.....	82		

Introduction

Responsabilité du propriétaire



AVERTISSEMENT : Des

opérations de coupe, de surfacage ou de perçage du béton ou de la pierre, particulièrement lorsque les conditions sont sèches, génèrent de la poussière qui contient souvent de la silice. La silice est un composant de base du sable, du quartz, de la brique de l'argile, du granit et de nombreux autres pierres et minéraux. L'exposition à une quantité excessive de ces poussières peut entraîner :

une maladie respiratoire (réduisant la capacité à respirer), notamment la bronchite chronique, la silicose et la fibrose pulmonaire causée par l'exposition à la silice. Ces maladies peuvent être fatales;

Des irritations et éruptions cutanées.

Le cancer, selon le NTP (National Toxicology Program) et le CIRC (Centre international de Recherche sur le Cancer).

Prendre les précautions suivantes :

Éviter l'inhalation et le contact cutané avec les poussières, brouillards et fumées.

Porter et veiller à ce que les personnes à proximité portent un dispositif de protection respiratoire approprié, tel un masque antipoussière filtrant les particules microscopiques. (Voir OSHA 29 CFR Part 1926.1153)

Pour réduire au minimum les émissions de poussière, utiliser un extracteur de poussière approprié.

Il est de la responsabilité du propriétaire ou de l'employeur de s'assurer que l'utilisateur possède les connaissances nécessaires pour manipuler le produit en toute sécurité. Les superviseurs et les utilisateurs doivent avoir lu et compris le manuel d'utilisation. Ils doivent être conscients de ce qui suit :

- Les consignes de sécurité relatives au produit.

- L'éventail d'applications du produit et ses limites.
- La manière dont le produit doit être utilisé et entretenu.

Des règlements locaux ou nationaux pourraient limiter l'utilisation de ce produit. Découvrir les règlements en vigueur où le travail est exécuté avant d'utiliser le produit.

Description de l'outil

Le produit est un extracteur de poussière à une phase. L'air chargé de poussière passe par le tuyau d'aspiration dans la soupape d'admission. Le produit sépare les particules de poussière de l'air. Les particules tombent dans le sac en plastique situé au bas du produit.

Utilisation prévue



AVERTISSEMENT : Utiliser uniquement la prise de courant de la machine aux fins spécifiées dans les instructions.



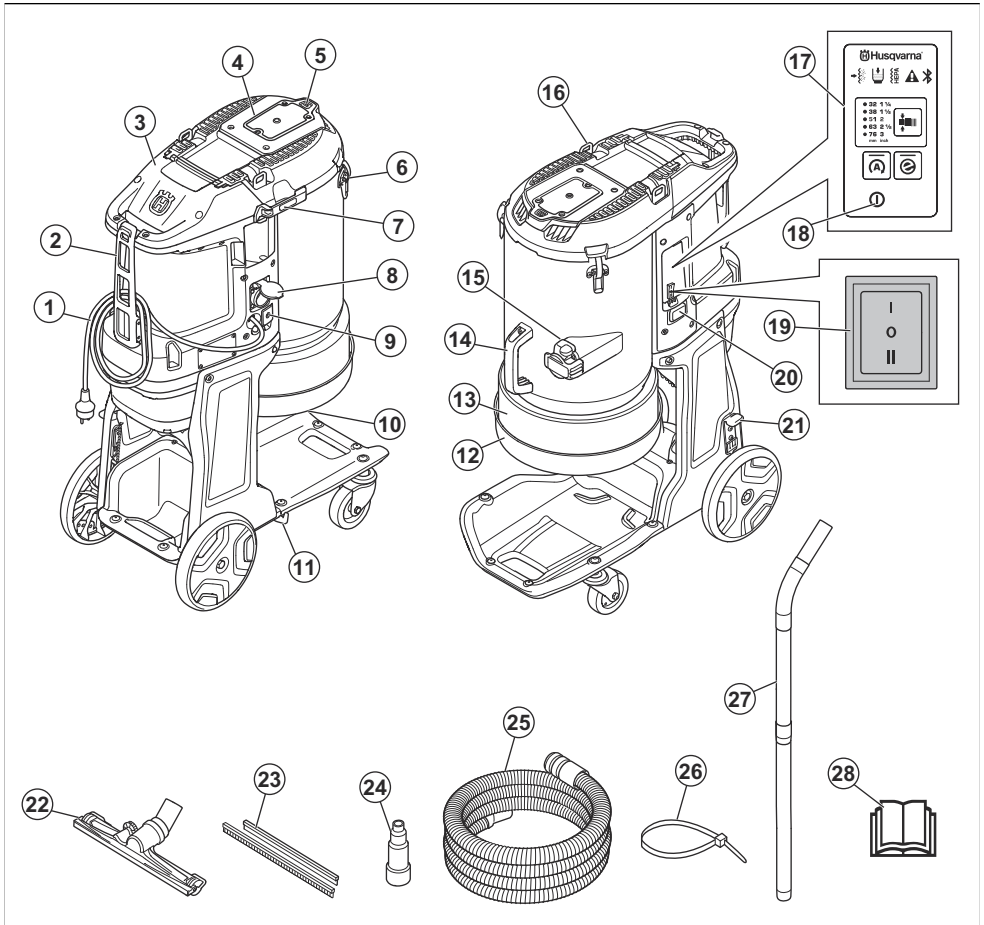
AVERTISSEMENT : Ne pas récupérer les sources d'inflammation, les particules chaudes, les liquides, les matières explosives et les particules instables ou pyrophoriques.

Ce produit est réservé à des usages professionnels. Le produit est utilisé pour récupérer et enlever les matériaux secs des machines et des appareils. Le matériau peut être dangereux et nocif pour la santé, se reporter à la classe de poussière H de la norme EN 60335-2-69.

Un outil électrique peut être raccordé à DE 110 230V avec la prise de courant. S'assurer que la consommation électrique (W) de l'outil électrique n'est pas supérieure à la consommation maximale (W) indiquée sur la prise de courant.

Ne pas utiliser l'outil pour d'autres tâches. Utilisez la machine seulement avec des accessoires homologués par le fabricant.

Présentation de l'appareil



- | | |
|---|---|
| 1. Câble | 15. Connecteur de tuyau |
| 2. Attache câble et tuyau de l'extracteur de poussière | 16. Anneau de levage |
| 3. HEPA couvercle de filtre | 17. Panneau de commande, voir <i>Fonctions du panneau de commande à la page 72</i> (DE 110/DE120) |
| 4. Couvercle de pré-filtre | 18. On/Off (DE 110/DE120) (Marche/Arrêt) |
| 5. Bouton de vidange du filtre | 19. On/Off/Auto (DE 110S) (Marche/Arrêt/Automatique) |
| 6. Verrou de couvercle | 20. Compteur horaire (DE 110/DE120) |
| 7. Fermeture à genouillère pour le tube de poignée | 21. Frein de roue |
| 8. Prise auxiliaire pour les outils électriques auxiliaires (220 à 230 V seulement, DE 110S/DE 110) | 22. Buse de sol |
| 9. Interrupteur principal (DE 110/DE120) | 23. Bandes en caoutchouc |
| 10. Cône en caoutchouc anti-poussière | 24. Adaptateur multiple (DE 110S/DE 110) |
| 11. Support de baguette | 25. Tuyau d'extraction de poussière |
| 12. Support Longopac | 26. Attache de câble |
| 13. Longopac | 27. Baguette |
| 14. Poignée | 28. Manuel de l'opérateur |

Symboles figurant sur le produit



AVERTISSEMENT : Ce produit peut être dangereux et causer des blessures très graves, ou même mortelles, à l'opérateur et à d'autres personnes. Faire attention et utiliser le produit correctement.



Lire attentivement le manuel et veiller à bien comprendre les directives avant d'utiliser le produit.



Portes des protections pour les oreilles, les yeux et les voies respiratoires. Se reporter à *Équipement de protection personnelle* à la page 67.



Ne pas utiliser de crochets métalliques, de chaînes ou d'autres équipements de levage aux bords rugueux qui pourraient endommager l'anneau de levage. Utiliser uniquement des courroies de levage souples.



Le point de mise à la masse de ce produit est indiqué par un symbole représentant le sol. Se reporter à *Instructions de mise à la terre du produit* à la page 69



Le produit n'est pas un déchet ménager. Il faut l'envoyer dans un centre d'élimination approuvé pour équipements électriques et électroniques.



Si le produit est doté de technologie sans fil Bluetooth®, le symbole Bluetooth® est indiqué sur le produit. Se reporter à *Bluetooth® technologie sans fil* à la page 72.

Remarque : Les autres symboles et autocollants apposés sur le produit se rapportent aux exigences en matière de certification pour certains marchés.

Connectivité intégrée

La solution de gestion des actifs dans le nuage Husqvarna Fleet Services™ donne au gestionnaire de parc une vue d'ensemble de tous les produits connectés par l'intermédiaire de capteurs intégrés ou de capteurs du marché secondaire. La position de la passerelle ou du téléphone intelligent peut être utilisée pour indiquer l'emplacement des produits connectés. Les capteurs enregistrent des données comme la durée de fonctionnement, les intervalles d'entretien, etc. Pour obtenir de plus amples renseignements sur la solution de gestion des actifs dans le nuage Husqvarna Fleet Services™, télécharger l'application iOS ou Android Husqvarna Fleet Services sur <https://apps.apple.com/se/app/husqvarna->

fleet-services/id1334672726 ou <https://play.google.com/store/apps/details?id=com.husqvarna.hfsmobile&hl=en>. Pour obtenir de plus amples renseignements, communiquer avec le représentant des ventes Husqvarna.

Certains types de ce produit sont connectés au moyen du capteur Husqvarna Fleet Services™ intégré qui dispose de la fonction Bluetooth Low Energy (BLE). Pour obtenir de plus amples renseignements sur son utilisation, se reporter à *Pour utiliser la connectivité intégrée avec la flotte* à la page 72. Pour obtenir des renseignements sur le spectre radio de la technologie BLE, se reporter à la section *Connectivité intégrée* à la page 89. Pour les limites de conformité concernant Husqvarna Fleet Services™, se reporter à *Limites de conformité* à la page 63.

Limites de conformité

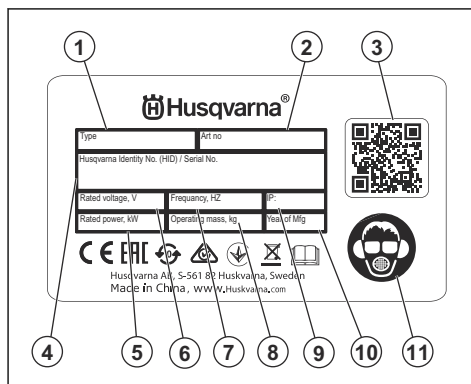
Remarque : Les modifications apportées à cet équipement non expressément approuvées par Husqvarna peuvent annuler la conformité de l'équipement aux règlements de la FCC (Commission fédérale des communications américaine) et limiter le droit de l'utilisateur à utiliser l'équipement.

Remarque : Cet appareil est conforme à l'article 15 de la réglementation FCC et à la norme RSS d'Industrie Canada pour les appareils exempts de licence.

Son utilisation est soumise aux deux conditions suivantes :

- Cet appareil ne doit pas causer d'interférences nuisibles
- Cet appareil doit accepter toute autre interférence, y compris les interférences pouvant causer un fonctionnement non désiré

Plaque signalétique



1. Modèle
2. Numéro d'article

3. Code à balayer
4. Numéro de série
5. Puissance ou courant nominal (A)
6. Tension nominale
7. Fréquence
8. Poids
9. Classe IP
10. Année de production
11. Équipement de protection personnelle

pas tenus responsables des dommages que notre produit causerait dans les situations suivantes :

- Le produit n'est pas réparé de façon adéquate.
- Le produit est réparé avec des pièces qui ne sont pas fournies ou homologuées par le fabricant.
- Le produit comprend un accessoire qui n'est pas fourni ou homologué par le fabricant.
- Le produit n'est pas réparé par un centre de service après-vente agréé ou par une autorité homologuée.

Responsabilité concernant le produit

Comme indiqué dans les lois en vigueur sur la responsabilité concernant les produits, nous ne serons

Sécurité

Définitions relatives à la sécurité

Les avertissements, recommandations et remarques soulignent des points du manuel qui revêtent une importance particulière.



AVERTISSEMENT :

Indique la présence d'un risque de blessure ou de décès de l'utilisateur ou de personnes à proximité si les instructions du manuel ne sont pas suivies.



MISE EN GARDE :

Indique la présence d'un risque de dommages au produit, à d'autres appareils ou à la zone adjacente si les instructions du manuel ne sont pas suivies.

Remarque : Utilisé pour donner des renseignements plus détaillés qui sont nécessaires dans une situation donnée.

IMPORTANTES CONSIGNES DE SÉCURITÉ



AVERTISSEMENT :

Lire

les messages d'avertissement qui suivent avant d'utiliser le produit.

- Ce produit est un outil dangereux s'il est utilisé de façon insouciant ou inappropriée. Cet outil peut causer des blessures graves, ou même mortelles, à l'utilisateur et à d'autres personnes. Il est obligatoire de lire et de comprendre le contenu de ce manuel d'utilisation avant d'utiliser l'outil.
- Ne pas autoriser une personne (notamment les enfants) aux capacités physiques, sensorielles ou mentales limitées à utiliser le produit, sauf si elles ont bénéficié de la surveillance ou des instructions concernant l'utilisation du produit par une personne responsable de leur sécurité.
- S'assurer que vous avez de l'expérience et des connaissances sur le produit avant de l'utiliser.
- S'assurer que toutes les commandes sont hors tension avant de débrancher le cordon d'alimentation.
- Se conformer à toutes les lois et réglementations en vigueur.
- L'utilisateur et l'employeur de l'utilisateur doivent connaître et prévenir les risques liés à l'utilisation du produit.
- Ne pas laisser une personne utiliser le produit à moins qu'elle a lu et compris le contenu de ce manuel d'utilisation.
- Ne pas faire fonctionner le produit sans avoir reçu une formation relative à son fonctionnement. S'assurer que tous les utilisateurs reçoivent une formation.
- Ne pas laisser un enfant utiliser l'outil.
- Seules les personnes autorisées peuvent utiliser le produit.
- L'utilisateur est responsable des accidents survenus à d'autres personnes ou à leurs biens.
- Ne pas utiliser le produit en cas de fatigue ou sous l'emprise de l'alcool, de drogues ou de médicaments.
- Toujours rester prudent et faire preuve de bon sens.

- Ce produit génère un champ électromagnétique pendant le fonctionnement. Ce champ magnétique peut, dans certains cas, nuire aux implants médicaux actifs ou passifs. Pour réduire le risque de blessures graves ou mortelles, il est recommandé aux personnes ayant des implants médicaux de consulter leur médecin et le fabricant de l'implant médical avant d'utiliser le produit.
- Toujours garder le produit propre. S'assurer de pouvoir lire clairement les signes et les autocollants.
- Ne pas utiliser le produit s'il est défectueux.
- Ne pas modifier ce produit.
- Ne pas utiliser le produit s'il est possible que d'autres personnes aient apporté des modifications à celui-ci.
- Ne pas utiliser le produit sans les filtres nécessaires.

Sécurité de la zone de travail

- **Maintenir l'aire de travail propre et bien éclairée.** Les endroits sombres ou encombrés sont propices aux accidents.
- **Ne pas utiliser le produit dans des atmosphères explosives, notamment en présence de liquides, gaz ou poussières inflammables.** Le produit crée des étincelles qui peuvent enflammer les poussières et les vapeurs.
- **Tenir les enfants et les spectateurs à distance lorsque le produit est en marche.** Un moment d'inattention pourrait vous en faire perdre le contrôle.

Sécurité électrique



AVERTISSEMENT :

Ne pas exposer l'appareil à la pluie ou à l'humidité, car l'eau qui pénètre dans un appareil électrique augmente le risque d'électrocution.

- **La fiche du cordon d'alimentation de l'appareil doit correspondre à la prise de courant. Ne jamais modifier la fiche de quelque façon que ce soit. Ne jamais utiliser une fiche d'adaptation avec des appareils mis à la terre.** Les fiches non modifiées et les prises adaptées à la fiche réduisent les risques d'électrocution.
- **Insérer la fiche dans une prise de courant appropriée, mise à la terre/à la masse, qui a été installée correctement et en toute sécurité et qui est conforme aux réglementations locales.** En cas de doute sur le bon fonctionnement de la mise à la terre/à la masse de votre prise de courant, faites-la vérifier par un spécialiste qualifié.
- **Éviter d'entrer en contact avec les surfaces mises à la terre ou à la masse (tuyaux, radiateurs, cuisinières, poêles, réfrigérateurs, etc.).** Le risque d'électrocution est plus important si le corps de l'opérateur est mis à la terre.
- **Vérifier que le cordon d'alimentation ne repose pas dans une flaque d'eau.**
- **Vérifier le cordon d'alimentation de l'appareil à intervalles réguliers et le faire remplacer par le fabricant ou son agent si des dommages sont constatés. Vérifier les rallonges à intervalles réguliers et remplacez-les si elles sont endommagées.**
- **Ne pas toucher le cordon d'alimentation ou la rallonge s'ils sont endommagés pendant le fonctionnement. Débrancher la fiche du cordon d'alimentation de la prise de courant.** Les cordons d'alimentation ou rallonges endommagés présentent un risque d'électrocution.
- **Toujours manipuler le cordon avec soin. Ne jamais se servir du cordon pour transporter, faire avancer ou débrancher l'appareil. Tenir le cordon à l'écart de la chaleur, de l'huile, des bords tranchants et des pièces mobiles.** Les cordons endommagés ou emmêlés augmentent le risque d'électrocution.
- **Pour le travail à l'extérieur à l'aide d'un appareil électrique, n'utilisez que des rallonges adaptées à l'usage extérieur.** L'utilisation d'une rallonge adaptée à l'extérieur réduit le risque d'électrocution.
- **En cas d'interruption de l'alimentation électrique, éteignez l'appareil et débranchez-le de la prise de courant.**
- **Ne jamais faire fonctionner l'appareil lorsqu'il est sale ou mouillé.** La poussière (en particulier la poussière provenant de matériaux conducteurs) ou l'humidité qui adhère à la surface de l'appareil peut, dans des conditions défavorables, provoquer un choc électrique. **Les appareils sales ou poussiéreux doivent donc être vérifiés par un agent de service agréé à intervalles réguliers, surtout s'ils sont utilisés fréquemment pour travailler sur des matériaux conducteurs.**
- **S'il est impossible d'éviter de faire fonctionner l'appareil dans un endroit humide, utiliser une alimentation avec dispositif de protection par courant différentiel résiduel (RCD).** Les disjoncteurs de courant résiduel réduisent le risque d'électrocution.
- Effectuer des tests de sécurité électrique périodiques sur le produit. Se reporter aux réglementations locales pour connaître la procédure à suivre.

Sécurité personnelle

- **Lors de l'utilisation du produit, toujours demeurer attentif et faire preuve de bon sens. Ne pas utiliser le produit si vous êtes fatigué ou sous l'emprise de drogues, de l'alcool ou de médicaments.** Tout moment d'inattention pendant l'utilisation du produit peut causer de graves blessures.
- **Utiliser de l'équipement de protection personnelle. Toujours porter des lunettes de protection.** En utilisant l'équipement de protection (masque antipoussière, chaussures de sécurité antidérapantes, casque, dispositif de protection pour

les oreilles, etc.) qui convient aux conditions, on réduit les risques de blessure.

- **Prévenir les démarrages accidentels. Vérifier que l'interrupteur se trouve à la position d'arrêt avant de brancher l'outil dans le bloc d'alimentation, de le saisir ou de le transporter.** Le transport du produit en maintenant le doigt sur l'interrupteur d'alimentation et le branchement du produit alors que l'interrupteur est à la position de marche exposent à des accidents.
- **Retirer toute clé ou clavette de réglage avant de mettre le produit en marche.** Une clé ou une clavette reliée à une pièce mobile du produit peut causer une blessure.
- **Ne pas trop se pencher vers l'avant. Toujours se tenir bien campé et en équilibre.** Cela permet de mieux contrôler le produit lors d'un imprévu.
- **S'habiller de façon appropriée. Ne jamais porter des vêtements amples ou des bijoux. Garder les cheveux et les vêtements loin des pièces mobiles.** Les vêtements amples, bijoux et cheveux longs peuvent se prendre dans les pièces en mouvement.
- **Si des dispositifs sont fournis pour raccorder des systèmes de collecte et d'extraction de la poussière, s'assurer que ceux-ci sont utilisés et correctement branchés.** L'utilisation de dépoussiéreurs peut réduire les risques associés à la poussière.
- **Ne pas laisser la parfaite connaissance de l'outil acquise en raison de l'utilisation fréquente de ce dernier engendrer la complaisance et le non-respect des principes de sécurité relatifs à l'outil.** Une négligence peut provoquer de graves blessures en une fraction de seconde.

Utilisation et entretien du produit

- **Ne pas soumettre l'outil à une contrainte. Utiliser le produit qui convient au travail à effectuer.** De cette façon, le résultat sera meilleur et le travail sera effectué de façon plus sécuritaire et au régime pour lequel le produit a été conçu.
- **Ne pas utiliser le produit si l'interrupteur ne permet pas de le mettre en marche et de l'arrêter.** Tout produit dont l'interrupteur est défectueux représente un danger et doit être réparé.
- **Débrancher la fiche de la source d'alimentation et, si elle est détachable, du produit avant de procéder aux réglages, de changer les accessoires ou de ranger le produit.** Ces mesures de sécurité réduisent le risque de mise en marche accidentelle.
- **Ranger le produit hors de la portée des enfants et ne pas laisser des personnes qui ne connaissent pas le produit ou les présentes consignes utiliser celui-ci.** Le produit représente un danger lorsqu'il est entre les mains d'utilisateurs non formés.
- **Entretien du produit et ses accessoires. Vérifier le produit à la recherche de pièces brisées, de mauvais alignement ou de grippage des pièces mobiles et de toute autre situation pouvant nuire au bon fonctionnement du produit. Si le produit est endommagé, le faire réparer avant de l'utiliser.** De

nombreux accidents sont causés par des produits mal entretenus.

- **Maintenir les outils tranchants aiguisés et propres.** Les outils tranchants correctement entretenus dont les bords de coupe sont bien affûtés sont moins susceptibles de se coincer et plus faciles à contrôler.
- **Utiliser le produit, les accessoires, les forets, etc., conformément aux présentes instructions et en tenant compte des conditions de travail et de la tâche à réaliser.** L'utilisation du produit pour des opérations autres que celles pour lesquelles il est prévu peut entraîner des dangers.
- **Garder les poignées et les surfaces de préhension sèches, propres et exemptes d'huile et de graisse.** Les poignées et les surfaces de préhension glissantes ne permettent pas de manipuler l'outil de manière sécuritaire, ni d'en conserver le contrôle lorsqu'une situation inattendue se présente.

Service

- Seul un centre de service agréé peut effectuer l'entretien du produit, et uniquement avec des pièces de rechange approuvées. Cela permettra de préserver la sécurité du produit.
- Reportez-vous à la section *Calendrier de maintenance à la page 78* pour plus de détails.

Consignes de sécurité pour l'assemblage



AVERTISSEMENT : Lire

les messages d'avertissement qui suivent avant d'assembler l'outil.

- Les modifications et/ou les accessoires non autorisés peuvent entraîner des blessures graves ou la mort de l'utilisateur ou d'autres personnes.
- Utiliser seulement les accessoires décrits dans le présent manuel. Utiliser seulement les accessoires recommandés par le fabricant.
- S'assurer que la zone d'assemblage est ferme, de sorte que le produit ne se renverse pas. Risque de blessures et de dégâts matériels.
- Faire preuve de prudence, puisque les fixations à bascule peuvent causer des dommages à l'opérateur lors du montage du produit.

Instructions de sécurité pour l'utilisation



AVERTISSEMENT : Lire

les messages d'avertissement qui suivent avant d'utiliser le produit.

- Ne pas faire fonctionner le produit si le cordon d'alimentation ou la fiche sont endommagés.
- Si le produit ne fonctionne pas correctement, heurte le sol, est endommagé, est laissé à l'extérieur ou tombe dans l'eau, arrêtez de l'utiliser. Demander à un atelier spécialisé agréé de réparer le produit.
- S'assurer que le moteur et toutes les commandes sont hors tension avant de débrancher le cordon d'alimentation.
- Débrancher le cordon d'alimentation de la prise lorsque le produit n'est pas utilisé, avant de procéder à son entretien ou avant de vous éloigner du produit.
- Ne pas tirer sur le cordon d'alimentation pour le débrancher de la prise. Toujours tirer sur la fiche pour débrancher le produit de la prise.
- Ne pas utiliser le produit à des températures inférieures à -10°C.
- Ne pas utiliser le produit dans un endroit où il y a un risque d'explosion ou dans des zones où se trouvent des liquides ou des matériaux inflammables.
- Ne pas mettre d'objets dans les ouvertures.
- Ne pas utiliser le produit si une ouverture est bloquée. Enlever la poussière, les peluches, les cheveux ou tout autre matériau susceptible de réduire le flux d'air.
- Ne pas faire fonctionner le produit ou tirer la fiche d'alimentation avec des mains mouillées.
- Tenir les cheveux, les vêtements amples et toute autre partie du corps éloignés des ouvertures et des pièces en mouvement.
- Faire preuve d'une grande prudence dans les escaliers afin d'éviter tout dommage et toute blessure en cas de chute du produit.
- S'assurer de toujours être en mesure d'arrêter rapidement le moteur en cas d'urgence.
- Toujours verrouiller les roues de transport en cas de travail sur une surface rugueuse.
- Ne pas faire fonctionner le produit sans que le sac Longopac et les filtres soient installés. Remplacer le sac Longopac et les filtres comme indiqué dans ce manuel.
- Si le produit présente des vibrations ou un niveau de bruit inhabituels, arrêter immédiatement le produit et débrancher l'alimentation électrique. Examiner le produit pour détecter d'éventuels dommages. Les vibrations inhabituelles indiquent généralement l'existence de dommages. Réparer les dommages ou laisser un atelier spécialisé faire la réparation.
- Toujours utiliser des accessoires approuvés. Pour obtenir de plus amples renseignements, communiquer avec son représentant Husqvarna.

les messages d'avertissement qui suivent avant d'utiliser le produit.

- Toujours utiliser un équipement de protection personnelle homologué lors de l'utilisation de l'outil. Cet équipement de protection personnelle n'élimine pas complètement les risques de blessures, mais il peut en réduire la gravité en cas d'accident. Le revendeur aidera l'utilisateur à sélectionner l'équipement adéquat.
- Vérifier régulièrement l'état de l'équipement de protection personnelle.
- Porter un casque de protection approuvé.
- Porter un dispositif de protection homologué pour les oreilles.
- Utiliser une protection respiratoire approuvée de classe P2 ou supérieure.
- Utiliser un dispositif de protection homologué pour les yeux.
- Porter des gants de protection.
- Utiliser des chaussures de protection.

Consignes de sécurité pour la maintenance



AVERTISSEMENT :

Lire

les messages d'avertissement qui suivent avant d'utiliser le produit.

- Si la maintenance n'est pas effectuée correctement et régulièrement, le risque de blessures et de dommages sur l'outil augmente.
- Utiliser de l'équipement de protection personnelle. Se reporter à *Instructions de sécurité pour l'utilisation à la page 66*.
- Débrancher l'appareil de la source d'alimentation avant de procéder à l'entretien.
- Ne pas modifier l'outil. Toute modification non approuvée par le fabricant peut entraîner des blessures graves, voire mortelles.
- Toujours utiliser des accessoires et des pièces de rechange d'origine. Les accessoires et les pièces de rechange qui ne sont pas approuvés par le fabricant peuvent causer des blessures graves, voire mortelles.
- Remplacer les pièces endommagées, usées ou brisées.
- N'effectuer que les travaux d'entretien indiqués dans ce manuel d'utilisation. Laisser un agent d'entretien agréé effectuer toutes les autres opérations d'entretien.
- Au cas où le remplacement du cordon d'alimentation serait nécessaire, il doit être effectué par le fabricant ou son agent afin d'éviter tout risque de sécurité.

Équipement de protection personnelle



AVERTISSEMENT :

Lire

- Demander à un agent d'entretien agréé d'effectuer régulièrement l'entretien de l'outil.

Dispositifs de sécurité sur le produit



AVERTISSEMENT :

Lire les messages d'avertissement qui suivent avant d'utiliser le produit.

- Ne jamais utiliser un produit dont l'équipement de sécurité est défectueux! Si une inspection du produit détecte une panne, communiquer avec un agent d'entretien pour réparation.
- Ne pas utiliser le produit si les plaques et les couvercles de protection, les interrupteurs de sécurité ou d'autres dispositifs de protection ne sont pas fixés ou sont défectueux.

Toujours faire preuve de bon sens.



AVERTISSEMENT :

Il ne faut en aucun cas modifier la conception originale du produit sans l'approbation du fabricant. Toujours utiliser des pièces de rechange d'origine. Les modifications et/ou les accessoires non autorisés peuvent entraîner des blessures graves ou la mort de l'utilisateur ou d'autres personnes.



AVERTISSEMENT :

Les outils servant à poncer ou former des matériaux (couteaux, meules, perceuses, etc.) peuvent produire de la poussière et des vapeurs contenant des produits chimiques dangereux. Vérifier le type de matériau avec lequel vous devez travailler et utiliser un masque filtrant approprié.

Il n'est pas possible de couvrir toutes les situations imaginables auxquelles vous pourriez faire face lors de l'utilisation du produit. Toujours faire preuve d'attention et de bon sens. Éviter toutes les situations qui vous semblent difficiles. En cas d'incertitude au sujet des procédures d'utilisation après avoir lu ces instructions, consulter un expert avant de continuer.

N'hésitez pas à communiquer avec votre représentant Husqvarna si vous avez des questions supplémentaires sur l'utilisation du produit. Nous sommes à votre disposition et nous vous fournirons des conseils et de

l'aide sur l'utilisation efficace et sécuritaire de votre produit.

Demander au concessionnaire Husqvarna de vérifier le produit régulièrement et d'effectuer les ajustements et les réparations essentiels.

Husqvarna AB a mis en place une politique de perfectionnement continu des produits. Husqvarna se réserve le droit de modifier la conception et l'apparence des produits sans préavis et sans obligation supplémentaire d'apporter des modifications à la conception.

Tous les renseignements et toutes les données contenus dans le manuel d'utilisation étaient pertinents au moment où celui-ci a été envoyé à l'impression.

Bluetooth®



MISE EN GARDE : Les modifications ou les changements apportés à cet équipement non expressément approuvés par Husqvarna peuvent annuler l'autorisation de la FCC d'utiliser cet équipement.

Avis : Cet appareil est conforme à l'article 15 de la réglementation FCC et à la norme RSS d'Industrie Canada pour les appareils exempts de licence. Son utilisation est soumise aux deux conditions suivantes :

- Cet appareil ne doit pas causer d'interférences nuisibles.
- Cet appareil doit accepter toute autre interférence, y compris les interférences pouvant causer un fonctionnement non désiré.

Remarque : Cet équipement a été testé et trouvé conforme aux limites d'un appareil de classe B, conformément à l'article 15 des règlements de la FCC. Ces limites sont conçues pour fournir une protection raisonnable contre les interférences nuisibles dans une installation résidentielle. Cet équipement produit, utilise et peut émettre des fréquences radio et, s'il n'est pas installé et utilisé conformément aux instructions, il peut provoquer des interférences nuisibles aux communications radio. Cependant, il n'y a aucune garantie que des interférences ne pourront pas se produire dans une installation particulière. Si cet équipement engendre des interférences nuisibles pour la réception radio ou télévisuelle, ce qui peut être déterminé en éteignant l'équipement, l'utilisateur est encouragé à essayer de corriger l'interférence en prenant une ou plusieurs des mesures suivantes :

- Réorienter ou déplacer l'antenne réceptrice.
- Augmenter la distance entre l'équipement et le récepteur.
- Raccorder l'équipement à une prise située sur un circuit différent de celui sur lequel le récepteur est raccordé.

- Communiquer avec le concessionnaire ou un technicien radio/TV expérimenté pour obtenir de l'aide.

Le présent appareil est conforme aux CNR d'Industrie Canada applicables aux appareils radio exempts de licence. L'exploitation est autorisée aux deux conditions suivantes :

- l'appareil ne doit pas produire de brouillage, et
- l'appareil doit accepter tout brouillage radioélectrique subi, même si le brouillage est susceptible d'en compromettre le fonctionnement.

Déclaration de conformité des fournisseurs pour Husqvarna DE 110, DE 120

Information de conformité à 47 CFR § 2.1077

Partie responsable

Husqvarna Construction Products North America, Inc.

17400 W 119th Street

Olathe, Kansas 66061

États-Unis

Personnes-ressources aux États-Unis : Neil Stanford, responsable de la conformité, Numéro de téléphone : 913-928-1000

CONSERVER CES INSTRUCTIONS

Fonctionnement

Instructions de mise à la terre du produit



AVERTISSEMENT :

Un mauvais branchement peut engendrer un risque d'électrocution. Communiquer avec un électricien certifié en cas de doute sur la mise à la terre de la prise d'alimentation secteur.

Ne pas modifier la spécification d'usine de la fiche d'alimentation. Si la fiche d'alimentation ou le cordon d'alimentation est endommagé ou doit être remplacé, communiquez avec votre atelier spécialisé Husqvarna. Respecter les lois et règlements locaux.

Si on ne comprend pas bien les instructions de mise à la terre du produit, communiquer avec un électricien agréé.

N'utiliser que des câbles de rallonge d'extérieur mis à la terre dotés de fiches mises à la terre et des prises mises à la terre compatibles avec la fiche d'alimentation du produit.

Le produit est doté d'un cordon d'alimentation mis à la terre et d'une fiche d'alimentation. Toujours brancher le produit sur une prise d'alimentation secteur mise à la terre. Cela permet de réduire le risque de décharge électrique en cas de dysfonctionnement.

Utiliser un circuit d'alimentation nominal de 120 V avec ce produit.

Ne pas utiliser d'adaptateurs électriques avec le produit.

Produit dont le courant nominal est supérieur à 15A



AVERTISSEMENT :

Ne pas utiliser un adaptateur avec un produit dont le courant nominal est supérieur à 15A.



AVERTISSEMENT :

S'assurer que la fiche d'alimentation du produit correspond à la prise de courant.

Si le courant nominal de votre produit est supérieur à 15A, il est fourni par le fabricant avec un cordon d'alimentation et une fiche d'alimentation adaptés à la prise de courant.

Produit dont le courant nominal est inférieur à 15A



AVERTISSEMENT :

S'assurer que la fiche d'alimentation du produit correspond à la prise de courant.



AVERTISSEMENT :

Il n'est pas



AVERTISSEMENT :

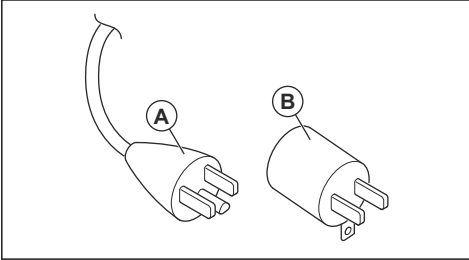
Utiliser un adaptateur temporaire uniquement jusqu'à ce qu'une prise de courant avec mise à la masse puisse être installée par un électricien agréé.



AVERTISSEMENT :

Pour éviter tout risque de blessure, s'assurer que la fiche du produit est bien fixée au câble de rallonge. Vérifier régulièrement la connexion pendant le fonctionnement du produit pour s'assurer qu'elle est bien fixée. Ne pas utiliser une rallonge dont la connexion est lâche.

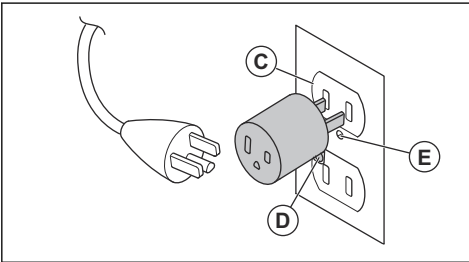
La fiche d'alimentation (A) est mise à la masse et peut être utilisée avec ou sans adaptateur temporaire (B).



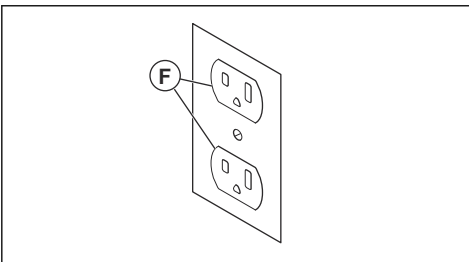
Remarque : Les conditions de fonctionnement sont les suivantes : altitude maximale de 800 m/2625 pieds, température comprise entre -10°C/14°F et +40°C/104°F et humidité de 85 %.

Remarque : Lire attentivement le manuel de l'opérateur concernant l'équipement accessoire. Si des exigences ou des réglages spécifiques sont indiqués pour l'extracteur de poussière, s'assurer de les respecter.

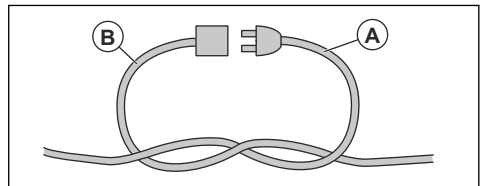
Utiliser un adaptateur lorsque la prise (C) n'est pas mise à la masse. Utiliser un adaptateur temporaire pour brancher la fiche d'alimentation sur la prise qui n'est pas mise à la masse. La languette de la vis de mise à la masse (D) de l'adaptateur doit être connectée à un couvercle de boîte de prise de courant mis à la masse. La vis métallique (E) doit être utilisée pour maintenir l'adaptateur en position.



Ne pas utiliser d'adaptateur si la prise (F) est mise à la masse.



1. Lire attentivement le manuel de l'opérateur et veiller à bien comprendre les directives.
2. Effectuer l'entretien quotidien. Se reporter à *Calendrier de maintenance à la page 78*.
3. S'assurer que la zone de travail est propre et bien éclairée.
4. Utiliser de l'équipement de protection personnelle. Se reporter à *Équipement de protection personnelle à la page 67*.
5. S'assurer que le produit est installé correctement.
6. S'assurer que la fréquence et la tension indiquées sur la plaque signalétique correspondent à la tension d'alimentation. Ceci est également valable pour les câbles de rallonge.
7. Raccorder le cordon du produit (A) avec la rallonge (B) pendant le fonctionnement pour s'assurer qu'ils restent connectés.



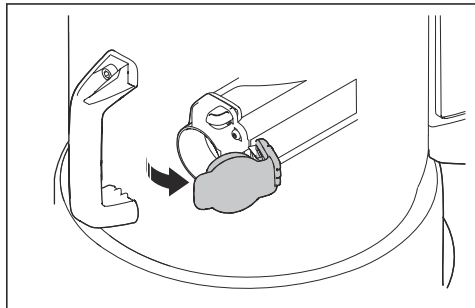
Pour connecter le tuyau de l'extracteur de poussière



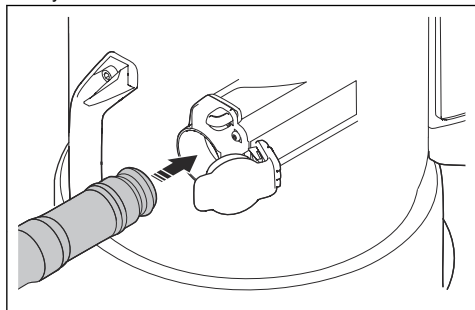
AVERTISSEMENT :

Utiliser un tuyau antistatique pour éviter les effets antistatiques.

1. Ouvrir le connecteur de tuyau.



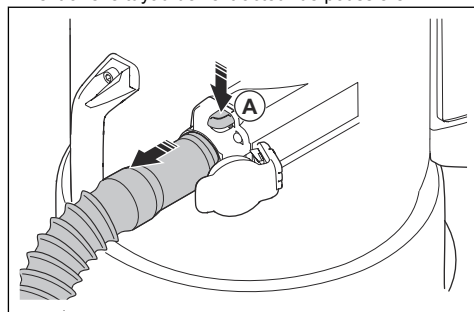
2. Placer l'adaptateur de tuyau sur le connecteur de tuyau.



3. Pour le mettre en position correcte, pousser l'adaptateur de tuyau jusqu'à entendre un déclic.

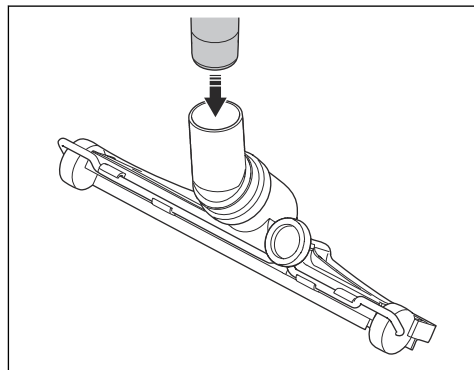
Pour enlever le tuyau de l'extracteur de poussière

- Appuyer sur le bouton de verrouillage du tuyau (A) et extraire le tuyau de l'extracteur de poussière.

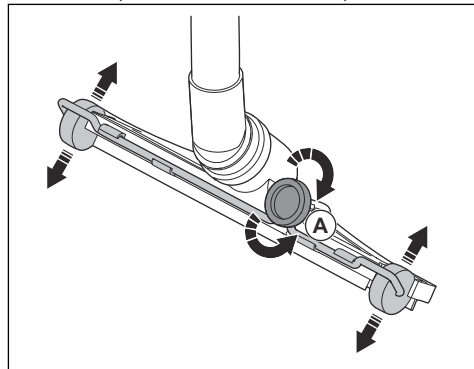


Pour fixer et régler la buse de sol

1. Introduire l'extrémité de la poignée complètement dans l'arbre de la buse de sol.



2. Tourner le bouton (A) à l'arrière de la buse de sol pour régler les roues de la buse de sol. Compte tenu des différentes surfaces et des différents types de poussière et de matériaux, il est nécessaire de régler les roues pour obtenir les meilleures performances.



Bluetooth® technologie sans fil

Les produits Bluetooth® dotés de la technologie sans fil intégrée peuvent se connecter à des appareils mobiles et permettre des fonctions supplémentaires depuis la connexion Husqvarna.

Le symbole de la technologie sans fil *Bluetooth®* s'allume lorsque votre appareil mobile est connecté au produit.



Pour utiliser la connectivité intégrée avec la flotte

Remarque : Cette partie concerne uniquement les produits fournis avec une connectivité intégrée.

Remarque : La transmission radio par la fonction Bluetooth® est activée lors de la première connexion à la source d'alimentation et reste activée par la suite.

1. Télécharger l'application Husqvarna Fleet Services pour iOS ou Android Husqvarna Fleet Services.
2. Visiter le site Web Husqvarna Fleet Services <https://fleetservices.husqvarna.com> pour obtenir de plus amples renseignements.

Pour verrouiller et déverrouiller les roues de transport

Pour faire fonctionner l'appareil sur une surface en pente, il est nécessaire de verrouiller les roues de transport.

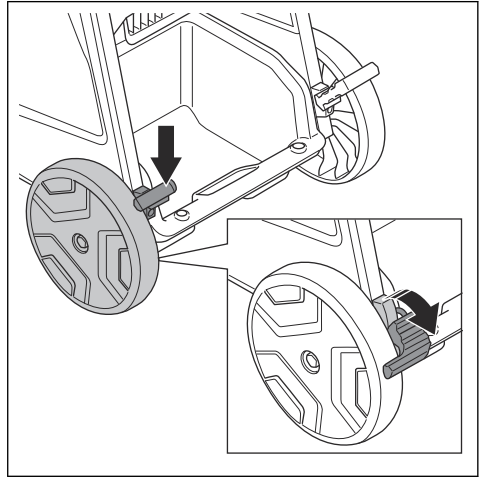


AVERTISSEMENT :

Les roues et les roulements doivent être propres et sans poussière pour un fonctionnement sûr. Se reporter à *Calendrier de maintenance à la page 78*.

1. Maintenir le produit dans une position stationnaire et sûre.

2. Appuyer sur le frein de roue de chaque côté pour verrouiller les roues.

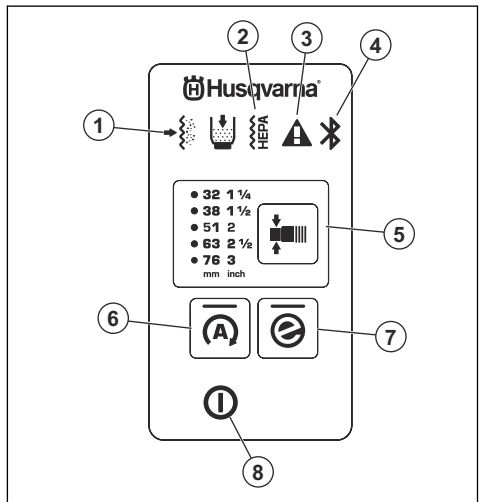


Remarque : DE 110S/DE 110 n'a qu'un seul frein de roue.

3. Tirer les freins de roue vers le haut pour déverrouiller les roues.

Fonctions du panneau de commande

Le panneau de commande contrôle et surveille les fonctions et configurations importantes du produit. Se reporter à *Avertissements sur le panneau de commande (DE 110/DE 120) à la page 83* pour trouver des solutions pour les avertissements.



1. Le préfiltre est bouché. Se reporter à *Pour éliminer les particules de poussière du pré-filtre en cours de fonctionnement à la page 75.*
2. Le filtre HEPA est bouché, endommagé ou manquant. Se reporter à *Avertissements sur le panneau de commande (DE 110/DE120) à la page 83.*
3. Avertissement. Se reporter à *Avertissements sur le panneau de commande (DE 110/DE120) à la page 83.*
4. Connexion Bluetooth®. Se reporter à *Pour utiliser la connectivité intégrée avec la flotte à la page 72.*
5. Fonction de changement de diamètre de tuyau, se reporter à *Pour sélectionner le diamètre de la buse du tuyau à la page 73*
6. Démarrage automatique, se reporter à *Fonction de démarrage automatique (uniquement DE 110S 230V et DE 110S) à la page 73*
7. Bouton e-Flow, se reporter à *Fonction e-Flow à la page 73*
8. Bouton On/Off (marche/arrêt)

Fonction e-Flow

Le produit est équipé d'une fonction e-Flow. Cette fonction ajuste automatiquement la circulation d'air selon la charge de travail pour une performance optimale. Le produit s'active toujours avec les derniers paramètres utilisés.

Reportez-vous à *Fonctions du panneau de commande à la page 72* pour activer ou désactiver la fonction.

Fonction de démarrage automatique (uniquement DE 110S 230V et DE 110S)

Ce produit peut être utilisé pour récupérer la poussière d'un équipement tel qu'une meuleuse ou une découpeuse électrique. Lors de la mise en marche de l'équipement connecté à la prise électrique du produit, ce dernier démarre automatiquement. Lors de la mise à l'arrêt de l'équipement, le produit continue de fonctionner pendant environ 10 secondes pour vider le tuyau, puis s'arrête.

Système d'avertissement relatif au débit d'air

Le débit d'air dans le tuyau d'aspiration doit être supérieur à 20 m/s (66 pi/s).

Pour connaître le débit d'air minimal correspondant au diamètre de tuyau sélectionné, se reporter au tableau.

Niveaux d'alarme de débit d'air			
mm	pouce	m ³ /h	pi ³ /min
21	5/8	25	15
27	8	41	24

Niveaux d'alarme de débit d'air			
32	1 ¼	58	34
38	1 ½	82	48
42	1 ⅝	100	59
51	8	147	87
63	2 ½	224	132
76	3	327	192

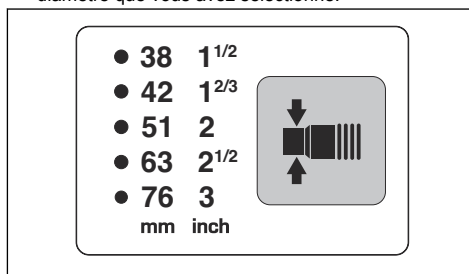
Remarque : Si le débit d'air est inférieur à 20 m/s (66 pi/s), l'alarme sonore et le symbole d'avertissement s'affichent. Se reporter à la section *Avertissements sur le panneau de commande (DE 110/DE120) à la page 83.*

Pour sélectionner le diamètre de la buse du tuyau

Remarque : Si le diamètre du tuyau n'est pas sélectionné correctement, le système d'avertissement du débit d'air s'allume.

Lors de la mise en marche du produit, le dernier diamètre de tuyau sélectionné est sélectionné automatiquement.

- Appuyer sur le bouton pour sélectionner le bon diamètre de tuyau. Le témoin à DEL vert indique le diamètre que vous avez sélectionné.

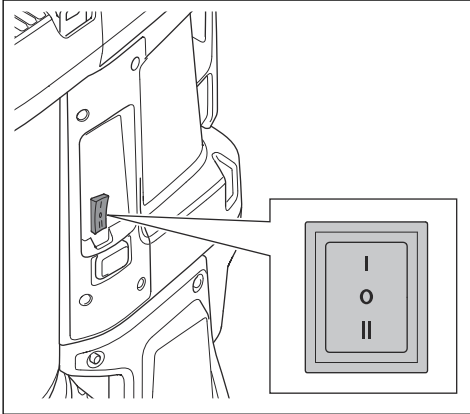


Démarrage et arrêt DE 110S

Remarque : Attendre 5 secondes après avoir mis le produit en marche pour qu'il fonctionne à pleine puissance d'aspiration. L'aspiration n'est pas à pleine capacité directement au démarrage.

1. S'assurer que la fréquence et la tension indiquées sur la plaque signalétique correspondent à l'alimentation électrique.
2. S'assurer que l'interrupteur ON/OFF (marche/arrêt) est à la position « 0 ».

3. Brancher le produit sur une prise de courant appropriée.
4. Appuyer sur l'interrupteur ON/OFF (marche/arrêt).



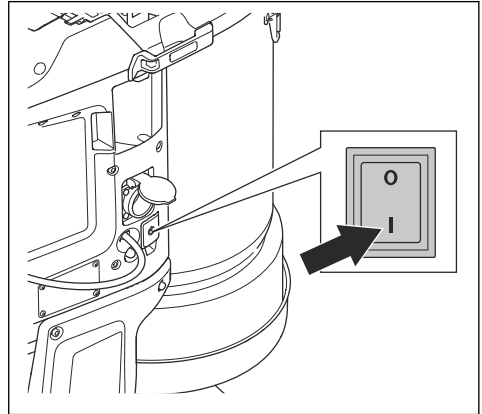
- a) Appuyer sur « I » pour démarrer le produit.
 - b) Appuyer sur « II » pour démarrer automatiquement. Se reporter à *Fonction de démarrage automatique (uniquement DE 110S 230V et DE 110S) à la page 73.*
5. Pour arrêter le produit, régler l'interrupteur ON/OFF (marche/arrêt) à la position « 0 ».
 6. Débrancher le produit de la prise de courant.

Démarrage et arrêt DE 110/DE 120

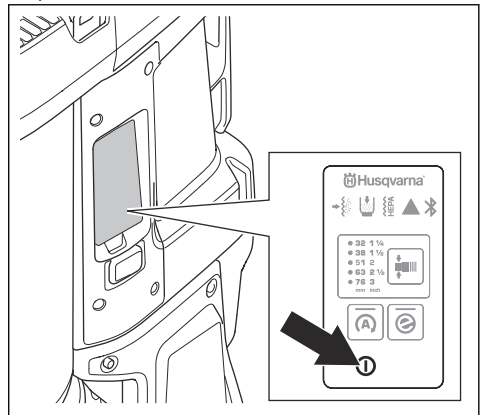
Remarque : Attendre 5 secondes après avoir mis le produit en marche pour qu'il fonctionne à pleine puissance d'aspiration. L'aspiration n'est pas à pleine capacité directement au démarrage.

1. S'assurer que la fréquence et la tension indiquées sur la plaque signalétique correspondent à l'alimentation électrique.
2. Brancher le produit sur une prise de courant appropriée.

3. Appuyer sur « I » sur l'interrupteur pour démarrer le produit.



4. Appuyer sur l'interrupteur ON/OFF (marche/arrêt) pour activer et désactiver le fonctionnement.



- a) Appuyer sur « I » pour démarrer le fonctionnement.
 - b) Appuyer sur « A » pour démarrer le fonctionnement automatique. Se reporter à *Fonction de démarrage automatique (uniquement DE 110S 230V et DE 110S) à la page 73.*
5. Pour arrêter le fonctionnement, appuyer sur le bouton On/Off (marche/arrêt). Le bouton s'éteint lorsque vous arrêtez le fonctionnement.
 6. Appuyer sur « 0 » sur l'interrupteur principal pour arrêter le produit.
 7. Débrancher le produit de la prise de courant.

Compteur horaire (DE 110/DE120) (Hour meter)

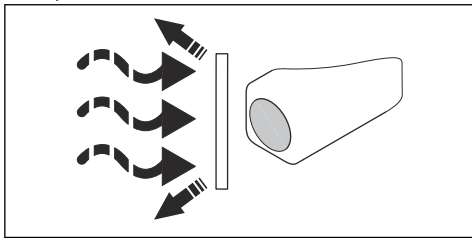
La fonction « Compteur horaire » (« hour meter ») indique la durée totale de fonctionnement du produit en heures.

Pour éliminer les particules de poussière du pré-filtre en cours de fonctionnement

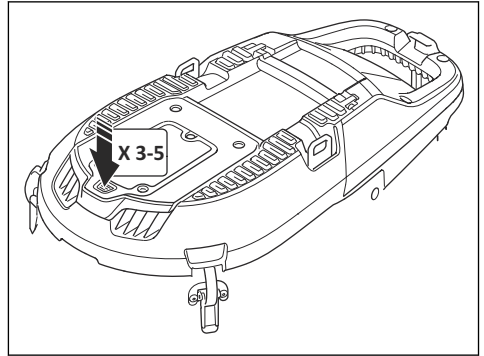
La procédure de vidange du filtre élimine les matières indésirables du pré-filtre. Cette procédure est à effectuer dans les situations suivantes :

- Avant un arrêt de travail ou à la fin de chaque journée de travail. Si le produit est arrêté pendant un certain temps, la poussière a le temps de retomber. La procédure de vidange du filtre est alors plus puissante.
- Lorsque la puissance d'aspiration est insuffisante.
- Avant l'installation d'un nouveau sac Longopac.
- Lorsque l'alarme de colmatage du pré-filtre se déclenche. Se reporter aux instructions figurant sur l'autocollant du couvercle du pré-filtre.

1. Démarrer le produit. Se reporter à la section *Démarrage et arrêt DE 110S à la page 73* ou *Démarrage et arrêt DE 110/DE 120 à la page 74*.
2. Couper le débit d'air qui passe par la bouche d'entrée d'air à l'aide du bouchon d'entrée d'air ou de la soupape d'admission pour provoquer une dépression.



3. Attendre 5 secondes que la dépression se produise, puis appuyer sur le bouton de vidange du filtre. Effectuer cette étape 3 à 5 fois. Il est important de laisser le produit produire une dépression entre chaque pression sur le bouton.



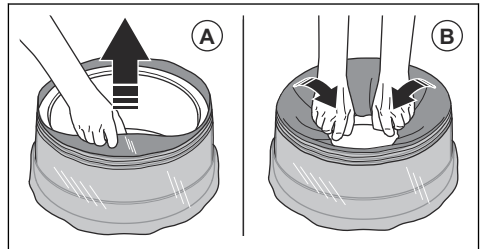
Si l'aspiration n'est pas suffisante après cette procédure, il est nécessaire de nettoyer le pré-filtre à l'eau. Se reporter à *Pour nettoyer le pré-filtre à l'eau à la page 80*.

Pour installer une nouvelle cassette de sac Longopac

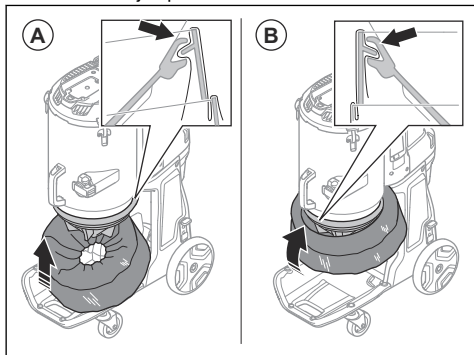


MISE EN GARDE : Nettoyez le pré-filtre avant d'installer une nouvelle cassette Longopac. Se reporter à *Pour éliminer les particules de poussière du pré-filtre en cours de fonctionnement à la page 75*.

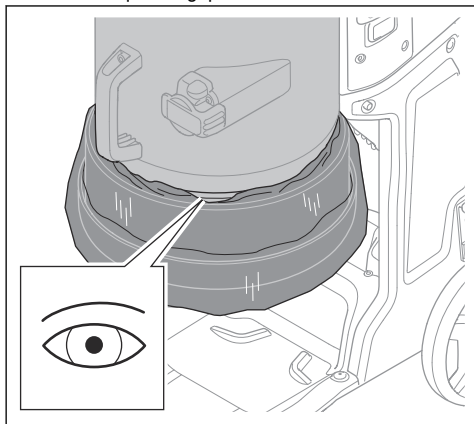
1. Placer la cassette Longopac autour du bord intérieur du support Longopac.
2. Ôter les 4 courroies après avoir placé la Longopac dans le support.
3. Faire remonter la couche intérieure de la cassette Longopac (A) et la replier dans le support (B).



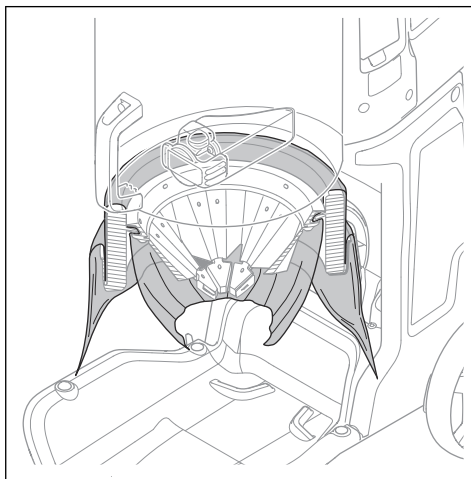
4. Fixer le support Longopac à la partie arrière du bac (A). Fixer ensuite le support Longopac sur les côtés et à l'avant du bac (B). Pousser le support Longopac vers le haut jusqu'à entendre un clic.



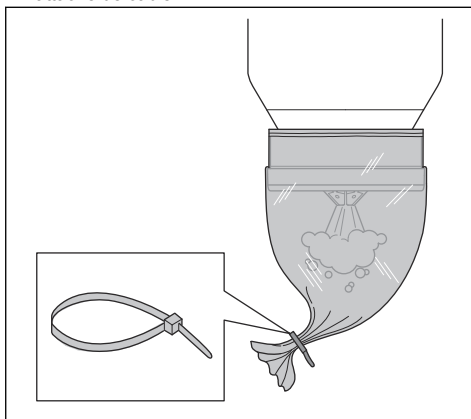
5. S'assurer que Longopac est scellée.



6. Tirer la couche extérieure de la cassette Longopac vers le bas.



7. Fermer la base de la Longopac au moyen d'une attache de câble.



Pour enlever un sac Longopac plein et en préparer un nouveau

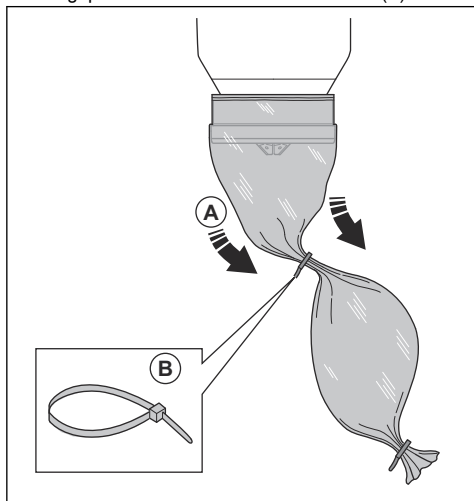


AVERTISSEMENT :

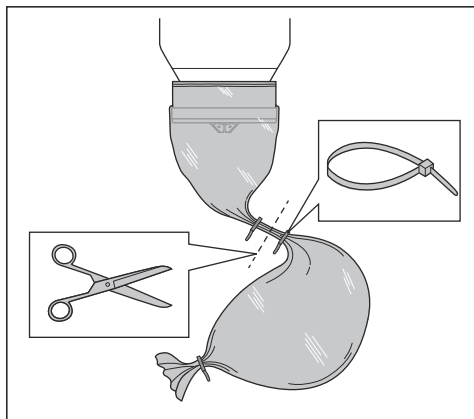
Soulever

le sac Longopac avec précaution, un sac Longopac plein peut être lourd. S'assurer que les attaches de câble sont correctement fermées avant de soulever le sac Longopac.

1. Sortir le sac Longopac (A) et fermer le nouveau sac Longopac à l'aide d'une attache de câble (B).



2. Secouer pour faire tomber la poussière dans le sac Longopac usagé.
3. Fixer une attache de câble 10 cm/3.9 po en dessous de la première attache de câble pour fermer le sac Longopac usagé. Couper le sac Longopac entre les attaches de câble.



4. Si la partie restante de la cassette du sac Longopac est trop petite pour préparer un nouveau sac Longopac, installer une nouvelle cassette de sac Longopac. Se reporter à *Pour installer une nouvelle cassette de sac Longopac à la page 75.*
5. Se conformer aux réglementations locales pour disposer du sac Longopac plein.

Après avoir utiliser le produit

1. Effectuer la procédure de vidange du filtre. Se reporter à *Pour éliminer les particules de poussière du pré-filtre en cours de fonctionnement à la page 75.*
2. Arrêter le produit, se référer à la section *Démarrage et arrêt DE 110S à la page 73* ou *Démarrage et arrêt DE 110/DE 120 à la page 74.*
3. Disposer du sac Longopac. Se reporter à *Pour enlever un sac Longopac plein et en préparer un nouveau à la page 76.*
4. Nettoyer le produit. Se reporter à *Nettoyage du produit à la page 79.*
5. Préparer le produit pour le transport. Se reporter à *Pour déplacer le produit sur de longues distances à la page 86.*

Entretien

Introduction



AVERTISSEMENT :

Les accidents liés aux produits se produisent pendant le dépannage, l'entretien et la

maintenance, car l'opérateur se situe dans la zone à risque du produit. L'opérateur doit être prudent, établir un plan et préparer le travail afin de prévenir les accidents.



AVERTISSEMENT :

Avant de procéder à l'entretien, s'assurer que l'interrupteur du moteur et l'interrupteur de la pompe sont en position d'arrêt. Débrancher le fil d'alimentation et retirer le câble de pompe.

respecter toutes les réglementations locales pour disposer correctement des poussières dangereuses, avant et pendant l'entretien.



AVERTISSEMENT : Le fabricant, ou une personne qualifiée, doit effectuer une inspection technique au moins une fois par an. L'inspection technique comprend l'inspection des filtres pour détecter tout dommage, l'étanchéité à l'air du produit et le bon fonctionnement du mécanisme de commande. De plus, l'efficacité de filtration du produit doit être testée au moins une fois par an ou plus fréquemment, selon les exigences nationales. Si le test n'est pas effectué, le filtre HEPA doit être remplacé par un filtre neuf.



AVERTISSEMENT :

Seul un électricien agréé est habilité à effectuer toutes les vérifications des composants électriques.



AVERTISSEMENT :

S'assurer de ne pas faire de trou dans le filtre. Risque de dispersion de poussière.

Calendrier de maintenance

La fréquence d'entretien est calculée sur la base d'une utilisation quotidienne. Les intervalles changent si le produit n'est pas utilisé tous les jours.



AVERTISSEMENT :

S'assurer de

Entretien	Avant chaque usage	Tous les jours	Toutes les semaines	Si l'aspiration est faible	Tous les 6 mois ou toutes les 600 h	Tous les 12 mois ou toutes les 2000 h
Effectuer la procédure de vidange du filtre. Se reporter à <i>Pour éliminer les particules de poussière du pré-filtre en cours de fonctionnement à la page 75.</i>	X					
Rechercher des signes d'usure ou de détérioration du cône en caoutchouc anti-poussière.	X					
Vérifiez la fiche et le cordon d'alimentation.	X					
S'assurer de l'absence de traces d'usure, de dommage ou de raccords desserrés au niveau des commandes avant de brancher la machine.	X					
Vérifier le tuyau et les connecteurs du tuyau.	X					
Rechercher des signes d'usure ou d'endommagement des pièces en plastique.	X					
Vérifier les anneaux de levage.	X					

Entretien	Avant chaque usage	Tous les jours	Toutes les semaines	Si l'aspiration est faible	Tous les 6 mois ou toutes les 600 h	Tous les 12 mois ou toutes les 2000 h
S'assurer que Longopac est conforme et qu'il est correctement fixé. Se reporter à <i>Pour installer une nouvelle cassette de sac Longopac à la page 75.</i>		X				
Vérifier la fonction de vidange du filtre.		X				
Vérifier les roues. S'assurer de l'absence de dommages et de raccords desserrés.			X			
Vérifier les joints du filtre.			X			
Effectuer la procédure de vidange du filtre. Si l'aspiration reste insuffisante, nettoyer le pré-filtre à l'eau. Se reporter à <i>Pour nettoyer le pré-filtre à l'eau à la page 80.</i>				X		
Remplacer le pré-filtre nettoyé si l'aspiration reste insuffisante. Se reporter à <i>Pour remplacer le préfiltre à la page 81.</i>				X		X
Remplacer le filtre HEPA.				X	X	
Remplacer le cône en caoutchouc anti-poussière.						X
Remplacer les pièces en caoutchouc de nettoyage du filtre.						X

Pour vérifier les fonctions du panneau de commande

- Démarrer le produit. Se reporter à la section *Démarrage et arrêt DE 110/DE 120 à la page 74.*
- Appuyer sur le bouton On/Off (marche/arrêt) et le maintenir enfoncé. Se reporter à *Fonctions du panneau de commande à la page 72*
- S'assurer que le produit s'arrête et que le voyant à DEL vert s'éteint.

Nettoyage du produit

Le fonctionnement peut entraîner une contamination de toutes les pièces du produit et de tout l'équipement utilisé. Il est donc nécessaire de nettoyer toutes les pièces du produit et tout l'équipement utilisé de façon complète et avec soin.



AVERTISSEMENT :

Débrancher le produit de la source d'alimentation.



AVERTISSEMENT :

Nettoyer le produit avant de le déplacer de la zone de travail. Les poussières restantes sur le produit peuvent se répandre dans l'air et présenter un risque pour la santé.

- Utiliser de l'équipement de protection personnelle. Se reporter à *Équipement de protection personnelle à la page 67.*
- Ne pas nettoyer le produit avec un nettoyeur à haute pression ou à l'aide d'air comprimé.
- Nettoyer la surface externe au moyen d'un chiffon humide.
- Ne pas utiliser de l'eau sur les composants électriques.
- Nettoyer les filtres comme indiqué à la section et *Remplacement du filtre HEPA à la page 81.*
- Après l'entretien, mettre les pièces mises au rebut dans des sacs en plastique. Se reporter aux réglementations locales pour connaître la procédure à suivre.

- En cas d'utilisation d'eau pour le nettoyage du produit, enlever le pré-filtre et le Longopac avant le nettoyage. S'assurer également que l'eau ne pénètre pas dans le filtre HEPA.

Pour nettoyer le pré-filtre à l'eau



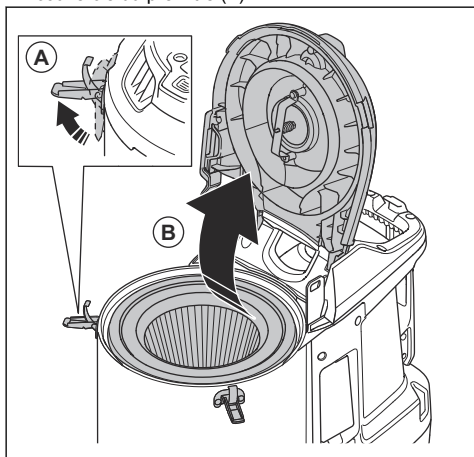
MISE EN GARDE : Ne pas nettoyer le préfiltre avec un nettoyeur à haute pression ou à l'aide d'air comprimé. Ne pas taper avec force sur le pré-filtre pour le nettoyer.



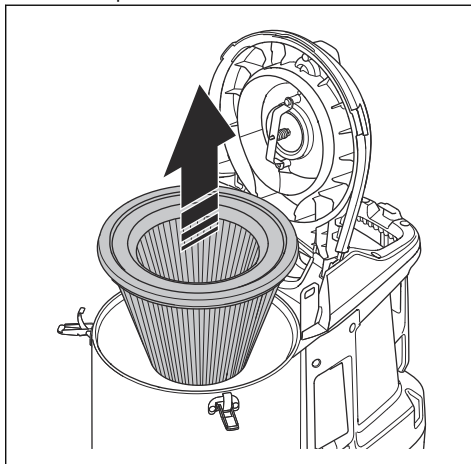
MISE EN GARDE : Ne pas le laisser sécher en plein soleil. Les joints s'assècheront.

Remarque : Un nettoyage à l'eau diminue progressivement l'efficacité du filtre.

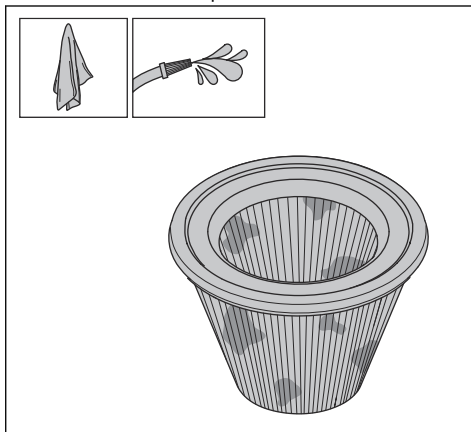
1. Desserrer les verrous du couvercle (A) et ouvrir le couvercle du pré-filtre (B).



2. Retirer le pré-filtre.



3. Nettoyer le pré-filtre à l'eau courante en partant de la surface intérieure du pré-filtre.



MISE EN GARDE : La pression de l'eau ne doit pas être supérieure à 4 bars.



MISE EN GARDE : Ne pas faire toucher ou faire glisser des éléments sur la surface du filtre, car cela pourrait endommager le filtre.

4. Laisser le préfiltre sécher complètement.



MISE EN GARDE : Le préfiltre doit être parfaitement sec avant de le réinstaller dans son boîtier.

5. Installer le préfiltre, fermer le couvercle du préfiltre et resserrer les verrous du couvercle.

Si le préfiltre ne peut pas être nettoyé complètement ou s'il est endommagé, il doit être remplacé. Se reporter à *Pour remplacer le préfiltre à la page 81*.

Remplacement du filtre



AVERTISSEMENT :

Utiliser de l'équipement de protection personnelle. Se reporter à *Équipement de protection personnelle à la page 67*. Des poussières dangereuses peuvent être libérées dans l'air lors du remplacement du filtre.



AVERTISSEMENT :

Arrêter le produit et débrancher la source d'alimentation avant de remplacer le filtre.

Pour remplacer le préfiltre

1. Retirer le pré-filtre. Se reporter à *Pour nettoyer le pré-filtre à l'eau à la page 80*.
2. Placer soigneusement le préfiltre dans un sac en plastique.
3. Disposer correctement du sac en plastique. Se reporter aux réglementations locales.
4. Installer le nouveau préfiltre.

Si l'aspiration n'est pas suffisante lorsqu'un nouveau préfiltre est installé, il est nécessaire de remplacer le filtre HEPA. Se reporter à *Remplacement du filtre HEPA à la page 81*.

Remplacement du filtre HEPA

Le filtre HEPA ne peut pas être nettoyé. Il est toujours nécessaire de le remplacer par un nouveau filtre HEPA. Utiliser uniquement les filtres Husqvarna AB HEPA.



AVERTISSEMENT :

Seul un centre de service agréé ou une autorité agréée est autorisé à remplacer le filtre HEPA.



AVERTISSEMENT :

Toujours utiliser un équipement de protection individuelle,

se reporter à la section *Équipement de protection personnelle à la page 67*.



AVERTISSEMENT :

La poussière présente dans le filtre HEPA est dangereuse pour la santé.



AVERTISSEMENT :

S'assurer que le filtre HEPA ne présente pas de trous. Un filtre HEPA endommagé constitue un risque pour la santé.

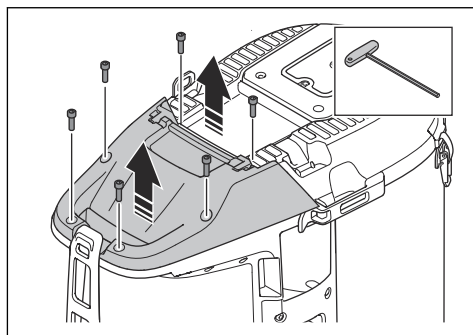


AVERTISSEMENT : Ne pas installer un filtre HEPA usé. Si vous installez un filtre HEPA usé, cela peut mener à des fuites et à une réduction de l'efficacité de filtration.

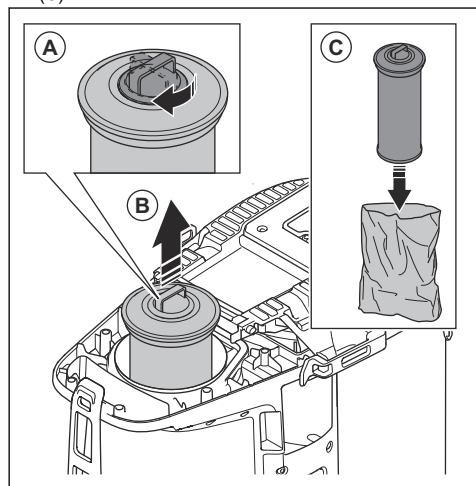


MISE EN GARDE : Ne pas toucher la surface intérieure du filtre HEPA. Cela pourrait endommager le filtre HEPA.

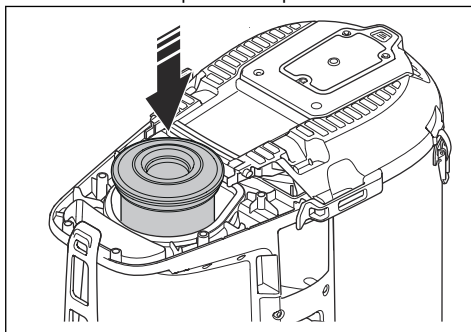
1. Desserrer les 6 vis et retirer le couvercle du filtre HEPA.



2. Fixer le capuchon anti-poussière (A) et retirer le filtre HEPA. Le mettre dans un sac en plastique propre (C).



3. Disposer correctement du sac en plastique. Se reporter aux réglementations locales.
4. Installer un nouveau filtre HEPA. Assurez-vous que le filtre HEPA est poussé à la position finale.



5. Installer le couvercle du filtre HEPA et serrer les 6 vis.

Dépannage

Annexe sur le dépannage

Problème	Cause	Solution
Le moteur s'arrête immédiatement après le démarrage ou ne démarre pas.	Il n'y a pas de courant.	Brancher le produit à la source d'alimentation.
	Le cordon d'alimentation est défectueux.	Demander à un atelier spécialisé agréé de réparer le produit.
	Il y a un court-circuit dans le produit.	Demander à un atelier spécialisé agréé de réparer le produit.
	Le filtre HEPA est endommagé ou n'est pas installé (DE 110/DE 120).	Remplacer ou installer le filtre HEPA.
	Tension d'alimentation trop élevée.	S'assurer que l'alimentation électrique correcte est utilisée.
	Température ambiante trop élevée.	S'assurer que la température ambiante est dans la plage spécifiée lors de l'utilisation du produit.
	Le ventilateur est cassé ou débranché.	Demander à un atelier spécialisé agréé de réparer le produit.

Problème	Cause	Solution
Le moteur est en marche mais il n'y a pas d'aspiration.	Le tuyau de l'extracteur de poussière est mal raccordé.	Raccorder le tuyau de l'extracteur de poussière.
	Le tuyau de l'extracteur de poussière est obstrué.	Nettoyer le tuyau de l'extracteur de poussière.
	Il n'y a pas de sac Longopac.	Installer une cassette Longopac.
	Le Longopac n'est pas fermé à l'aide d'une attache de câble.	Fixer une attache de câble.
L'aspiration n'est pas suffisante.	Tension d'alimentation trop faible.	S'assurer que l'alimentation électrique correcte est utilisée.
	Il y a un trou dans le tuyau de l'extracteur de poussière.	Remplacer le tuyau de l'extracteur de poussière.
	Le préfiltre est bouché.	Retirer les particules de poussière du préfiltre. Nettoyer ou remplacer le préfiltre si nécessaire.
	Le filtre HEPA est bouché.	Remplacer le filtre HEPA. Se reporter à <i>Remplacement du filtre HEPA à la page 81</i> .
	Le couvercle supérieur est desserré.	Fermer complètement le couvercle supérieur.
	Les joints sont endommagés.	Remplacer les joints.
Le moteur dégage de la poussière dans l'air.	Les filtres sont mal installés ou endommagés.	Installer les filtres correctement. Remplacer les filtres endommagés.
Un bruit inhabituel provient du produit.	S.O.	Demander à un atelier spécialisé agréé de réparer le produit.




Avertissements sur le panneau de commande (DE 110/DE120)



MISE EN GARDE : Ne pas utiliser le produit si le témoin rouge s'allume. Si la solution initiale ne permet pas d'éliminer

l'erreur, s'adresser à un agent de service agréé avant de remettre le produit en marche.

Symbole	Force du	Cause	Solution
	Le signal sonore et le témoin rouge s'allument.	Le préfiltre est bouché.	Effectuer une procédure de vidange du filtre, se reporter à la section <i>Pour éliminer les particules de poussière du pré-filtre en cours de fonctionnement à la page 75</i> .
		Un mauvais tuyau est connecté ou sélectionné sur le panneau de commande.	Raccorder le bon tuyau ou sélectionner la bonne dimension de tuyau sur le panneau de commande.
		Le tuyau est endommagé ou compressé.	Remplacez le tuyau.
		Le tuyau est bouché.	Déboucher le tuyau.
	Le témoin rouge clignote.	Le tuyau d'aspiration principal est débranché.	Demander à un atelier spécialisé agréé de réparer le produit.

Symbole	Force du	Cause	Solution
	Le témoin rouge s'allume.	Le filtre HEPA est manquant, saturé ou endommagé.	Installez le HEPA s'il manque. Vérifier le filtre HEPA, le remplacer si nécessaire. Se reporter à <i>Remplacement du filtre HEPA à la page 81</i> .
	Le témoin rouge s'allume.	L'unité de commande est endommagée.	Demander à un atelier spécialisé agréé de réparer le produit.
		Température ambiante trop élevée.	S'assurer que la température ambiante est dans la plage spécifiée lors de l'utilisation du produit.
		Avertissement.	Consulter le dossier d'utilisation à partir de votre application Husqvarna Fleet ou s'adresser à un agent de service agréé.
	Le témoin jaune s'allume.	Le filtre HEPA est presque saturé.	Remplacer le filtre HEPA si nécessaire.
	Le témoin rouge s'allume.	Le filtre HEPA est saturé.	Remplacer le filtre HEPA.

Codes d'erreur

Code d'erreur	Erreur	Description	Cause(s) probable(s)	Action(s)
2	Filtre HEPA manquant.	Le produit s'arrête/ne démarre pas. + Témoin d'avertissement sur l'interface homme-machine (HMI). + Symbole HEPA sur l'interface homme-machine (HMI).	Le filtre HEPA est absent ou endommagé.	Monter ou remplacer le filtre HEPA.
3	Faible tension d'alimentation.	Faibles performances (faible débit d'air/dépression).	Tension trop faible au niveau du réseau/de l'alimentation électrique.	S'assurer que la grille/l'alimentation électrique utilisée est correcte.
4	Tension d'alimentation élevée.	Le produit s'arrête/ne démarre pas. + Témoin DEL d'avertissement sur l'interface homme-machine (HMI).	Tension trop élevée au niveau du réseau/de l'alimentation électrique.	S'assurer que la grille/l'alimentation électrique utilisée est correcte.
			Mauvaise batterie utilisée.	Utiliser la bonne batterie.
5	Erreur du capteur de pression principal.	Le témoin du préfiltre clignote en rouge.	Le tuyau d'aspiration est débranché ou bloqué.	Communiquer avec un atelier spécialisé agréé.
			L'unité de commande est endommagée.	

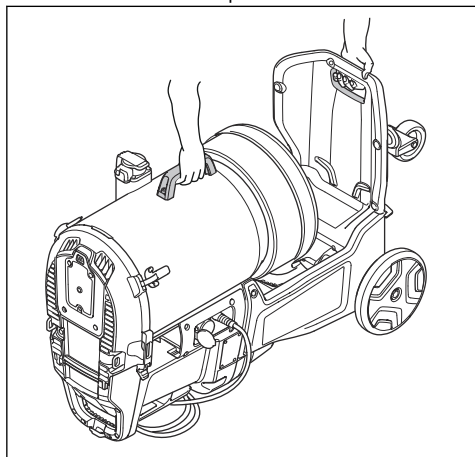
Code d'erreur	Erreur	Description	Cause(s) probable(s)	Action(s)
6	Température du circuit imprimé trop élevée.	Le produit s'arrête/ne démarre pas. + Témoin DEL d'avertissement sur l'interface homme-machine (HMI).	Température ambiante trop élevée.	Ne pas utiliser le produit en dehors de la plage de température spécifiée.
7	Mauvais fonctionnement du ventilateur.	Le produit s'arrête/ne démarre pas. + Témoin DEL d'avertissement sur l'interface homme-machine (HMI).	Le ventilateur est endommagé ou débranché.	Communiquer avec un atelier spécialisé agréé.
			L'unité de commande est endommagée.	
9	Communication unifilaire non détectée.	Le produit s'arrête/ne démarre pas. + Témoin DEL d'avertissement sur l'interface homme-machine (HMI).	Le câble est déconnecté ou endommagé.	Communiquer avec un atelier spécialisé agréé.

Transport, entreposage et mise au rebut

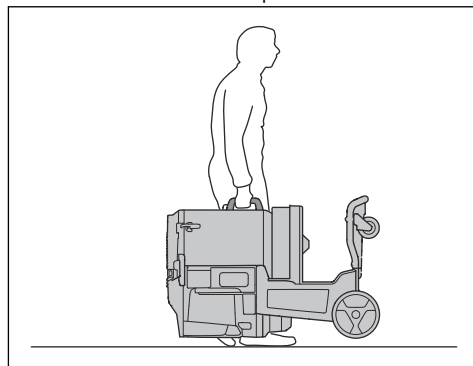
Pour déplacer le produit sur de courtes distances

S'assurer que la soupape d'admission est fermée.
S'assurer que les capuchons anti-poussière sont sur les tuyaux.

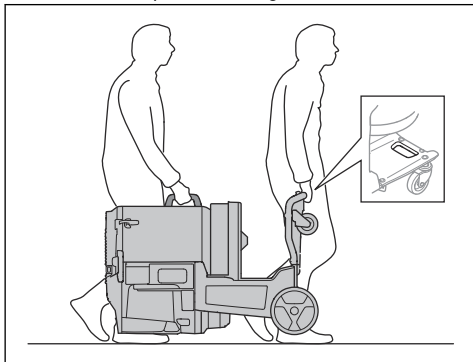
1. Placer l'outil sur un sol plat.



2. Soulevez manuellement le produit.



3. Si 2 personnes soulèvent le produit, s'assurer d'utiliser les 2 points de levage.

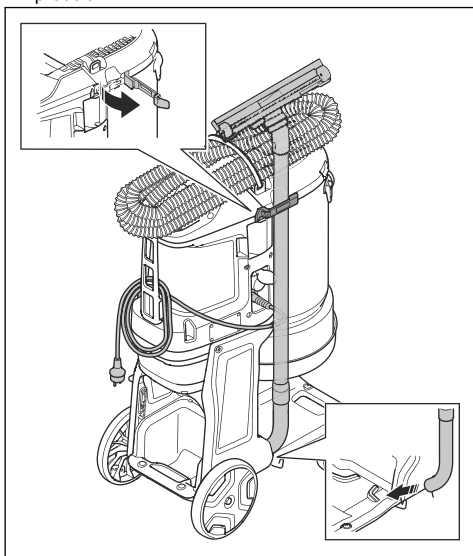


Pour déplacer le produit sur de longues distances

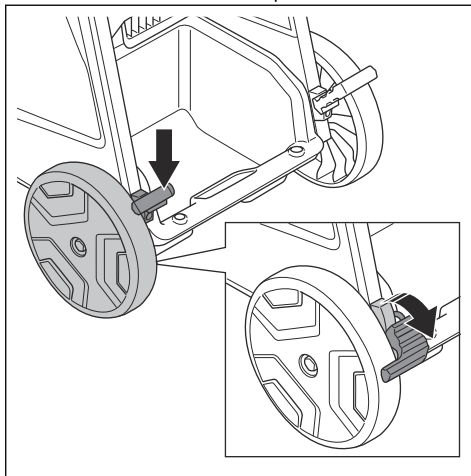
S'assurer d'utiliser un véhicule fermé pendant le transport du produit.

S'assurer que la soupape d'admission est fermée. S'assurer que les capuchons anti-poussière sont sur les tuyaux.

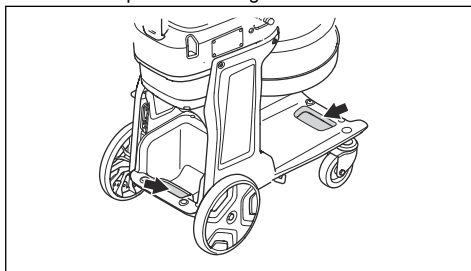
1. S'assurer que le Longopac est installé sur le produit.
2. S'assurer que le sac Longopac est vide.
3. Fixer fermement le cordon d'alimentation, le tuyau de l'extracteur de poussière et le tube de poignée au produit.



4. Verrouiller les roues de transport.



5. Soulever le produit, se reporter à la section *Levage du produit à la page 86*.
6. Fixer le produit en toute sécurité au véhicule de transport pour éviter les dommages et les accidents. Utiliser les points d'arrimage.



Levage du produit



AVERTISSEMENT :

S'assurer que l'équipement de levage et les courroies de levage possèdent les spécifications correctes pour soulever le produit en toute sécurité. La plaque signalétique du produit indique le poids du produit, se reporter à la section *Plaque signalétique à la page 63*.



AVERTISSEMENT :

Obtenir l'aide si on n'est pas sûr de la procédure de levage des équipements lourds.

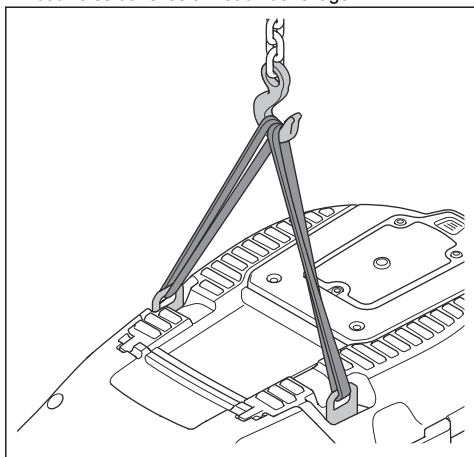


AVERTISSEMENT :

Ne pas soulever le produit en présence de poussière dans le réservoir ou dans le sac . Ne pas soulever le produit si un poids supplémentaire a été ajouté dans ou sur le produit.

- Avant d'entreposer le produit, effectuer la procédure de vidange du filtre et disposer du Longopac contenant les matériaux récupérés
- Débrancher le produit de la source d'alimentation.
- Placer le produit dans un endroit sec et à l'abri du gel.
- Placez le produit dans un endroit fermé à clé. Ne pas laisser les enfants ou les personnes non autorisées utiliser le produit ou s'en approcher.

1. Effectuer la procédure de vidange du filtre avant de soulever le produit. Se reporter à *Pour éliminer les particules de poussière du pré-filtre en cours de fonctionnement à la page 75.*
2. Pour soulever le produit en toute sécurité, passer les courroies dans les anneaux de levage.



Mise au rebut du produit

- Respecter les exigences locales en matière de recyclage et la réglementation en vigueur.
- Lorsqu'on n'utilise plus le produit, l'envoyer à un détaillant Husqvarna ou le mettre au rebut à un emplacement de recyclage.



AVERTISSEMENT :

Ne pas utiliser de crochets métalliques, de chaînes ou d'autres équipements de levage aux bords rugueux qui pourraient endommager l'anneau de levage. Seules les courroies de levage souples sont autorisées.

Entreposage du produit



MISE EN GARDE : Entreposer le produit à l'intérieur, loin des éléments extérieurs.

- Stocker le produit dans les zones où la température ambiante est comprise entre -10 °C/14 °F et 40 °C/104 °F.

Données techniques

Caractéristiques techniques

Données	DE 110S	DE 110	DE 120	DE 120
Tension nominale, V	120			230
Phase	1			
Fréquence, Hz	50-60			
Puissance maximale, W	900	1100	2200	
Courant maximal, A	7,5	9,5	19	10
Débit d'air maximal de la turbine, pi ³ /min / m ³ /h	127/215	141/240	283/480	
Débit d'air maximal de l'extracteur, pi ³ /min / m ³ /h	106/180	124/210	241/410	
Dépression maximale de la turbine, lb/po ² / kPa / po H2O	2,9 / 20 / 80			
Longueur du tuyau de l'extracteur de poussière, pi / m	16,4 / 5,0		24,6 / 7,5	
Diamètre du tuyau de l'extracteur de poussières, po/mm	1,5 / 38		2,0 / 51	
Prise auxiliaire	Non	Oui	Non	
Charge maximale de la prise auxiliaire, A	S.O.	10	S.O.	
Zone de préfiltre, pi ² / m ²	15,4 / 1,4		29,5 / 2,7	
Efficacité du filtre HEPA	HEPA 13			
Surface de HEPA totale, pi ² / m ² HEPA 13	12,7 / 1,2		25,4 / 2,4	
Système de collecte de la poussière, type	Longopac			
Mécanisme de nettoyage du filtre	Jet Pulse			
Dimensions L×l×H, po / mm	26,4×15,7×39,4 / 670×400×1000		32,1×21,3×44,3 / 815×542×1125	
Poids, lb/kg	55 / 25		86 / 39	
Niveau de puissance acoustique garanti (L _{WA}), dB(A) ⁷	92,2		97,3	
Niveau de pression sonore L _{PA} au niveau de l'oreille de l'utilisateur, en dB(A) ⁸	77		81,6	
Niveau de vibrations a _h , m/s ² ⁹	≤2,5			
Classe de protection	IP54		IP55	

⁷ Émission du bruit dans l'environnement mesurée en tant que puissance acoustique (L_{WA}) conforme à la directive EN 60335-2-69. Incertitude Kwa 2dB.

⁸ Niveau de pression sonore selon la directive EN 60335-2-69. Incertitude KPA 2dB.

⁹ Niveau de vibration selon EN 60335-2-69. Les données signalées pour le niveau de vibration présentent une dispersion statistique type (écart standard) de 1 m/s².

Données	DE 110S	DE 110	DE 120	DE 120
Connexion secteur (type)	Nema 5-15P		Nema 5-20P	NEMA L6-20 250V 20A

Connectivité intégrée

Remarque : Cette partie concerne uniquement les produits fournis avec une connectivité intégrée.

Spectre radio de la technologie BLE	
Bandes de fréquences de l'outil, GHz	2,402-2,480
Émission maximale de radiofréquence, dBm/mW	4/2,5

garantie

Le nouvel équipement vendu par , est garanti exempt de tout défaut de fabrication en fonctionnement normal pour une période d'un (1) an à partir de la date de l'achat par le consommateur acheteur initial.* Les fabricants des pièces proposent des périodes de garantie distinctes. Pour obtenir tous les renseignements, communiquer avec le service technique au 800 365-5040.

En vertu de cette garantie, l'obligation de Husqvarna est expressément limitée au remplacement ou à la réparation chez Husqvarna Construction Products, ou à un atelier d'entretien désigné par nos soins, des pièces jugées défectueuses lors de l'inspection.

Cette garantie ne s'applique pas aux défauts occasionnés par des dommages, une utilisation abusive, des réparations inadéquates effectuées ailleurs ou aux défauts causés par l'absence d'un entretien raisonnable, pendant que le consommateur est en possession du produit. Par ailleurs, la garantie est nulle si le produit, ou l'un de ses composants sont modifiés par le consommateur ou si le produit est utilisé d'une façon inappropriée ou avec des lames non recommandées par le fabricant.

(*) Husqvarna offre une garantie de 1 an sur tous les équipements avec les exceptions suivantes :

- Grandes scies à lame plate – 2 ans (scies à lame plate diesel et essence > 30 hp)
- Moteurs de forage DM 280/DM 340/DM 650 – 2 ans
- PG 530/PG 680/PG 820 (toutes les variantes, y compris RC) – 2 ans ou 1 000 heures (selon ce qui vient en premier)
- Embrayage de lame sur les grandes scies à lame plate – 6 mois

Les pièces d'usure ne sont pas couvertes par la garantie :

- Courroies
- Roulements**
- Roues de chariot
- Filtres
- Roues***
- Plaques d'usure
- Bougies d'allumage

(**) Sauf système IntelliSeal

(***) Sauf délaminage.

Marques déposées

La marque et les logos *Bluetooth*[®] sont des marques déposées appartenant à *Bluetooth SIG, inc.* et tout usage de ces marques par Husqvarna est soumise à licence.



www.husqvarnaconstruction.com

Original instructions
Instrucciones originales
Instructions d'origine

1142549-49 Rev. B



2022-12-13