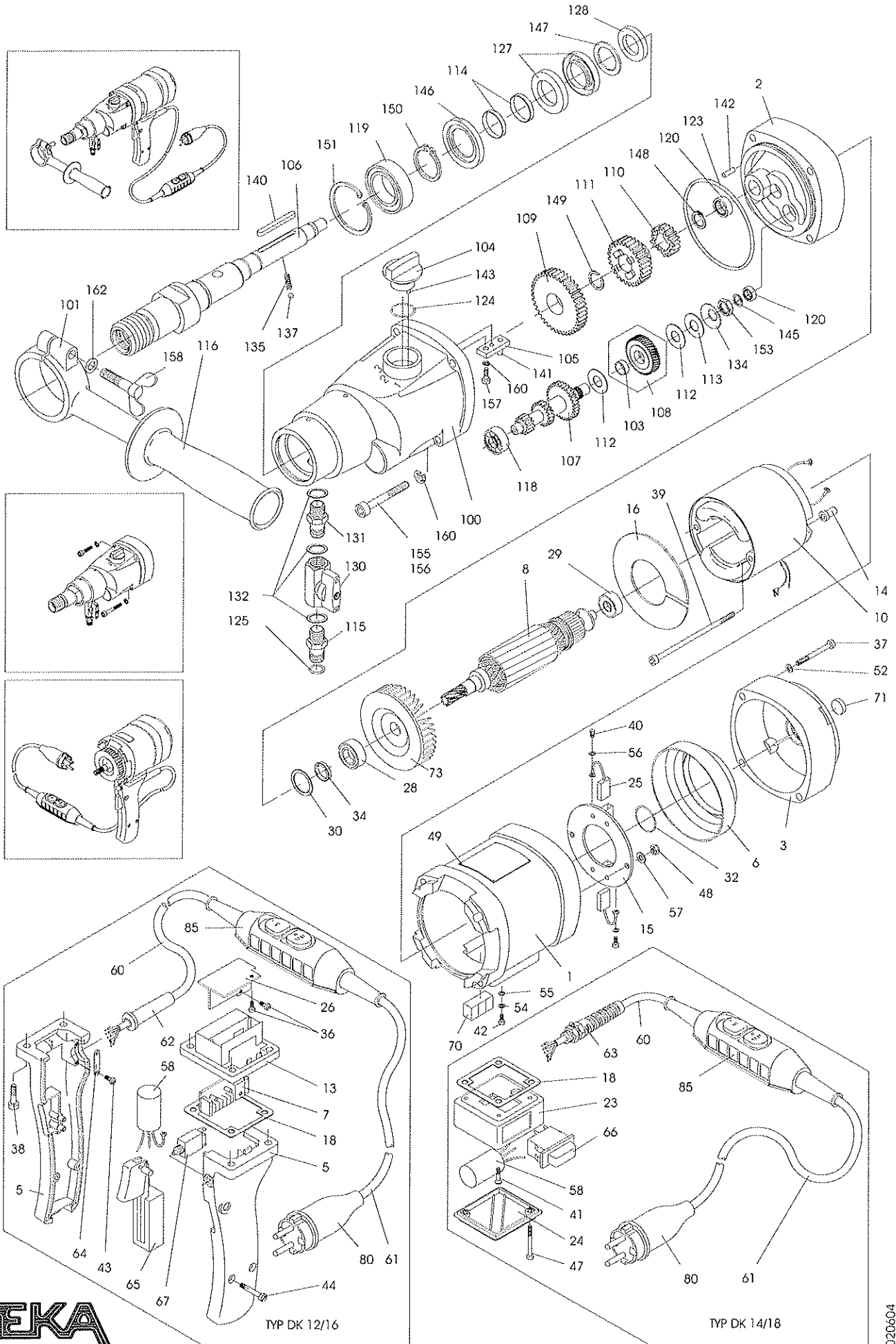


DIAMANT-KERNBOHRMASCHINE TYP DK 12/14/16/18



SPARE PARTS LIST - DIAMOND CORE DRILL TYPE DME 2.0

EE-DK1 300300

FIG NO	DESCRIPTION	PART NO	FIG NO	DESCRIPTION	PART NO
1	Motorcase	DK10101	100	Gear Box	DK10201
2	Intermediate Flange	DK10102	101	Clamp Ring	DK12202
3	Motor Top Hood	DK10103	103	Bearing Socket	DK10221
5	Switch Handle 230 V	DK 12 DK12105	104	Gear Change Grip	DK10203
5	Switch Handle 110 V	DK 12 DK12105/11	105	Gear Change Lever	DK20205
6	Insulating Ring	DK10106	106	Drilling Spindle cpl. w. Pos. 114,135,137	
7	Electronic Module (only 230 V)	DK10510		Tool Thread G 1/2"	DK10206
8	Armature with Fan and Bearings 230 V	DK10108		Tool Thread 1 1/4" + G 1/2"	DK10206.3
8	Armature with Fan and Bearings 110 V	DK10108/11		Tool Thread 32 mm square	DK10206.4
10	Field compl. 230 V	DK10109	107	Pinion Shaft	DK10208
10	Field compl. 110 V	DK10109/11	108	Clutch Wheel	DK12209
11	Seal Bush (incl O Ring)	DK10113	109	Gear Wheel 1	DK10212
12	Fixing Ring *	DK10114	110	Gear Wheel 3	DK10213
13	Electronic Case (only 230 V)	DK10135	111	Slide Gear Wheel	DK10214
14	Fieldscrew Insulating Sleeve	DK10116	112	Brake Disk	DK10218
15	Brush Holder Disc	DK10117	113	Pressure Disk	DK10219
16	Air Conducting Disk	DK10118	114	Protective Sleeve	DK10220
18	Terminal Case Packing	DK10122	115	Quick Connect Nipple	DK20225
23	Terminal Case	DK 14 DK14130	116	Handle	DK 12 8900014
24	Terminal Case Cover	DK 14 DK14135	118	Ball Bearing	629 6062900
25	Carbon Brush 230 V	DK10125	119	Ball Bearing	6005 2RS 6060052
25	Carbon Brush 110 V	DK10125/11	120	Needle Bush	HK1010 6310100
26	Cooling Profile (only 230 V)	DK10140	123	O-Ring	RDR78x2 5578002
28	Ball Bearing	6060011	124	O-Ring	RDR20x3 5520003
29	Ball Bearing	6060002	125	O-Ring	RDR11x2,5 5511025
30	Compensation Washer	2628171	127	Rotary Shaft Seal	AD24x40x7 5024407
32	O-Ring	RDR26x2,5 4526025	128	Rotary Shaft Seal	AD22x35x7 5022357
33	O-Ring * Part of Seal bush	RDR24x1,5 4524015	130	Ball Valve with Grip	G1/4"i/i 7014001
34	V-Seal *	5112000		Grip	7014005
36	Thread Roll. Head Screw	M4x6 0504006	131	Douple Nipple	G1/4"a 7014002
37	Hex. Soc. Head Screw	M5x35 0105035	132	Sealing Ring	G1/4 7014003
38	Hex. Soc. Head Screw	M5x25 DK 12 0205025	134	Disk Spring	4028142
39	Fill. Head Screw	M4x100 0204100	135	Pressures Spring	0,5x3,2x16 4305016
40	Fill. Head Screw	M3x5 0203005	137	Ball	RB-4 2204000
41	C.R. Counters. H. Screw	M5x16 DK 14 0405016	140	Parallel Key	A5x5x40 3005040
42	Sl. Pan Head Screw	M4x6 0304006	141	Parallel Pin	5m6x15 2505015
43	Pan Head Tapping Screw	DK 12 0539095	142	Parallel Pin	4m6x10 2504010
44	Pan Head Tapping Screw	DK 12 0539019	143	Parallel Pin	3m6x16 2503016
47	Raised Head Screw	M5x50 DK 14 0205050	145	Shim Ring	PS10x16x1 1910161
48	Hexagon Nut	M4 1004000	146	Supporting Ring	DK10204
49	Round Head grooved Pin	2,3x4 2223004	147	Shim Ring	PS25x40x0,3 1925403
52	Locking Washer	SM5 1805000	148	Retaining Ring	AV14 3514001
54	Curved Spring Washer	A4 1804137	149	Retaining Ring	SW18 3618000
55	Medium Washer	4,3 1804433	150	Retaining Ring	25x1,2 3525012
56	Medium Washer	3,2 1803433	151	Retaining Ring	47x1,75 2547175
58	Int. Suppr. Capacitor	DK10130	153	Hexagon Nut	BM12x1,5 1012015
60	Cord G1,5x0,8	(for PRCD) 8708151	155	Hex. Soc. Head Screw	M5x80 0105080
61	Cord G1,5x3	(for PRCD) 8730151	156	Hex. Soc. Head Screw	M5x50 0105050
61	Cord G1,5x3,8 (AWG16)	CEE plug 8738151	157	Hex. Soc. Head Screw	M5x12 0105012
62	Cord Sleeve	DK 12 8701000	158	Wing Screw	M6x40 DK 12 0506040
63	Cord Gland	DK 14 8800011	160	Locking Washer	SM5 1805000
64	Cord Clamping Piece	DK 12 8800010	162	Medium Washer	A 6 DK 12 1806125
65	Motor Switch	DK 12 8015212	1	Gear Oil	130 ml 9012001
66	Motor Switch 230 V	DK 14 8015014			
66	Motor Switch 110 V	DK 14 8015514	1	Carrying Case	DK 12 DK10810
67	Motor Protective Switch 110 V	DK 12 8010615			
70	Tube Water-Level	7510029			
71	Tin Water-Level	7500015			
73	Fan	DK20105			
80	Mains Plug	16 A 8016013			
80	Mains Plug 230 V	CEE-16A-1h 8016001			
85	Pointing Sticker	DK20620			
85	PRCD Inline Protector	10mA 230 V 8400010			
85	PRCD Inline Protector	10mA 110 V 8400110			

Please specify in case of spare part orders:
Machine No., Quantity, Description, Part No. and by
electrical parts the voltage.

WEKA Elektrowerkzeuge, Auf der Höhe 20, D 75387
Neubulach - Altbulach, Germany

* Parts been replaced by Seal Bush (DK10113-1) & Rotary Shaft Seal (501224-7)

Telephone: +49 7053 6381 • Telefax: +49 7053 3138 • Internet: <http://www.weka.cw-net.de> • Email: weka@cw-net.de