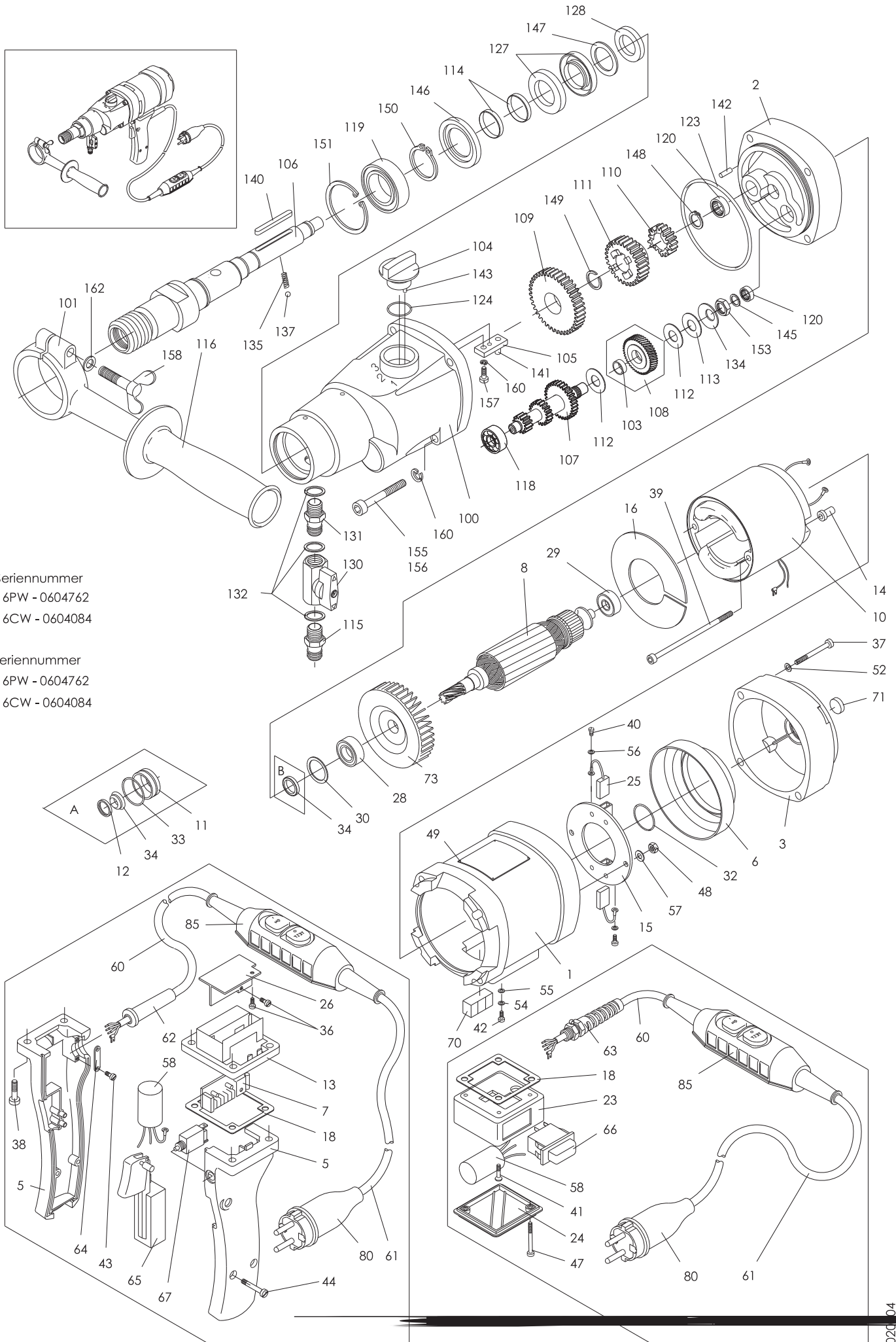


DIAMANT-KERNBOHRMASCHINE TYP DME16, DME20



SPARE PARTS LIST - DIAMOND CORE DRILL TYPE DME16/DME20

EE-DME16-20 220408

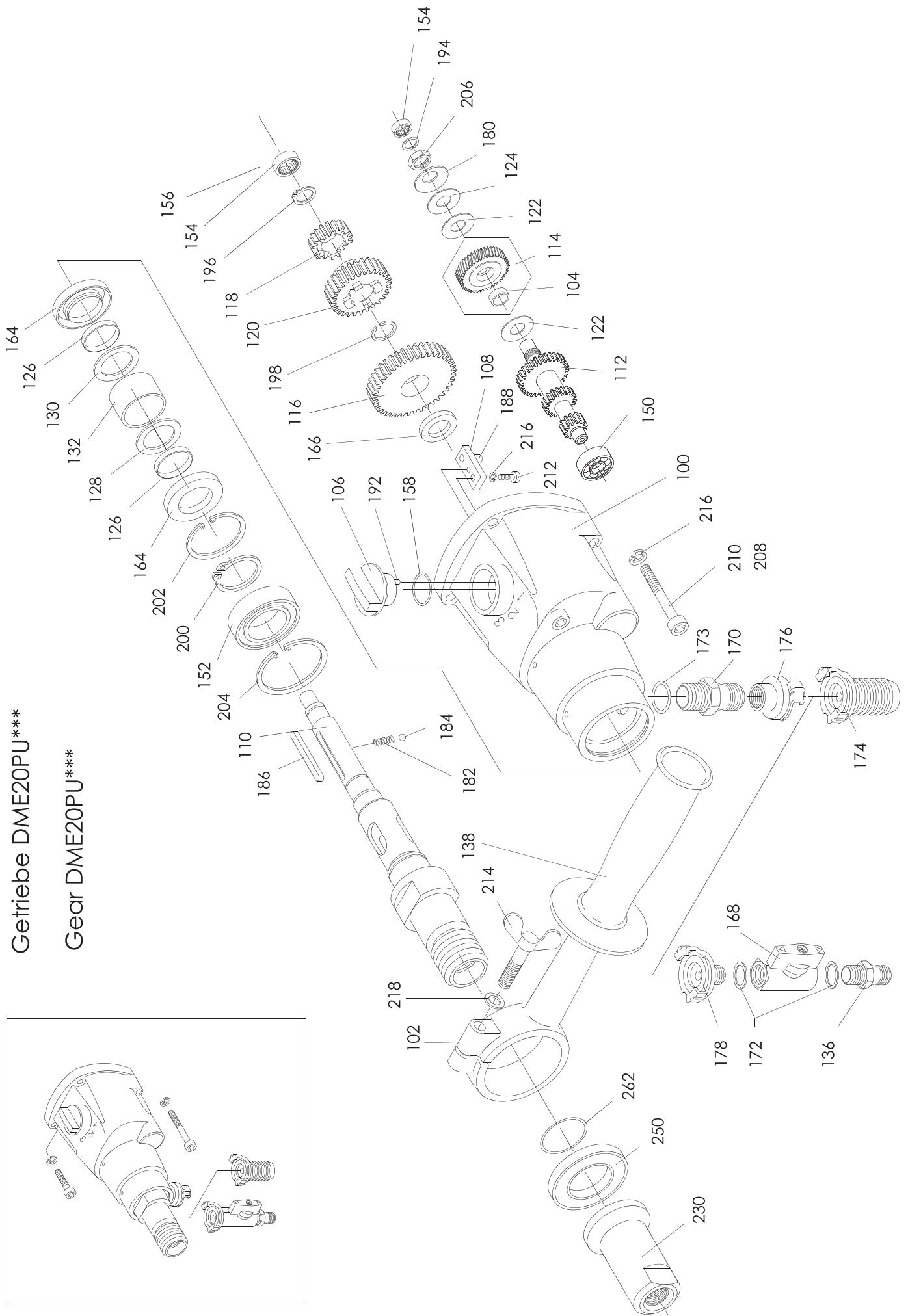
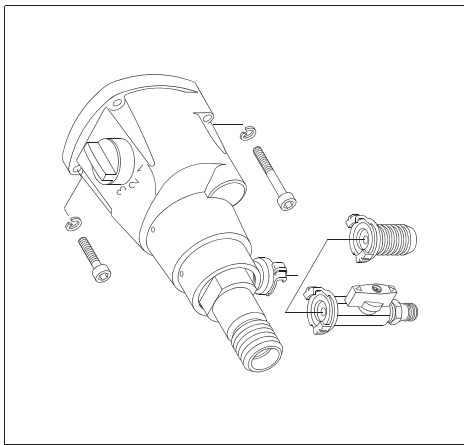
| FIG | NO | DESCRIPTION | PART NO | FIG | NO | DESCRIPTION | PART NO |
|-----|----|----------------------------------|---------------------|-----|----|---|--------------------|
| 1 | 1 | Motorcase | 968996 | 100 | 1 | Gear Box | 969012 |
| 2 | 1 | Intermediate Flange | 10980279 | 101 | 1 | Clamp Ring | -16N 969029 |
| 3 | 1 | Motor Top Hood | 968998 | 103 | 1 | Bearing Socket | 969024 |
| 5 | 1 | Switch Handle 230 V | -16N 969028 | 104 | 1 | Gear Change Grip | 969013 |
| | 1 | Switch Handle 110 V | -16N 10980310 | 105 | 1 | Gear Change Lever | -16 969051 |
| 6 | 1 | Insulating Ring | 968999 | | 1 | Gear Change Lever | -20 965389 |
| 7 | 1 | Electronic Module 230 V | -16 969026 | 106 | 1 | Drilling Spindle cpl. w. Pos. 114,135,137 | |
| | 1 | Electronic Module 230 V | -20 10983226 | | | Tool Thread G 1/2" | 969015 |
| | 1 | Electronic Module 110 V | -16 10980350 | | | Tool Thread 1 1/4" + G 1/2" | 963413 |
| | 1 | Electronic Module 110 V | -20 10982069 | | | Tool Thread 32 mm square | 10979617 |
| 8 | 1 | Armature w. Fan + Bearings 230 V | -16 10980280 | 107 | 1 | Pinion Shaft | -16 969017 |
| | 1 | Armature w. Fan + Bearings 110 V | -16 10980281 | | 1 | Pinion Shaft | -20 10983229 |
| | 1 | Armature w. Fan + Bearings 230 V | -20 10982250 | 108 | 1 | Clutch Wheel | 969030 |
| | 1 | Armature w. Fan + Bearings 110 V | -20 10982070 | 109 | 1 | Gear Wheel 1 | -16 969018 |
| 10 | 1 | Field compl. 230 V | -16 969002 | | 1 | Gear Wheel 1 | -20 10983230 |
| | 1 | Field compl. 110 V | -16 10978949 | 110 | 1 | Gear Wheel 3 | -16 969019 |
| | 1 | Field compl. 230 V | -20 10982292 | | 1 | Gear Wheel 3 | -20 10983231 |
| | 1 | Field compl. 110 V | -20 10982071 | 111 | 1 | Slide Gear Wheel | -16 969020 |
| 13 | 1 | Electronic Case (only 230 V) | 969010 | | 1 | Slide Gear Wheel | -20 10983232 |
| 14 | 2 | Fieldscrew Insulating Sleeve | 969005 | 112 | 2 | Brake Disk | 969021 |
| 15 | 1 | Brush Holder Disc | 969006 | 113 | 1 | Pressure Disk | 969022 |
| 16 | 1 | Air Conducting Disk | 969007 | 114 | 2 | Protective Sleeve | 969023 |
| 18 | 1 | Terminal Case Packing | 963574 | 115 | 1 | Geka coupling | 963588 |
| 23 | 1 | Terminal Case | -16S 969031 | | 1 | Geka hose nipple | 976445 |
| 24 | 1 | Terminal Case Cover | -16S 969032 | | 1 | Hose clamp | 973591 |
| 25 | 2 | Carbon Brush 230 V | 969008 | 116 | 1 | Handle | -16N 968991 |
| | 2 | Carbon Brush 110 V | 10978983 | 118 | 1 | Ball Bearing | 629 968950 |
| 26 | 1 | Cooling Profile (only 230 V) | 969011 | 119 | 1 | Ball Bearing | 6005 2RS 968946 |
| 28 | 1 | Ball Bearing | 968943 | 120 | 2 | Needle Bush | HK1010 968952 |
| 29 | 1 | Ball Bearing | 968942 | 123 | 1 | O-Ring | RDR78x2 968941 |
| 30 | 1 | Compensation Washer | 968908 | 124 | 1 | O-Ring | RDR20x3 968940 |
| 32 | 1 | O-Ring | RDR26x2,5 968928 | 127 | 2 | Rotary Shaft Seal | AD24x40x7 968933 |
| 34 | 1 | Rotary Shaft Seal | 10980278 | 128 | 1 | Rotary Shaft Seal | AD22x35x7 968932 |
| 36 | 2 | Thread Roll. Head Screw | M4x6 968880 | 130 | 1 | Ball Valve with Grip | G1/4"a 968960 |
| 37 | 4 | Hex. Soc. Head Screw | M5x35 968884 | | 1 | Grip | |
| 38 | 4 | Hex. Soc. Head Screw | M5x25 -16N 968876 | 131 | 1 | Douple Nipple | G1/4"a 968961 |
| 39 | 2 | Fill. Head Screw | M4x100 968875 | 132 | 3 | Sealing Ring | G1/4 968962 |
| 40 | 2 | Fill. Head Screw | M3x5 968871 | 134 | 1 | Disk Spring | 968920 |
| 41 | 1 | C.R. Counters. H. Screw | M5x16 -16S 968878 | 135 | 1 | Pressures Spring | 0,5x3,2x16 968922 |
| 42 | 1 | Sl. Pan Head Screw | M4x6 967126 | 137 | 1 | Ball | RB-4 968899 |
| 43 | 2 | Pan Head Tapping Screw | -16N 968884 | 140 | 1 | Parallel Key | A5x5x40 968912 |
| 44 | 2 | Pan Head Tapping Screw | -16N 968883 | 141 | 1 | Parallel Pin | 5m6x15 968904 |
| 47 | 2 | Raised Head Screw | M5x50 -16S 968877 | 142 | 1 | Parallel Pin | 4m6x10 968903 |
| 48 | 2 | Hexagon Nut | M4 968886 | 143 | 1 | Parallel Pin | 3m6x16 968902 |
| 49 | 4 | Round Head grooved Pin | 2,3x4 968901 | 145 | 1 | Shim Ring | PS10x16x1 968895 |
| 52 | 4 | Locking Washer | SM5 968891 | 146 | 1 | Supporting Ring | 969014 |
| 54 | 3 | Curved Spring Washer | A4 967128 | 147 | 1 | Shim Ring | PS25x40x0,3 968898 |
| 55 | 1 | Medium Washer | 4,3 967129 | 148 | 1 | Retaining Ring | AV14 968915 |
| 56 | 2 | Medium Washer | 3,2 968890 | 149 | 1 | Retaining Ring | SW18 968918 |
| 57 | 2 | Medium Washer | 4,3x9x1 10980311 | 150 | 1 | Retaining Ring | 25x1,2 968917 |
| 58 | 1 | Int. Suppr. Capacitor | 969009 | 151 | 1 | Retaining Ring | 47x1,75 968907 |
| 60 | 1 | Cord 3G1,5x1,5 | (for PRCD) 10979614 | 153 | 1 | Hexagon Nut | BM12x1,5 968888 |
| 61 | 1 | Cord 3G1,5x2,3 | (for PRCD) 10979615 | 155 | 1 | Hex. Soc. Head Screw | M5x80 968867 |
| | 1 | Cord 3G1,5x3,8 (AWG16) | CEE plug 968986 | 156 | 3 | Hex. Soc. Head Screw | M5x50 968866 |
| | 1 | Cord 3AWG14x4 | for USA 10979690 | 157 | 1 | Hex. Soc. Head Screw | M5x12 968863 |
| 62 | 1 | Cord Sleeve | -16N 968981 | 158 | 1 | Wing Screw | M6x40 -16N 968881 |
| 63 | 1 | Cord Gland | -16S 968990 | 160 | 5 | Locking Washer | SM5 968891 |
| 64 | 1 | Cord Clamping Piece | -16N 968989 | 162 | 1 | Medium Washer | A 6 -16N 968894 |
| 65 | 1 | Motor Switch | -16N 968972 | | 1 | Gear Oil | 160 ml 968992 |
| 66 | 1 | Motor Switch 230 V | -16S 968971 | | 1 | Carrying Case | -16N 964279 |
| | 1 | Motor Switch 110 V | -16S 10979715 | | | | |
| 67 | 1 | Motor Protective Switch 110 V | -16N 969889 | | | | |
| 70 | 1 | Tube Water-Level | 968968 | | | | |
| 71 | 1 | Tin Water-Level | 698967 | | | | |
| 73 | 1 | Fan | 969036 | | | | |
| 80 | 1 | Mains Plug | 16 A 968975 | | | | |
| | 1 | Mains Plug 230 V | CEE-16A-1h 968973 | | | | |
| | 1 | Pointing Sticker | 969071 | | | | |
| 85 | 1 | PRCD Inline Protector | 10mA 230V 968979 | | | | |
| | 1 | PRCD Inline Protector | 10mA 110V 999859 | | | | |

Please specify in case of spare part orders:
Machine No., Quantity, Description, Part No. and for
electrical parts the voltage.

Tyrolit Hydrostress AG, Witzbergstrasse 18
CH 8330 Pfäffikon Switzerland
Telephone: +41 (0)1 9521818 · Telefax: +41(0)1 9521800
Internet: <http://www.tyrolit.com>
Email: tyrolit-ch@tyrolit.com

Getriebe DME20PU***

Gear DME20PU***



Ersatzteilliste - Diamant-Kernbohrmaschine Typ DME20PU*-Getriebe** E-DME20PU-get 220408

| POS | STCK | BENENNUNG | E.-TEILNR | POS | STCK | BENENNUNG | E.-TEILNR | |
|-----|------|---------------------------------------|-----------|-----|------|---------------------|------------|----------|
| 100 | 1 | Getriebegehäuse | 963575 | 172 | 2 | Dichtring | G1/4" | 968962 |
| 102 | 1 | Klemmring | 969029 | 173 | 1 | Dichtring | G3/4" | 961507 |
| 104 | 1 | Lagerhülse | 969024 | 174 | 1 | Schlauchkupplung | Ø32 | 963585 |
| 106 | 1 | Schaltgriff | 969013 | | 1 | Schlauchkupplung | Ø38 | 963586 |
| 108 | 1 | Schalthebel | 969051 | 176 | 1 | Gewindekupplung | G3/4" | 963587 |
| | 1 | Schalthebel | 965389 | 178 | 1 | Gewindekupplung | G1/4" | 963588 |
| 110 | 1 | Bohrspindel kpl. mit Pos. 126,180,182 | 963580 | 180 | 1 | Tellerfeder | | 968920 |
| 112 | 1 | Vorlegewelle | 969017 | 182 | 1 | Schraubendruckfeder | 0,5x3,2x16 | 968922 |
| | 1 | Vorlegewelle | 10983229 | 184 | 1 | Kugel | RB-4 | 968899 |
| 114 | 1 | Vorlegerad | 969030 | 186 | 1 | Passfeder | A5x5x40 | 968912 |
| 116 | 1 | Losrad 1 | 969018 | 188 | 1 | Zylinderstift | 5m6x15 | 968904 |
| | 1 | Losrad 1 | 10983230 | 190 | 1 | Zylinderstift | 4m6x10 | 968903 |
| 118 | 1 | Losrad 3 | 969018 | 192 | 1 | Zylinderstift | 3m6x16 | 968902 |
| | 1 | Losrad 3 | 10983231 | 194 | 1 | Passscheibe | PS10x16x1 | 968895 |
| 120 | 1 | Schieberad | 969020 | 196 | 1 | Sicherungsring | AV14 | 968915 |
| | 1 | Schieberad | 10983232 | 198 | 1 | Sprengring | SW18 | 968918 |
| 122 | 2 | Bremsscheibe | 969021 | 200 | 1 | Sicherungsring | 28x1,5 | 963589 |
| 124 | 1 | Druckscheibe | 969022 | 202 | 1 | Sicherungsring | 47x1,75 | 968907 |
| 126 | 2 | Wellenschutzhülse | 969023 | 204 | 1 | Sicherungsring | 52x2 | 10979620 |
| 128 | 1 | Schutzscheibe L | 963578 | 206 | 1 | Sechskantmutter | BM12x1,5 | 968888 |
| 130 | 1 | Schutzscheibe R | 963579 | 208 | 1 | Innensechskantschr. | M5x80 | 968867 |
| 132 | 1 | Schutzhülse | 963580 | 210 | 3 | Innensechskantschr. | M5x50 | 968866 |
| 136 | 1 | Außengewindetülle 1/4" | 973544 | 212 | 1 | Innensechskantschr. | M5x12 | 968863 |
| | 1 | Schlauchbride | 973591 | 214 | 1 | Flügelschraube | M6x40 | 968881 |
| 138 | 1 | Haltegriff | 968991 | 216 | 5 | Sicherungsscheibe | SM5 | 968891 |
| 150 | 1 | Rillenkugellager | 629 | 218 | 1 | U - Scheibe | A 6,4 | 968894 |
| 152 | 1 | Rillenkugellager | 60/28 2RS | | 1 | Getriebeöl | 160 ml | 968992 |
| 154 | 2 | Nadelhülse | HK1010 | | | | | |
| 156 | 1 | O-Ring | RDR78x2 | 230 | 1 | Adapterhülse | | 963591 |
| 158 | 1 | O-Ring | RDR20x3 | 250 | 1 | AF-Element | AE35 | 963339 |
| 164 | 2 | Wellendichtring | 28x47x7 | 262 | 2 | O-Ring | 32x1,5 | 963592 |
| 166 | 1 | Wellendichtring | 22x35x7 | | 1 | Transportkoffer | | 964279 |
| 168 | 1 | Kugelhahn mit Knebelgriff | G1/4" | | | | | |
| | 1 | Knebelgriff m. Schraube | | | | | | |
| 170 | 1 | Doppelgewindenippel | G3/4" | | | | | |

Parts List - Diamond Core Drill Type DME20PU* - Gear** EE-DME20PU-get 220408

| FIG NO | DESCRIPTION | PART NO | FIG NO | DESCRIPTION | PART NO | | | |
|--------|-------------|---|-----------|-------------|---------|-----------------------|------------|----------|
| 100 | 1 | Gear Box | 969012 | 172 | 2 | Sealing Ring | G1/4" | 968962 |
| 102 | 1 | Clamp Ring | 969029 | 173 | 1 | Sealing Ring | G3/4" | 961507 |
| 104 | 1 | Bearing Socket | 969024 | 174 | 1 | Hose Coupling | Ø32 | 963585 |
| 106 | 1 | Gear Change Grip | 969013 | | 1 | Hose Coupling | Ø38 | 963586 |
| 108 | 1 | Gear Change Lever | 969051 | 176 | 1 | Thread Coupling | G3/4" | 963587 |
| | 1 | Gear Change Lever | 965389 | 178 | 1 | Thread Coupling | G1/4" | 963588 |
| 110 | 1 | Drilling Spindle cpl. w. Pos. 126,180,182 | 963580 | 180 | 1 | Disk Spring | | 968920 |
| 112 | 1 | Pinion Shaft | 969017 | 182 | 1 | Pressures Spring | 0,5x3,2x16 | 968922 |
| | 1 | Pinion Shaft | 10983229 | 184 | 1 | Ball | RB-4 | 968899 |
| 114 | 1 | Clutch Wheel | 969030 | 186 | 1 | Parallel Key | A5x5x40 | 968912 |
| 116 | 1 | Gear Wheel 1 | 969018 | 188 | 1 | Parallel Pin | 5m6x15 | 968904 |
| | 1 | Gear Wheel 1 | 10983230 | 190 | 1 | Parallel Pin | 4m6x10 | 968903 |
| 118 | 1 | Gear Wheel 3 | 969018 | 192 | 1 | Parallel Pin | 3m6x16 | 968902 |
| | 1 | Gear Wheel 3 | 10983231 | 194 | 1 | Shim Ring | PS10x16x1 | 968895 |
| 120 | 1 | Slide Gear Wheel | 969020 | 196 | 1 | Retaining Ring | AV14 | 968915 |
| | 1 | Slide Gear Wheel | 10983232 | 198 | 1 | Retaining Ring | SW18 | 968918 |
| 122 | 2 | Brake Disk | 969021 | 200 | 1 | Retaining Ring | 28x1,5 | 963589 |
| 124 | 1 | Pressure Disk | 969022 | 202 | 1 | Retaining Ring | 47x1,75 | 968907 |
| 126 | 2 | Protective Sleeve | 969023 | 204 | 1 | Retaining Ring | 52x2 | 10979620 |
| 128 | 1 | Protective Disc L | 963578 | 206 | 1 | Hexagon Nut | BM12x1,5 | 968888 |
| 130 | 1 | Protective Disc R | 963579 | 208 | 1 | Hex. Soc. Head Screw | M5x80 | 968867 |
| 132 | 1 | Protective Bush | 963580 | 210 | 3 | Hex. Soc. Head Screw | M5x50 | 968866 |
| 136 | 1 | Outside thread bush 1/4" | 973544 | 212 | 1 | Hex. Soc. Head Screw | M5x12 | 968863 |
| | 1 | Hose clamp | 973591 | 214 | 1 | Wing Screw | M6x40 | 968881 |
| 138 | 1 | Handle | 968991 | 216 | 5 | Locking Washer | SM5 | 968891 |
| 150 | 1 | Ball Bearing | 629 | 218 | 1 | Medium Washer | A 6 | 968894 |
| 152 | 1 | Ball Bearing | 60/28 2RS | | 1 | Gear Oil | 160 ml | 968992 |
| 154 | 2 | Needle Bush | HK1010 | | | | | |
| 156 | 1 | O-Ring | RDR78x2 | 230 | 1 | Adapter Sleeve | | 963591 |
| 158 | 1 | O-Ring | RDR20x3 | 250 | 1 | Antifricition-Element | AE35 | 963339 |
| 164 | 2 | Rotary Shaft Seal | 28x47x7 | 262 | 2 | O-Ring | RDR32x1,5 | 963592 |
| 166 | 1 | Rotary Shaft Seal | AD22x35x7 | | 1 | Carrying Case | | 964279 |
| 168 | 1 | Ball Valve with Grip | G1/4"/i | | | | | |
| | 1 | Grip | | | | | | |
| 170 | 1 | Douple Nipple | G3/4" | | | | | |

Herstelleradresse:

TYROLIT Hydrostress AG

Witzbergstrasse 18

CH-8330 Pfäffikon

Switzerland

Tel. +41 44 952 18 18

Fax +41 44 952 18 00

e-mail: info@tyrolit.com

www.tyrolit.com

Die TYROLIT Hydrostress AG behält sich vor, technische Änderungen ohne vorherige Anzeige durchzuführen.

Copyright © 2003 TYROLIT Hydrostress AG, CH-8330 Pfäffikon ZH

Alle Rechte, insbesondere das Recht der Vervielfältigung und Übersetzung sind vorbehalten.

Der Nachdruck dieser Betriebsanleitung, auch auszugsweise, ist verboten. Ohne schriftliche Bewilligung von TYROLIT Hydrostress AG dürfen keine Teile davon in irgendeiner Form reproduziert oder unter Verwendung elektronischer Systeme verarbeitet, vervielfältigt oder verbreitet werden.