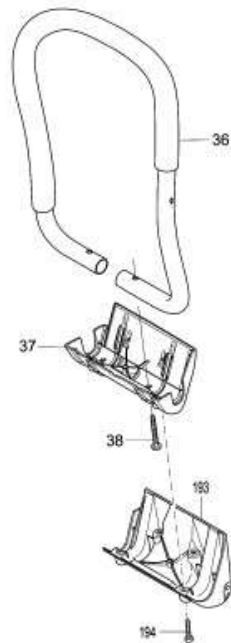
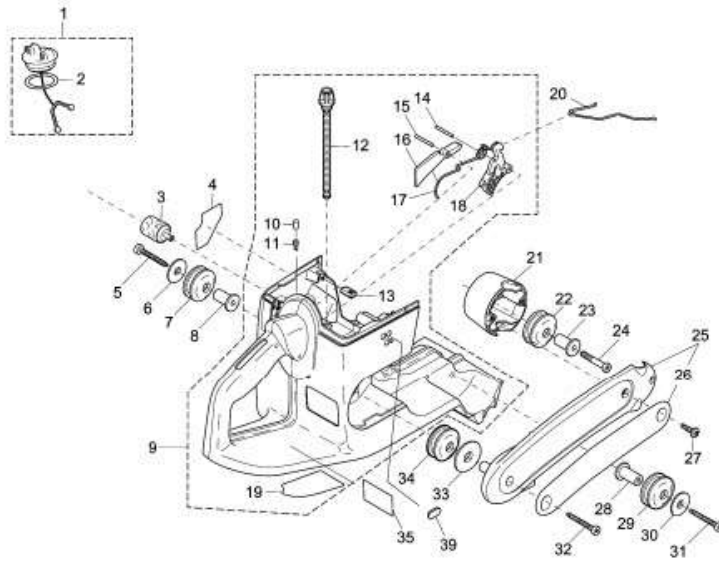
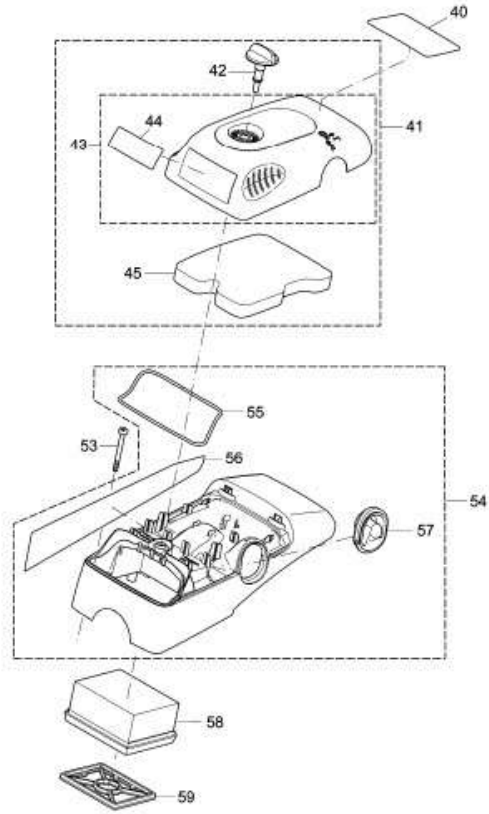


Part Diagram

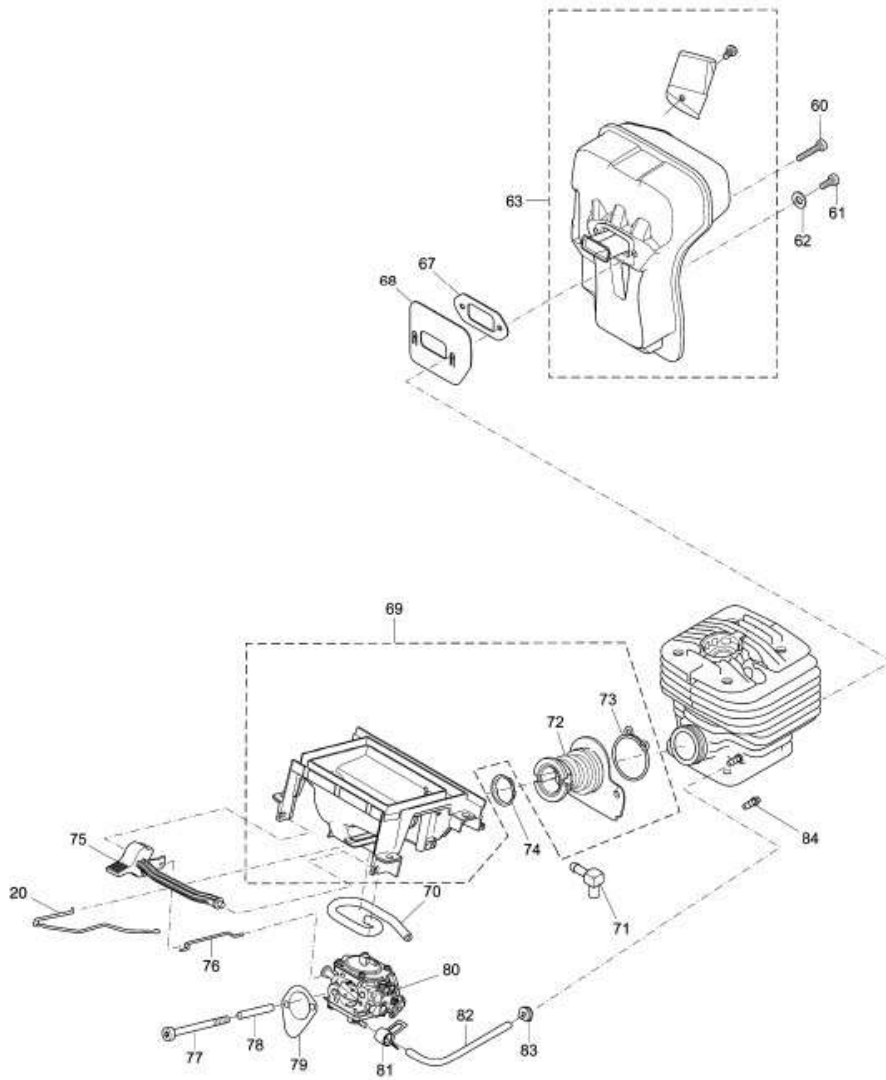
Model No.EK8100 POWER CUTTER



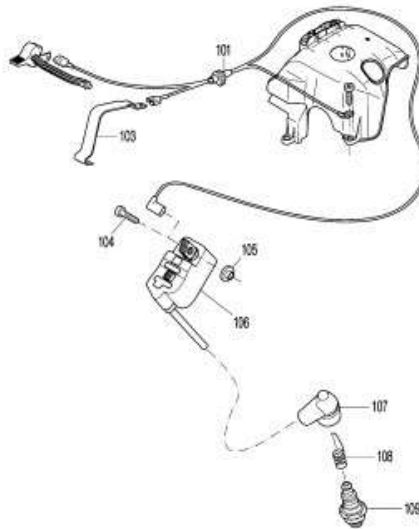
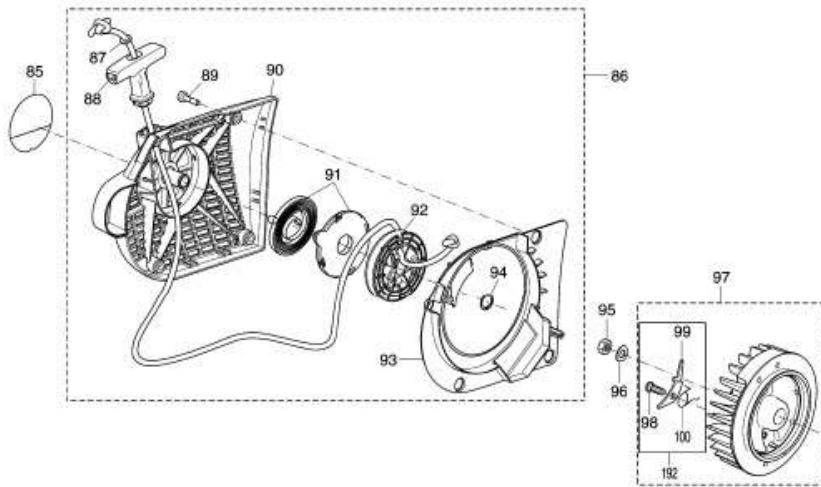
Model No.EK8100 POWER CUTTER



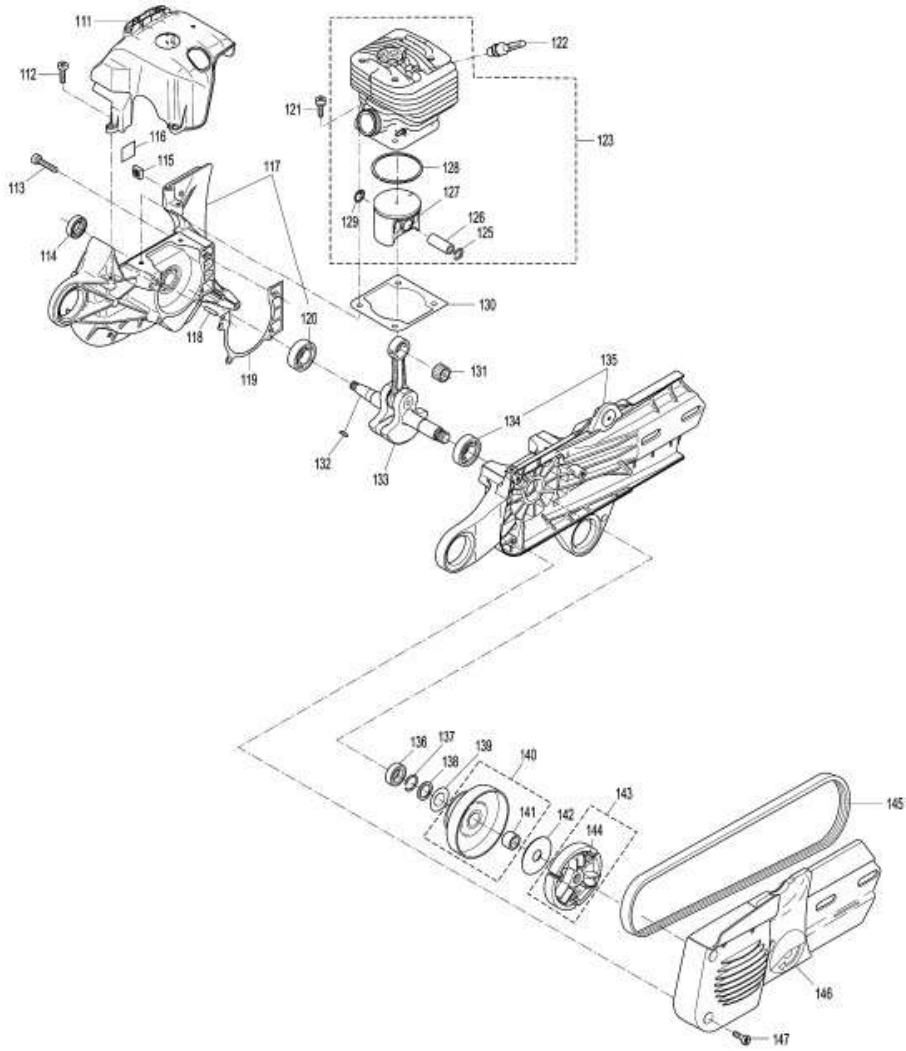
Model No.EK8100 POWER CUTTER



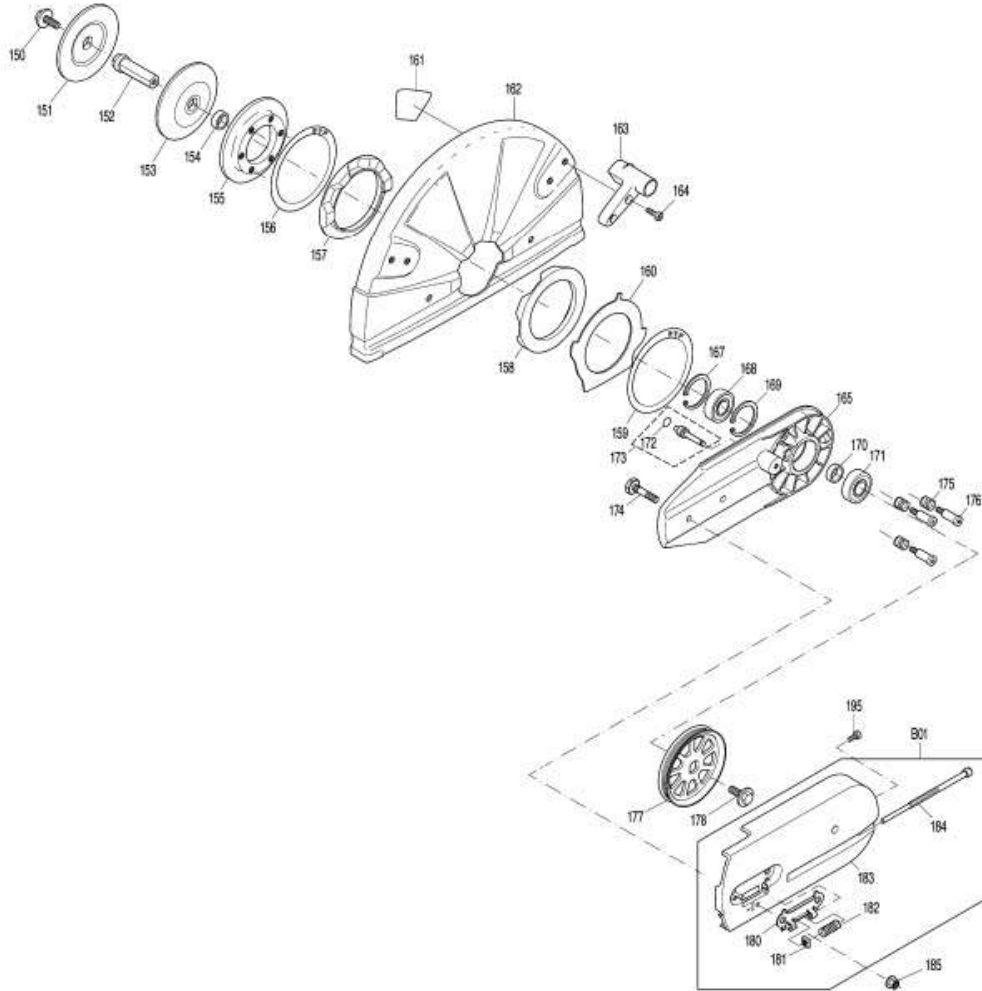
Model No.EK8100 POWER CUTTER



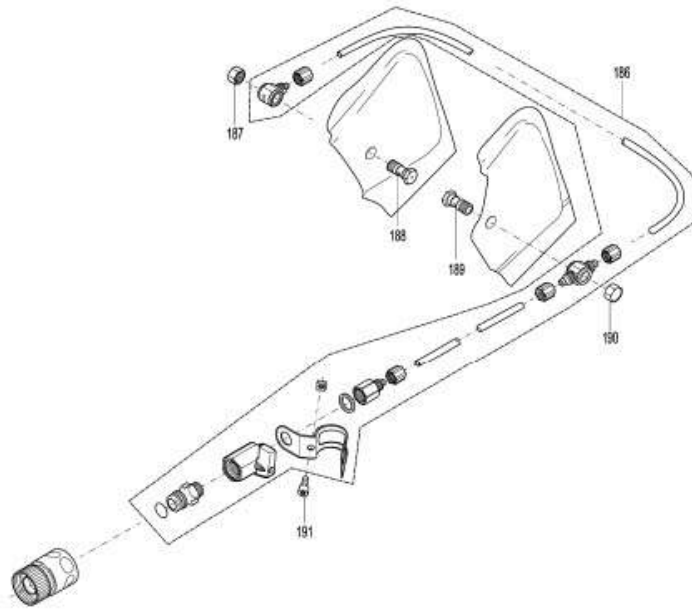
Model No.EK8100 POWER CUTTER



Model No.EK8100 POWER CUTTER



Model No.EK8100 POWER CUTTER



Item	Sub	Parts No.	Parts Description	Qty
1		168507-3	TANK CAP COMPLETE	1
1	D10		INC. 2	
2		213080-9	O RING 29.5	1
3		163499-1	SUCTION HEAD	1
5		266687-0	TAPPING SCREW 5.5X45	1
6		346870-6	WASHER 5.8X26X2	1
7		424695-9	VIBRATION DAMPER	1
8		319268-0	AXLE FOR VIBRATION DAMPER	1
9		123321-4	FUEL TANK CPL. BLUE	1
9	D10		INC. 10-19	
009-1		140Y29-5	FUEL TANK CPL. BLUE	1
009-1	D10		INC. 10-19	
10		422063-0	SINTER INSERT	1
11		424170-5	VALVE	1
011-1		195762-4	AIR VALVE SET	1
12		424723-0	FUEL LINE	1
13		252897-5	SCREW PLUG	4
14		268335-7	PIN 3	1
15		268233-5	PIN 3	1
16		455821-9	SAFETY LEVER	1
17		233626-5	SPRING	1
18		455820-1	THROTTLE LEVER	1
19		806J47-0	INDICATION LABEL	1
20		326497-8	THROTTLE LINKAGE	1
21		455806-5	RETAINER FOR DAMPER BLACK	1
22		424695-9	VIBRATION DAMPER	1
23		319268-0	AXLE FOR VIBRATION DAMPER	1
24		266943-8	H.L. SOCKET HEAD BOLT M5X40	1
25		143211-5	SIDE SUPPORT MAKITA	1
25	D10		INC. 26	
26		806J44-6	MAKITA LOGO LABEL	1
27		266475-5	H.L.TAPPING SCREW 5.5X20	2
28		319268-0	AXLE FOR VIBRATION DAMPER	1
29		424695-9	VIBRATION DAMPER	1
30		346870-6	WASHER 5.8X26X2	1
31		266687-0	TAPPING SCREW 5.5X45	1
32		266687-0	TAPPING SCREW 5.5X45	1
33		346871-4	WASHER	1
34		424695-9	VIBRATION DAMPER	1
35		852C52-3	EK8100 NAME PLATE	1
36		143097-7	WRAP AROUND HANDLE CPL	1
37		319270-3	FOOT, MACHINED	1
38		266687-0	TAPPING SCREW 5.5X45	2
39		424709-4	ADJUST GUIDE	1
41		123309-4	COVER CPL. BLACK PRE-FILTER	1
41	D10		INC. 43,45	
041-1		127087-8	FILTER COVER ASSEMBLY	1
041-1	D10		INC. 43,45	
42		266692-7	THUMB SCREW M6X15	1
43		123312-5	FILTER COVER COMPLETE	1
43	D10		INC. 42,44	
044-1		807L79-2	CAUTION LABEL	1
45		424700-2	PRE-FILTER	1
53		266941-2	H.L. SOCKET HEAD BOLT M5X50	4
54		123308-6	HOOD CPL. BLACK	1
54	D10		INC. 55-57	
55		424697-5	PACKING RING	1
56		806J50-1	CAUTION LABEL	1
57		424703-6	DEKO COVER	1

Item	Sub	Parts No.	Parts Description	Qty
58		424701-0	AIR FILTER	1
59		424705-2	INNER FILTER	1
60		266960-8	H.L. SOCKET HEAD BOLT M5X20	2
61		266946-2	H.L. SOCKET HEAD BOLT M5X12	1
62		267821-5	SPRING WASHER 5	1
63		161338-9	MUFFLER CPL.	1
67		346876-4	MUFFLER GASKET	1
68		346868-3	COOLING PLATE	1
69		123310-9	INTAKE MANIFOLD CPL.	1
69	D10		INC. 70,72,73	
69	D11		INC. 72,73	
70		424699-1	TUBE BLACK RED	1
71		161311-9	ANGULAR NIPPLE	1
72		424708-6	INTAKE HOSE	1
73		233625-7	SPRING CLAMP	1
74		346867-5	GUIDE RING	1
75		455808-1	CHOKE SHAFT	1
76		326496-0	CHOKE LINKAGE	1
77		266944-6	H.L. SOCKET HEAD BOLT M4X55	2
78		424710-9	INSULATION TUBE	2
79		346874-8	GASKET	1
80		161312-7	CARBURETOR	1
81		324616-0	HOSE CLAMP	1
82		424698-3	TUBE 3-120	1
83		424696-7	RUBBER GROMMET	1
85		806K78-5	MAKITA LOGO LABEL	1
86		123357-3	STARTING DEVICE CPL. BLUE	1
86	D10		INC. 87-94	
86	D11		INC. 87-94,202	
87		267862-1	SPRING WASHER 5	1
88		452458-3	STARTER GRIP	1
89		266938-1	H.L. SOCKET HEAD BOLT M5X20	4
90		123315-9	STARTER HOUSING BLUE	1
91		140587-1	REWIND SPRING COMPLETE	1
92		143098-5	CABLE DRUM COMPLETE	1
93		455805-7	AIR GUIDE PLATE	1
94		257997-6	RETAINING RING A14X1V	1
95		264107-8	HEXAGONAL NUT M8	1
96		267822-3	SPRING WASHER 8	1
97		123306-0	FLYWHEEL D=120 CPL	1
97	D10		INC. 98-100	
98		326500-5	BEARING BOLT	2
098-1		327728-8	BEARING BOLT	2
99		346865-9	STARTER-RATCHET	2
100		233535-8	TORSION SPRING 13	2
101		632E41-4	CABLE WITH PLUG	1
103		346869-1	CONTACT SPRING	1
104		266942-0	H.L. SOCKET HEAD BOLT M5X20	2
105		451462-9	ISOLATING WASHER	2
106		161310-1	IGNITION COIL CDIM 120-15	1
107		424706-0	PLUG CAP	1
108		234358-7	TERMINAL SPRING	1
109		168517-0	SPARK PLUG	1
111		455819-6	HOOD	1
112		266940-4	H.L. SOCKET HEAD BOLT M5X15	3
113		266945-4	H.L. SOCKET HEAD BOLT M5X30	5
114		213814-0	RADIAL RING	1
115		264108-6	SQUARE NUT M5	1
116		424707-8	RUBBER SHEET	1
117		143226-2	CRANKCASE MS CPL.	1

Item	Sub	Parts No.	Parts Description	Qty
117	D10		INC. 120	
118		258038-1	CLAMPING PIN	2
119		346877-2	CRANK CASE GASKET	1
120		211154-0	BALL BEARING 6202	1
121		266473-9	H.L. SOCKET HEAD BOLT M5X23	4
121-1		266473-9	H.L. SOCKET HEAD BOLT M5X23	4
122		455804-9	DECOMPRESSION VALVE	1
123-1		135794-9	CYLINDER ASS'Y	1
123-1	D10		INC. 125-129	
125		234359-5	CIRCLIP 12	1
126		257841-7	PISTON PIN	1
127		319282-6	PISTON 52	1
127-1		198667-7	PISTON SET	1
127-1	D10		INC. 125,126,128,129	
128		257381-5	PISTON RING 52	1
129		234359-5	CIRCLIP 12	1
130		346873-0	GASKET	1
131		212133-1	PISTON PIN BEARING 12X16X13	1
132		254042-8	WOODRUFF-KEY 3X3,7	1
133		143109-6	CRANKSHAFT CPL.	1
134		211154-0	BALL BEARING 6202	1
135		143225-4	CRANKCASE CS CPL	1
135	D10		INC. 134	
136		213814-0	RADIAL RING	1
137		234366-8	SNAP RING A 16	1
138		346872-2	STOP RING	1
139		346866-7	GUIDE DISK	1
140		161318-5	CLUTCH DRUM CPL.	1
140	D10		INC. 141	
141		212134-9	NEEDLE ROLLER BEARING 15X21X16	1
142		267389-1	FLAT WASHER 12	1
143		123305-2	CLUTCH, CPL	1
143	D10		INC. 144	
144		231892-8	TENSION SPRING	3
144-1		231896-0	TENSION SPRING	3
144-2		232352-3	TENSION SPRING 6	3
144-3		232352-3	TENSION SPRING 6	3
145		424711-7	V-BELT	1
146		455832-4	CLUTCH COVER	1
147		266947-0	H.L. SOCKET HEAD BOLT M5X14	3
150		266976-3	HEX. BOLT M8X25	1
151		224443-4	FLANGE 102	1
152		326503-9	AXLE	1
153		224443-4	FLANGE 102	1
154		257375-0	SPACER, 8MM	1
155		318746-7	PRESSURE RING	1
156		442169-8	SLIDING DISC	1
157		424426-6	RUBBER RING(INNER)	1
158		424427-4	RUBBER RING(OUTER)	1
159		442169-8	SLIDING DISC	1
160		346455-8	IMPACT PLATE	1
161-1		807B76-8	CAUTION LABEL	1
162-1		143794-5	HOOD COMPLETE	1
162-1	D10		INC. 161	
163		452938-9	GRIP	1
164		266725-8	H.L.SOCKET HEAD BOLT M5X16	2
164-1		265642-9	H.L.SOCKET HEAD BOLT M5X16	2
165		319289-2	CUTTING DEVICE	1
167		257998-4	RETAINING RING 40X1,75	1
168		211281-3	BALL BEARING 6203LLU	1

Item	Sub	Parts No.	Parts Description	Qty
169		257998-4	RETAINING RING 40X1,75	1
170		257375-0	SPACER, 8MM	1
171		211281-3	BALL BEARING 6203LLU	1
172		213625-3	O-RING 9	1
173		123307-8	STOP BOLT CPL.	1
173	D10		INC. 172	
174		266688-8	HEX. BOLT M8	2
175		234216-7	COMPRESSION SPRING 8	3
176		266689-6	H.L.COLLAR BOLT M6	3
177		222185-4	BELT PULLEY	1
178		266976-3	HEX. BOLT M8X25	1
180		346457-4	PLATE	1
181		264112-5	SQUARE NUT M6	1
182		234215-9	COMPRESSION SPRING 6	1
183		455831-6	BELT COVER	1
184		266691-9	TENSIONING SCREW M6	1
184-1		265644-5	TENSIONING SCREW M6	1
185		252145-2	COLLARED HEX NUT M8	2
186		123369-6	PARTS FOR WATER ATTCHMENT KIT	1
187		264109-4	CAPPING NUT	1
188		266949-6	HOLLOW SCREW, BORED	1
189		266949-6	HOLLOW SCREW, BORED	1
190		264109-4	CAPPING NUT	1
191		266950-1	H.L.SOCKET HEAD BOLT M6X14	1
192		183F34-5	STARTER-RATCHET SET	2
192	D10		INC. 98,99,100	
193		319294-9	FOOT	1
194		266605-8	H.L. SOCKET HEAD BOLT M5X16	4
195		266974-7	H.L. TAPPING SCREW 5 12	1
202		422655-5	STARTER ROPE	1
A01		197200-2	TOOL KIT	1
A01	C10	782025-3	TORX WRENCH	1
A01	C20	782028-7	UNIVERSAL WRENCH 13-19	1
A01	C30	783012-5	SCREWDRIVER	1
A01	C40	831340-3	TOOL BAG	1
A01-1		197200-2	TOOL KIT	1
A01-1	C10	782025-3	TORX WRENCH	1
A01-1	C20	782028-7	UNIVERSAL WRENCH 13-19	1
A01-1	C30	783012-5	SCREWDRIVER	1
A01-1	C40	831340-3	TOOL BAG	1
A02		123121-2	COUPLING SLEEVE	1
B01		135923-4	BELT COVER ASS'Y	1
B01	D10		INC. 180-184	
E01		809P12-4	CLEAR LABEL	1