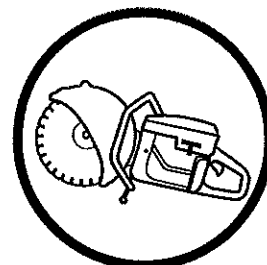


Operator's manual

K960



Please read the operator's manual carefully and make sure you understand the instructions before using the machine.

English

KEY TO SYMBOLS

Symbols on the machine:

WARNING! The machine can be a dangerous tool if used incorrectly or carelessly, which can cause serious or fatal injury to the operator or others.



Please read the operator's manual carefully and make sure you understand the instructions before using the machine.



Always wear:

- Protective helmet
- Hearing protection
- Protective goggles or a visor
- Breathing mask



This product is in accordance with applicable EC directives.



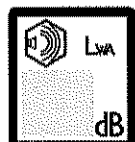
WARNING! Dust forms when cutting, this can cause injuries if inhaled. Use an approved breathing mask. Avoid inhaling petrol fumes and exhaust fumes. Always provide for good ventilation.



WARNING! Sparks from the cutting blade can cause fire in combustible materials such as: petrol (gas), wood, dry grass etc.



Noise emission to the environment according to the European Community's Directive. The machine's emission is specified in chapter Technical data and on label.



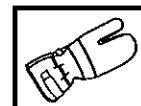
Other symbols/decals on the machine refer to special certification requirements for certain markets.

Symbols in the operator's manual:

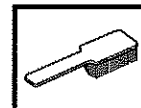
Switch off the engine by moving the stop switch to the STOP position before carrying out any checks or maintenance.



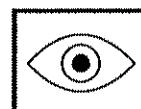
Always wear protective gloves.



Regular cleaning is required.



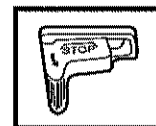
Visual check.



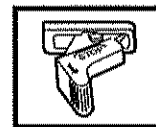
Protective goggles or a visor must be worn.



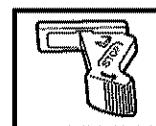
Run position.



Stop, with the return spring to the operating position.



Stop, in the fixed position.



CONTENTS

Contents

KEY TO SYMBOLS

Symbols on the machine:	2
Symbols in the operator's manual:	2

CONTENTS

Contents	3
----------------	---

WHAT IS WHAT?

What is what on the power cutter?	4
---	---

GENERAL SAFETY PRECAUTIONS

Steps before using a new power cutter.	5
---	---

SAFETY INSTRUCTIONS

Personal protective equipment	5
Machine's safety equipment	6
Checking, maintaining and servicing the machine's safety equipment	7
General safety precautions	8
General working instructions	9
Cutting blades	11

ASSEMBLY

Checking the drive axle and flange washers	13
Fitting the cutting blade	13
Guard for the blade	13

FUEL HANDLING

Fuel	14
Two-stroke oil	14
Fuelling	14

STARTING AND STOPPING

Starting and stopping	15
-----------------------------	----

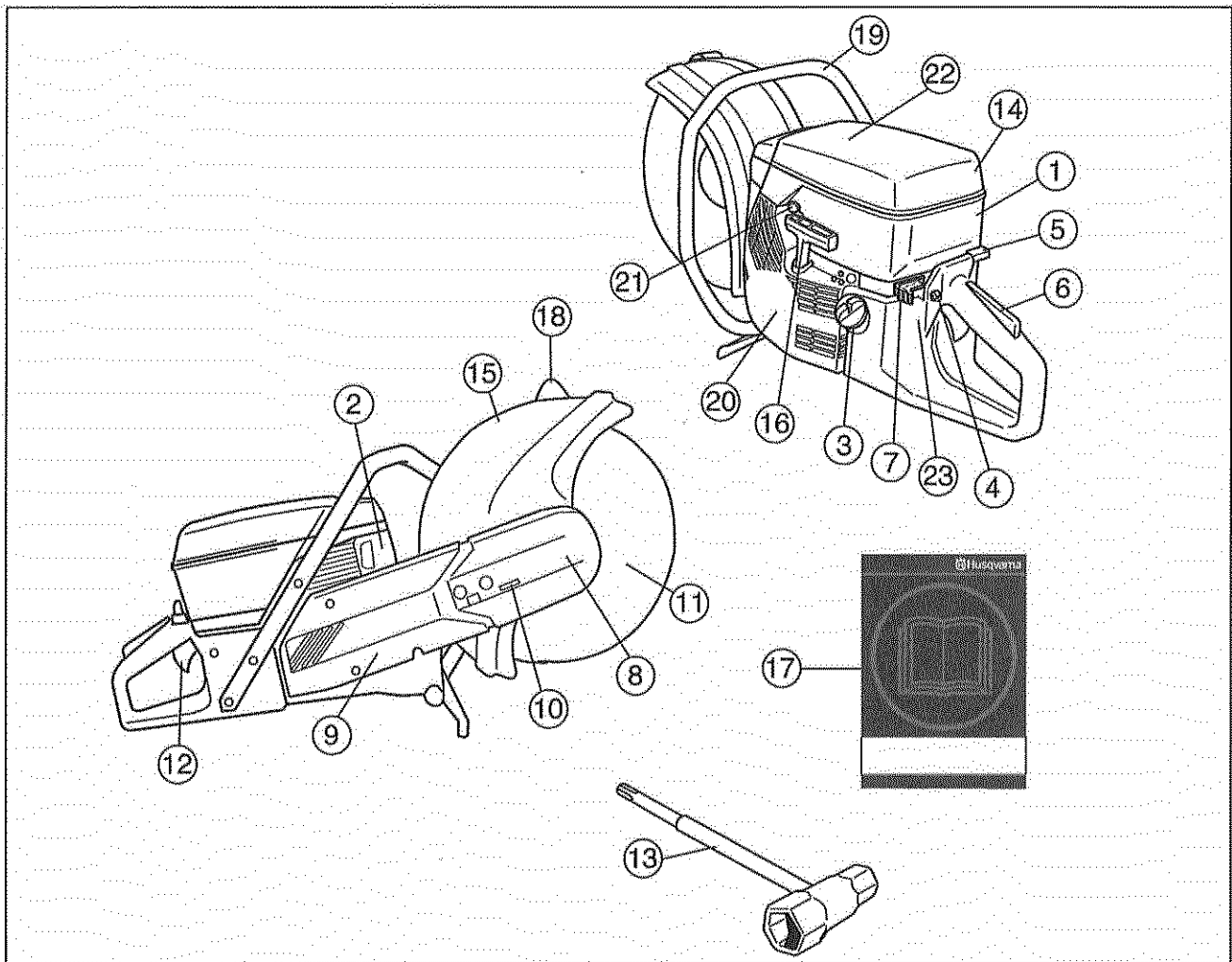
MAINTENANCE

Tensioning the drive belt	16
Replacing the drive belt	16
Belt pulley and clutch	16
Carburettor	16
Fuel filter	16
Air filter	17
Starter	17
Spark plug	19
Cooling system	19
Muffler	19
General maintenance instructions	20

TECHNICAL DATA

K960	21
Cutting equipment	21
EC-declaration of conformity	22

WHAT IS WHAT?



What is what on the power cutter?

- | | |
|-----------------------|--------------------------------------|
| 1 Cylinder cover | 13 Combination spanner |
| 2 Muffler | 14 Air filter cover |
| 3 Fuel tank | 15 Blade guard/spray guard |
| 4 Start throttle lock | 16 Starter handle |
| 5 Choke | 17 Operator's manual |
| 6 Throttle lockout | 18 Adjustment handle for blade guard |
| 7 Stop switch | 19 Front handle |
| 8 Cutting head | 20 Starter |
| 9 Cutting arm | 21 Decompression valve |
| 10 Belt tensioner | 22 Warning decal |
| 11 Cutting blade | 23 Rating plate |
| 12 Throttle control | |

GENERAL SAFETY PRECAUTIONS

Steps before using a new power cutter.

- Please read the operator's manual carefully.
- Check the assembly and adjustment of the cutting blade. See the instructions under the heading Assembling the cutting blade.
- Start the engine and check the idling setting, see instructions under the heading Maintenance. When the carburettor is set correctly the cutting blade should be still while idling. Setting of the idle speed is described under the heading Fine adjustment of the idle speed T. Set the correct speed according to these instructions. Do not use the power cutter if the idle speed is not adjusted correctly!
- Let your Husqvarna dealer regularly check the power cutter and make essential adjustments and repairs.



WARNING! Under no circumstances may the design of the machine be modified without the permission of the manufacturer. Always use genuine accessories. Non-authorized modifications and/or accessories can result in serious personal injury or the death of the operator or others.



WARNING! Use of products which cut, grind, drill, sand or shape material can generate dust and vapors which may contain harmful chemicals. Know the nature of the material being worked on and wear appropriate dust mask or respirator protection.



WARNING! A power cutter is a dangerous tool if used carelessly or incorrectly and can cause serious, even fatal injuries. It is extremely important that you read and understand the contents of this Operator's Manual.



WARNING! The ignition system of this machine produces an electromagnetic field during operation. This field may under some circumstances interfere with pacemakers. To reduce the risk of serious or fatal injury, we recommend persons with pacemakers to consult their physician and the pacemaker manufacturer before operating this machine.

Husqvarna Construction Products has a policy of continuous product development. Husqvarna reserves the right to modify the design and appearance of products without prior notice and without further obligation introduce design modifications.

All information and all data in the Operator's Manual were applicable at the time the Operator's Manual was sent to print.

Personal protective equipment

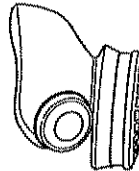


WARNING! You must use approved personal protective equipment whenever you use the machine. Personal protective equipment cannot eliminate the risk of injury but it will reduce the degree of injury if an accident does happen. Ask your dealer for help in choosing the right equipment.

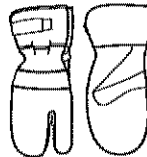
- Protective helmet
- Hearing protection
- Protective goggles or a visor



- Breathing mask



- Heavy-duty, firm grip gloves.



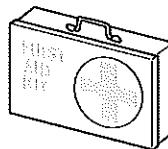
- Tight-fitting, heavy-duty and comfortable clothing that permits full freedom of movement.



- Use leg-guards recommended for the material to be cut.
- Boots with steel toe-caps and non-slip sole



- Always have a first aid kit nearby.



SAFETY INSTRUCTIONS

Machine's safety equipment

This section describes the machine's safety equipment, its purpose, and how checks and maintenance should be carried out to ensure that it operates correctly. See the "What is what?" section to locate where this equipment is positioned on your machine.



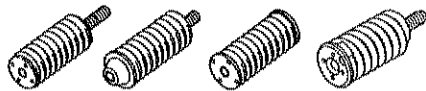
WARNING! Never use a machine that has faulty safety equipment! Carry out the inspection, maintenance and service routines listed in this section.

Vibration damping system

Your machine is equipped with a vibration damping system that is designed to minimize vibration and make operation easier.

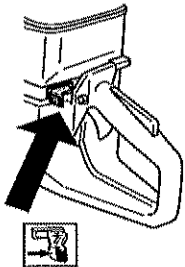
The machine's vibration damping system reduces the transfer of vibration between the engine unit/cutting equipment and the machine's handle unit.

The engine body, including the cutting equipment, is insulated from the handles by vibration damping units.



Stop switch

Use the stop switch to switch off the engine.

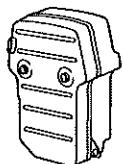


Muffler



WARNING! The muffler gets very hot in use and remains so for a short time afterwards. Do not touch the muffler if it is hot!

The muffler is designed to keep noise levels to a minimum and to direct exhaust fumes away from the user.



WARNING! The exhaust fumes from the engine are hot and may contain sparks which can start a fire. Never start the machine indoors or near combustible material!

IMPORTANT INFORMATION

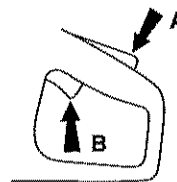
For mufflers it is very important that you follow the instructions on checking, maintaining and servicing your machine. See instructions under the heading Checking, maintaining and servicing the machine's safety equipment.



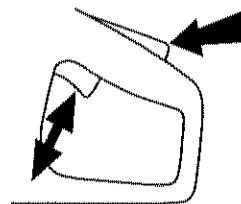
WARNING! The inside of the muffler contain chemicals that may be carcinogenic. Avoid contact with these elements in the event of a damaged muffler.

Throttle lockout

The throttle trigger lock is designed to prevent accidental operation of the throttle. When the lock (A) is pressed in this releases the throttle (B).



The trigger lock remains pressed in as long as the throttle is pressed. When the grip on the handle is released the throttle trigger and the throttle trigger lock both return to their original positions. This is controlled by two independent return spring systems. This means that the throttle trigger is automatically locked in the idle position.

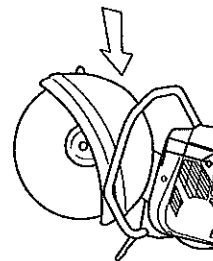


Guard for the blade



WARNING! Always check that the blade guard is fitted correctly before starting the machine.

This guard is fitted above the cutting blade and is designed to prevent parts of the blade or cutting fragments from being thrown towards the user.



SAFETY INSTRUCTIONS

Checking, maintaining and servicing the machine's safety equipment

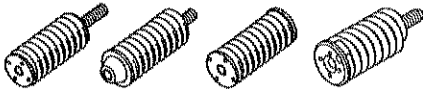


WARNING! All servicing and repair work on the machine requires special training. This is especially true of the machine's safety equipment. If your machine fails any of the checks described below you must contact your service agent. When you buy any of our products we guarantee the availability of professional repairs and service. If the retailer who sells your machine is not a servicing dealer, ask him for the address of your nearest service agent.

Vibration damping system



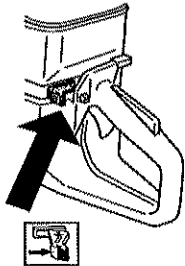
Regularly check the vibration damping units for cracks or deformation.



Make sure the vibration damping units are securely attached to the engine unit and handle unit.

Stop switch

Start the engine and make sure the engine stops when you move the stop switch to the stop setting.

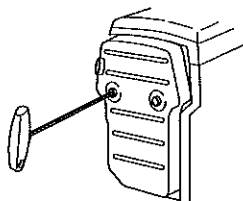


Muffler

Never use a machine that has a faulty muffler.

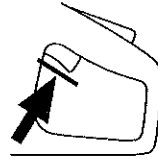


Regularly check that the muffler is securely attached to the machine.

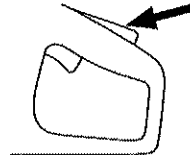


Throttle lockout

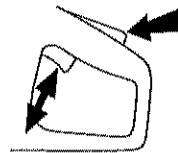
- Make sure the throttle control is locked at the idle setting when the throttle lockout is released.



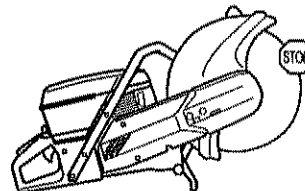
- Press the throttle lockout and make sure it returns to its original position when you release it.



- Check that the throttle control and throttle lockout move freely and that the return springs work properly.

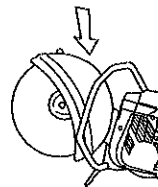


- Start the power cutter and apply full throttle. Release the throttle control and check that the cutting blade stops and remains stationary. If the cutting blade rotates when the throttle is in the idle position you should check the carburettor's idle adjustment. See instructions under the heading Maintenance.



Checking the blade guard

Never use a defective guard or a guard that has not been fitted correctly.



WARNING! Always check that the guard is correctly fitted before starting the machine. Check that the cutting blade is fitted correctly and does not show signs of damage. A damaged cutting blade can cause personal injury. See instructions under the heading Assembly.

Check that the guard is complete and without any cracks or deformations.

SAFETY INSTRUCTIONS

General safety precautions

- A power cutter is designed to cut hard materials, such as masonry. Observe the increased risk of kickback when cutting soft materials. See instructions under the heading How to avoid kickback.
- Do not use the power cutter until you have read the entire contents of this Operator's Manual. All servicing, in addition to the points listed in the section "Control, maintenance and service of the power cutter's safety equipment", should be carried out by trained service specialists.
- Never use the machine if you are tired, if you have drunk alcohol, or if you are taking medication that could affect your vision, your judgement or your co-ordination.
- Wear personal protective equipment. See instructions under the heading Personal protective equipment.
- Never use a machine that has been modified in any way from its original specification.
- Never use a machine that is faulty. Carry out the checks, maintenance and service instructions described in this manual. Some maintenance and service measures must be carried out by trained and qualified specialists. See instructions under the heading Maintenance.
- Never allow anyone else to use the machine without first ensuring that they have understood the contents of the operator's manual.
- Never use the machine indoors. Be aware of the dangers of inhaling the engine's exhaust fumes.

Transport and storage

Do not store or transport the power cutter with the cutting blade fitted.

Store the power cutter in a lockable area so that it is out of reach of children and unauthorised persons.

All blades should be removed from the cutter after use and stored carefully. Store cutting blades in dry, frost free conditions.

Special care should be taken with abrasive discs. Abrasive discs must be stored on a flat, level surface. If blades are supplied with a backing pad then a spacer should be used to keep them flat. If an abrasive disc is stored in humid conditions, this can cause imbalance and result in injury.

Inspect new blades for transport or storage damage.

Fuel safety

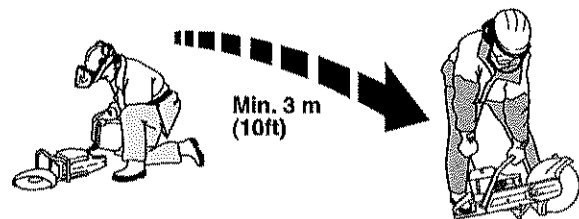


(Refuelling/Fuel mixture/Storage.)



WARNING! Take care when handling fuel. Bear in mind the risk of fire, explosion and inhaling fumes.

- Never refuel the machine while the engine is running.
- Make sure there is plenty of ventilation when refuelling or mixing fuel (petrol and 2-stroke oil).
- Move the machine at least 3 m from the refuelling point before starting it.



- Never start the machine:
 - If you have spilt fuel on it. Wipe off the spillage and allow remaining fuel to evaporate.
 - If you have spilt fuel on yourself or your clothes, change your clothes. Wash any part of your body that has come in contact with fuel. Use soap and water.
 - If the machine is leaking fuel. Check regularly for leaks from the fuel cap and fuel lines.
- Store and transport the machine and fuel so that there is no risk of any leakage or fumes coming into contact with sparks or naked flames, for example, from electrical machinery, electric motors, electrical relays/switches or boilers.
- Always store fuel in an approved container designed for that purpose.
- When storing the machine for long periods the fuel tank must be emptied. Contact your local petrol station to find out where to dispose of excess fuel.
- Always use a Husqvarna fuel container with an anti-spill valve.



WARNING! Bear in mind the risk of fire, explosion and inhaling fumes. Stop the engine before fuelling. Do not fill so that the fuel runs over. Wipe up all spillage on the ground and machine. If you spill fuel on yourself or your clothes. Change your clothes. Move the machine at least 3 metres away from the refuelling area before starting.

SAFETY INSTRUCTIONS

General working instructions



WARNING! This section describes basic safety directions for using a power cutter. This information is never a substitute for professional skills and experience. If you get into a situation where you feel unsafe, stop and seek expert advice. Contact your dealer, service agent or an experienced power cutter user. Do not attempt any task that you feel unsure of!

Basic safety rules

- Look around you:
 - To ensure that people, animals or other things cannot affect your control of the machine.
 - To make sure that none of the above come into contact with the cutting blade.
- Do not use the machine in bad weather, such as dense fog, rain, strong wind, intense cold, etc. Working in bad weather is tiring and can lead to dangerous conditions, e.g. slippery surfaces.
- Never start to work with the power cutter before the working area is clear and you have a firm foothold. Look out for any obstacles with unexpected movement. Ensure when cutting that no material can become loose and fall, causing operating injury. Take great care when working on sloping ground.
- Make sure that no clothes or parts of the body come in contact with the cutting equipment when it is rotating.
- Keep at a safe distance from the cutting equipment when it is rotating.
- The guard for the cutting equipment must always be on when the machine is running.
- Ensure that the working area is sufficiently illuminated to create a safe working environment.
- Do not move the machine when the cutting equipment is rotating.
- Always ensure you have a safe and stable working position.
- Make sure that no pipes or electrical cables are routed in the area to be cut.



Only use the machine in areas with good ventilation. Neglect can result in serious injury or death.

Cutting



WARNING! The safety distance for the power cutter is 15 metres. You are responsible to ensure that animals and onlookers are not within the working area. Do not start cutting until the working area is clear and you are standing firmly.

General

- Start cutting with the machine running at maximum speed.
- Always hold the machine in a firm grip with both hands. Hold it so that the thumbs and fingers grip round the handles.

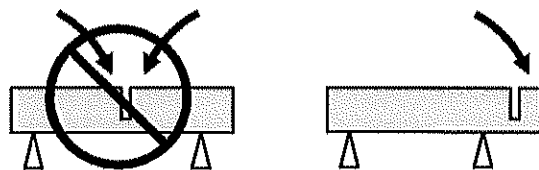


WARNING! Overexposure to vibration can lead to circulatory damage or nerve damage in people who have impaired circulation. Contact your doctor if you experience symptoms of overexposure to vibration. Such symptoms include numbness, loss of feeling, tingling, pricking, pain, loss of strength, changes in skin colour or condition. These symptoms normally appear in the fingers, hands or wrists. The risk increases at low temperatures.

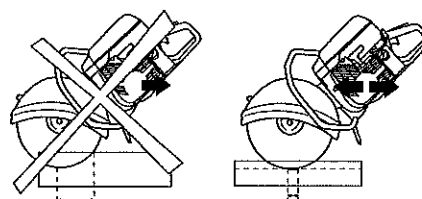
Cutting technique

The technique described below is of a general character. Check information for each blade regarding individual cutting characteristics (for example, a diamond blades requires less feeding pressure than an abrasive discs).

- Support the work piece in such a way that it is possible to predict what will happen, and so that the cut remains open while cutting.

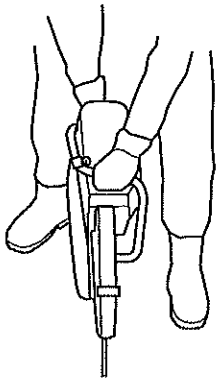


- Check that the blade is not in contact with anything when the machine is started
- Always cut at maximum speed.
- Start cutting smoothly, allowing the machine to work without forcing or pressing in the blade.
- Move the blade slowly forwards and backwards to achieve a small contact area between the blade and the material to be cut. This reduces the temperature of the blade and ensures effective cutting.

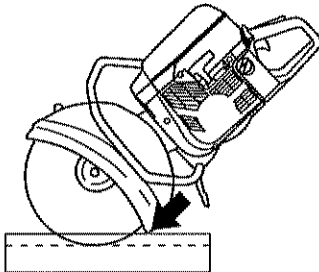


SAFETY INSTRUCTIONS

- Feed down the machine in line with the blade. Pressure from the side can damage the blade and is very dangerous.



- The guard for the cutting equipment should be adjusted so that the rear section is flush with the work piece. Spatter and sparks from the material being cut are then collected up by the guard and led away from the user.



WARNING! Under all circumstances avoid grinding using the side of the blade; it will almost certainly be damaged, break and can cause immense damage. Only use the cutting section.

Do not pull the power cutter to one side, this can cause the blade to jam or break resulting in injury to people.

Sharpening diamond blades

Diamond blades can become dull when the wrong feeding pressure is used or when cutting certain materials such as heavily reinforced concrete. Working with a blunt diamond blade causes overheating, which can result in the diamond segments coming loose.

Sharpen the blade by cutting in a soft material such as sandstone or brick.

Blade vibration

The blade can become out-of-round and vibrate if an excessive feed pressure is used.

A lower feed pressure can stop the vibration. Otherwise replace the blade. The blade must be of the recommended type for the material to be cut.

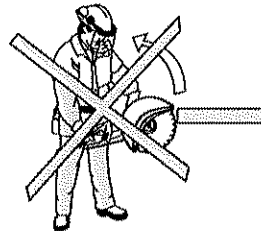
How to avoid kickback



WARNING! Kickback can happen very suddenly and violently; kicking the power cutter and cutting blade back at the user. If this happens when the cutting blade is moving it can cause very serious, even fatal injuries. It is vital you understand what causes kickback and that you can avoid it by taking care and using the right working technique.

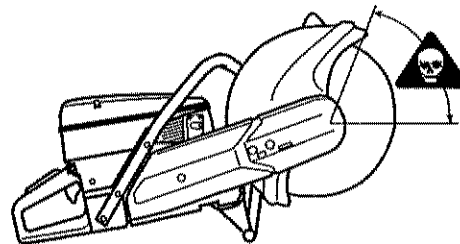
What is kickback?

The word kickback is used to describe the sudden reaction that causes the power cutter and cutting blade to be thrown from an object when the upper quadrant of the blade, known as the kickback zone, touches an object.



General rules

- Never start to cut with the upper quadrant of the blade as shown in the figure, also known as the kickback zone.



- Always hold the machine in a firm grip with both hands. Hold it so that the thumbs and fingers grip round the handles.
- Keep a good balance and a firm foothold.
- Always cut at maximum speed.
- Stand at a comfortable distance from the work piece.
- Take care when inserting the blade in an existing cut.
- Never cut above shoulder height.
- Be alert to movement of the work piece or anything else that can occur, which could cause the cut to close and pinch the blade.

Pull in

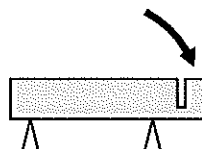
Pull in occurs when the disc's lower section suddenly stops or when the cut closes. (To avoid, see the heading "Basic rules" and "Jamming/rotation", here below.)

Pinching/rotation

If the cut is pressed together this can lead to jamming. The machine can be pulled down suddenly with a very powerful jerk.

How to avoid pinching

Support the work piece in such a way that the cut remains open during the cutting operation and when the cut is finished.



SAFETY INSTRUCTIONS

Cutting blades



WARNING! A cutting blade may burst and cause injury to the operator.

Never use a cutting blade at a lower speed rating than that of the power cutter.

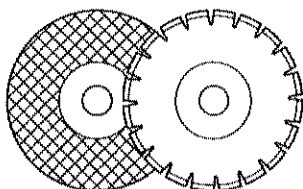
Never use a cutting blade for any other materials than that it was intended for.



WARNING! Cutting plastics with a diamond blade or rescue blade can cause kickback when the material melts due to the heat produced when cutting and sticks to the blade.

General

Cutting blades are available in two basic designs; abrasive discs and diamond blades.



Always remove the cutting blade when the machine is transported.

Make sure that the right bushing is used for the cutting blade to be fitted on the machine. See the instructions under the heading Assembling the cutting blade.

High-quality blades are often most economical. Lower quality blades often have inferior cutting capacity and a shorter service life, which results in a higher cost in relation to the quantity of material that is cut.

Water cooling



WARNING! Water cooling, which is used when cutting concrete, cools the blade and increases its service life while also reducing the formation of dust. Disadvantages include difficulties at very low temperatures, the risk of damaging floors and other structural elements, and the risk of slipping.

After using an abrasive disc with water cooling, run the disc dry for about half a minute. If an abrasive disc is stored in humid conditions, this can cause imbalance and result in injury.

Hand-held, high-speed machines

Our cutting blades are manufactured for high-speed, portable power cutters. If blades from other manufacturers are used, ensure that the blades conform to all regulations and demands that concern this type of power cutter.

Special blades

Some cutting blades are designed for stationary equipment and for use with attachments. Such cutting blades must not be used on portable power cutters.

Always contact local authorities and make sure you are following applicable directives.

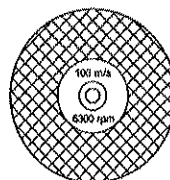
Abrasive discs

The cutting material on abrasive discs consists of grit bonded using an organic binder. "Reinforced blades" are made up of a fabric or fibre base that prevents total breakage at maximum working speed if the blade should be cracked or damaged.

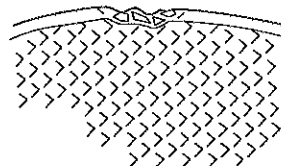
A cutting blade's performance is determined by the type and size of abrasive corn, and the type and hardness of the bonding agent.

Abrasive discs, types and use		
Use		
Disc type	Material	Water cooling
Concrete	Concrete, asphalt, stone masonry, cast iron, aluminium, copper, brass, cables, rubber, plastic, etc.	Can be used to reduce dust. Run the disc dry for about a half minute after using an abrasive disc with water cooling.
Metal	Steel, steel alloys and other hard metals.	NOT recommended

Check that the blade is approved for the same or higher speed according to the approval plate of the engine. Never use a cutting blade with a lower speed rating than that of the power cutter.



Ensure the blade it not cracked or damaged in any other way.



Test the abrasive disc by hanging it on your finger and tapping it lightly with a screwdriver or the like. If the disc does not produce a resonant, ringing sound it is damaged.



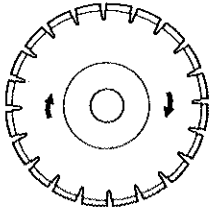
SAFETY INSTRUCTIONS

Diamond blades

Diamond blades consist of a steel body provided with segments that contain industrial diamonds.

Diamond blades ensure lower costs per cutting operation, fewer blade changes and a constant cutting depth.

When using diamond blades make sure that it rotates in the direction indicated by the arrow on the blade.



Always use a sharp diamond blade. Sharpen the blade by cutting in a soft material such as sandstone or brick.

Diamond blades are available in several hardness classes. A "soft" diamond blade has a relatively short service life and large cutting capacity. It is used for hard materials such as granite and hard concrete. A "hard" diamond blade has a longer service life and reduced cutting capacity, and should be used for soft materials such as brick and asphalt.

Material

Diamond blades are ideal for masonry, reinforced concrete and other composite materials. Diamond blades are not recommended for cutting metal.

Diamond blades for wet cutting



WARNING! Cool diamond blades for wet cutting continuously with water to prevent overheating, which can cause the blade to break up and eject pieces that can cause injury.

Diamond blades for wet cutting should have water poured over them during the cutting to cool the blade and bond the dust.

Diamond blades for dry cutting

Diamond blades for dry cutting are a new generation of blades that do not require water cooling. However, the blades will still be damaged by excessive heat. It is most economical to allow the blade to cool by simply lifting it out from the cut every 30–60 seconds and letting it rotate in the air for 10 seconds.

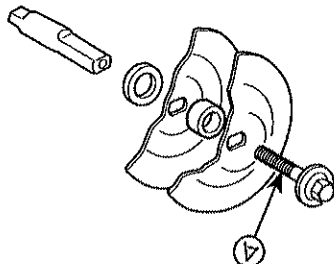
ASSEMBLY

Checking the drive axle and flange washers

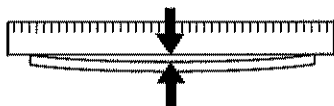


Check that the threads on the drive shaft are undamaged.

Check that the contact surfaces of the cutting blade and flanges are flat, run correctly on the spindle and are free from foreign objects.



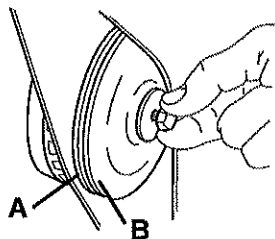
Do not use warped, notched, indented or dirty flange washers. Do not use different dimensions of flange washers.



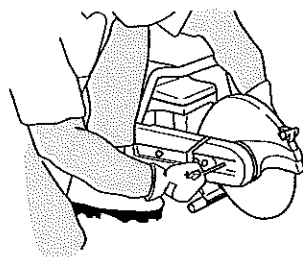
Fitting the cutting blade

Husqvarna cutting blades are manufactured and approved for freehand cutting. The paper labels on each side of the blade are there to distribute the pressure from the flange washer and prevent the blade from slipping.

The blade is placed on the bushing between the inner flange washer (A) and the flange washer (B). The flange washer is turned so that it fits on the axle.



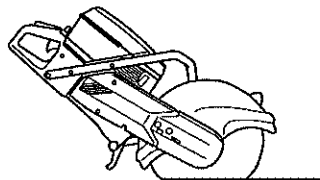
The shaft can be locked using a screwdriver, steel pin or the like. This is slid in as far as possible. The blade is tightened clockwise.



Tightening torque for the bolt holding the blade is: 15-25 Nm (130-215 in.lb).

Guard for the blade

The guard must always be fitted on the machine. The guard for the cutting equipment should be adjusted so that the rear section is flush with the work piece. Spatter and sparks from the material being cut are then collected up by the guard and led away from the user.



WARNING! A 16 inch blade guard should only be used on power cutters initially equipped with a 16 inch blade guard. If a guard obtained as a spare part is fitted on a power cutter which is equipped with a 12 or 14 inch guard, a 16 inch blade will run too fast. A cutting blade running at a too high speed can break or cause serious damage.

FUEL HANDLING

Fuel

CAUTION! The machine is equipped with a two-stroke engine and must always be run using a mixture of petrol and two-stroke engine oil. It is important to accurately measure the amount of oil to be mixed to ensure that the correct mixture is obtained. When mixing small amounts of fuel, even small inaccuracies can drastically affect the ratio of the mixture.



Petrol

- The lowest octane recommended is 90 (RON). If you run the engine on a lower octane grade than 90 so-called knocking can occur. This gives rise to a high engine temperature, which can result in serious engine damage.

Two-stroke oil

- For best results and performance use HUSQVARNA two-stroke engine oil, which is specially formulated for our air-cooled two-stroke engines.
- Never use two-stroke oil intended for water-cooled engines, sometimes referred to as outboard oil (rated TCW).
- Never use oil intended for four-stroke engines.

Mixing ratio

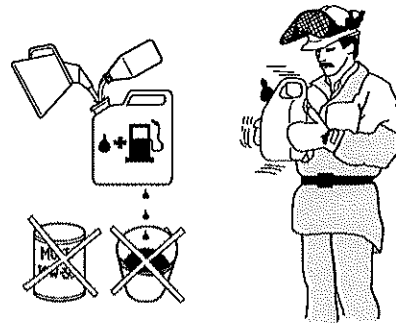
1:50 (2%) with HUSQVARNA two-stroke oil.

1:33 (3%) with oils class JASO FB or ISO EGB formulated for air-cooled, two-stroke engines.

Petrol, litre	Two-stroke oil, litre	
	2% (1:50)	3% (1:33)
5	0,10	0,15
10	0,20	0,30
15	0,30	0,45
20	0,40	0,60

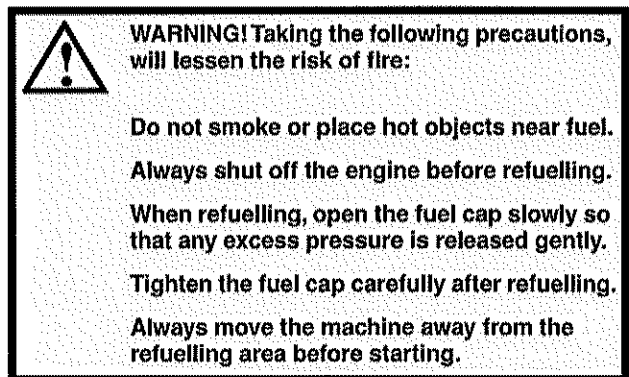
Mixing

- Always mix the petrol and oil in a clean container intended for fuel.
- Always start by filling half the amount of the petrol to be used. Then add the entire amount of oil. Mix (shake) the fuel mixture. Add the remaining amount of petrol.
- Mix (shake) the fuel mixture thoroughly before filling the machine's fuel tank.

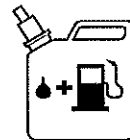


- Do not mix more than one month's supply of fuel at a time.
- If the machine is not used for some time the fuel tank should be emptied and cleaned.

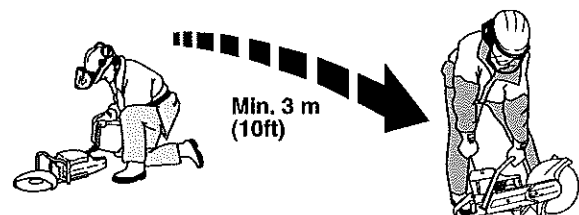
Fuelling



- Keep the handle dry and free from oil and fuel.
- Ensure that the fuel is well mixed by shaking the container before filling the tank.



- Always exercise care when refilling the fuel. Move the machine at least three metres from the fuelling area before it is started. Check that the fuel cap is tightened correctly.



- Clean around the fuel cap. Clean the fuel and oil tank regularly. The fuel filter should be changed at least once a year. Contamination in the tanks causes malfunction.

STARTING AND STOPPING

Starting and stopping



WARNING! Note the following before starting:

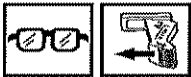
Do not start the power cutter without the belt guard fitted. Otherwise the clutch could come loose and cause personal injuries.

Always move the machine away from the refuelling area before starting.

Ensure that you and the machine have a good working stance and that the cutting blade can rotate freely.

Keep people and animals well away from the working area.

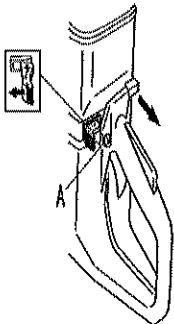
Starting a cold engine



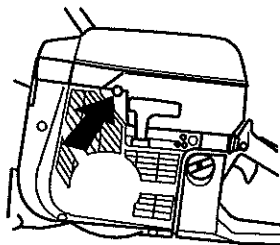
Ignition: Slide the ignition switch to the left.

Choke: Pull the choke control fully out.

Start throttle lock: Press in the throttle trigger lock, throttle control and then the start throttle lock (A). Release the throttle control and it is locked in the half throttle position. The lock releases when the throttle control is pressed in fully.

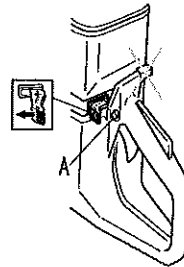


Decompression valve: Press in the valve to reduce the pressure in the cylinder, this is to assist starting the power cutter. The decompression valve should always be used when starting. The valve automatically returns to its initial position when the machine starts.



Starting a warm engine

Use the same starting procedure as for a cold engine but without setting the choke control in the choke position.

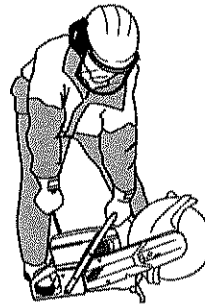


Starting



WARNING! The cutting blade rotates when the engine is started. Make sure it can rotate freely.

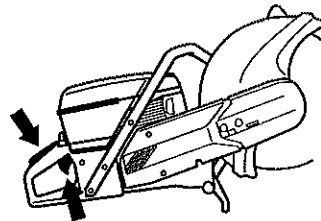
Grip the front handle with your left hand. Put your right foot on the lower section of the rear handle pressing the machine against the ground. **Never twist the starter cord around your hand.**



Grip the starter handle, slowly pull out the cord with your right hand until you feel some resistance (the starter pawls grip), now quickly and powerfully pull the cord.

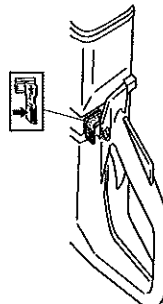
CAUTION! Do not pull the starter cord all the way out and do not let go of the starter handle when the cord is fully extended. This can damage the machine.

When the engine starts, quickly apply full throttle to automatically disengage fast idle.



Stopping

The engine is stopped by switching the ignition off using the stop switch.

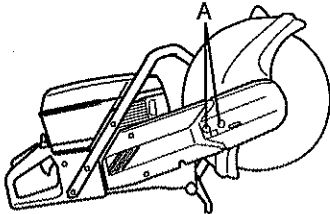


MAINTENANCE

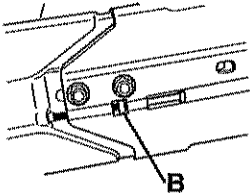
Tensioning the drive belt



- The drive belt is fully enclosed and well protected from dust and dirt.
- When tensioning the drive belt, slightly loosen the nuts (A) holding the cutting head and belt guard.



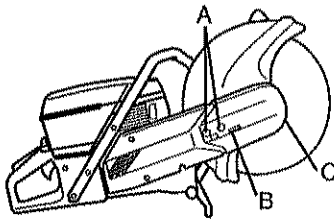
- Turn the tension screw so that the nut (B) aligns with the arrow on the guard. Shake the head to ensure the spring can tension the belt. The belt now automatically has the right tension.



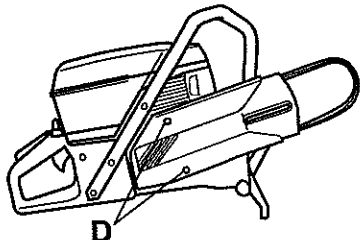
- Tighten the nuts holding the cutting head.

Replacing the drive belt

- Loosen the two screws (A).



- Turn the tension screw (B) until tensioning stops.
- Remove the two screws (A).
- Remove the front belt guard (C)
- Remove the belt from the belt pulley.
- Remove the cutting head.
- Remove the screw (D). Remove the side cover.



- Replace the drive belt.
- Assemble in the reverse order as set out for dismantling.
- Check that the blade guard over the cutting blade is not cracked or damaged in any other way. Replace when damaged.



WARNING! Never use the power cutter without a blade guard over the cutting blade.

Belt pulley and clutch

Never start the engine when the belt pulley and clutch are removed for maintenance.

Carburettor

Your Husqvarna product has been designed and manufactured to specifications that reduce harmful emissions. After the engine has used 8-10 tanks of fuel the engine will be run-in. To ensure that it continues to run at peak performance and to minimise harmful exhaust emissions after the running-in period, ask your dealer/service workshop (who will have a rev counter at their disposal) to adjust your carburettor.

Function



WARNING! Do not start the machine without the cutting arm or cutting head fitted. Otherwise the clutch could come loose and cause personal injuries.

- The carburettor governs the engine speed via the throttle. Air and fuel are mixed in the carburettor.

Needles

The carburettor is equipped with fixed needles to ensure the machine always receives the correct mixture of fuel and air. When the engine lacks power or accelerates poorly, do the following:

- Check the air filter and replace if necessary.
- When this does not help, contact an authorised service workshop.

Fine adjustment of the idle speed T

Adjust the idle speed using the T screw. When an adjustment is necessary, first turn the screw clockwise until the blade starts to rotate. Now turn the screw anti-clockwise until the blade stops rotating. A correctly adjusted idle speed is set when the engine accelerates without hesitation.

Rec. idle speed: 2700 rpm



WARNING! If the idle speed cannot be adjusted so that the cutting attachment stops, contact your dealer/service workshop. Do not use the machine until it has been correctly adjusted or repaired.

Fuel filter

- The fuel filter sits inside the fuel tank.
- The fuel tank must be protected from contamination when filling. This reduces the risk of operating disturbances caused by blockage of the fuel filter located inside the tank.
- The filter cannot be cleaned but must be replaced with a new filter when it is clogged. **The filter should be changed at least once per year.**

MAINTENANCE

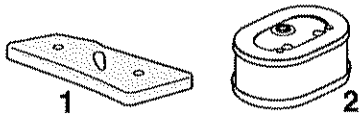
Air filter



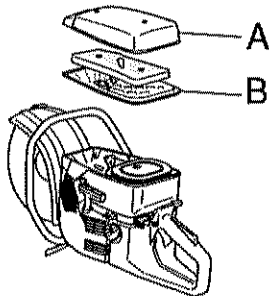
Air filters must be regularly cleaned to remove dust and dirt in order to avoid:

- Carburettor malfunctions
- Starting problems
- Loss of engine power
- Unnecessary wear to engine parts.
- Excessive fuel consumption.

The air filter system consists of an oiled foam plastic filter (1) and a paper filter (2):



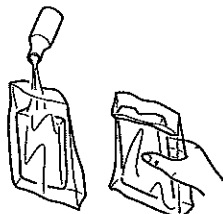
- 1 The foam plastic filter is easily accessible under the filter cover A. This filter should be checked weekly and replaced if necessary. In order to obtain a good filtering effect, the filter must be replaced regularly or cleaned and oiled. A special HUSQVARNA oil has been produced for this purpose.



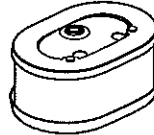
Remove the foam plastic filter. Wash the filter well in tepid soapy water. After cleaning, rinse the filter well in clean water. Squeeze out and allow the filter to dry. NOTE! High pressure compressed air can damage the foam.



Put the filter in a plastic bag and pour the filter oil over it. Knead the plastic bag to distribute the oil. Squeeze the excess oil out of the filter inside the plastic bag and pour off the excess before fitting the filter to the machine. Never use common engine oil. This would drain through the filter quite quickly and collect in the bottom.



- 2 The paper filter is accessible under cover B. This filter must be replaced/cleaned when the engine's power drops. The filter is cleaned by shaking. Note that the filter must not be washed. NOTE! High pressure compressed air can damage the filter.



An air filter that has been in use for a long time cannot be cleaned completely. The filter must therefore be replaced with a new one at regular intervals. **A damaged air filter must always be replaced.**

IMPORTANT INFORMATION Poor maintenance of the air filter will cause carbon build-up on the spark plug and abnormal wear to engine parts.

Starter



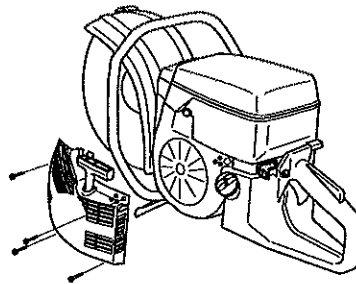
WARNING! When the recoil spring is wound up in the starter housing it is under tension and can, if handled carelessly, pop out and cause personal injury.

Always be careful when changing the recoil spring or the starter cord. Always wear protective goggles.

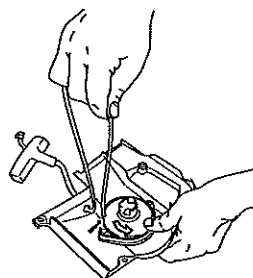
Changing a broken or worn starter cord



- Loosen the filter and cylinder cover.
- Loosen the screws that hold the starter against the crankcase and remove the starter.

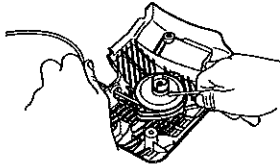


- Pull out the cord approx. 30 cm and hook it into the notch in the rim of the pulley. Release the recoil spring by letting the pulley rotate slowly backwards.

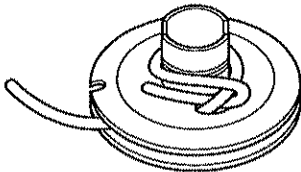


MAINTENANCE

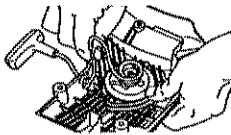
- Remove any remnants of the old starter cord and check that the return spring works. Insert the new starter cord through the hole in the starter housing and in the cord pulley.



- Secure the starter cord around the cord pulley as illustrated. Tighten the fastening well and ensure that the free end is as short as possible. Secure the end of the starter cord in the starter handle.



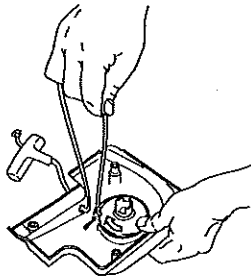
- Guide the cord through the cut-out in the periphery of the pulley and wind the cord 3 times clockwise around the centre of the starter pulley.



- Now pull the starter handle and in doing so tension the spring. Repeat the procedure once more, but this time with four turns.
- Note that the starter handle is drawn to its correct home position after tensioning the spring.
- Check that the spring is not drawn to its end position by pulling out the starter line fully. Slow the starter pulley with your thumb and check that you can turn the pulley at least a further half turn.

Tensioning the recoil spring

- Hook the starter cord in the notch in the pulley and turn the starter pulley about 2 turns clockwise.

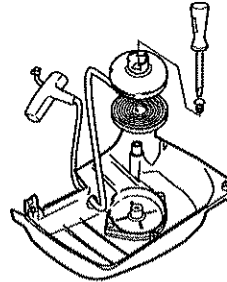


CAUTION! Check that the pulley can be turned at least a further 1/2 turn when the starter cord is pulled all the way out.

Changing a broken recoil spring



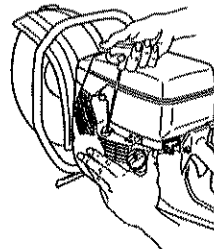
- Undo the bolt in the centre of the pulley and remove the pulley.
- Bear in mind that the return spring lies tensioned in the starter housing.
- Loosen the bolts holding the spring cassette.



- Remove the recoil spring by turning the starter over and loosen the hooks, with the help of a screwdriver. The hooks hold the return spring assembly on the starter.
- Lubricate the recoil spring with light oil. Fit the pulley and tension the recoil spring.

Fitting the starter

- To fit the starter, first pull out the starter cord and place the starter in position against the crankcase. Then slowly release the starter cord so that the pulley engages with the pawls.



- Fit and tighten the screws that hold the starter.

MAINTENANCE

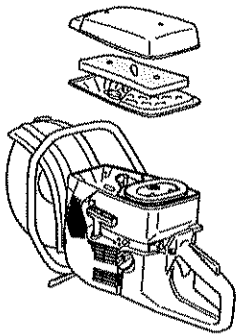
Spark plug



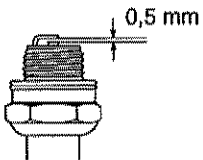
The spark plug condition is influenced by:

- Incorrect carburettor adjustment.
- Wrong fuel mixture (too much oil).
- A dirty air filter.

These factors cause deposits on the spark plug electrodes, which may result in operating problems and starting difficulties.



- If the machine is low on power, difficult to start or runs poorly at idle speed: always check the spark plug first before taking any further action. If the spark plug is dirty, clean it and check that the electrode gap is 0.5 mm. The spark plug should be replaced after about a month in operation or earlier if necessary.



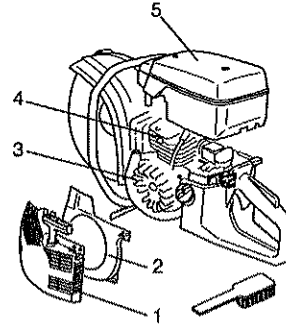
CAUTION! Always use the recommended spark plug type! Use of the wrong spark plug can damage the piston/cylinder.

Cooling system



To keep the working temperature as low as possible the machine is equipped with a cooling system.

The cooling system consists of:



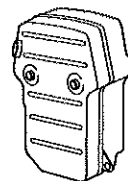
- 1 Air intake on the starter.
- 2 Air guide plate.
- 3 Fins on the flywheel.
- 4 Cooling fins on the cylinder.
- 5 Cylinder cover

Clean the cooling system with a brush once a week, more often in demanding conditions. A dirty or blocked cooling system results in the machine overheating which causes damage to the piston and cylinder.

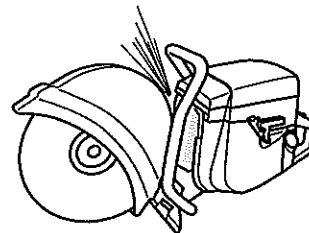
Muffler



The muffler is designed to reduce the noise level and to direct the exhaust gases away from the operator. The exhaust gases are hot and can contain sparks, which may cause fire if directed against dry and combustible material.

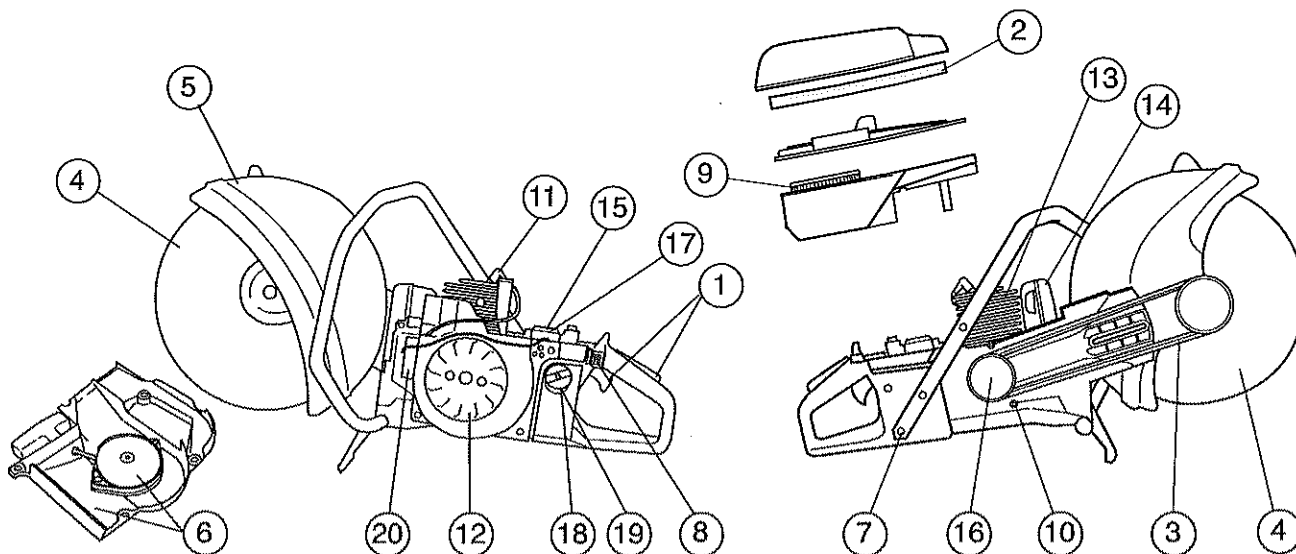


Never use a machine with a defective muffler.



MAINTENANCE

General maintenance instructions



Below you will find some general maintenance instructions. If you have more questions, contact your service agent.

Daily maintenance

- 1 Check that the components of the throttle control work smoothly (throttle control and throttle trigger lock).
- 2 Check the tension of the drive belt.
- 3 Check the condition of the blade and the drive gear.
- 4 Check the condition of the blade guard.
- 5 Check the starter and starter cord and clean the outside of the starter unit's air intake.
- 6 Check that nuts and screws are tight.
- 7 Check that the stop switch works correctly.

Weekly maintenance

- 8 Check, clean or replace the main filter.
- 9 Check that the handles and vibration damping elements are not damaged.
- 10 Clean the spark plug. Check that the electrode gap is 0.5 mm.
- 11 Clean the fins on the flywheel. Check the starter and the recoil spring.
- 12 Clean the cooling fins on the cylinder.
- 13 Check that the muffler is securely attached and not damaged.
- 14 Check the operation of the carburettor.

Monthly maintenance

- 15 Check the paper filter
- 16 Check the clutch centre, drive gear and clutch spring for wear.
- 17 Clean the outside of the carburettor.
- 18 Check the fuel filter and the fuel hose. Replace if necessary.
- 19 Clean the inside of the fuel tank.
- 20 Check all cables and connections.

TECHNICAL DATA

K960

	K960		
Engine			
Cylinder displacement, cm ³	93,6		
Cylinder bore, mm	56		
Stroke, mm	38,0		
Idle speed, rpm	2700		
Recommended max. speed, rpm	9300 (+/- 150)		
Power, kW/ rpm	4,5/9000		
Ignition system			
Manufacturer of ignition system	SEM		
Type of ignition system	CD		
Spark plug	NGK BPMR 7A/ Champion RCJ 6Y		
Electrode gap, mm	0,5		
Fuel and lubrication system			
Manufacturer of carburettor	Walbro		
Carburettor type	RWJ-1		
Fuel tank capacity, litre	1,0		
Weight			
Power cutter without fuel and cutting blade, kg			
12" (300 mm)	10,4		
14" (350 mm)	10,6		
16" (400 mm)	11,4		
Noise emissions			
(see note 1)			
Sound power level, measured dB(A)	114		
Sound power level, guaranteed L _{WA} dB(A)	116		
Sound levels			
(see note 2)			
Equivalent sound pressure level at the operator's ear, measured according to EN 1454 dB(A)	102		
Vibration levels			
Handle vibrations measured according to ISO 19432	12"	14"	16"
Front handle, equivalent value, m/s ²	4,1	4,3	4,2
Rear handle, equivalent value, m/s ²	4,3	4,8	4,1

Note 1: Noise emissions in the environment measured as sound power (L_{WA}) in conformity with EC directive 2000/14/EC.

Note 2: Equivalent sound pressure level is calculated as the time-weighted energy total for sound pressure levels under various working conditions with the following time distribution: 1/2 idling and 1/2 max speed.

Cutting equipment

Cutting blade	Max. peripheral speed, m/s	Max. speed of output shaft, rpm
12" (300 mm)	80	4725
14" (350 mm)	100	4725
16" (400 mm)	100	3705

TECHNICAL DATA

EC-declaration of conformity

(Applies to Europe only)

Husqvarna Construction Products, SE-433 81 Partille, Sweden, tel: +46-31-949000, declares under sole responsibility that the power cutter **Husqvarna K960** dating from 2006 serial numbers and onwards (the year is clearly stated on the rating plate, followed by the serial number), complies with the requirements of the COUNCIL'S DIRECTIVE:

- of June 22, 1998 "relating to machinery" **98/37/EC**, annex IIA.
- of May 3, 1989 "relating to electromagnetic compatibility" **89/336/EEC**, and applicable supplements.
- of May 8, 2000 "relating to the noise emissions in the environment" **2000/14/EC**.

For information relating to noise emissions, see the chapter Technical data.

The following standards have been applied: **SS-EN ISO 12100:2003, EN-ISO 55012:2002, EN 1454, ISO 19432**

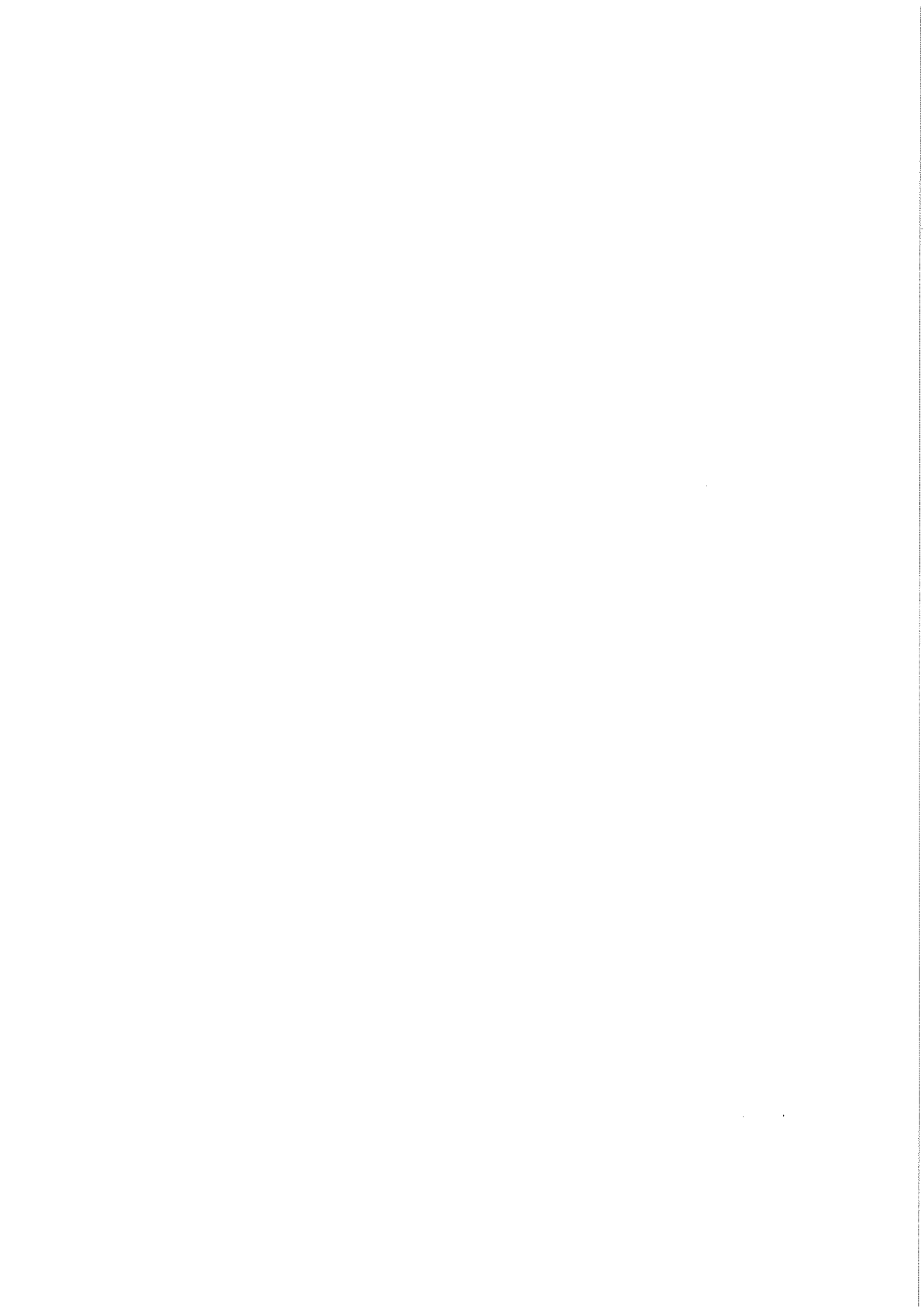
SMP Swedish Maskinprovning AB, Fyrisborgsgatan 3, SE-754 50 Uppsala, Sweden, has carried out the assessment of conformity in accordance with annex V of the Directive 2000/14/EC. The certificate has the number: **01/169/015**

Partille 1 September 2006



Ove Donnerdal, Development Manager





Manual # 485

Plant No: 0584

Quick cut saw

40.64 cm / 16 inches 2 stroke.

K960

Reservdelar

Spare parts

Ersatzteile

Pieces de rechange

Piezas de repuesto

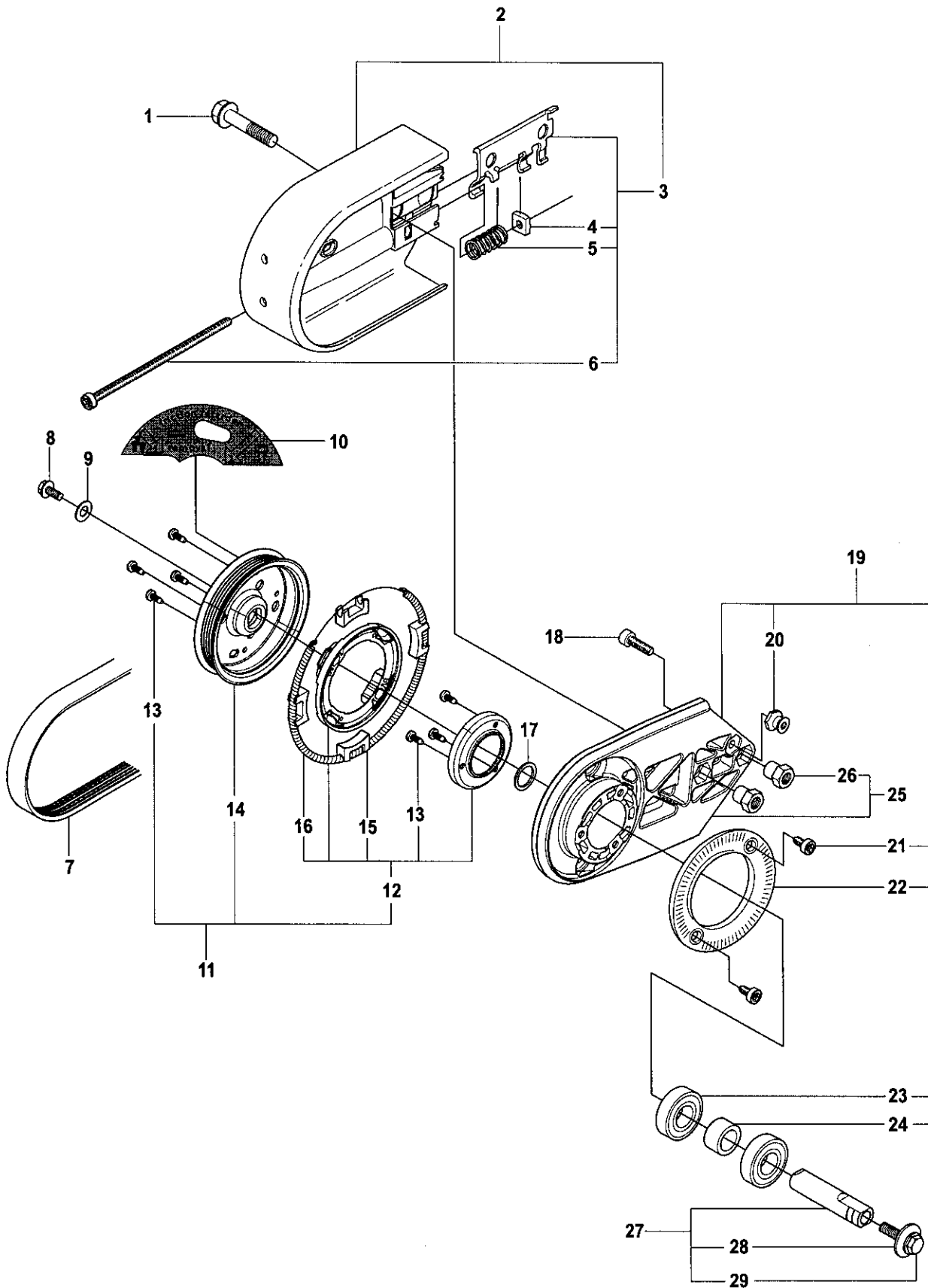
Ricambi

Peças sobresselente

No.	Pos.	Description	No.	Pos.	Description
501 27 08-01	D	GUIDE BUSHING	505 27 75-16	J	INSULATING CAP
501 46 87-01	M	SCREW	505 30 24-15	C	NEEDLE BEARING
501 48 54-02	J	SPARK PLUG CAP	505 31 67-17	M	SCREW-LEVER PIN
501 63 48-01	J	SPRING	505 31 67-31	M	PIN-METERING LEVER
501 66 61-01	M	SCREEN-INLET	505 31 67-34	M	LEVER-METERING
501 67 32-03	J	PAWL	505 31 67-48	M	WASHER
501 76 83-05	G	FUEL HOSE	506 02 87-01	B	FLANGE WASHER
501 81 99-01	J	SCREW	506 02 88-30	B	BUSHING
501 83 98-01	J	CABLE	506 07 08-01	A	SPACING SLEEVE
501 97 18-01	L	SCREW	506 07 09-01	B	FLANGE WASHER
501 98 10-01	K	SCREW	506 09 56-06	P	HOSE CLAMP
502 21 58-01	N	L-SPANNER	506 09 58-24	P	HOSE
502 44 58-01	M	GASKET KIT	506 09 75-02	P	HOSE
502 44 59-01	M	REPAIR KIT	506 13 95-11	A	WASHER
502 47 04-01	A	LABEL	506 13 96-01	A	COLLAR SCREW
502 62 32-01	L	CARBURETTOR	506 14 32-01	A	TORSION STOP
502 62 32-01	M	CARBURETTOR	506 22 17-02	K	AIR FILTER COVER
503 11 71-01	M	BALL-CHOKE FRICTION	506 22 18-15	K	FILTER BOTTOM
503 11 72-01	M	GASKET-PUMP	506 22 27-03	G	THROTTLE TRIGGER
503 11 75-01	M	SCREW-PUMP COVER	506 22 28-02	G	THROTTLE LOCKOUT
503 11 76-01	M	SPRING-METER.LEVER	506 22 29-01	G	SPRING THROTTLE TRIG
503 11 77-01	M	SPRING-CHOKE FRICT.	506 22 94-01	K	AIR NOZZLE
503 12 79-01	H	STARTER HANDLE	506 23 19-01	K	PREFILTER
503 14 29-02	Q	WASHER	506 23 20-11	L	CHOKE
503 14 51-01	C	CLUTCH SPRING	506 23 59-13	H	STARTER
503 20 00-45	A	SCREW	506 23 61-01	G	TANK VENT
503 20 72-05	A	SCREW	506 24 39-02	K	LABEL
503 21 07-22	H	SCREW	506 25 14-01	H	GROMMET
503 21 28-06	J	SCREW	506 25 30-01	H	COMPRESSION SPRING
503 21 28-10	AH	SCREW	506 25 59-03	G	TANK CAP ASSY
503 21 53-10	A	SCREW	506 25 81-02	H	STARTER PULLEY
503 21 53-12	GQ	SCREW	506 25 89-01	H	RECOIL SPRING
503 21 53-16	GL	SCREW	506 26 31-01	H	SPACING SLEEVE
503 21 53-20	J	SCREW	506 26 41-01	G	FUEL FILTER
503 21 53-21	CH	SCREW	506 26 41-11	G	FUEL FILTER
503 21 53-25	E	SCREW	506 26 63-02	BQ	LINING
503 21 53-30	KL	SCREW	506 26 64-01	B	RATCHET FLANGE
503 21 53-49	DK	SCREW	506 26 65-01	B	FLANGE
503 21 54-20	GP	SCREW	506 26 66-04	A	BELT TENSIONER ASSY
503 21 54-45	G	SCREW	506 26 68-01	A	COMPRESSION SPRING
503 22 10-11	J	NUT	506 27 11-01	G	HOSE CLAMP
503 22 65-04	Q	NUT	506 27 23-03	H	LABEL
503 23 00-11	G	WASHER STEEL	506 27 25-01	L	WEAR PROTECTION
503 23 00-42	J	WASHER STEEL	506 27 27-02	J	FLYWHEEL
503 23 01-01	J	WASHER STEEL	506 28 39-30	K	SEALING
503 23 01-04	A	WASHER STEEL	506 28 41 22	B	LABEL
503 23 01-16	A	WASHER STEEL	506 28 41-02	B	LABEL
503 23 04-02	E	WASHER	506 28 41-04	B	LABEL
503 23 51-09	J	SPARK PLUG	506 28 41-12	B	LABEL
503 25 00-02	DF	BALL BEARING	506 28 41-14	B	LABEL
503 25 21-01	A	BALL BEARING	506 28 41-24	B	LABEL
503 25 61-01	EF	NEEDLE BEARING	506 28 44-01	A	COLLAR SCREW
503 26 02-04	DN	SEALING RING	506 28 73-01	A	NUT
503 26 30-21	P	O-RING	506 28 84-01	A	SCREEN PATTERN FLANG
503 26 60-02	GP	COUPLER	506 28 95-01	G	NIPPLE
503 28 90-35	E	PISTON RING	506 29 21-01	G	GASKET
503 45 46-01	G	CONNECTION BEND	506 29 56-01	P	NIPPLE
503 46 85-01	G	ANTIVIB ELEMENT	506 29 57-02	P	NIPPLE
503 56 00-08	L	HOSE CLAMP	506 29 75-02	Q	STARTER HANDLE
503 56 45-01	M	SEAL-THROTTLE SHAFT	506 29 76-01	Q	SHOULDER STRAP
503 57 41-01	M	PLUG-WELCH	506 29 83-63	A	SHAFT
503 57 89-01	G	TANK CAP HOLDER	506 29 88-01	P	FILTER
503 63 25-01	M	VALVE -INLET NEEDLE	506 30 23-02	Q	LABEL
503 66 56-01	E	DECOMPRESSION VALVE	506 30 25-05	Q	BRACKET
503 70 15-01	C	CLUTCH ASSY	506 31 86-02	J	STOP SWITCH
504 03 70-01	A	PULLEY	506 32 20-02	Q	LABEL
504 03 70-03	A	PULLEY	506 32 22-02	Q	LABEL
504 05 47-01	L	THROTTLE ROD	506 32 48-01	B	SUPPORT FLANGE
504 13 52-01	M	VALVE	506 32 87-01	P	Y-TUBE
504 13 53-01	M	VALVE	506 33 56-15	H	STARTER CORD

No.	Pos.	Description	No.	Pos.	Description
506 33 56-50	H	STARTER CORD	544 89 06-03	Q	LABEL
506 33 72-04	H	STARTER COVER	544 89 07-05	K	LABEL
506 34 05-02	B	WHEEL GUARD ASSY	544 89 07-06	K	LABEL
506 34 05-04	B	WHEEL GUARD ASSY	544 89 14-04	K	CYLINDER COVER ASSY
506 34 05-06	B	WHEEL GUARD ASSY	544 89 20-06	G	FUEL TANK
506 34 05-24	Q	WHEEL GUARD ASSY	544 89 54-01	D	RUBBER BUSHING
506 34 05-28	Q	WHEEL GUARD ASSY	544 89 60-01	M	LEVER
506 34 46-02	BQ	HANDLE	544 89 62-01	M	PUMP COVER
506 34 70-02	K	AIR FILTER	544 89 63-01	M	COVER
506 35 27-01	P	PROTECTIVE SPRING	544 89 64-01	M	SHAFT
506 37 28-03	E	MUFFLER	544 89 67-01	M	SHAFT
506 37 81-01	DEN	GASKET MUFFLER	544 89 71-01	M	GASKET
506 37 83-02	C	DRIVING PULLEY ASSY	544 89 72-01	M	DIAPHRAGM PUMP
506 37 96-20	B	BUSHING	544 89 74-01	M	DIAPHRAGM ASSY
506 37 96-22	B	BUSHING	544 89 76-01	M	SCREW
506 37 96-25	B	BUSHING	544 89 79-01	M	PLATE
506 38 26-01	N	COMBINATION TOOL	544 90 84-03	A	BELT
506 38 59-04	GP	HOSE	544 90 84-04	A	BELT
506 38 60-12	P	VALVE ASSY	544 93 31-01	C	LABEL
506 38 78-34	J	IGNITION CABLE	544 93 56-02	E	CYLINDER ASSY
506 38 91-03	G	VIB.INSULATOR	544 95 68-01	M	SPRING
506 39 30-01	C	WASHER	544 98 39-01	F	CRANKSHAFT ASSY
506 39 36-02	A	BELT GUARD	720 12 40-20	G	PARALLEL PIN
506 39 42-05	A	BEARING HOUSING	725 53 29-55	AB	SCREW
506 39 42-11	A	BEARING HOUSING	725 53 31-55	BQ	SCREW
506 40 93-01	A	NUT	734 11 47-41	G	WASHER
506 41 32-02	E	PISTON	737 44 13-00	E	CIRCLIP
506 41 39-01	DN	GASKET	740 43 13-00	H	O-RING
506 41 40-01	DEN	GASKET	740 48 20-03	K	O-RING
506 41 41-01	L	INLET PIPE			
506 41 42-01	L	PLATE			
506 41 44-01	F	CUP			
530 03 51-57	M	PLUG			
537 00 20-01	M	SCREW			
537 00 26-01	M	SPACER			
537 21 03-09	G	ANTIVIB ELEMENT			
544 00 31-02	P	WATER HOSE KIT			
544 00 31-05	P	WATER HOSE KIT			
544 02 08-02	G	SPRING RETAINER			
544 04 75-03	J	IGNITION MODULE			
544 06 12-01	G	SCREW			
544 09 65-02	C	BELT GUARD			
544 11 15-01	M	SCREW			
544 11 17-01	L	FLANGE			
544 11 39-01	L	CONSOLE			
544 15 01-01	L	FLANGE			
544 21 47-02	D	CRANKCASE ASSY			
544 21 47-03	R	CRANKCASE CPL.			
544 21 47-04	S	CRANKCASE CPL			
544 21 52-01	E	HEAT DEFLECTOR			
544 21 84-01	E	SCREW			
544 22 98-01	DN	GASKET KIT			
544 23 26-01	L	CHISEL GUIDE			
544 23 82-01	G	BAND			
544 28 75-01	H	COOLING AIR CONDUCTOR			
544 32 49-32	G	FUEL HOSE			
544 32 50-02	G	FUEL HOSE			
544 33 19-01	L	INLET BEND			
544 37 66-01	C	DRIVING PULLEY ASSY			
544 38 31-02	G	SPRING			
544 44 04-01	A	BRAKE SHOE			
544 44 06-01	A	PULLEY			
544 44 10-01	A	DRAW SPRING			
544 45 68-01	G	HANDLE			
544 81 16-01	G	BASE GROUND SUPPORT			
544 87 44-02	K	LABEL			
544 87 44-04	K	LABEL			
544 87 44-05	K	LABEL			
544 87 46-01	K	LABEL			
544 89 06-01	Q	LABEL			

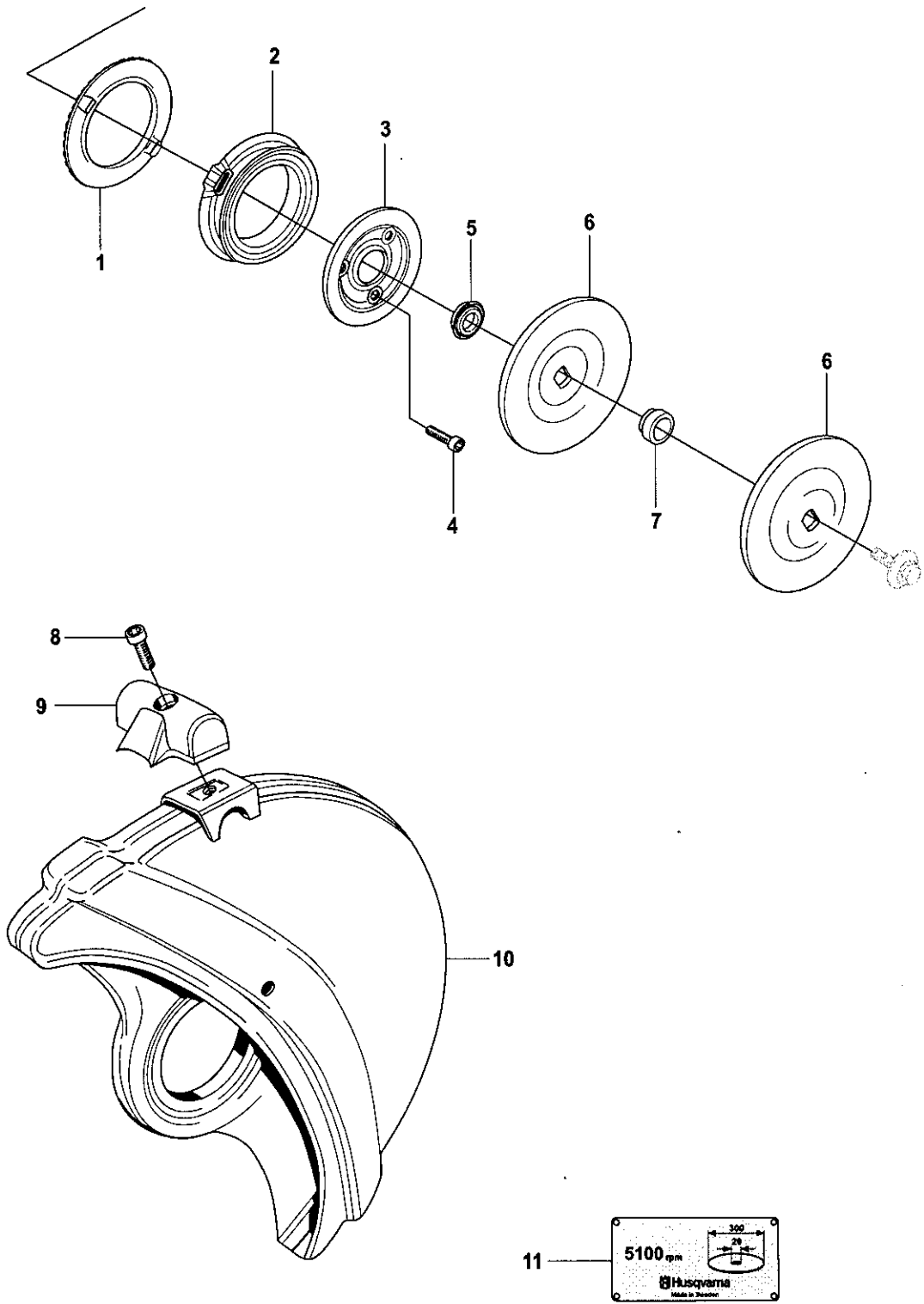
A K960



Page A
K960

Pos.	Part No.	Description	Quantity	Notes	New Part
1	506 28 44-01	COLLAR SCREW	2		
2	506 39 36-02	BELT GUARD	1	Incl. 3	
3	506 26 66-04	BELT TENSIONER ASSY	1	Incl. 4, 5, 6	
4	506 40 93-01	NUT	1		
5	506 26 68-01	COMPRESSION SPRING	1		
6	503 20 72-05	SCREW	1		
7	544 90 84-03	BELT	1	12", 14"	
7	544 90 84-04	BELT	1	16"	
8	503 20 00-45	SCREW	1		
9	503 23 01-16	WASHER STEEL	1		
10	502 47 04-01	LABEL	1		
11	504 03 70-01	PULLEY	1	Incl. 12 - 16	
12	504 03 70-03	PULLEY	1	Incl. 13, 15, 16	
13	503 21 28-10	SCREW	7		
14	544 44 06-01	PULLEY	1		
15	544 44 04-01	BRAKE SHOE	4		
16	544 44 10-01	DRAW SPRING	1		
17	503 23 01-04	WASHER STEEL	1		
18	725 53 29-55	SCREW	1		
19	506 39 42-05	BEARING HOUSING	1	Incl. 20 - 24	
20	506 14 32-01	TORSION STOP	1		
21	503 21 53-10	SCREW	2		
22	506 28 84-01	SCREEN PATTERN FLANG	1		
23	503 25 21-01	BALL BEARING	2		
24	506 07 08-01	SPACING SLEEVE	1		
25	506 39 42-11	BEARING HOUSING	1	Incl. 26	
26	506 28 73-01	NUT	2		
27	506 29 83-63	SHAFT	1	Incl. 28, 29	
28	506 13 95-11	WASHER	1		
29	506 13 96-01	COLLAR SCREW	1		

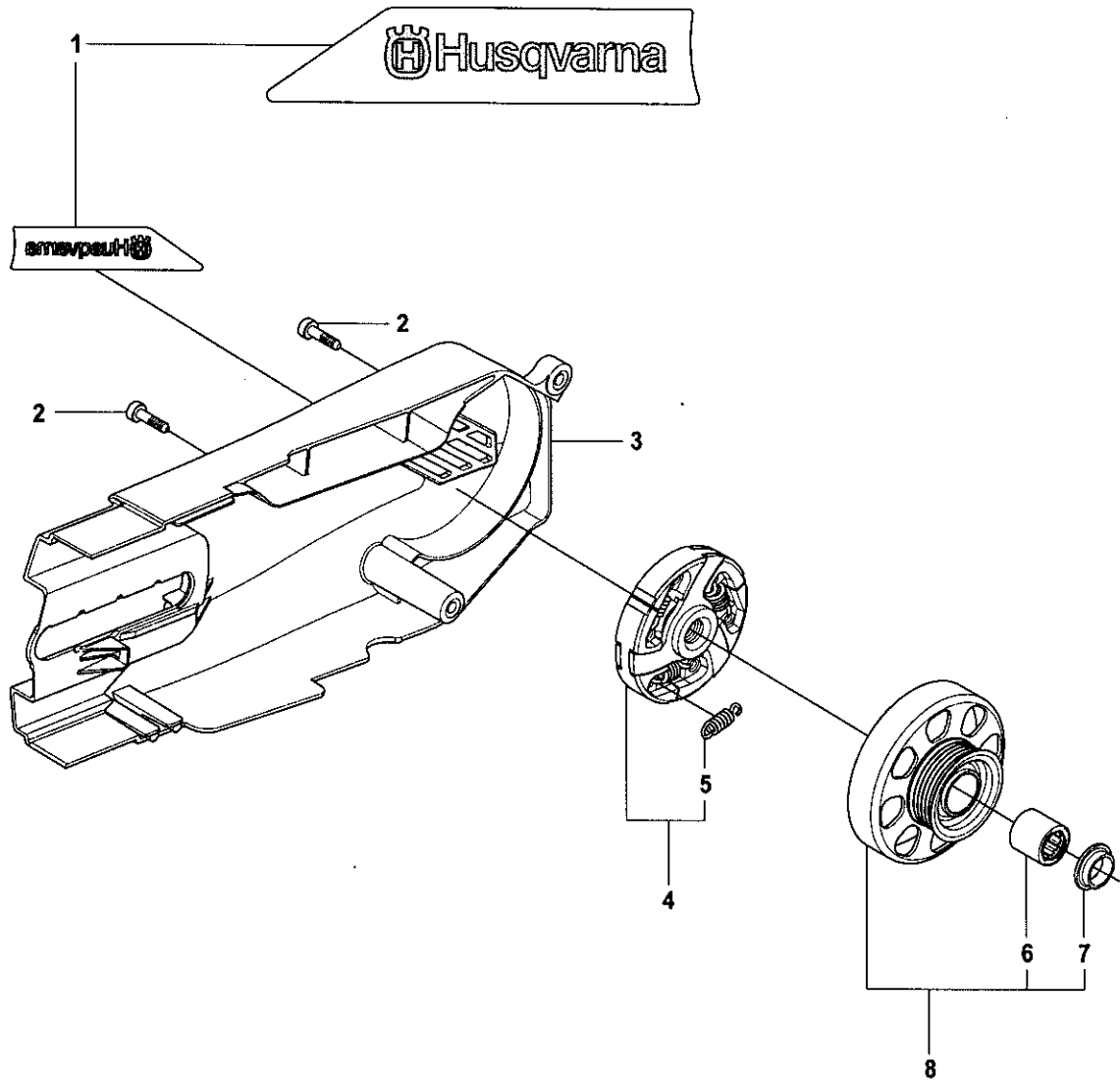
B K960



Page B
K960

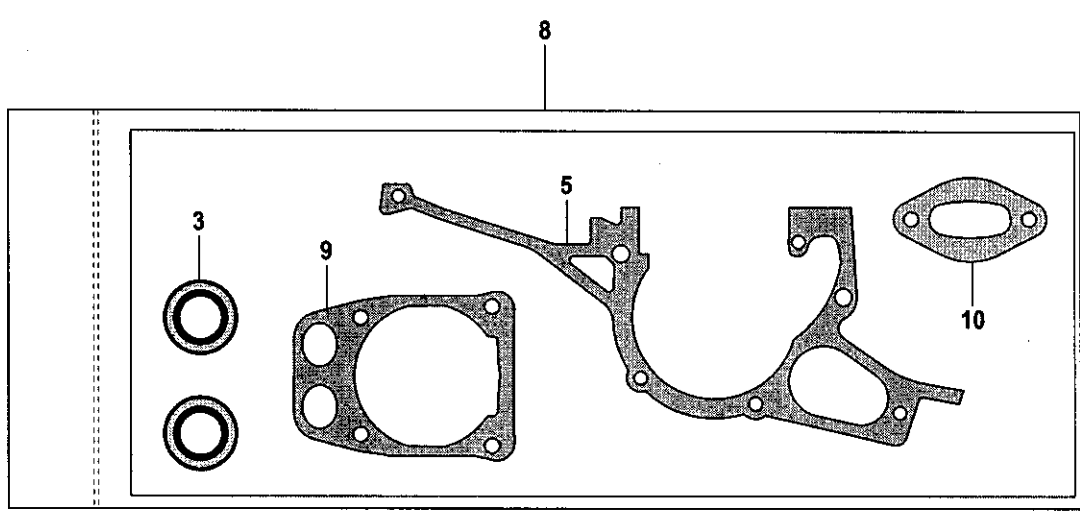
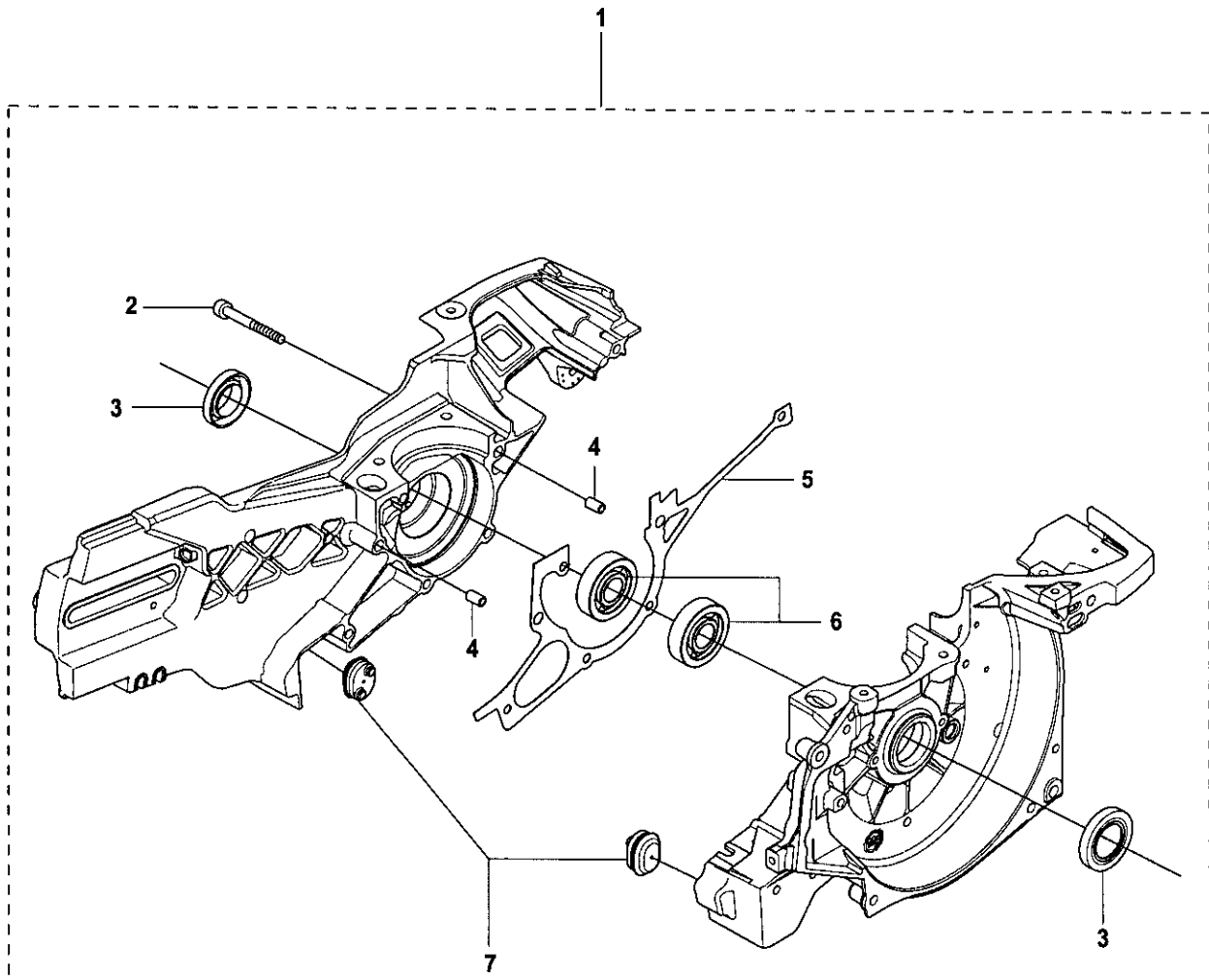
Pos.	Part No.	Description	Quantity	Notes	New Part
1	506 26 64-01	RATCHET FLANGE	1		
2	506 26 63-02	LINING	1		
3	506 26 65-01	FLANGE	1		
4	725 53 29-55	SCREW	3		
5	506 32 48-01	SUPPORT FLANGE	3		
6	506 02 87-01	FLANGE WASHER	1	Diam 105	
6	506 07 09-01	FLANGE WASHER	1	Diam 116	
7	506 37 96-20	BUSHING	1	Diam 20	
7	506 37 96-22	BUSHING	1	Diam 22,2	
7	506 37 96-25	BUSHING	1	Diam 25	
7	506 02 88-30	BUSHING	1	Diam 30,5	
8	725 53 31-55	SCREW	1		
9	506 34 46-02	HANDLE	1		
10	506 34 05-02	WHEEL GUARD ASSY	1	12". Incl. 2, 9, 10	
10	506 34 05-04	WHEEL GUARD ASSY	1	14". Incl. 2, 9, 10	
10	506 34 05-06	WHEEL GUARD ASSY	1	16". Incl. 2, 9, 10	
11	506 28 41-04	LABEL	1	12". Diam 1"	
11	506 28 41-02	LABEL	1	12". Diam 20 mm	
11	506 28 41-14	LABEL	1	14". Diam 1"	
11	506 28 41-12	LABEL	1	14". Diam 20 mm	
11	506 28 41-24	LABEL	1	16". Diam 1"	
11	506 28 41 22	LABEL	1	16". Diam 20 mm	

C K960



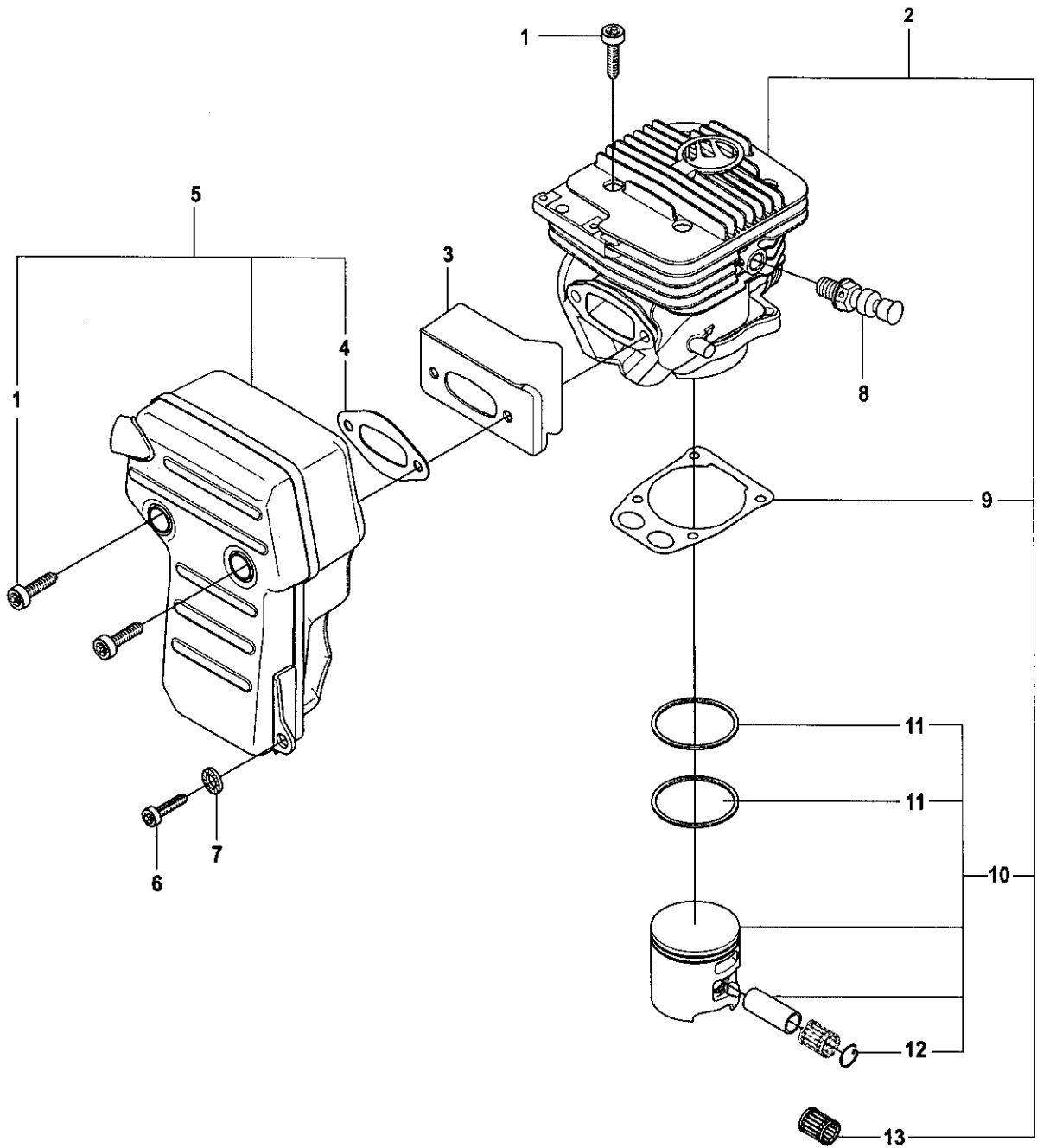
Page C
K960

Pos.	Part No.	Description	Quantity	Notes	New Part
1	544 93 31-01	LABEL	1		
2	503 21 53-21	SCREW	2		
3	544 09 65-02	BELT GUARD	1		
4	503 70 15-01	CLUTCH ASSY	1	Incl. 5	
5	503 14 51-01	CLUTCH SPRING	3		
6	505 30 24-15	NEEDLE BEARING	1		
7	506 39 30-01	WASHER	1		
8	506 37 83-02	DRIVING PULLEY ASSY	1	12", 14". Incl. 6, 7	
8	544 37 66-01	DRIVING PULLEY ASSY	1	16". Incl. 6, 7	



Page D
K960

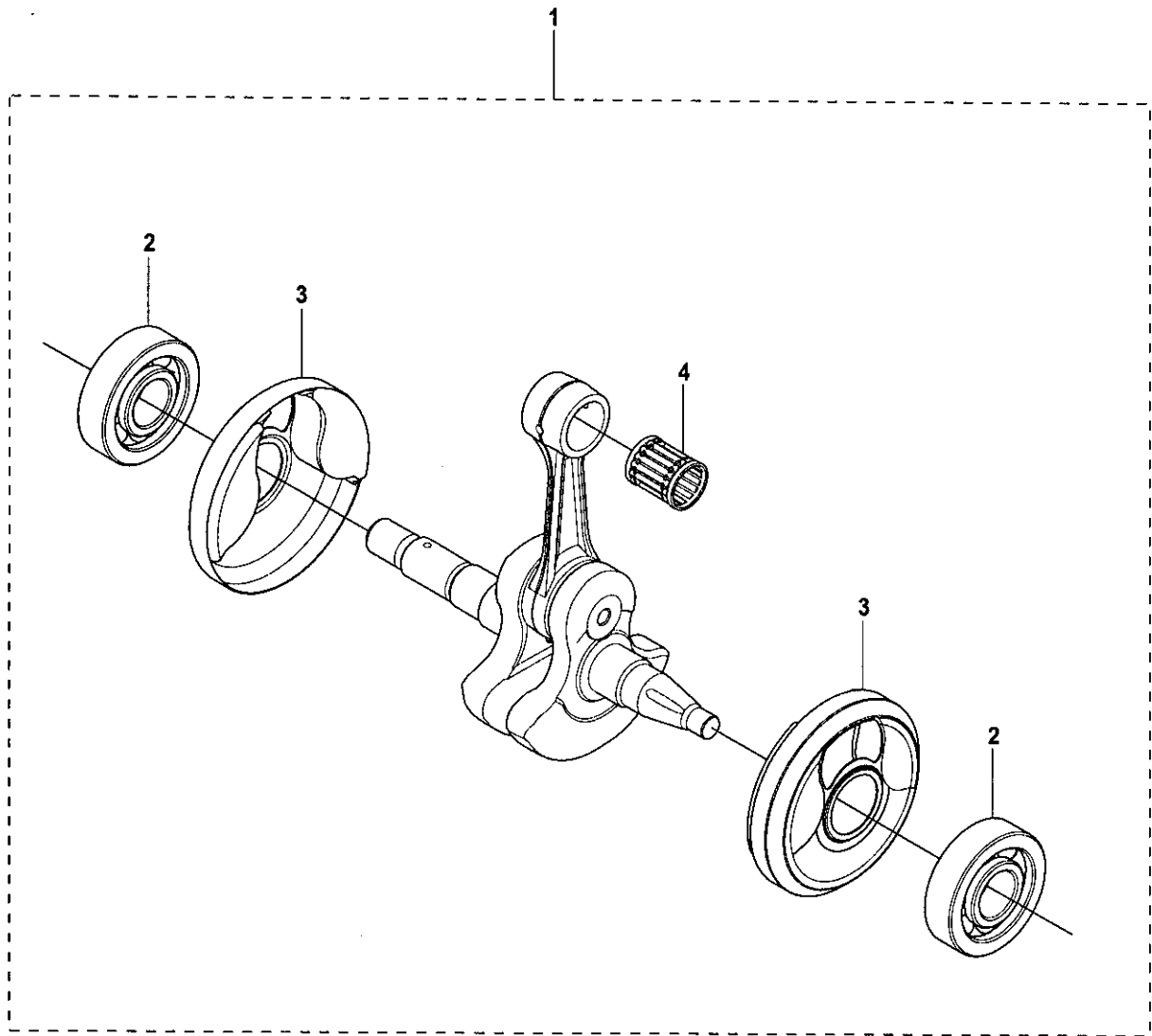
Pos.	Part No.	Description	Quantity	Notes	New Part
1	544 21 47-02	CRANKCASE ASSY	1	Incl. 2 - 8	
2	503 21 53-49	SCREW	7		
3	503 26 02-04	SEALING RING	2		
4	501 27 08-01	GUIDE BUSHING	2		
5	506 41 39-01	GASKET	1		
6	503 25 00-02	BALL BEARING	2		
7	544 89 54-01	RUBBER BUSHING	2		
8	544 22 98-01	GASKET KIT	1	Incl. 3, 5, 9, 10	
9	506 41 40-01	GASKET	1		
10	506 37 81-01	GASKET MUFFLER	1		



Page E
K960

Pos.	Part No.	Description	Quantity	Notes	New Part
1	544 21 84-01	SCREW	6		
2	544 93 56-02	CYLINDER ASSY	1	Incl. 9, 10, 13	
3	544 21 52-01	HEAT DEFLECTOR	1		
4	506 37 81-01	GASKET MUFFLER	1		
5	506 37 28-03	MUFFLER	1	Incl. 1, 4	
6	503 21 53-25	SCREW	1		
7	503 23 04-02	WASHER	1		
8	503 66 56-01	DECOMPRESSION VALVE	1		
9	506 41 40-01	GASKET	1		
10	506 41 32-02	PISTON	1	Incl. 11, 12	
11	503 28 90-35	PISTON RING	2		
12	737 44 13-00	CIRCLIP	2		
13	503 25 61-01	NEEDLE BEARING	1		

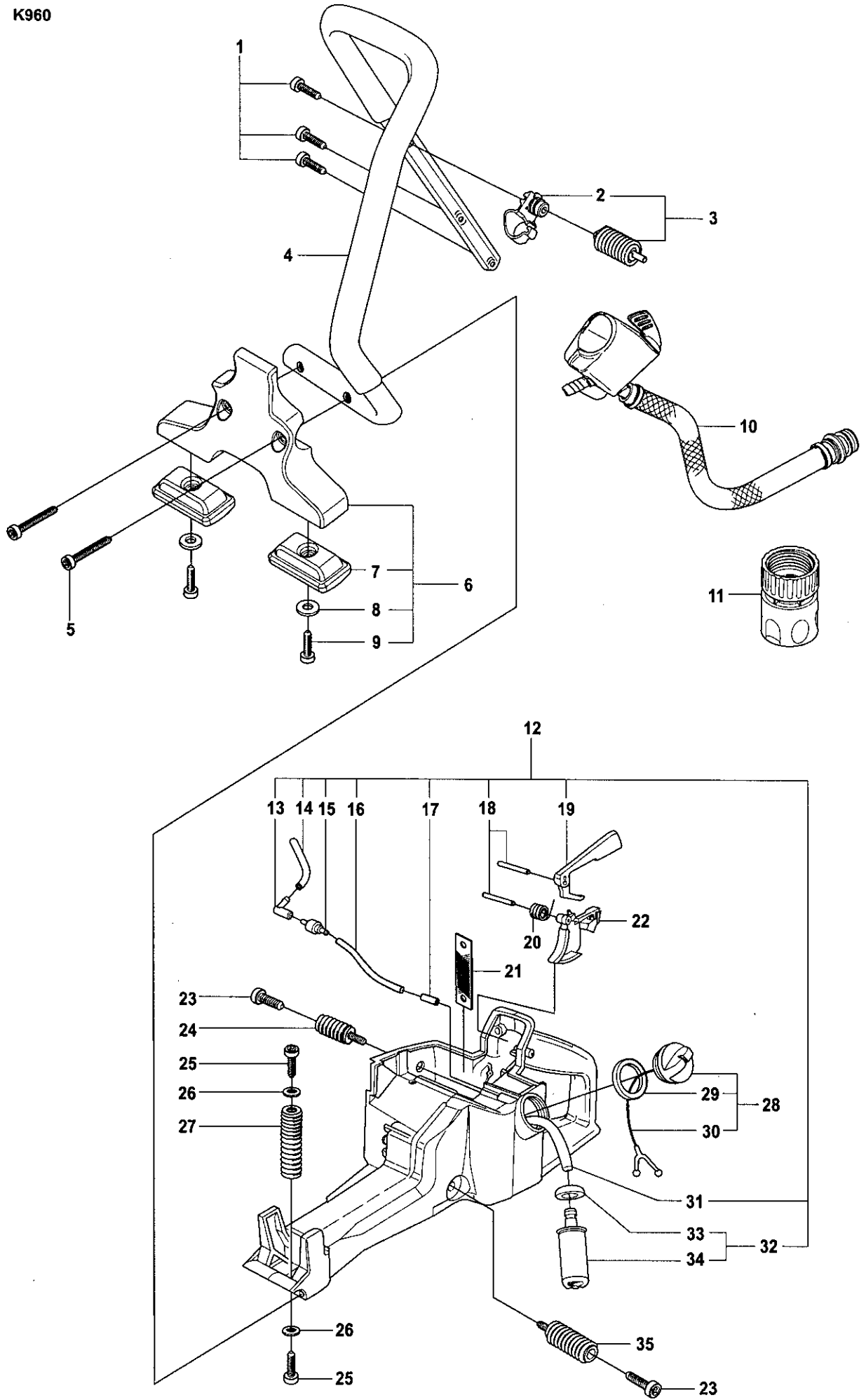
F K960



Page F
K960

Pos.	Part No.	Description	Quantity	Notes	New Part
1	544 98 39-01	CRANKSHAFT ASSY	1	Incl. 2 - 4	
2	503 25 00-02	BALL BEARING	2		
3	506 41 44-01	CUP	2		
4	503 25 61-01	NEEDLE BEARING	1		

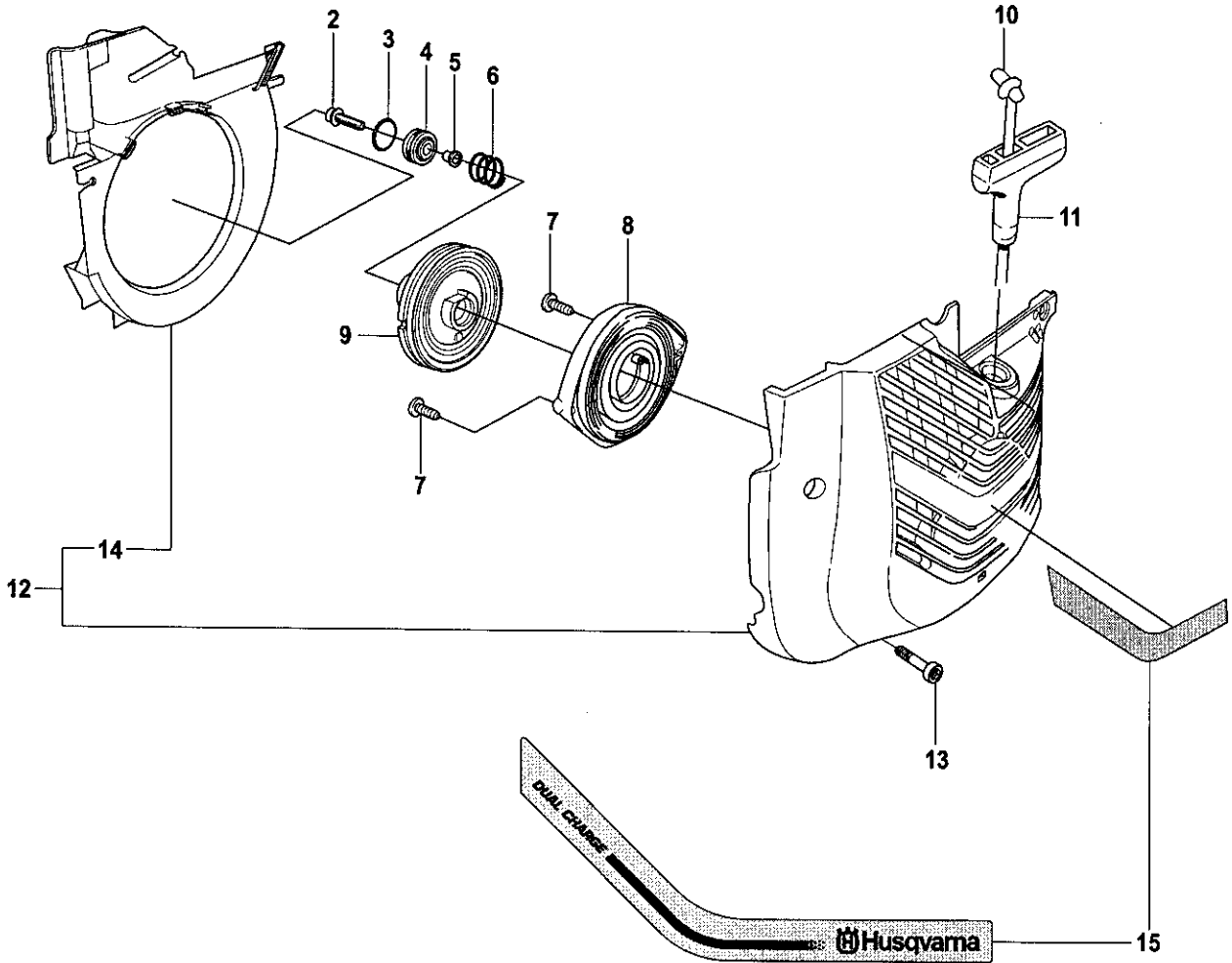
G K960



Page G
K960

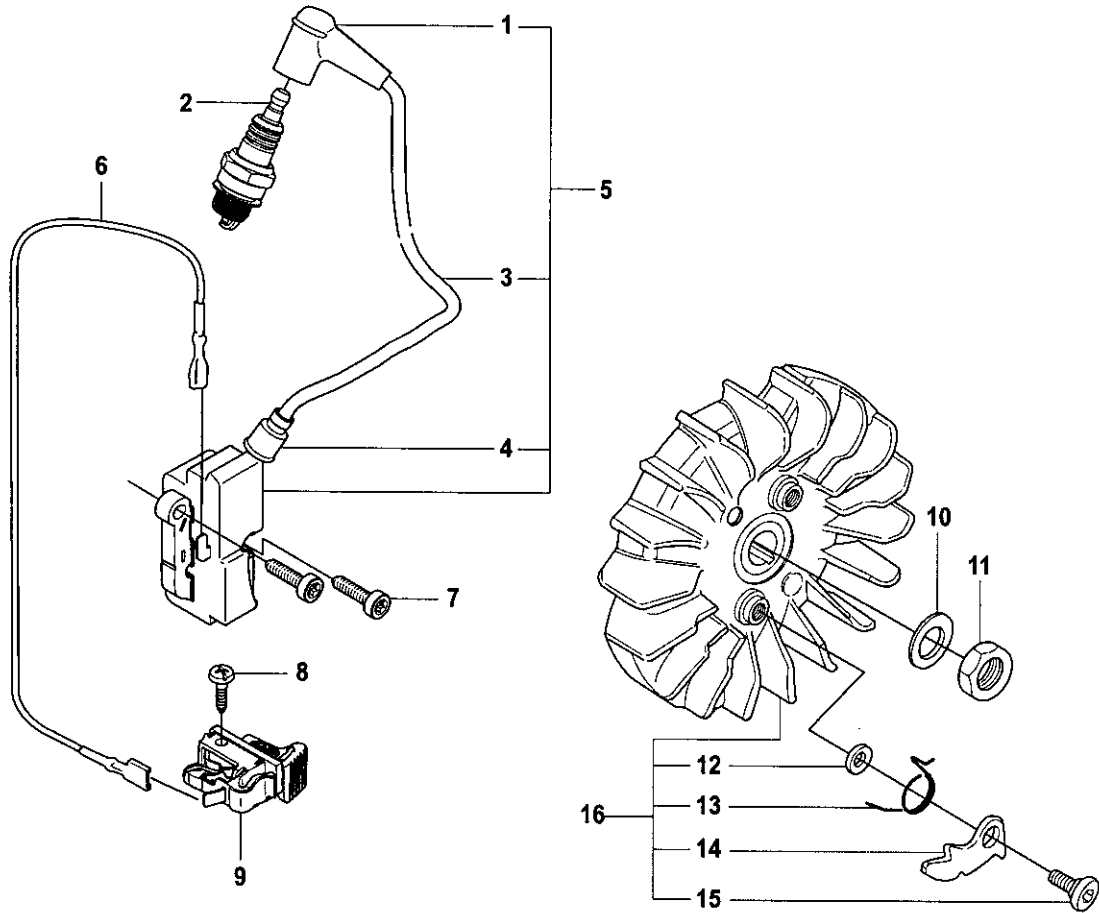
Pos.	Part No.	Description	Quantity	Notes	New Part
1	503 21 54-20	SCREW	3		
2	544 02 08-02	SPRING RETAINER	1		
3	506 38 91-03	VIB.INSULATOR	1	Incl. 2	
4	544 45 68-01	HANDLE	1		
5	503 21 54-45	SCREW	2		
7	544 81 16-01	BASE GROUND SUPPORT	2		New Part
8	734 11 47-41	WASHER	2		New Part
9	503 21 53-12	SCREW	2		New Part
10	506 38 59-04	HOSE	1		
11	503 26 60-02	COUPLER	1		
12	544 89 20-06	FUEL TANK	1	Incl. 13 - 19, 28, 32	
13	503 45 46-01	CONNECTION BEND	1		
14	501 76 83-05	FUEL HOSE	1		
15	506 23 61-01	TANK VENT	1		
16	544 32 49-32	FUEL HOSE	1		
17	506 28 95-01	NIPPLE	1		
18	720 12 40-20	PARALLEL PIN	2		
19	506 22 28-02	THROTTLE LOCKOUT	1		
20	506 22 29-01	SPRING THROTTLE TRIG	1		
21	544 23 82-01	BAND	1		
22	506 22 27-03	THROTTLE TRIGGER	1		
23	544 06 12-01	SCREW	1		
24	537 21 03-09	ANTIVIB ELEMENT	1		
25	503 21 53-16	SCREW	2		
26	503 23 00-11	WASHER STEEL	2		
27	503 46 85-01	ANTIVIB ELEMENT	1		
28	506 25 59-03	TANK CAP ASSY	1	Incl. 29, 30	
29	506 29 21-01	GASKET	1		
30	503 57 89-01	TANK CAP HOLDER	1		
32	506 26 41-11	FUEL FILTER	1	Incl. 33, 34	
31	544 32 50-02	FUEL HOSE	1		
33	506 27 11-01	HOSE CLAMP	1		
34	506 26 41-01	FUEL FILTER	1		
35	544 38 31-02	SPRING	1		

1



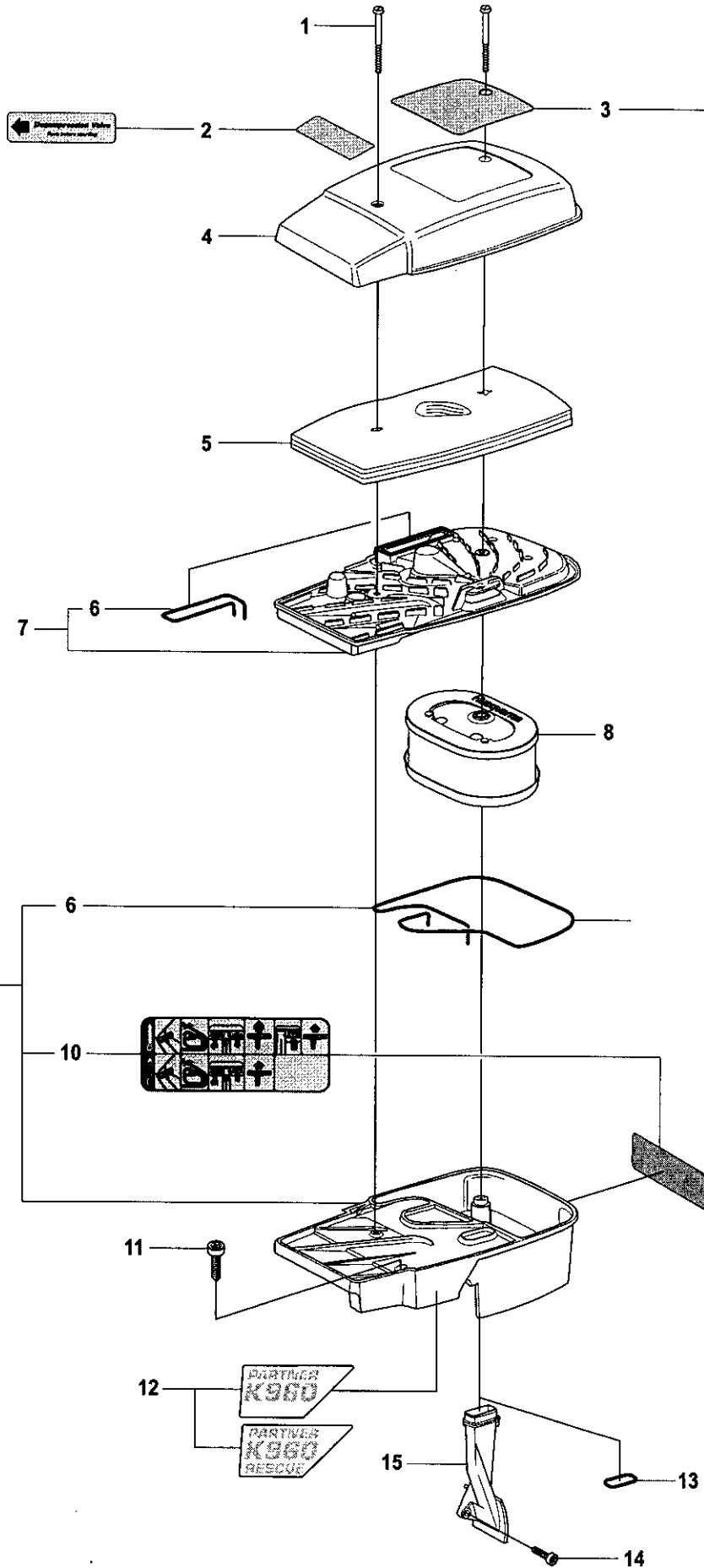
Page H
K960

Pos.	Part No.	Description	Quantity	Notes	New Part
1	506 23 59-13	STARTER	1	Incl. 2 - 15	
2	503 21 07-22	SCREW	1		
3	740 43 13-00	O-RING	1		
4	506 25 14-01	GROMMET	1		
5	506 26 31-01	SPACING SLEEVE	1		
6	506 25 30-01	COMPRESSION SPRING	1		
7	503 21 28-10	SCREW	2		
8	506 25 89-01	RECOIL SPRING	1		
9	506 25 81-02	STARTER PULLEY	1		
10	506 33 56-15	STARTER CORD	1		
10	506 33 56-50	STARTER CORD	1	50 m Coil	
11	503 12 79-01	STARTER HANDLE	1		
12	506 33 72-04	STARTER COVER	1	Incl. 14	
13	503 21 53-21	SCREW	4		
14	544 28 75-01	COOLING AIR CONDUCTOR	1		
15	506 27 23-03	LABEL	1		

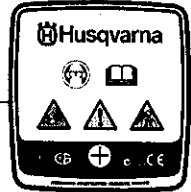


Page J
K960

Pos.	Part No.	Description	Quantity	Notes	New Part
1	501 48 54-02	SPARK PLUG CAP	1		
2	503 23 51-09	SPARK PLUG	1	RCJ 6Y	
3	506 38 78-34	IGNITION CABLE	1		
4	505 27 75-16	INSULATING CAP	1		
5	544 04 75-03	IGNITION MODULE	1	Incl. 1, 3, 4	
6	501 83 98-01	CABLE	1		
7	503 21 53-20	SCREW	2		
8	503 21 28-06	SCREW	1		
9	506 31 86-02	STOP SWITCH	1		
10	503 23 01-01	WASHER STEEL	1		
11	503 22 10-11	NUT	1		
12	503 23 00-42	WASHER STEEL	2		
13	501 63 48-01	SPRING	2		
14	501 67 32-03	PAWL	2		
15	501 81 99-01	SCREW	2		
16	506 27 27-02	FLYWHEEL	1	Incl. 12 - 15	



← **Partnerschaft**
Partnerschaft

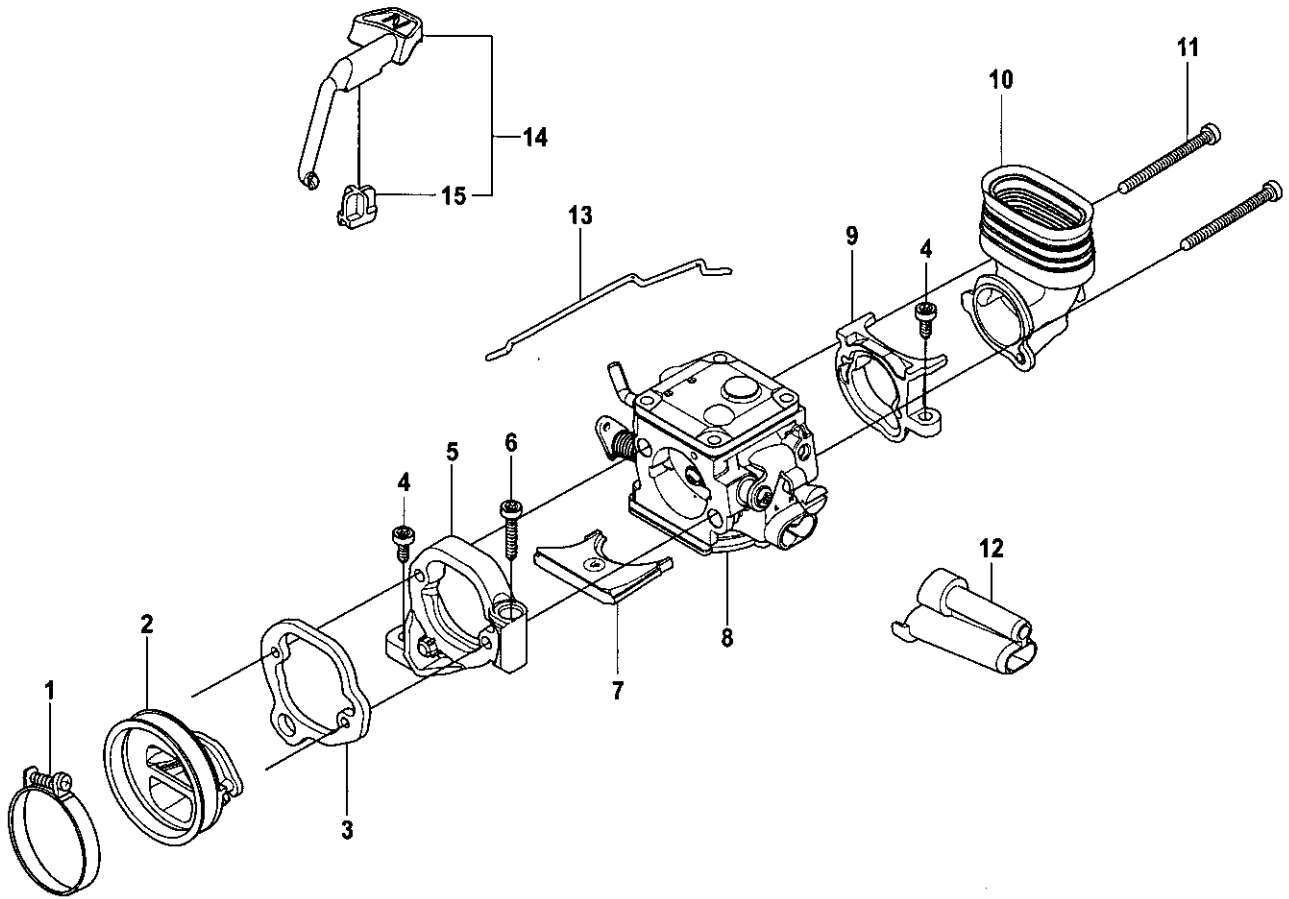


Page K
K960

Pos.	Part No.	Description	Quantity	Notes	New Part
1	503 21 53-49	SCREW	2		
2	544 87 46-01	LABEL	1		
3	544 87 44-02	LABEL	1	CE	
3	544 87 44-04	LABEL	1	EPA USA	
3	544 87 44-05	LABEL	1	EPA Canada	
4	506 22 17-02	AIR FILTER COVER	1		
5	506 23 19-01	PREFILTER	1		
6	506 28 39-30	SEALING	2		
7	506 22 18-15	FILTER BOTTOM	1	Incl. 6	
8	506 34 70-02	AIR FILTER	1		
9	544 89 14-04	CYLINDER COVER ASSY	1	Incl. 6, 10	
10	506 24 39-02	LABEL	1		
11	503 21 53-30	SCREW	3		
12	544 89 07-05	LABEL	1		
12	544 89 07-06	LABEL	1	Rescue	
13	740 48 20-03	O-RING	1		
14	501 98 10-01	SCREW	1		
15	506 22 94-01	AIR NOZZLE	1		

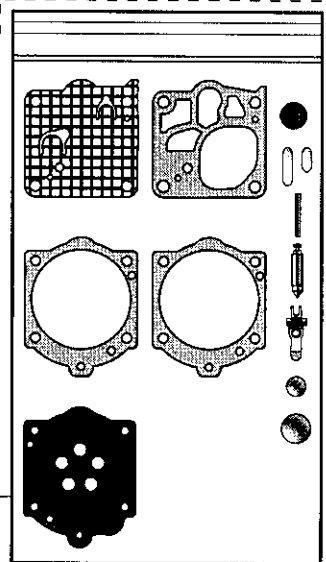
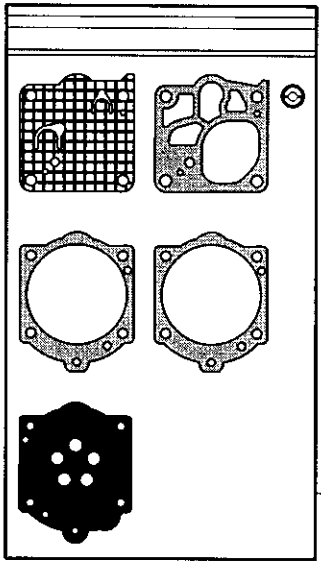
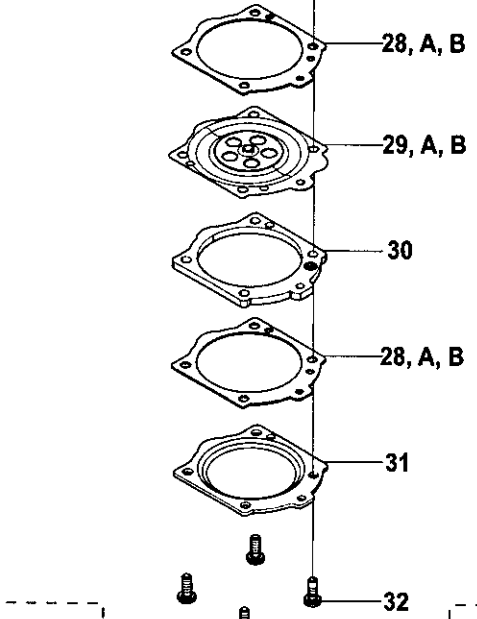
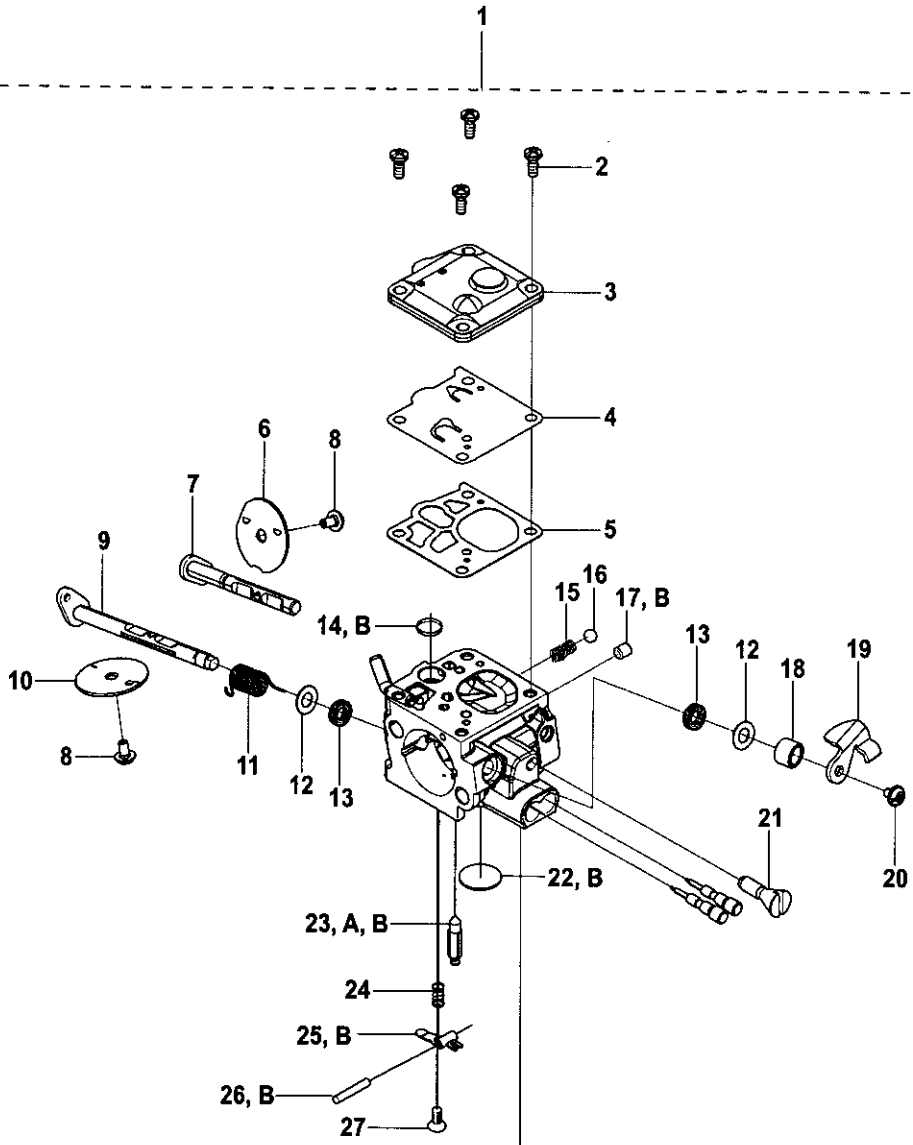


K960



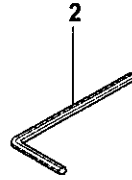
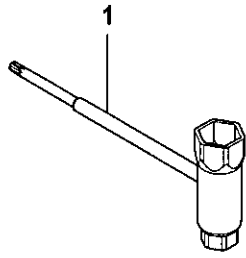
Page L
K960

Pos.	Part No.	Description	Quantity	Notes	New Part
1	503 56 00-08	HOSE CLAMP	1		
2	506 41 41-01	INLET PIPE	1		
3	544 15 01-01	FLANGE	1		
4	503 21 53-16	SCREW	2		
5	544 11 39-01	CONSOLE	1		
6	503 21 53-30	SCREW	1		
7	506 41 42-01	PLATE	1		
8	502 62 32-01	CARBURETTOR	1	Walbro RWJ-2	New Part
9	544 11 17-01	FLANGE	1		
10	544 33 19-01	INLET BEND	1		
11	501 97 18-01	SCREW	2		
12	544 23 26-01	CHISEL GUIDE	1		
13	504 05 47-01	THROTTLE ROD	1		
14	506 23 20-11	CHOKE	1	Incl. 15	
15	506 27 25-01	WEAR PROTECTION	1		

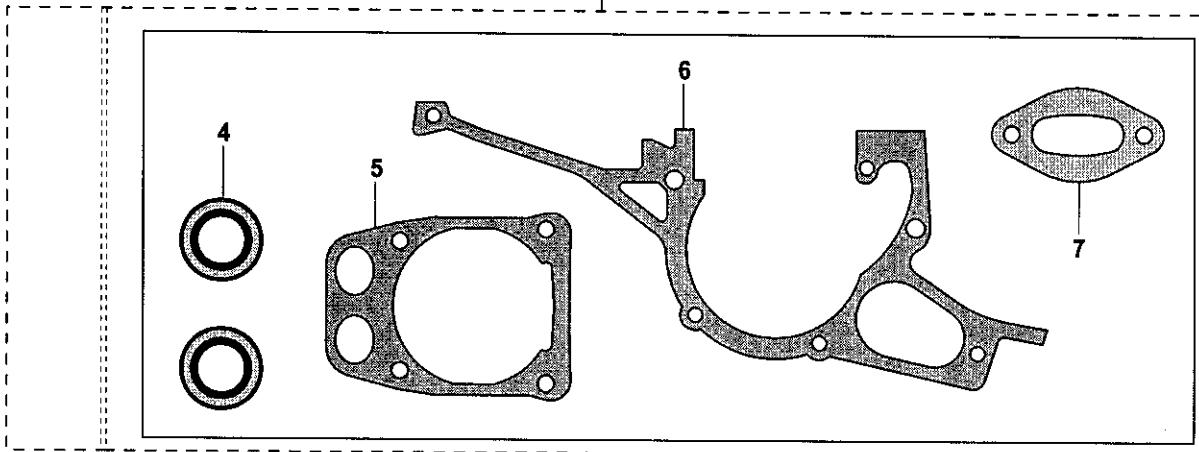


Page M
K960

Pos.	Part No.	Description	Quantity	Notes	New Part
1	502 62 32-01	CARBURETTOR	1	Incl. 2 - 32	New Part
2	503 11 75-01	SCREW-PUMP COVER	4		
3	544 89 62-01	PUMP COVER	1		
4	544 89 72-01	DIAPHRAGM PUMP	1	A, B	
5	503 11 72-01	GASKET-PUMP	1	A, B	
6	504 13 52-01	VALVE	1		
7	544 89 67-01	SHAFT	1		
8	544 11 15-01	SCREW	2		
9	544 89 64-01	SHAFT	1		
10	504 13 53-01	VALVE	1		
11	544 95 68-01	SPRING	1		
12	505 31 67-48	WASHER	2		
13	503 56 45-01	SEAL-THROTTLE SHAFT	2		
14	501 66 61-01	SCREEN-INLET	1	B	
15	503 11 77-01	SPRING-CHOKE FRICT.	1		
16	503 11 71-01	BALL-CHOKE FRICTION	1		
17	530 03 51-57	PLUG	1		
18	537 00 26-01	SPACER	1		
19	544 89 60-01	LEVER	1		
20	501 46 87-01	SCREW	1		
21	544 89 76-01	SCREW	1		
22	503 57 41-01	PLUG-WELCH	1		
23	503 63 25-01	VALVE -INLET NEEDLE	1	A, B	
24	503 11 76-01	SPRING-METER.LEVER	1		
25	505 31 67-34	LEVER-METERING	1	B	
26	505 31 67-31	PIN-METERING LEVER	1	B	
27	505 31 67-17	SCREW-LEVER PIN	1		
28	544 89 71-01	GASKET	2	A, B	
29	544 89 74-01	DIAPHRAGM ASSY	1	A, B	
30	544 89 79-01	PLATE	1		
31	544 89 63-01	COVER	1		
32	537 00 20-01	SCREW	4		
33	502 44 58-01	GASKET KIT	1	Kit A. D10-RWJ	
34	502 44 59-01	REPAIR KIT	1	Kit B. K10-RWJ	



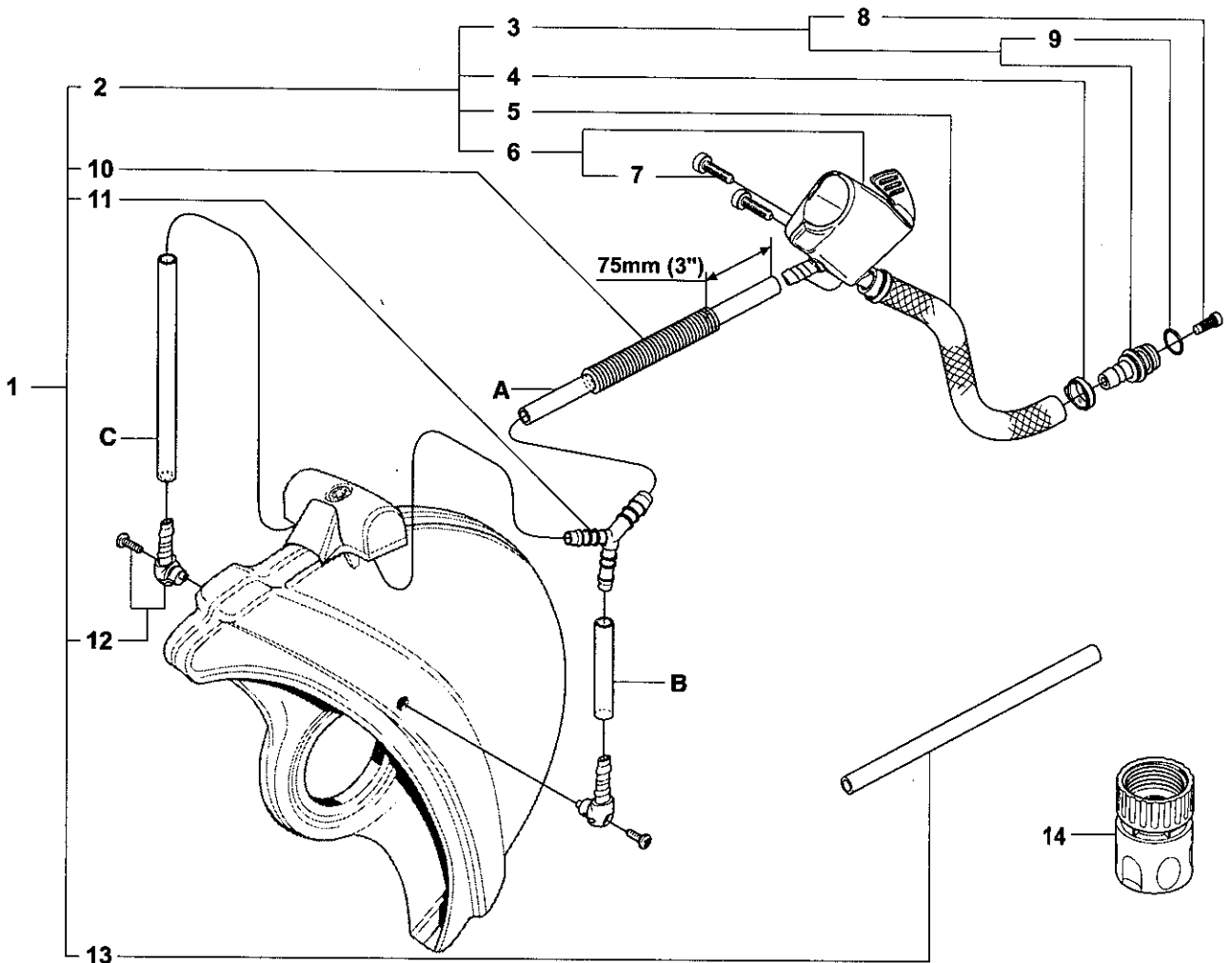
3



Page N
K960

Pos.	Part No.	Description	Quantity	Notes	New Part
1	506 38 26-01	COMBINATION TOOL	1	Torx 27	
2	502 21 58-01	L-SPANNER	1	4 mm	
3	544 22 98-01	GASKET KIT	1	Incl. 4, 5, 6, 7	
4	503 26 02-04	SEALING RING	2		
5	506 41 40-01	GASKET	1		
6	506 41 39-01	GASKET	1		
7	506 37 81-01	GASKET MUFFLER	1		

P K960



Product		A (mm)	B (mm)	C (mm)
K960	12"	240	240	45
	14"	240	280	45
	16"	270	360	45

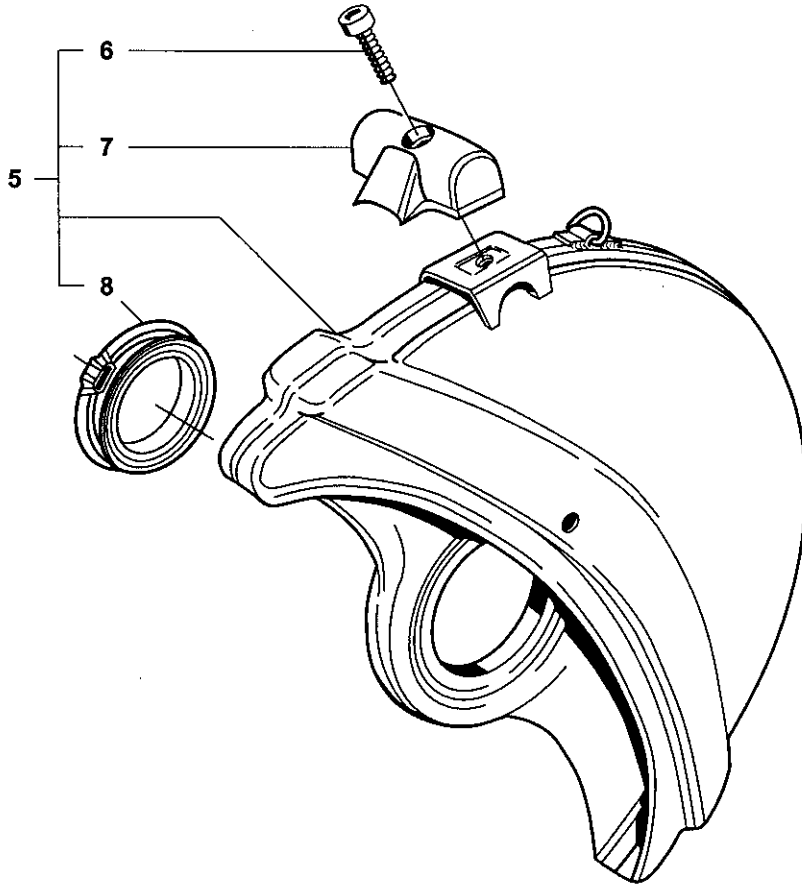
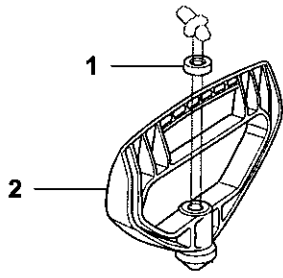
Page P
K960

Pos.	Part No.	Description	Quantity	Notes	New Part
1	544 00 31-02	WATER HOSE KIT	1	12", 14". Incl. 2, 10 - 13	
1	544 00 31-05	WATER HOSE KIT	1	16". Incl. 2, 11 - 13	
2	506 38 59-04	HOSE	1	Incl. 3 - 6	
3	506 29 57-02	NIPPLE	1	Incl. 7	
4	506 09 56-06	HOSE CLAMP	2		
5	506 09 75-02	HOSE	1	L=230 mm	
6	506 38 60-12	VALVE ASSY	1	Incl. 7	
7	503 21 54-20	SCREW	2		
8	506 29 88-01	FILTER	1	Incl. 9	
9	503 26 30-21	O-RING	1		
10	506 35 27-01	PROTECTIVE SPRING	1	16" only	
11	506 29 56-01	NIPPLE	2		
12	506 32 87-01	Y-TUBE	1		
13	506 09 58-24	HOSE	1	800 mm	
14	503 26 60-02	COUPLER	1		

Q K960

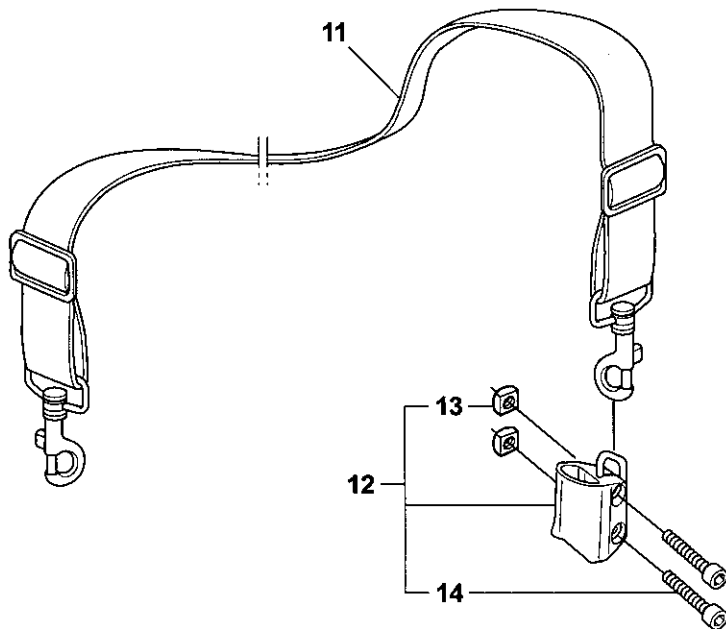
**K12 FD
FIRE-RESCUE**

Rescue



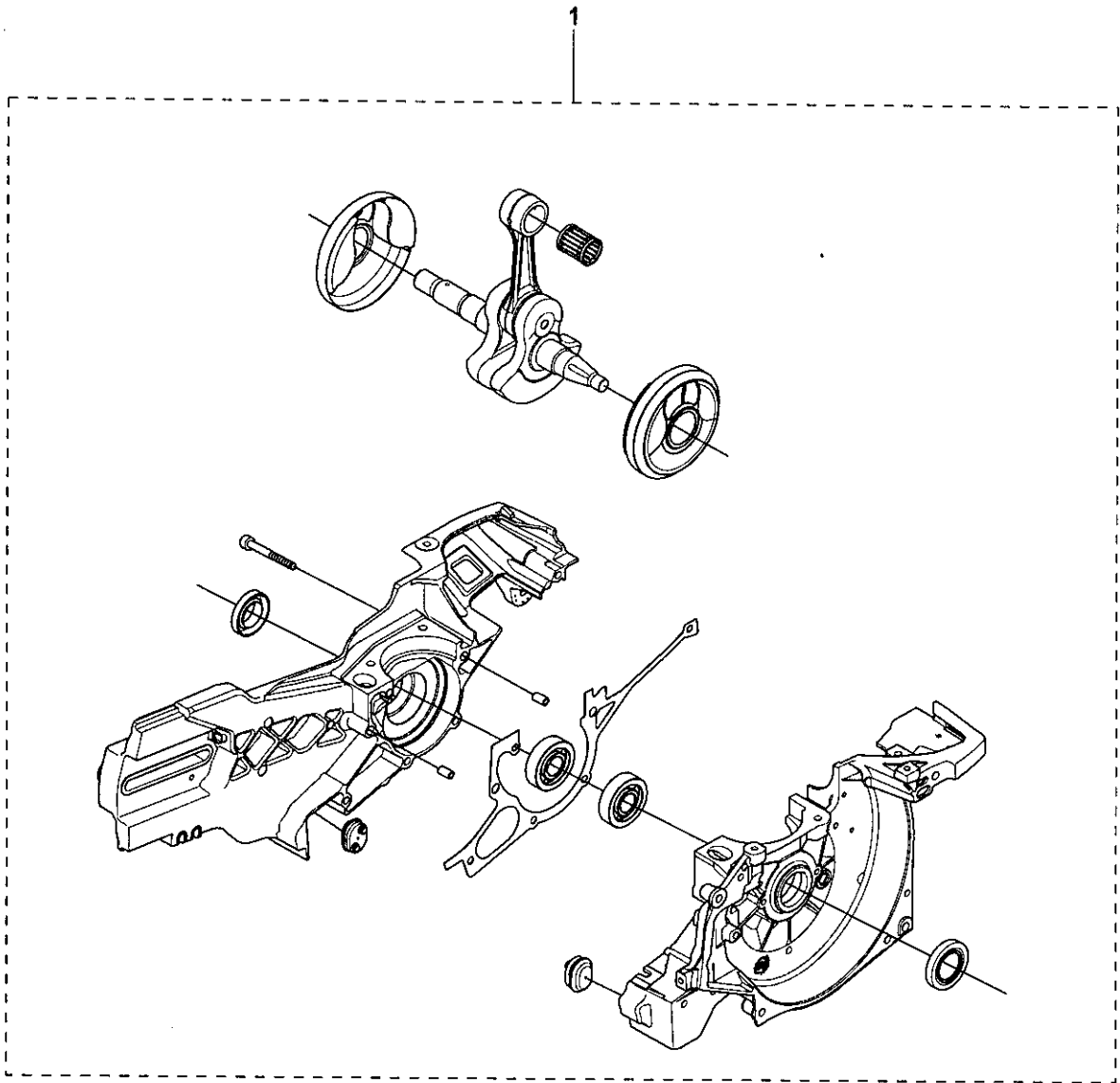
9 - Husqvarna Rescue
max 9100 rpm
#25.4 (#1"), #300 (#12")

10 - **ATTENTION**
The product has been certified for use by
Husqvarna for rescue personnel only.



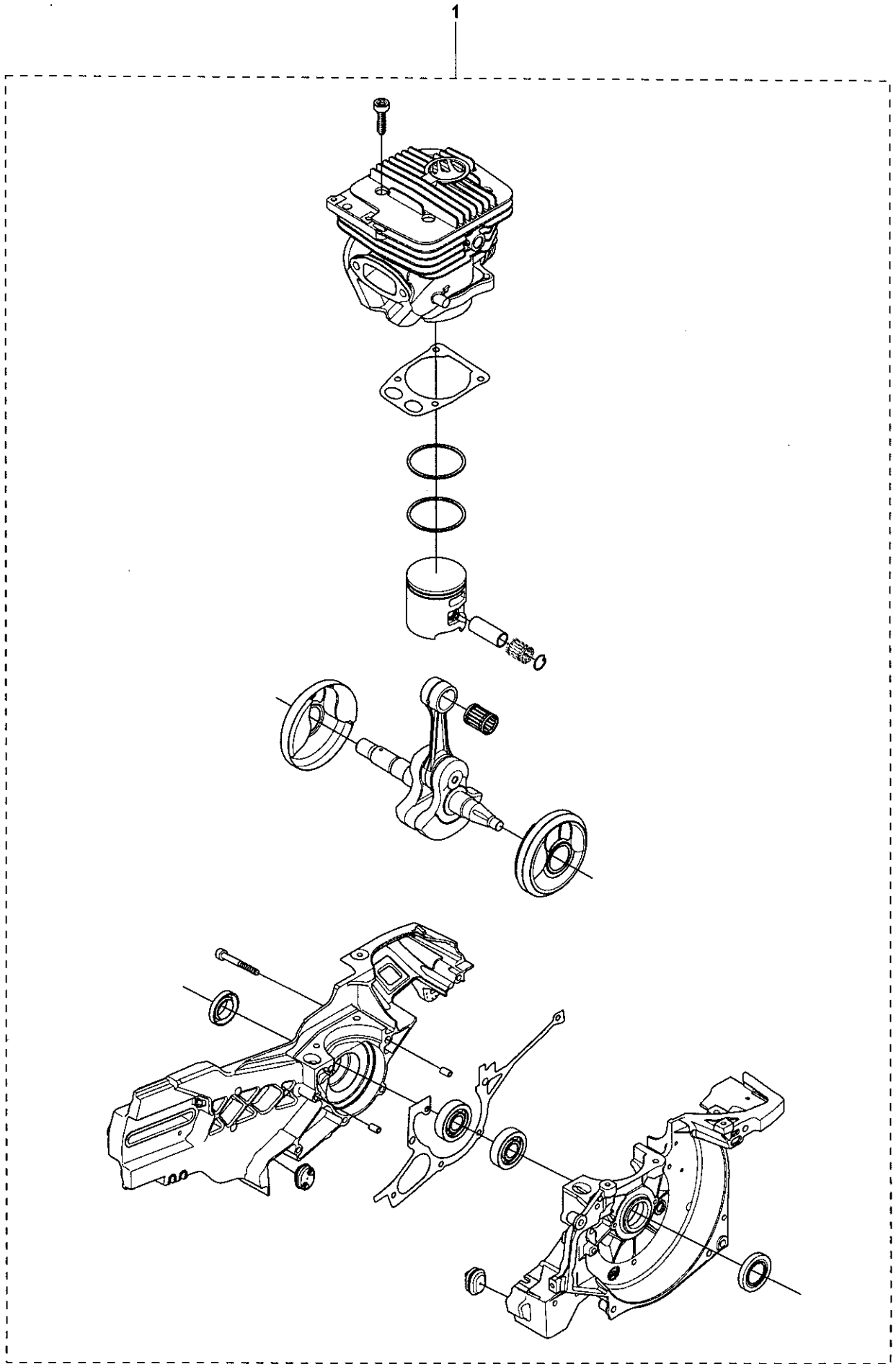
Page Q
K960

Pos.	Part No.	Description	Quantity	Notes	New Part
1	503 14 29-02	WASHER	1		
2	506 29 75-02	STARTER HANDLE	1		
3	506 32 20-02	LABEL	1		
4	506 30 23-02	LABEL	1		
5	506 34 05-24	WHEEL GUARD ASSY	1	Rescue 14". Incl. 6 - 8	
5	506 34 05-28	WHEEL GUARD ASSY	1	Rescue 12". Incl. 6 - 8	
6	725 53 31-55	SCREW	1		
7	506 34 46-02	HANDLE	1		
8	506 26 63-02	LINING	2		
9	544 89 06-01	LABEL	1	14"	
9	544 89 06-03	LABEL	1	12"	
10	506 32 22-02	LABEL	1		
11	506 29 76-01	SHOULDER STRAP	1		
12	506 30 25-05	BRACKET	1	Incl. 13, 14	
13	503 22 65-04	NUT	2		
14	503 21 53-12	SCREW	2		



Page R
K960

Pos.	Part No.	Description	Quantity	Notes	New Part
1	544 21 47-03	CRANKCASE CPL.	1		



Page S
K960

Pos.	Part No.	Description	Quantity	Notes	New Part
1	544 21 47-04	CRANKCASE CPL	1		