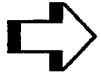




# LEISTER Triac S Hot Air Blower



Order No. 1G3, 1G4

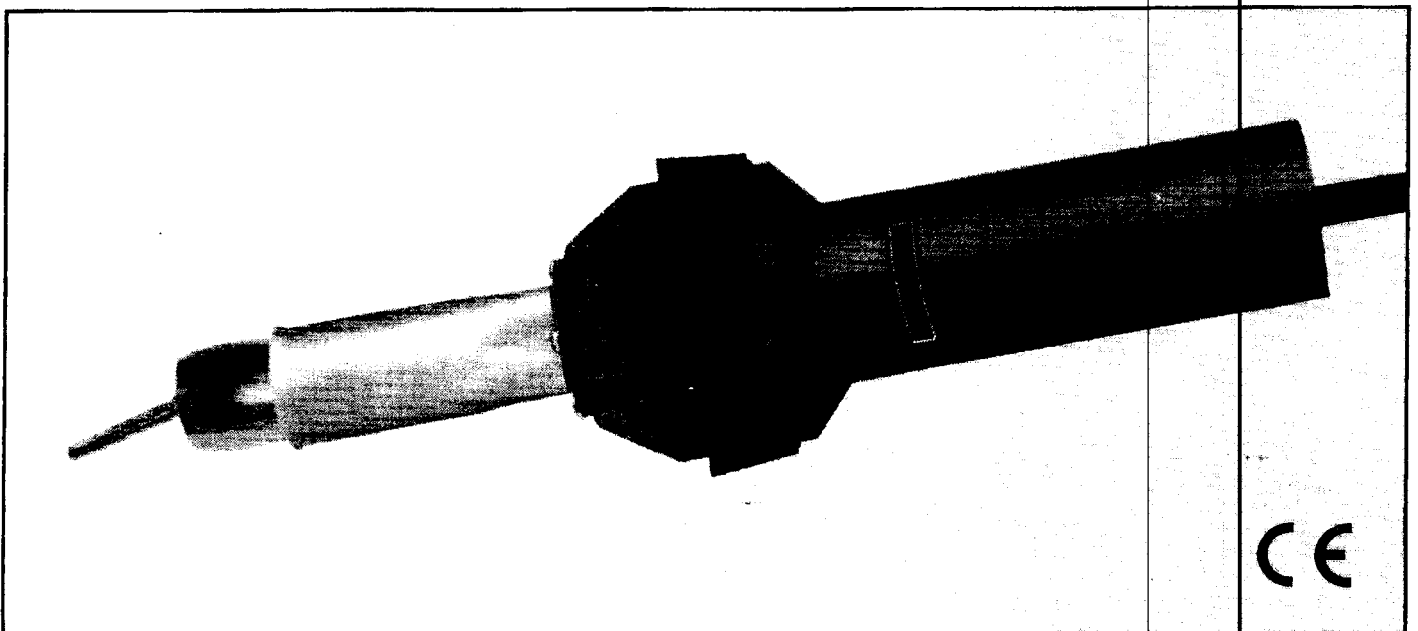


Read operating instructions carefully before use and keep it for further reference.



## APPLICATION

- **Welding** of thermoplastic materials as well as single-ply flexible plastics and modified bitumen in the form of boards, tubes, profiles, lining membranes, coated materials, films, foams, tiles, and sheets. The following procedures are possible: overlap welding, welding with rod, with tape, butt welding and melt welding
- **Heating-up** for forming, bending and sealing of thermoplastic semi-finished materials and plastic granules
- **Drying** of water-damp surfaces
- **Shrinking** of heat-shrink sleeves, films, tapes, solder sleeves, pre formed and moulded parts
- **Soldering** of copper pipes, solder joints and metal foils
- **Defrosting** of frozen water pipes
- **Activating/dissolving** of solvent free adhesives and fusion adhesives
- **Igniting** of wood shavings, paper, coal or straw in furnaces





## WARNING



**Danger to life** when opening the tool, as live components and connections are exposed. Unplug the tool before opening it.



Incorrect use of hot air blowers can cause **fire and explosion hazard**, especially near combustible materials and explosive gases.



Do not touch the element housing and nozzle when they are hot as they can cause **burns**. Let the tool cool down. Do not point hot air flow in the direction of people or animals.



## CAUTION



The **voltage rating** stated on the tool must correspond to the line/mains voltage.



For personal protection on building sites we strongly recommend the tool be connected to a **GFCI** (Ground Fault Circuit Interrupter) or a **RCCB** (Residual Current Circuit Breaker).



The tool must be operated **with supervision**. Heat can reach combustible materials, which are out of sight.



Protect tool from **damp** and **wet**.

## APPROVAL MARKS



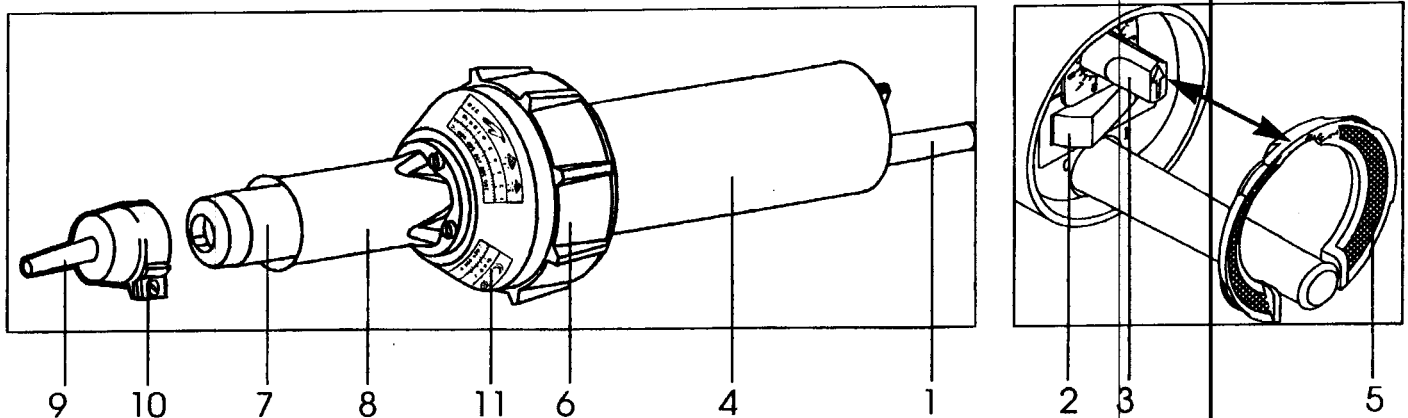
This tool is **CCA** certified (CENELEC Certification Agreement).

## TECHNICAL DATA

Electrical safety:  **DOUBLE INSULATED**

Voltage	V~	42, 100, 120, 200, 230, for 50/60 Hz	
Power consumption	W	960, 1400, 1600, 1400, 1600	Line/mains voltage cannot be switched over
Temperature	°C	20 - 700, infinitely controlled	
Air flow	l/min.	max. 230	
Air pressure	Pa	3000 (30 mbar) after about 24 h operating time	
Weight	kg	1,3 with 3m cord	
Size	mm	Ø 100 x 330 Handle Ø 56	

Description of the tool



- |   |                         |
|---|-------------------------|
| 1. Power cord                               | 6. Rubber stand         |
| 2. Main switch                              | 7. Adapter tube         |
| 3. Potentiometer for temperature adjustment | 8. Heat protection tube |
| 4. Handle                                   | 9. Nozzle               |
| 5. Air filter                               | 10. Screw on the clamp  |
|   | 11. Temperature scale   |

Readiness for working

- Fit appropriate nozzle as required.
- Connect tool to the line/mains.
- Adjust the hot air temperature by using the **potentiometer (3)**. Standard values see **temperature scale 11**.
- Switch on **main switch (2)** and heat up the tool for approximately 5 minutes.

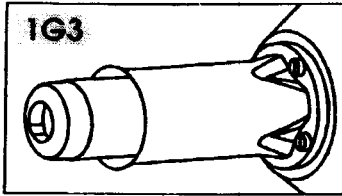
Operation

- The LEISTER company as well as the Service Centers offer free training courses and advice in all areas of application (see page 1).
- Cool down the tool after use.

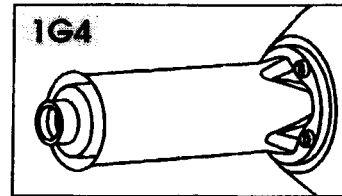
Change of nozzles

- Before changing nozzles cool down the tool or use only pliers/wrench.
- Do not touch hot **nozzle (9)** and make sure to place it on a heat resistant surface, because of fire hazard.
- Triac S 1G3 – Push the **nozzle (9)** on the **adapter tube (7)** and secure the nozzle by the **screw on the clamp (10)**.
- Triac S 1G4 – Screw the **nozzle (9)** and secure by wrench.
- Use LEISTER nozzles only.

## VERSIONS



Adapter tube with heat protection tube for LEISTER **push-fit nozzles**



Adapter tube with heat protection tube for LEISTER **screw-on nozzles**

## ACCESSORIES

- LEISTER Triac S is fitted with a standard nozzle.
- Use LEISTER accessories only.

## MAINTENANCE

- Clean polluted **air filter (5)** with a small brush or replace it.
- Clean welding nozzle with a steel brush.

## SERVICE AND REPAIRS

- By minimal length of the carbon-brushes the motor switch off automatically. Tool have to checked by your Service Center. The life of the brushes are about 1600 running hours of the welding tool's motor.
- Repairs have to be carried out by authorized **LEISTER Service Centers** only. They guarantee a workmanlike and reliable **repair service within 24 hours** according to schemes and original spare parts lists.

## WARRANTY AND LIABILITY

- Warranty and liability are granted according to the LEISTER General Conditions of Business and Terms of Delivery and the guarantee certificate.

**Your authorized Service Center is:**