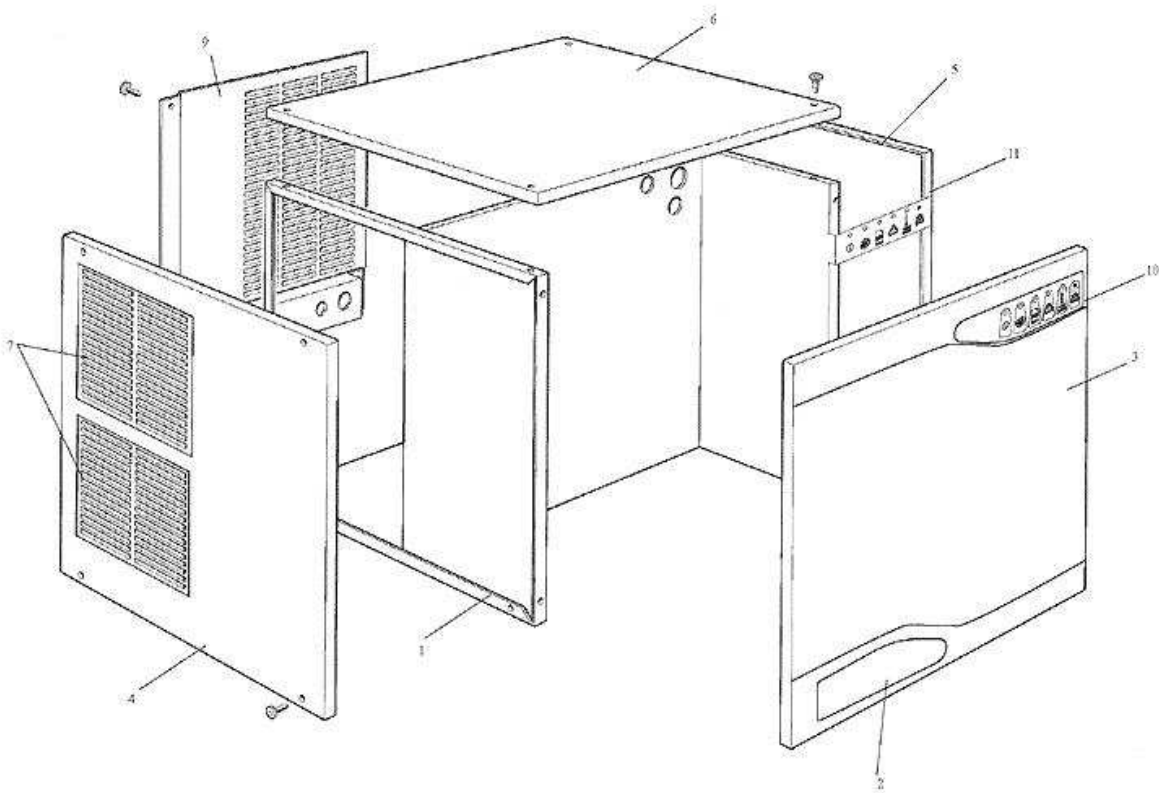
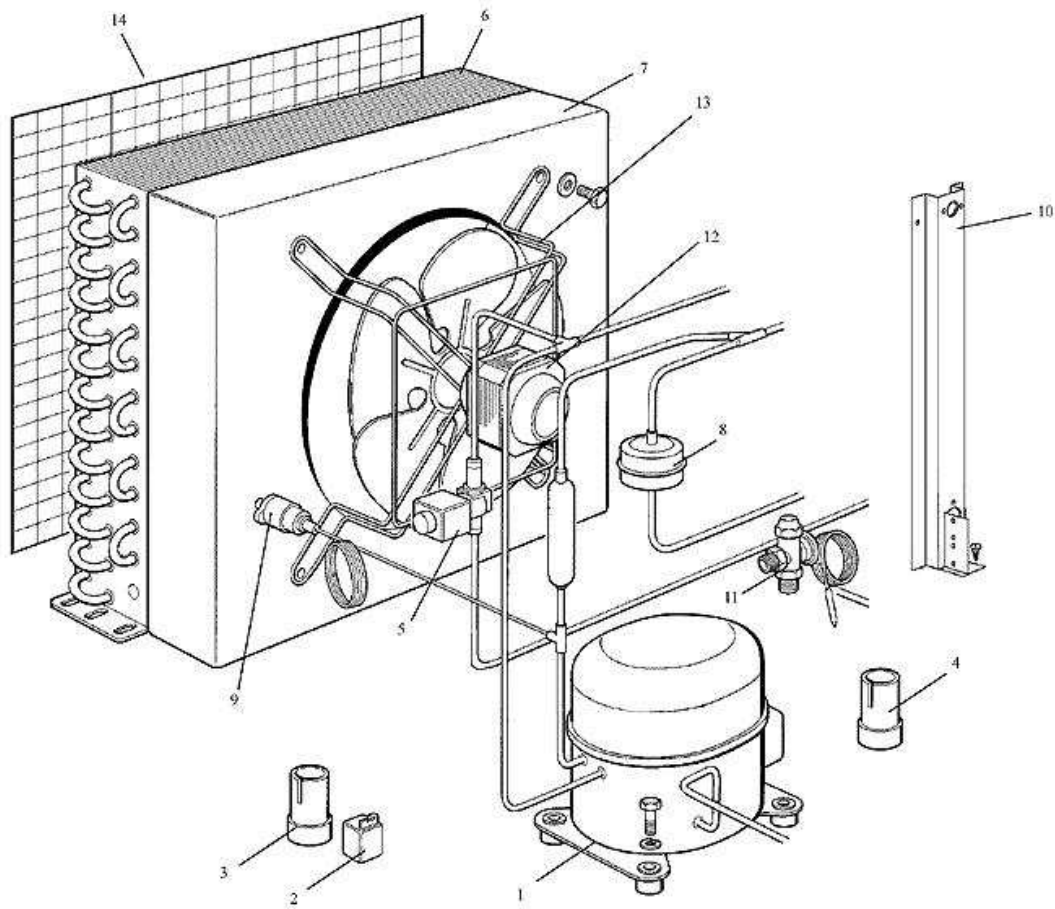


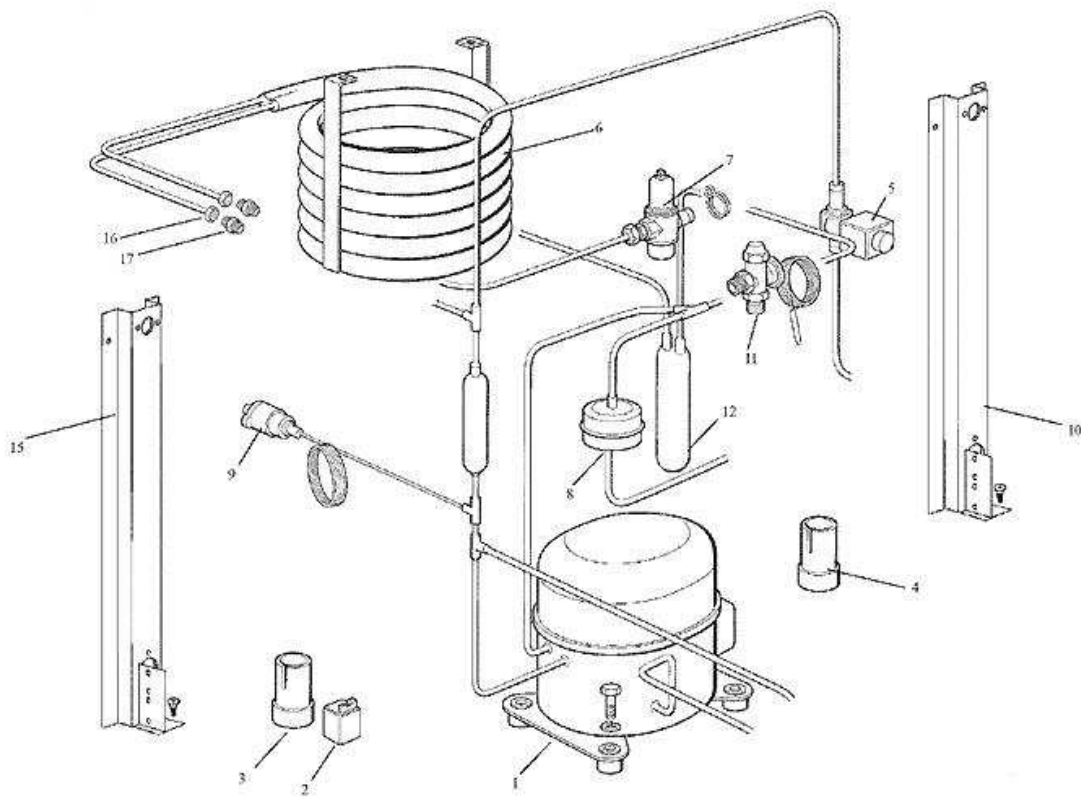
- 1 CABINET ASSY
- 2 REFRIGERANT SYSTEM AIR COOLED
- 3 REFRIGERANT SYSTEM WATER COOLED
- 4 ICE MAKING SYSTEM
- 5 P.C. BOARD AND SENSORS ASSY



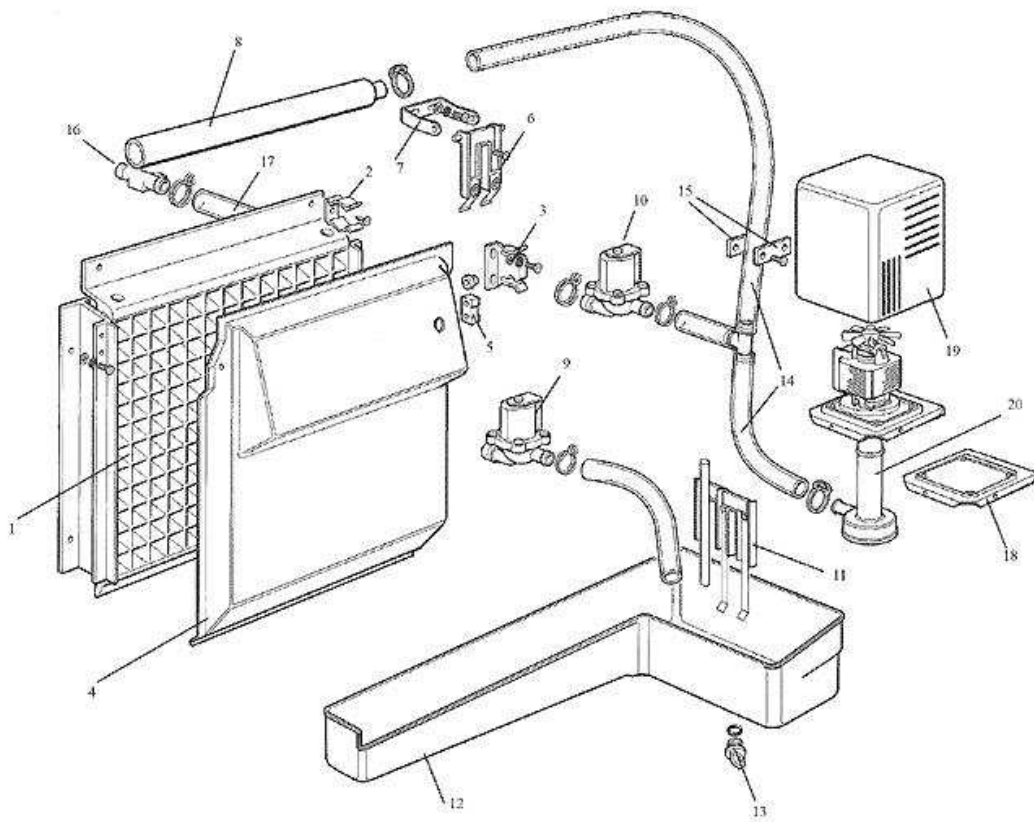
Pos	Code	Description
0001	CM 81453686	UNIT FRAME
0002	CM 19262789	LABEL MV 300
0003	CM 81454460	FRONT PANEL ASSY
0004	CM 25330790	PANEL, LEFT SIDE
0005	CM 25330788	PANEL, RIGHT SIDE
0006	CM 81453712	PANEL, TOP
0007	CM 28295030	GRILL PLASTIC
0009	CM 25550781	PANEL, REAR - WATER COOLED
0009	CM 25550890	REAR PANEL
0010	CM 19262763	INSIDE LABEL
0010	CM 19262790	LABEL, MONITORING PANEL
0011	CM 25725525	LED HOLDER



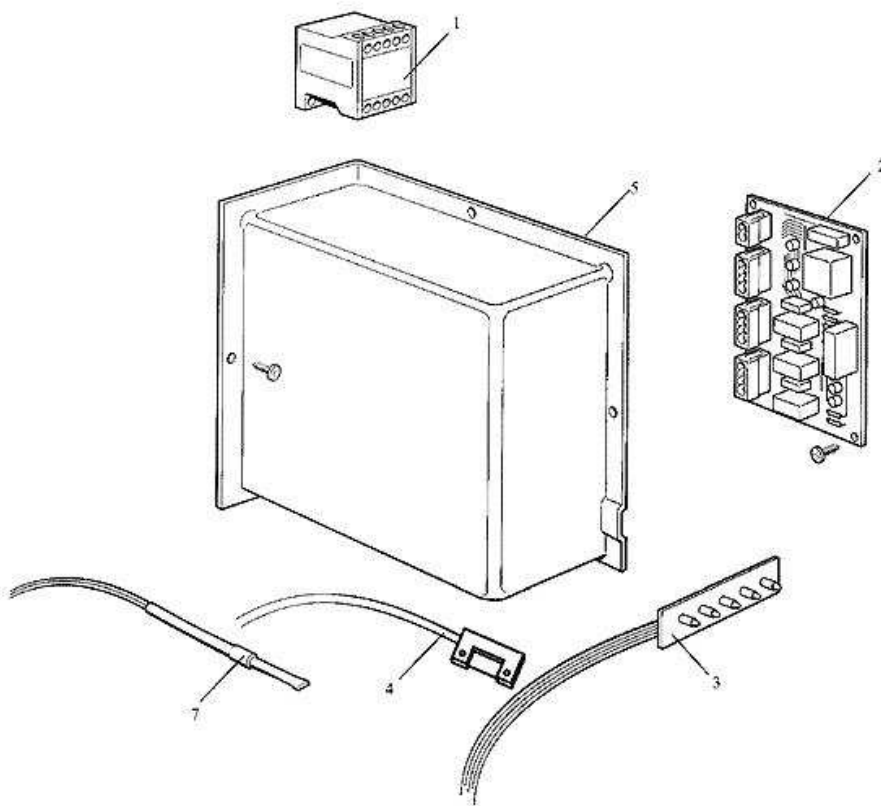
Pos	Code	Description
0001	620058 51	PROTECTOR - 230/50/1
0001	670106 08	COMPRESSOR - 230/50/1
0001	CM 81453399	COMPRESSOR - 230/60/1
0002	620168 22	RELAY - 230/50
0002	CM 19621701	RELAY - 230/60
0003	620167 01	START CAPACITOR 64-77 MFD/330V
0004	620167 40	RUN CAP 7,5MF 370V
0005	CM 19863034	HOT GAS VALVE
0006	CM 19177077	AIR COOLED CONDENSER
0007	CM 25168795	CONDENSER SHROUD
0008	CM 19300357	DRIER
0009	CM 19550628	HI PRESSURE CONTROL
0010	CM 25725530	METAL BRACKET
0011	CM 25410055	TXV INSULATION
0011	CM 81453621	TXV
0012	CM 18562524	FAN MOTOR - 230/50-60
0013	CM 18740032	BLADE
0013	CM 25168800	FAN BRACKET
0014	CM 25339007	CONDENSER FILTER



Pos	Code	Description
0001	620058 51	PROTECTOR - 230/50/1
0001	670106 08	COMPRESSOR - 230/50/1
0001	CM 81453399	COMPRESSOR - 230/60/1
0002	620168 22	RELAY - 230/50
0002	CM 19621701	RELAY - 230/60
0003	620167 01	START CAPACITOR 64-77 MFD/330V
0004	620167 40	RUN CAP 7,5MF 370V
0005	CM 19863034	HOT GAS VALVE
0006	CM 81453744	WATER COOLED CONDENSER
0007	620111 00	WATER REGUL. VALVE
0008	CM 19300357	DRIER
0009	CM 19550628	HI PRESSURE CONTROL
0010	CM 25725530	METAL BRACKET
0011	CM 25410055	TXV INSULATION
0011	CM 81453621	TXV
0012	CM 81453745	ACCUMULATOR ASSY
0015	CM 25725537	METAL BRACKET RT
0016	CM 25631047	FITTING
0017	CM 25631045	FITTING



Pos	Code	Description
0001	CM 81454167	EVAPORATOR ASSY - DICE CUBE
0001	CM 81454169	EVAPORATOR ASSY - HALF LARGE CUBE
0002	CM 25474608	METAL CLIP
0003	CM 25726473	DEFLECTOR BRACKET
0004	CM 81453692	PLASTIC CURTAIN
0005	CM 19355007	MAGNET
0006	CM 81453434	SENSOR, ICE THICKNESS
0007	CM 25725450	SENSOR SYST. BRKT
0008	CM 81453460	SPRAY SYSTEM
0009	650105 54	INLET VALVE - 230/50 - 60
0010	620460 00	WATER DRAIN VALVE
0011	CM 81453796	SENSOR, WATER LEVEL
0012	CM 19950006	THUMB SCREW
0012	CM 81453705	WATER SUMP
0013	640041 31	O RING
0013	CM 25730503	DRAIN PLUG
0014	CM 81453698	TUBE, WATER
0015	793247 00R	WATER RESTRICTION KIT
0016	CM 25690807	DRAIN FITTING
0017	CM 81453562	TUBE
0018	CM 81453693	BRACKET, PUMP
0019	CM 25330808	WATER PUMP COVER
0020	620433 00	WATER PUMP 230/50
0020	620433 01	WATER PUMP 230/60



Pos	Code	Description
0001	CM 33730712	CONTACTOR
0002	CM 33580250	PC BOARD
0002	CM 81453574	2 POLES CONNECTOR
0002	CM 81453826	4 POLES CONNECTOR
0002	CM 81453827	5 POLES CONNECTOR
0002	CM 81453828	3 POLES CONNECTOR
0003	CM 33580151	MONITOR PANEL
0004	CM 33210019	MAGNET SWITCH
0005	CM 25161162	CONTROL BOX COVER
0007	CM 33580101	CONDENSER SENSOR