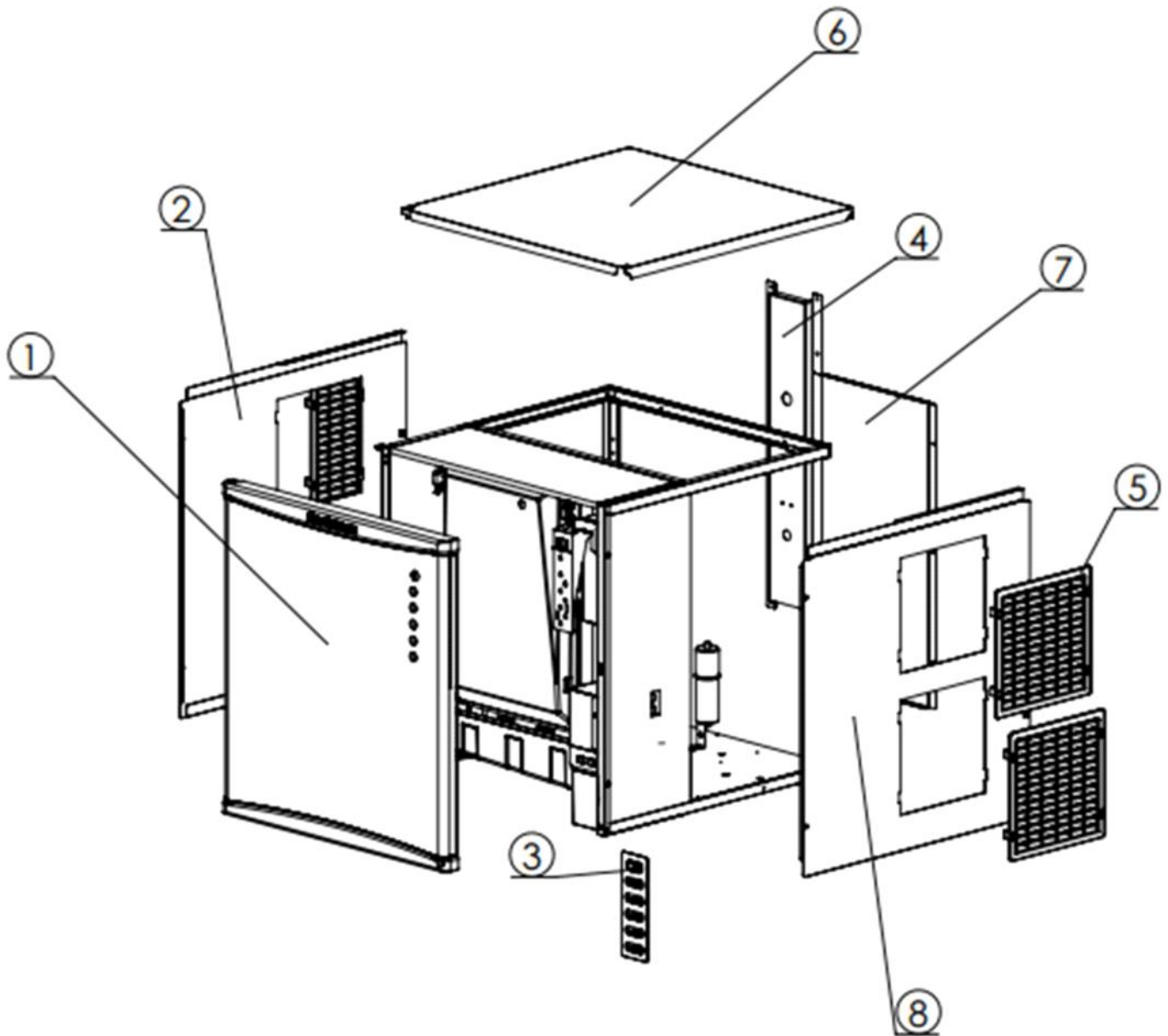
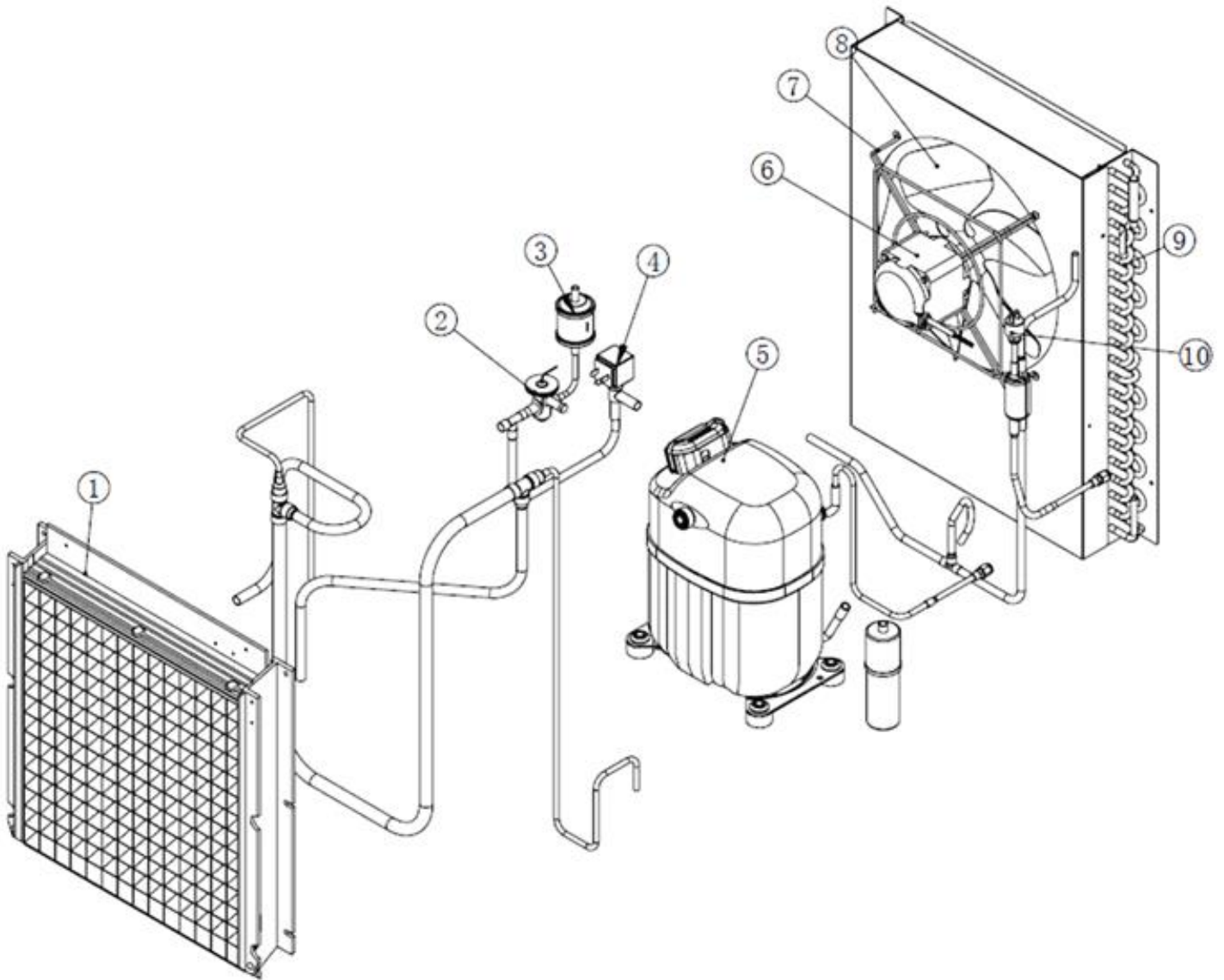


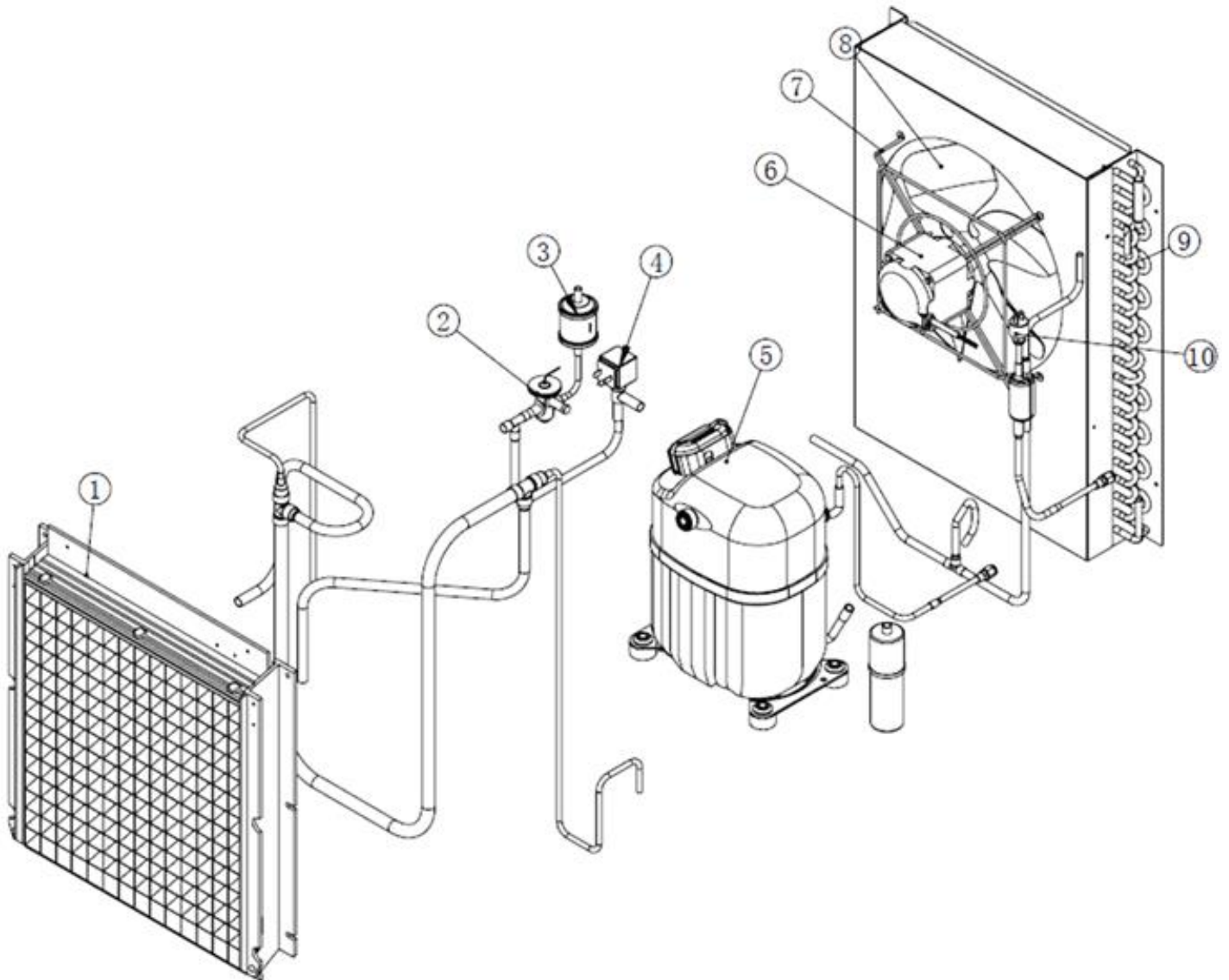
| Pos | Code | Description |
|------|------------------|----------------------------------|
| 0001 | SCSC 91000014-10 | FRONT PANEL |
| 0001 | SCSC 97000184-00 | FRONT PANEL HINGE KIT 308/508 |
| 0002 | SCSC 11000088-00 | LEFT SIDE PANEL NW 308-508 |
| 0003 | SCSC 98020201-02 | MONITORING LED LABEL - NW series |
| 0004 | SCSC 80000011-00 | PROTECTION |
| 0005 | SCSC 41000038-01 | PLASTIC SHUTTER |
| 0006 | SCSC 11000089-00 | TOP PANEL |
| 0007 | SCSC 11000087-00 | PANEL |
| 0008 | SCSC 80000019-00 | AIR FILTER |
| 0009 | SCSC 11000111-00 | RIGHT SIDE PANEL |



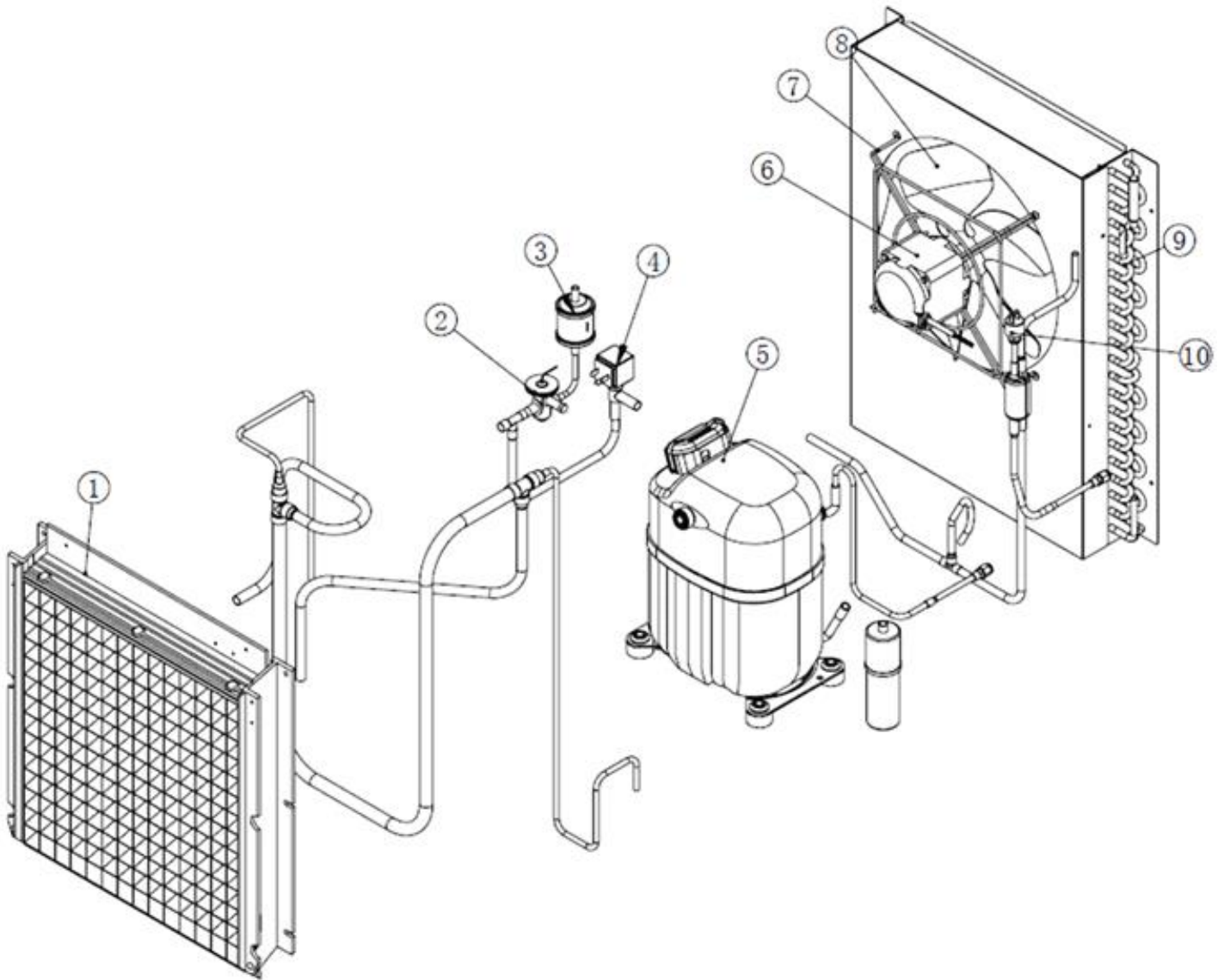
| Pos | Code | Description |
|------|------------------|----------------------------------|
| 0001 | SCSC 9100017-10 | FRONT PANEL |
| 0001 | SCSC 97000184-00 | FRONT PANEL HINGE KIT 308/508 |
| 0002 | SCSC 11000183-00 | LEFT SIDE PANEL |
| 0003 | SCSC 98020201-02 | MONITORING LED LABEL - NW series |
| 0005 | SCSC 41000038-01 | PLASTIC SHUTTER |
| 0006 | SCSC 11000182-00 | TOP PANEL |
| 0008 | SCSC 11000184-00 | RIGHT SIDE PANEL |



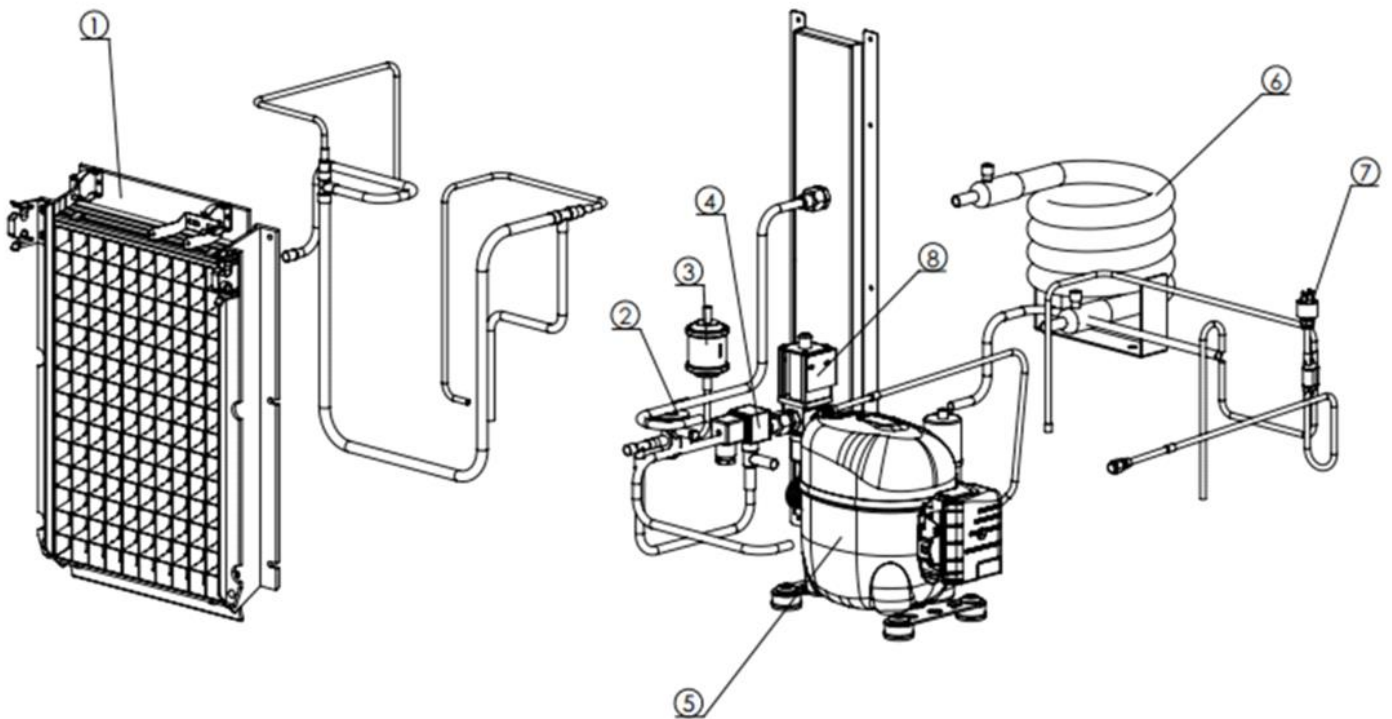
| Pos | Code | Description |
|------|------------------|--|
| 0001 | SCSC 93000023-00 | EVAPORATOR |
| 0001 | SCSC 93000023-01 | EVAP.-HALFDICE |
| 0002 | SCSC 99300605-00 | TXV |
| 0003 | SCCM 19300357 | DRIER |
| 0004 | SCSC 97000114-00 | HOT GAS VALVE KIT |
| 0005 | SC620057 43 | RELAY - 8565103 |
| 0005 | SC620057 70 | RELAY |
| 0005 | SC620167 00 | START.CAP. - 8640162 |
| 0005 | SC620167 25 | RUN CAPACITOR - 8545104 |
| 0005 | SC620478 28 | PROTECTOR - 8572282 |
| 0005 | SC670106 21 | COMP.AE4460Z-GS3C 220/60 (AE-1195-BF) |
| 0005 | SC670106 23 | COMP.AE4470Z-FZ3C 220-240 (AE-1150-BF-M) |
| 0006 | SCCM 18562524 | MOTOR |
| 0007 | SCCM 25726513 | BRACKET |
| 0008 | SC620419 37 | BLADE |
| 0009 | SCSC 81000015-00 | AIR CONDENSER |
| 0010 | SCCM 19550628 | HIGH PRESSURE SAFETY SWIT |



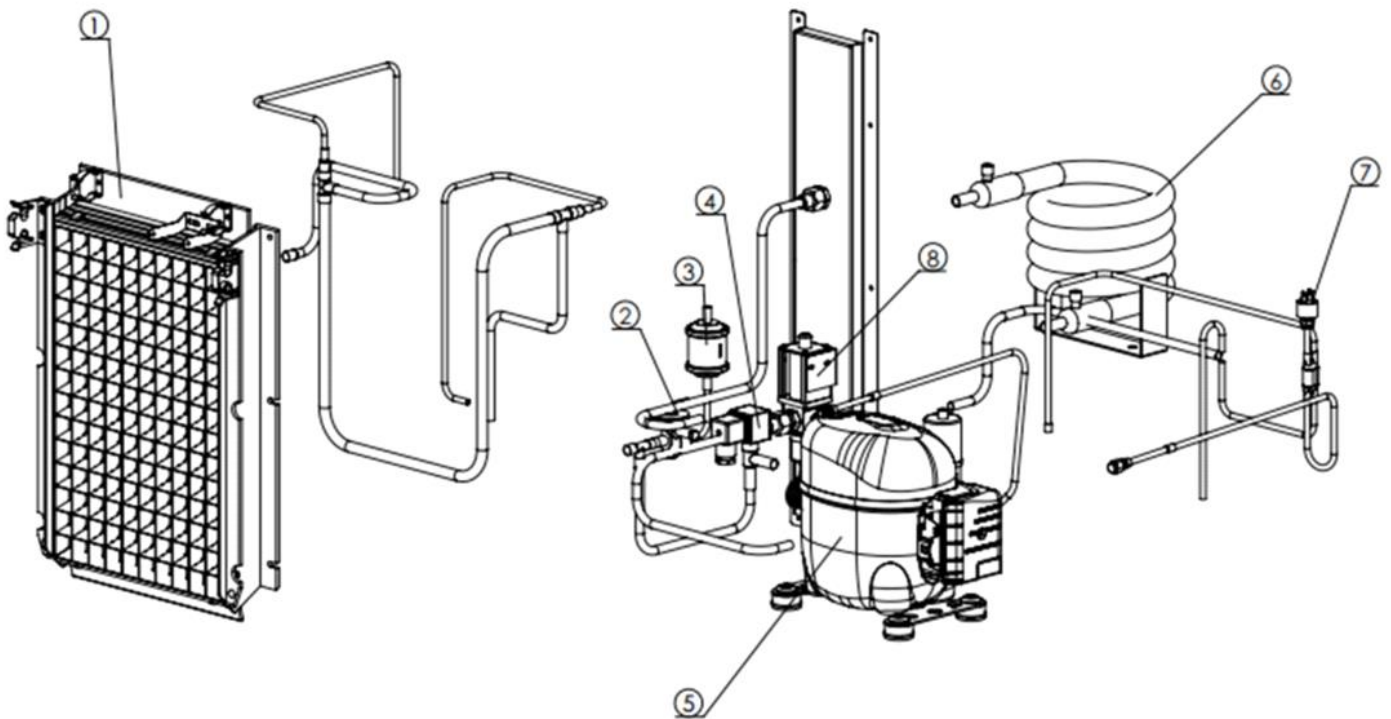
| Pos | Code | Description |
|------|------------------|--|
| 0001 | SCSC 93000043-10 | EVAPORATOR DICE |
| 0001 | SCSC 93000043-11 | EVAPORATOR HALF LARGE |
| 0002 | SCSC 99300605-00 | TXV |
| 0003 | SCCM 19300357 | DRIER |
| 0004 | SCSC 97000114-00 | HOT GAS VALVE KIT |
| 0005 | SC620057 43 | RELAY - 8565103 |
| 0005 | SC620057 70 | RELAY |
| 0005 | SC620167 00 | START.CAP. - 8640162 |
| 0005 | SC620167 25 | RUN CAPACITOR - 8545104 |
| 0005 | SC620478 28 | PROTECTOR - 8572282 |
| 0005 | SC670106 21 | COMP.AE4460Z-GS3C 220/60 (AE-1195-BF) |
| 0005 | SC670106 23 | COMP.AE4470Z-FZ3C 220-240 (AE-1150-BF-M) |
| 0006 | SCCM 18562524 | MOTOR |
| 0007 | SCCM 25726513 | BRACKET |
| 0008 | SC620419 37 | BLADE |
| 0009 | SCSC 81000015-00 | AIR CONDENSER |
| 0010 | SCCM 19550628 | HIGH PRESSURE SAFETY SWIT |



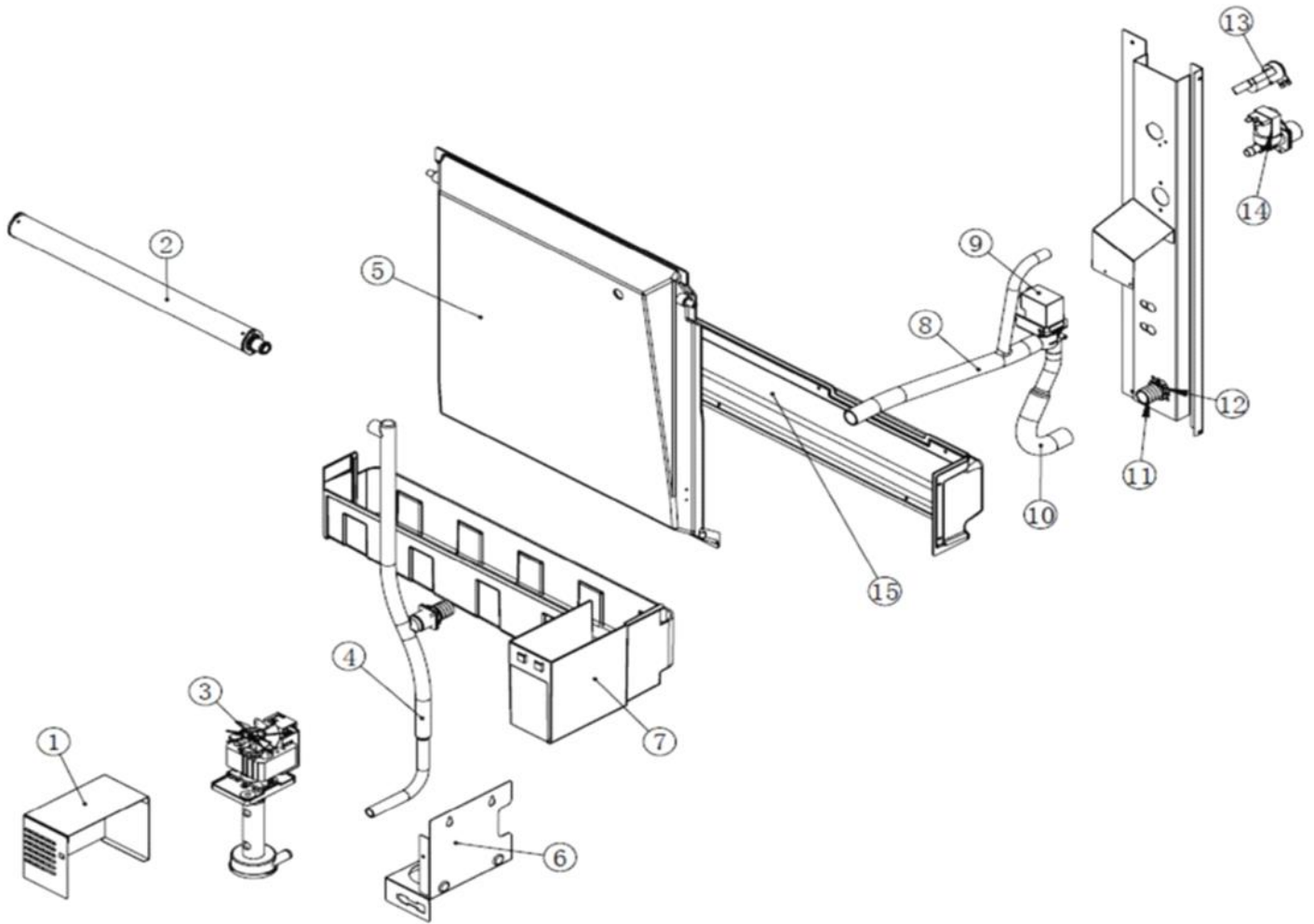
| Pos | Code | Description |
|------|------------------|--|
| 0001 | SCSC 93000043-10 | EVAPORATOR DICE |
| 0001 | SCSC 93000043-11 | EVAPORATOR HALF LARGE |
| 0002 | SCSC 99300605-00 | TXV |
| 0003 | SCCM 19300357 | DRIER |
| 0004 | SCCM 19863034 | HOT GAS VALVE (USE SCCA 1068/M10S) |
| 0005 | SC620057 43 | RELAY - 8565103 |
| 0005 | SC620057 70 | RELAY |
| 0005 | SC620167 00 | START.CAP. - 8640162 |
| 0005 | SC620167 25 | RUN CAPACITOR - 8545104 |
| 0005 | SC620478 28 | PROTECTOR - 8572282 |
| 0005 | SC670106 21 | COMP.AE4460Z-GS3C 220/60 (AE-1195-BF) |
| 0005 | SC670106 23 | COMP.AE4470Z-FZ3C 220-240 (AE-1150-BF-M) |
| 0006 | SCCM 18562524 | MOTOR |
| 0007 | SCCM 25726513 | BRACKET |
| 0008 | SC620419 37 | BLADE |
| 0009 | SCSC 81000015-00 | AIR CONDENSER |
| 0010 | SCCM 19550628 | HIGH PRESSURE SAFETY SWIT |



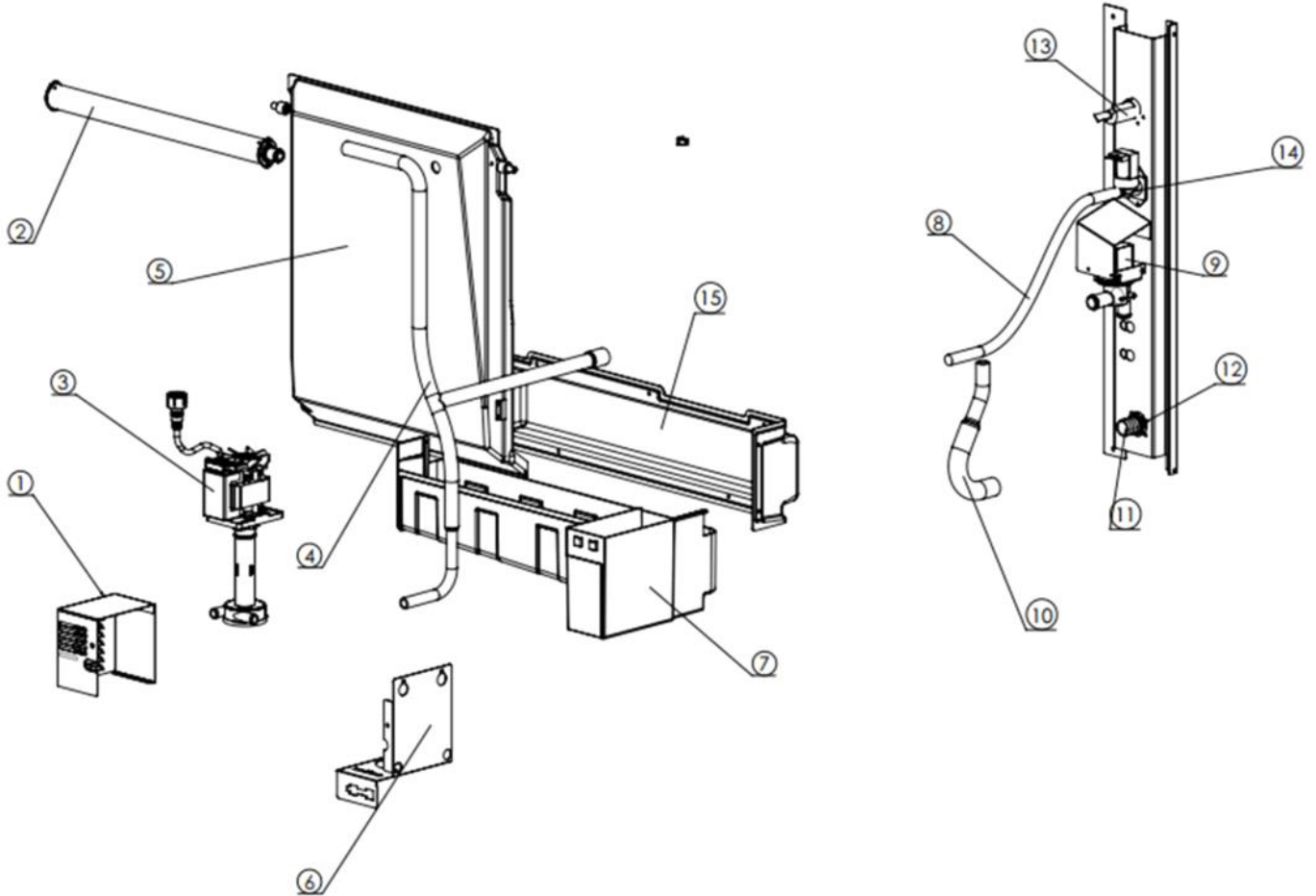
| Pos | Code | Description |
|------|------------------|--|
| 0001 | SCSC 93000043-10 | EVAPORATOR DICE |
| 0001 | SCSC 93000043-11 | EVAPORATOR HALF LARGE |
| 0002 | SCSC 81000065-00 | TXV |
| 0003 | SCCM 19300357 | DRIER |
| 0004 | SCSC 97000114-00 | HOT GAS VALVE KIT |
| 0005 | SC620057 43 | RELAY - 8565103 |
| 0005 | SC620167 00 | START.CAP. - 8640162 |
| 0005 | SC620167 25 | RUN CAPACITOR - 8545104 |
| 0005 | SC670106 23 | COMP.AE4470Z-FZ3C 220-240 (AE-1150-BF-M) |
| 0006 | SCSC 81000054-00 | WATER COOLED CONDENSER |
| 0007 | SCCM 19550628 | HIGH PRESSURE SAFETY SWIT |
| 0008 | SCSC 81000006-00 | WATER REGULATING VALVE |



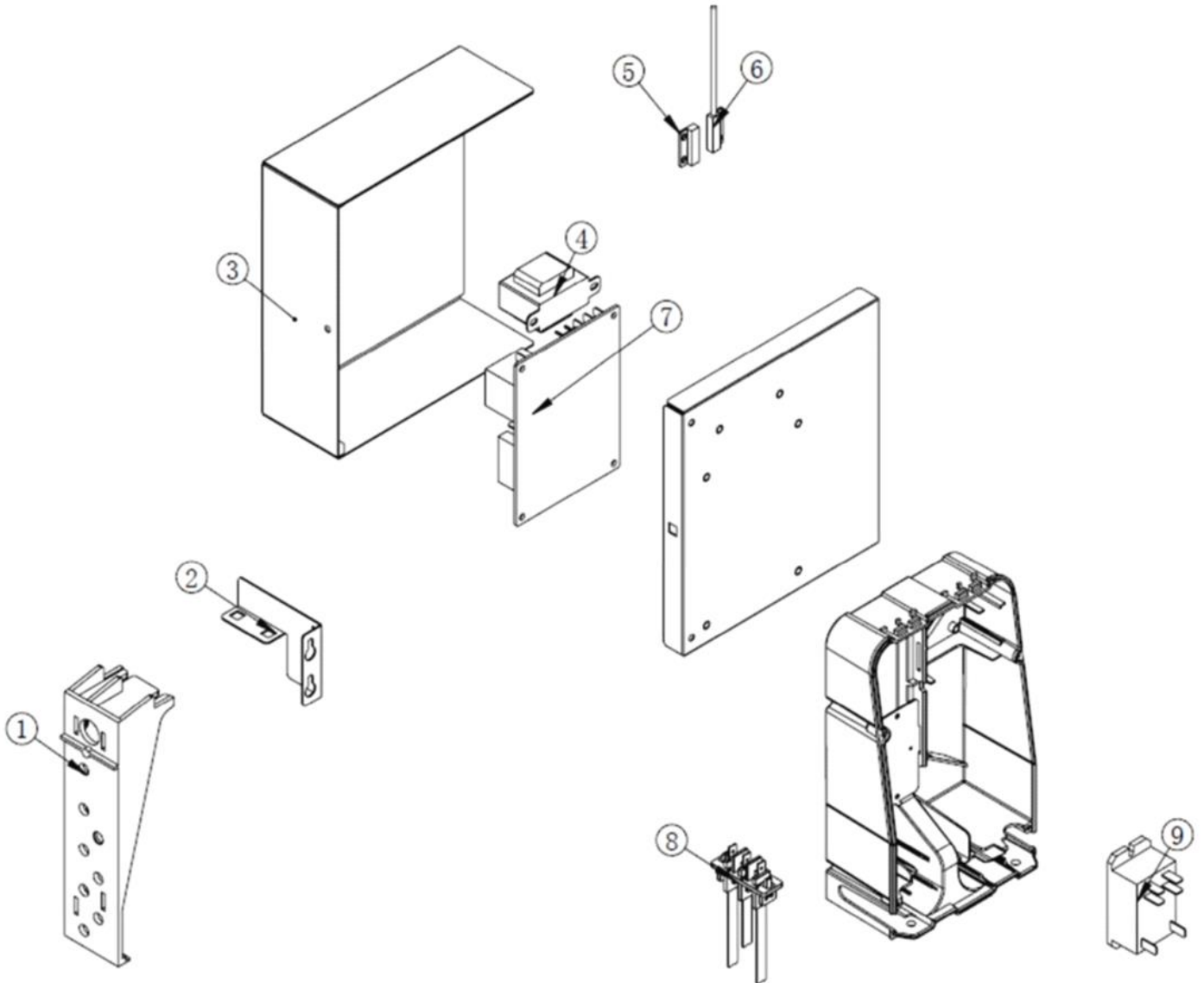
| Pos | Code | Description |
|------|------------------|--|
| 0001 | SCSC 93000043-10 | EVAPORATOR DICE |
| 0001 | SCSC 93000043-11 | EVAPORATOR HALF LARGE |
| 0002 | SCSC 81000065-00 | TXV |
| 0003 | SCCM 19300357 | DRIER |
| 0004 | SCCM 19863034 | HOT GAS VALVE (USE SCCA 1068/M10S) |
| 0005 | SC620057 43 | RELAY - 8565103 |
| 0005 | SC620167 00 | START.CAP. - 8640162 |
| 0005 | SC620167 25 | RUN CAPACITOR - 8545104 |
| 0005 | SC670106 23 | COMP.AE4470Z-FZ3C 220-240 (AE-1150-BF-M) |
| 0006 | SCSC 81000054-00 | WATER COOLED CONDENSER |
| 0007 | SCCM 19550628 | HIGH PRESSURE SAFETY SWIT |
| 0008 | SCSC 81000006-00 | WATER REGULATING VALVE |



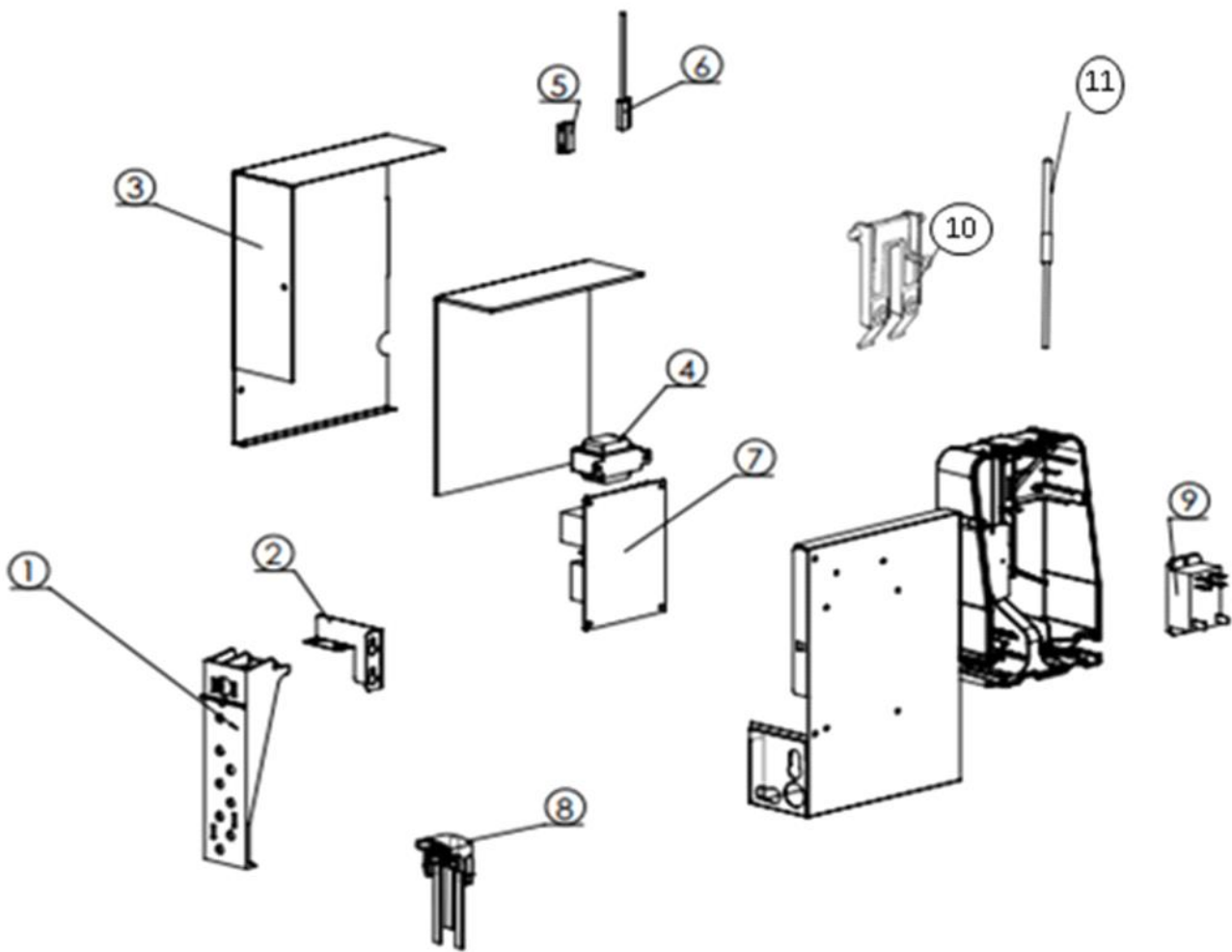
| Pos | Code | Description |
|------|------------------|-------------------------------|
| 0001 | SCSC 11000086-00 | WATER PUMP COVER |
| 0002 | SCSC 94000015-00 | WATER DISTRIBUTOR |
| 0003 | SC620433 00 | USE SC620433 08R |
| 0003 | SC620433 01 | WATER PUMP 230V/60HZ/1PH |
| 0004 | SCSC 22000006-00 | WATER HOSE |
| 0005 | SCSC 41000050-00 | USE SCSC 94000010-10 |
| 0007 | SCSC 41000046-00 | WATER SUMP 22 |
| 0008 | SCSC 22000004-00 | WATER HOSE |
| 0009 | SCSC 82000017-99 | WATER PROOF DRAIN VALVE 230 V |
| 0010 | SCSC 22000005-00 | WATER DRAIN HOSE |
| 0011 | SCSC 41000007-00 | WATER DRAIN FITTING |
| 0012 | SC660535 00 | PLASTIC NUT |
| 0013 | SC630107 01 | CABLE HOLDER |
| 0014 | SC650105 00 | SOLENOID |



| Pos | Code | Description |
|------|------------------|----------------------|
| 0001 | SCSC 11000341-00 | WATER PUMP COVER |
| 0002 | SCSC 94000015-01 | WATER DISTRIBUTOR |
| 0003 | SCSC 82000009-02 | WATER PUMP - 230/60 |
| 0003 | SCSC 82000010-02 | WATER PUMP - 230/50 |
| 0004 | SCSC 22000017-00 | WATER TUBE |
| 0005 | SCSC 41000050-00 | USE SCSC 94000010-10 |
| 0006 | SCSC 11000340-00 | WATER PUMP BRACKET |
| 0007 | SCSC 41000046-00 | WATER SUMP 22 |
| 0008 | SCSC 22000007-00 | WATER INLET HOSE |
| 0009 | SC11000564 02 | USE SCSC 82000017-99 |
| 0010 | SCSC 22000005-00 | WATER DRAIN HOSE |
| 0011 | SCSC 41000007-00 | WATER DRAIN FITTING |
| 0012 | SC660535 00 | PLASTIC NUT |
| 0013 | SC630107 01 | CABLE HOLDER |
| 0014 | SC650105 00 | SOLENOID |
| 0015 | SCSC 41000049-00 | WATER TANK BRACKET |



| Pos | Code | Description |
|------|------------------|---------------------------------|
| 0001 | SCSC 41000008-00 | LED CARD HOLDER |
| 0002 | SCSC 11000113-00 | BRACKET |
| 0003 | SCSC 11000109-00 | CONTROL BOX COVER - OLD VERSION |
| 0004 | SCSC 99020404-00 | TRANSFORMER |
| 0005 | SCSC 98050102-00 | MAGNET SWITCH |
| 0006 | SCSC 98050103-00 | MAGNET SWITCH |
| 0007 | SCSC 98050101-00 | PC BOARD |
| 0008 | SCSC 41000045-00 | WATER LEVEL SENSOR |
| 0009 | SCSC 30000003-00 | RELAY |
| 0010 | SCSC 98050106-00 | ICE THICKNESS SENSOR |
| 0011 | SCSC 99020468-00 | CONDENSER SENSOR |
| 0012 | SCSC 98050105-00 | MONITORING LED ASSY |



| Pos | Code | Description |
|------|------------------|----------------------|
| 0001 | SCSC 41000008-00 | LED CARD HOLDER |
| 0001 | SCSC 98050105-00 | MONITORING LED ASSY |
| 0002 | SCSC 11000113-00 | BRACKET |
| 0003 | SCSC 11000339-00 | COVER |
| 0004 | SCSC 99020404-00 | TRANSFORMER |
| 0005 | SC11000563 02 | MAGNET |
| 0006 | SCSC 98050103-00 | MAGNET SWITCH |
| 0007 | SCSC 98050101-00 | PC BOARD |
| 0008 | SCSC 97000092-10 | WATER LEVEL SENSOR |
| 0010 | SCSC 98050106-00 | ICE THICKNESS SENSOR |
| 0011 | SCSC 99020468-00 | CONDENSER SENSOR |
| 0012 | SCSC 98050105-00 | MONITORING LED ASSY |