

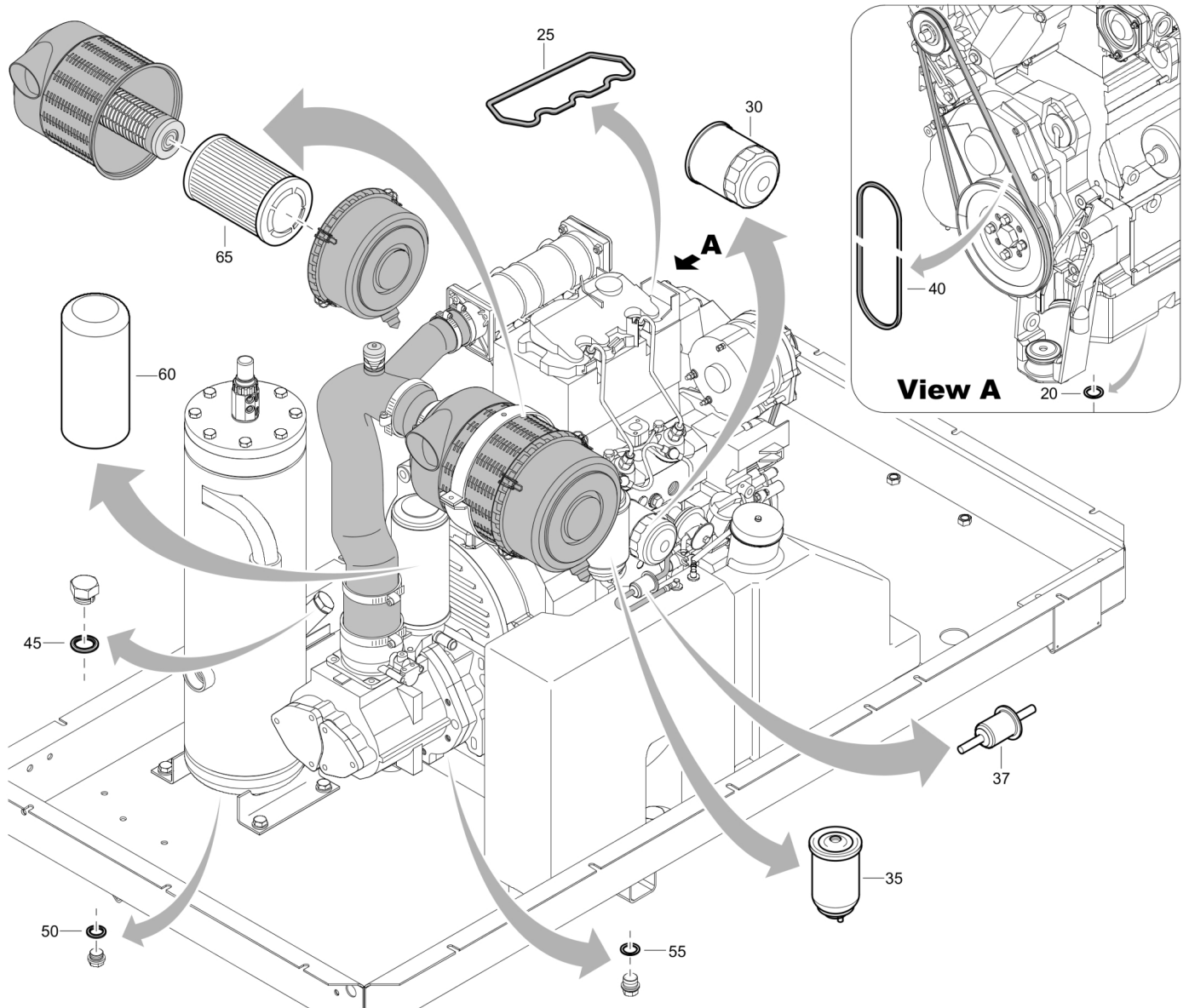


Filter	2965389600,WUX 661854 - 663467
Identity	2965389600
Specifications	Product number: 8161000594, Division: Portable Air, Product group: Diesel Driven Compressors, Product type: Diesel Small Air, Product: XAS130 DD, Product Company: Wuxi

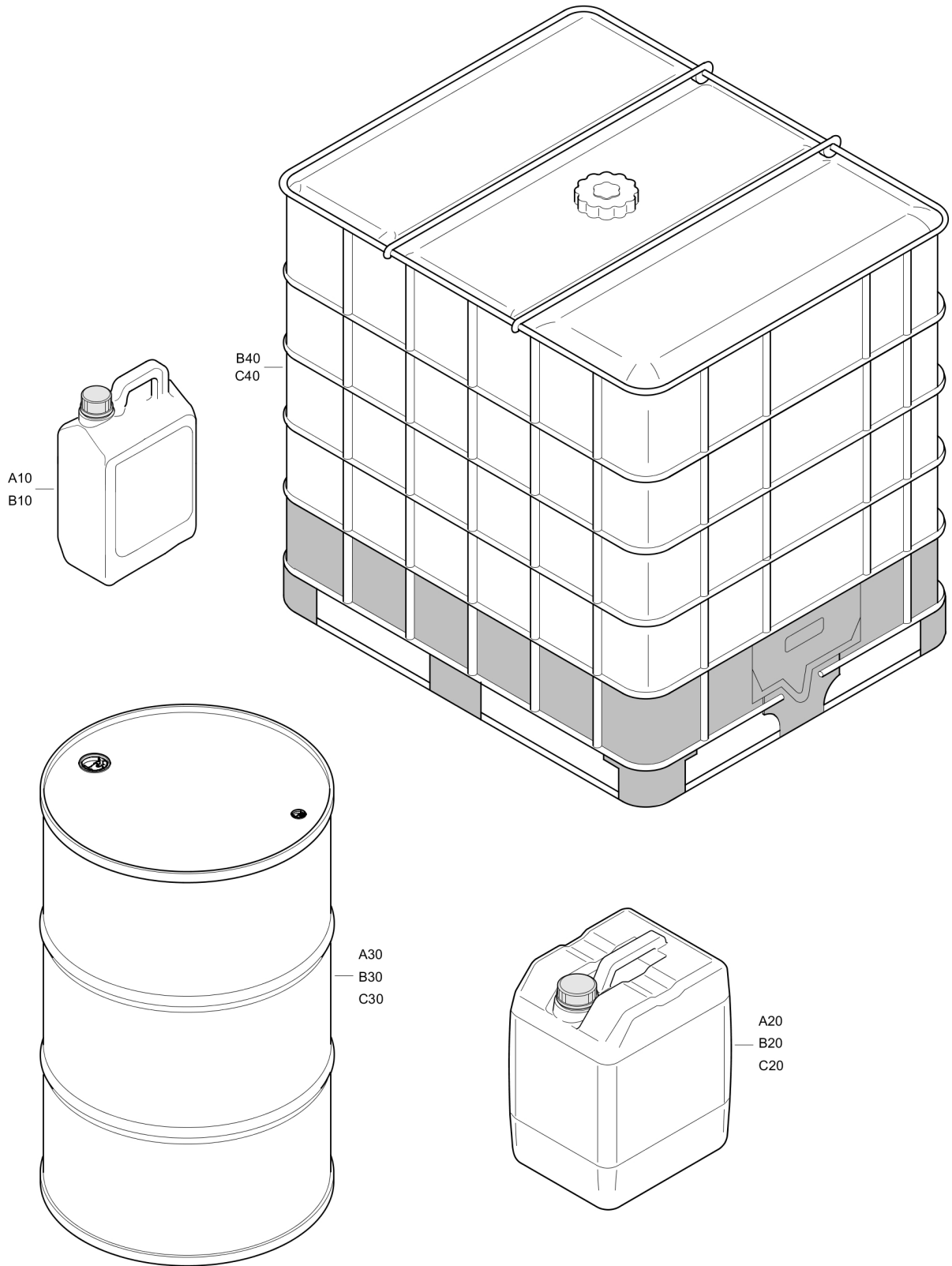
Service pack yearly	2912439206
COMPRESSOR OIL	Compressor_Oil_Paroil
ENGINE OIL	ENGINE_OIL_PAROIL
COOLANT	COOLANT_PARCOOL
OIL.SEP.ASSEMBLY	1615943680
FRONT BAFFLE ASSY.	1092061426
NO SPARK ABSORBER	1092061172
Country set	1092061366
MANIFOLD ASSY	1604397980
COUPLING	1611719012
Bodywork	1625094000
	1615776880
	1092371580
No cold start	1625016300
Frame	1092061360
Road signalisation	1611864314
Jockey wheel	1611772127
Markings	1625090700
Tyre assembly	1094124680
Fuel system	1092479480
SAFETY AND CONTROL	1611746214
SAFETY AND CONTROL	1092479380
AIR INLET	1625002542
COOLER AND FAN	1611725814
COOLER AND FAN	1603406500
OIL SYSTEM	1611728514
AIR INLET	1611740314
FUEL SYSTEM	1611704314
AIR OUTLET	1603406300
ENGINE AND ACCESSORIES	1611707814
AIR OUTLET	1611737514
ELEMENT AND MOUNTS	1611710114
ENGINE AND ACCESSORIES	1603421400
Regulating system	1611722114
UNLOADING VALVE	615766785_01-digabit140714954
NO AFTERCOOLER	1611837114
OIL SYSTEM	1625003924
FRAME AND MOUNTS	1625001839
FRAME AND MOUNTS	1611701414
TANK FUEL	1604396481
Electrical system	1625015900
CONTROL BOX	1625002138
Vessel assembly	1625016100
Bodywork	1611895114
BAFFLE ASSY PE	1604672381
MUDGUARDS - FOR STEEL CANOPY	1611776614
Towing eyes - AC eye	1611770112
Metal filler neck - fuel tank	1611802014
TOOLBOX SINGLE	1611801014
Aftercooler - with water separator	1611865314

Adapter - 24V

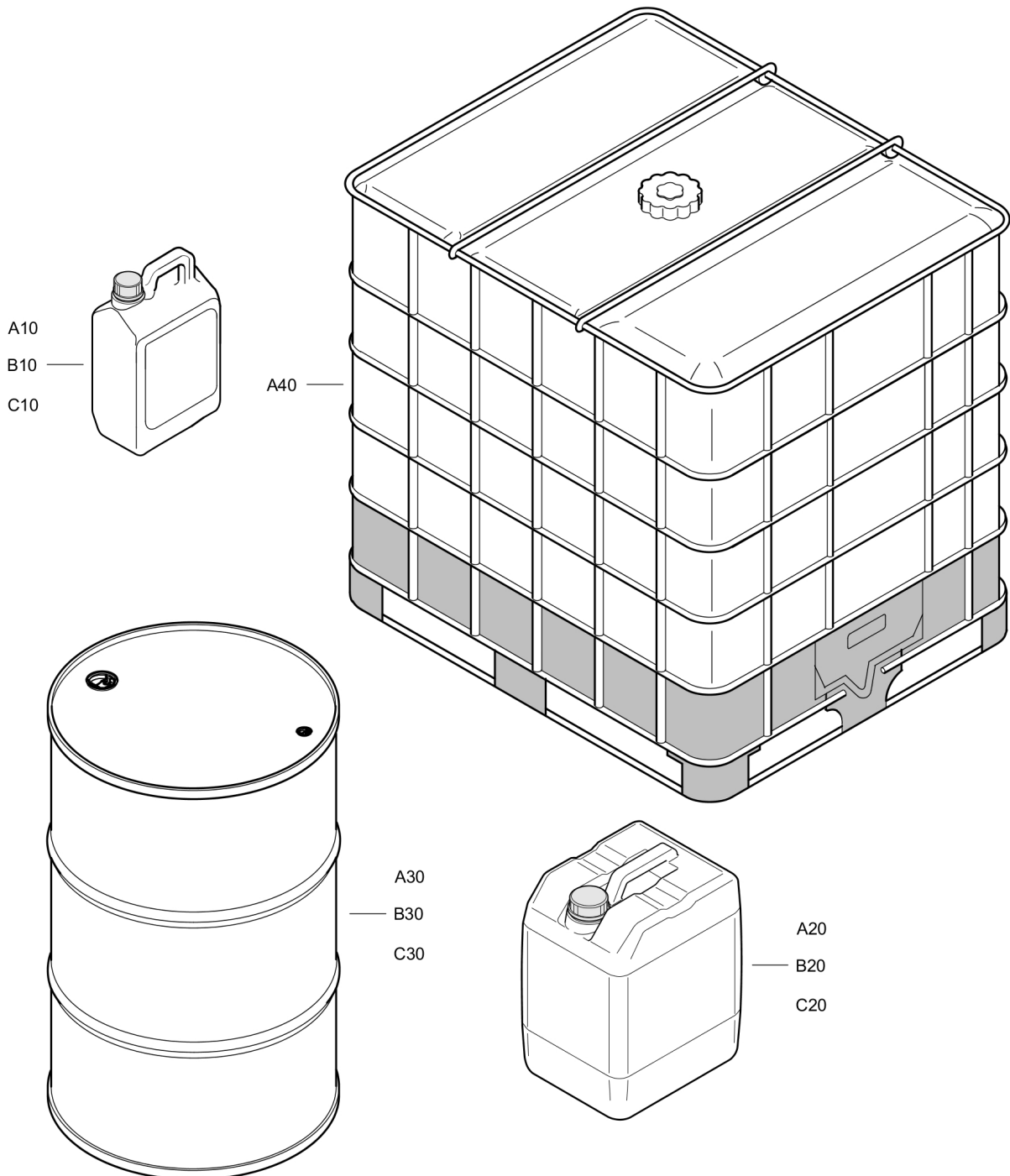
1611864514



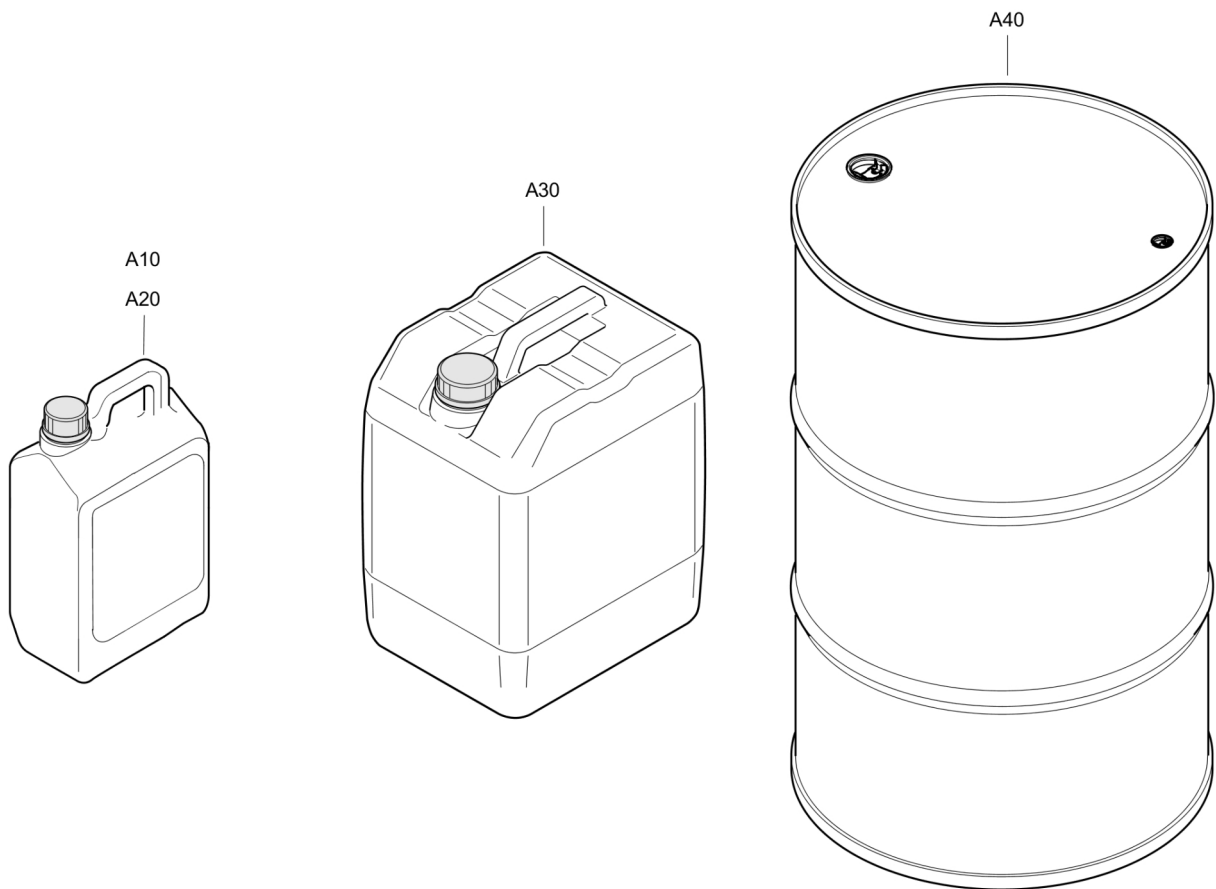
Id	Qty	Number	Name	Specifications
20	1	0653111500	GASKET 18X24X15	
25	1	2913122900	GASKET	
30	1	2914805800	OIL FILTER ELEMENT	
35	1	2900068700	FILTER ELEMENT	
37	1	1604579200	PREFILTER	
40	1	2913105300	NARROW V-BELT	
45	1	0661100040	WASH SEAL 14.76	
50	1	1607852263	SEAL WASHER	
55	1	0653111500	GASKET 18X24X15	
60	1	1613610590	OIL FILTERS	
65	1	1613740800	ELEMENT(AIRFILTER)	



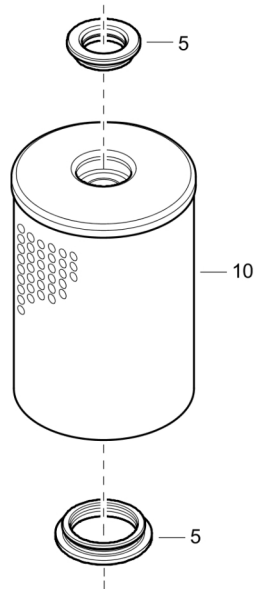
Id	Qty	Number	Name	Specifications
-	1			
A10	1	1615595800	CAN PAROIL M XTREME 5	LITER/1.32 GALLON
A20	1	1615595900	CAN PAROIL M XTREME S 20	LITER/5.3 GALLON
A30	1	1615596000	CAN PAROIL M XTREME 210	LITER/55.5 GALLON
-	1			
B10	1	1630016000	PAROIL S (CAN 5L)	
B20	1	1630016100	PAROIL S (CAN 20L)	
B30	1	1630016200	PAROIL S (BARREL 210L)	
B40	1	1630016300	CONTAINER PAROIL S 1000	LITER/264.1 GALLON
-	1			
C20	1	1630018000	CAN PAROIL S XTREME 20	LITER/5.3 GALLON
C30	1	1630018100	CAN PAROIL S XTREME 210	LITER/55.5 GALLON
C40	1	1630018200	CONTAINER PAROIL S XTREME	1000 LITER/264.1 GALLON



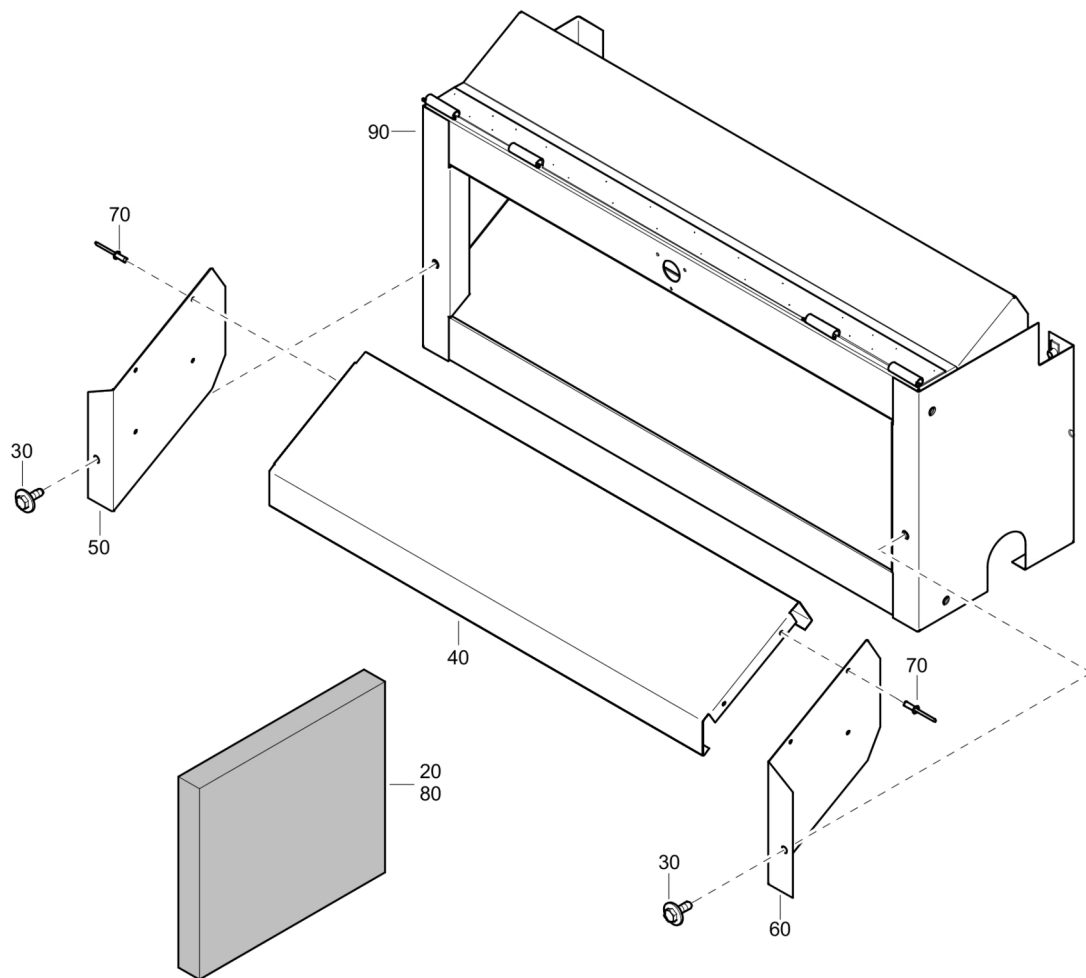
Id	Qty	Number	Name	Specifications
-			PAROIL E	
A10	1	1615595300	CAN PAROIL E 5L (1.32 GALLON)	
A20	1	1615595400	CAN PAROIL E 20L (5.3 GALLON)	
A30	1	1615595500	CAN PAROIL E 210L (55.5 GALLON)	
A40	1	1630009600	CONTAINER PAROIL E 1000 LITER/264.1 GALLON	
-				
B10	1	1630013501	OIL CAN PAROIL EXTRA 5L	
B20	1	1630013601	OIL CAN PAROIL EXTRA 20L	
B30	1	1626010200	OIL CAN PAROIL EXTRA 209 L	
-				
C10	1	1630047100	CAN PAROIL EMISSION GREEN 5L	
C20	1	1630047200	PAROIL E MISSION GREEN (20L)	
C30	1	1630047300	PAROIL E MISSION GREEN (210L)	
1636 3105 17	1	1636310517	FUEL W/S FILTER 10X	



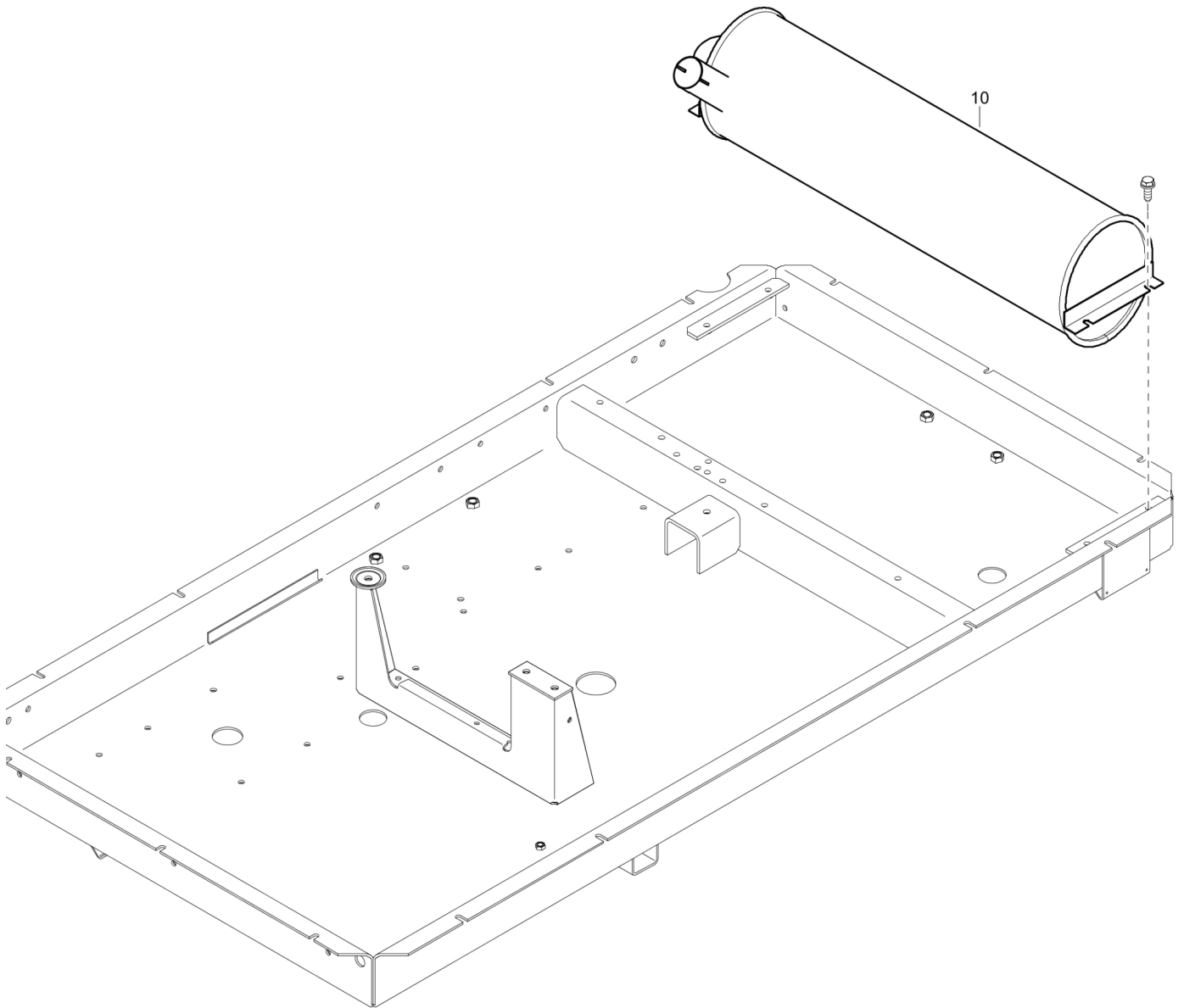
Id	Qty	Number	Name	Specifications
A10	1	1604815901	CAN PARCOOL EG CONCENTRATE	5 LITER/1.32 GALLON
A20	1	1604530801	CAN PARCOOL EG 5 LITER/1.32	GALLON
A30	1	1604530702	CAN PARCOOL EG 20 LITER/5.3	GALLON
A40	1	1604530601	CAN PARCOOL EG 210 LITER/55.5	GALLON



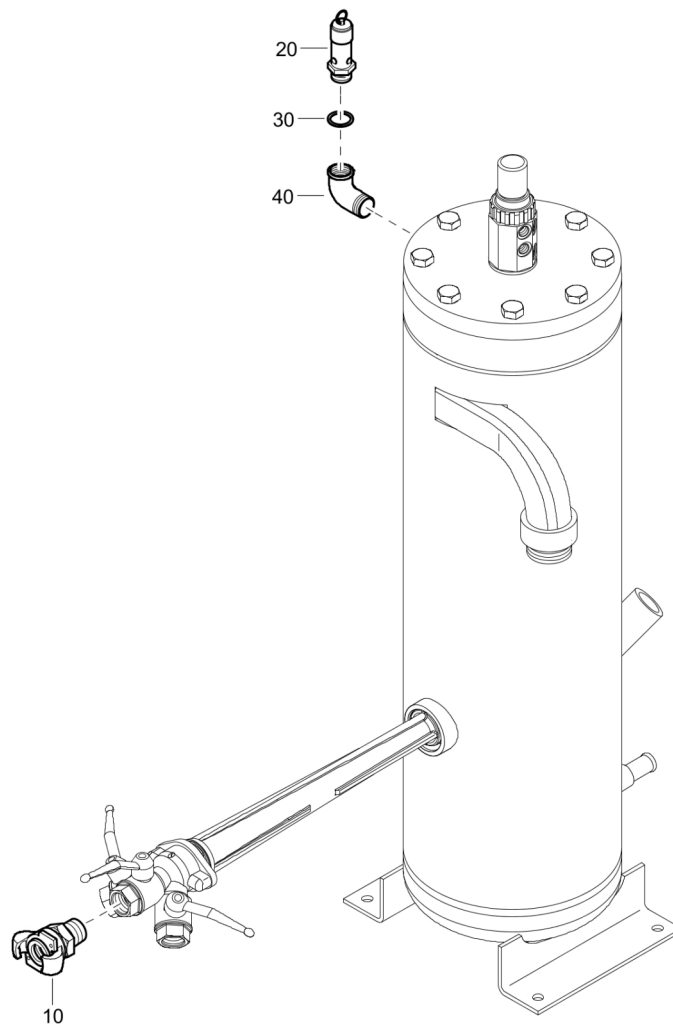
Id	Qty	Number	Name	Specifications
5	2	1615769500	SEAL	
10	1	1615943601	OIL.SEP.ELEMENT	



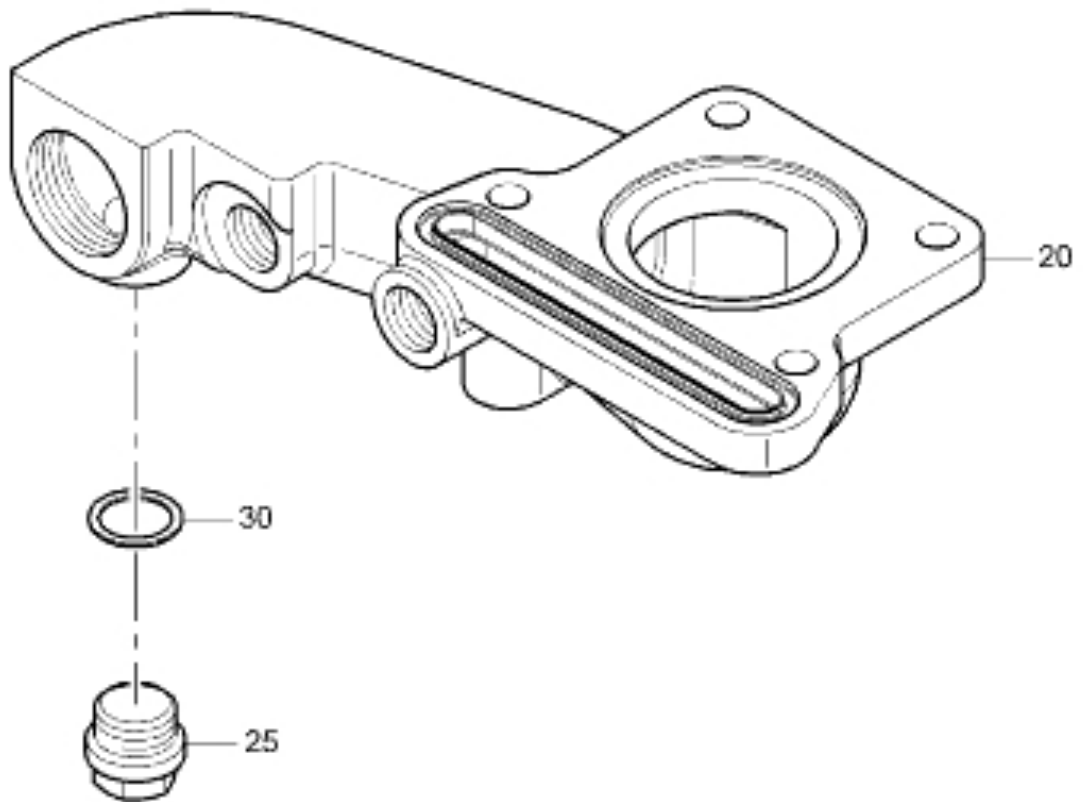
Id	Qty	Number	Name	Specifications
20			Silencing foam (40mm)	
30	2	1604342300	SCRAPER BOLT	
40	2	1604400301	BAFFLE	
50	1	1604400401	PLATE	
60	1	1604400501	PLATE	
70	8	0129317201	BLIND RIVET	
80			Silencing foam (40mm)	
90	1	1092032700	Baffle	



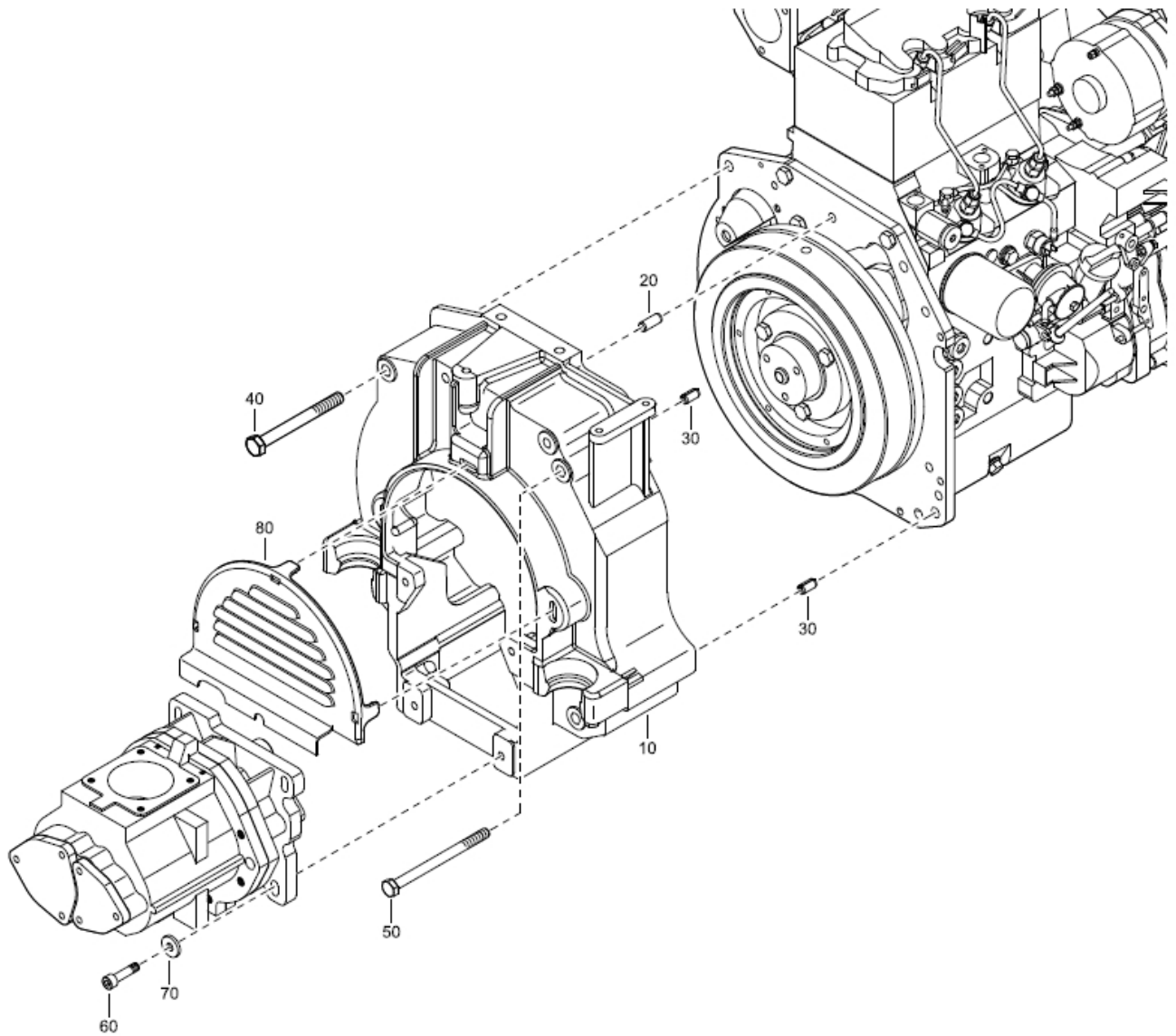
Id	Qty	Number	Name	Specifications
----	-----	--------	------	----------------



Id	Qty	Number	Name	Specifications
10	3	1094838800	COUPLING	
20	1	0830100518	SAFETY VALVE SQE	
30	1	0653112400	GASKET 21 X 26 X 1.5	
40	1	0560020023	ELBOW	

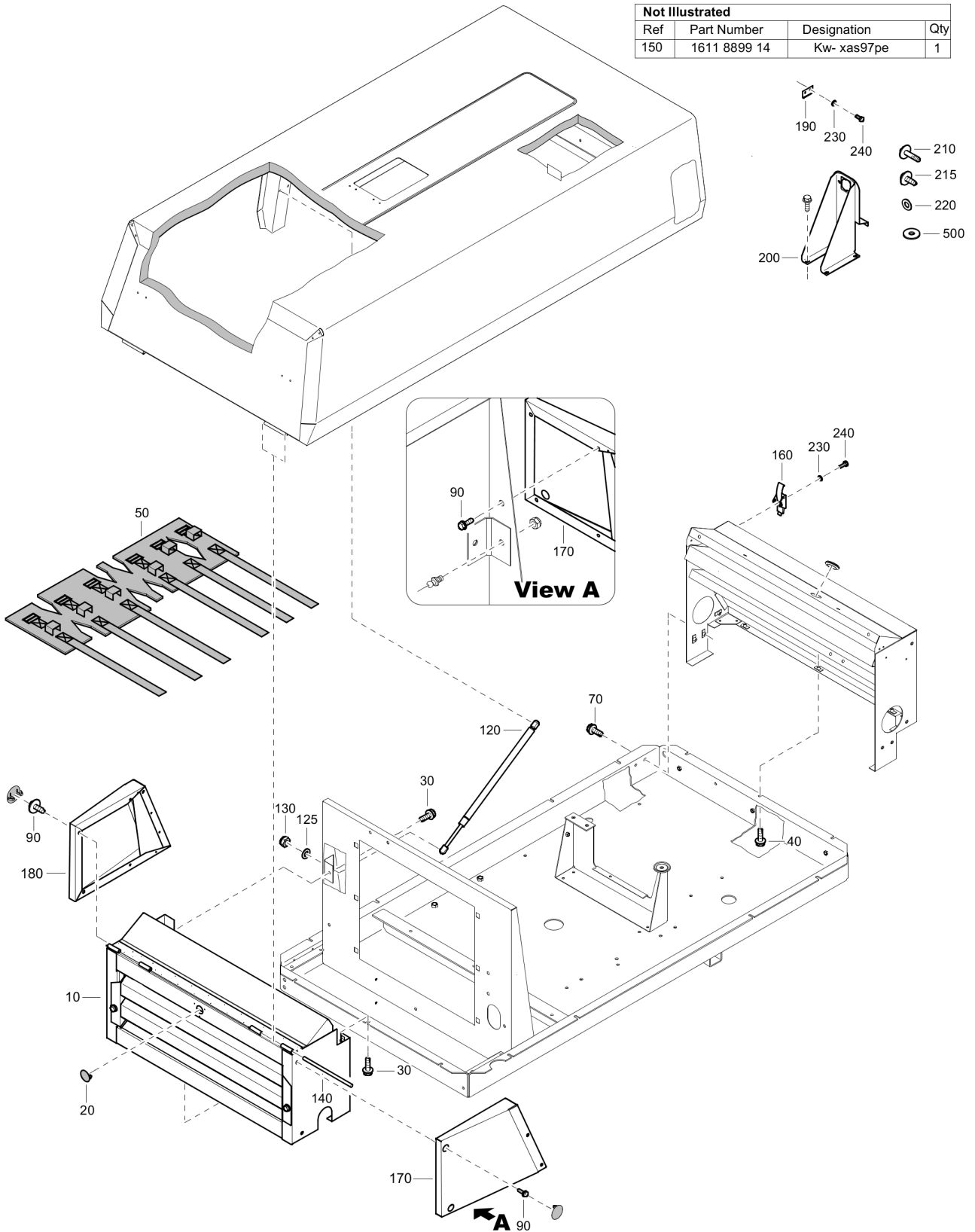


Id	Qty	Number	Name	Specifications
20	1	1604397900	MANIFOLD	
25	1	0686423018	PLUG M18X1.5X12	
30	1	0653111500	GASKET 18X24X15	

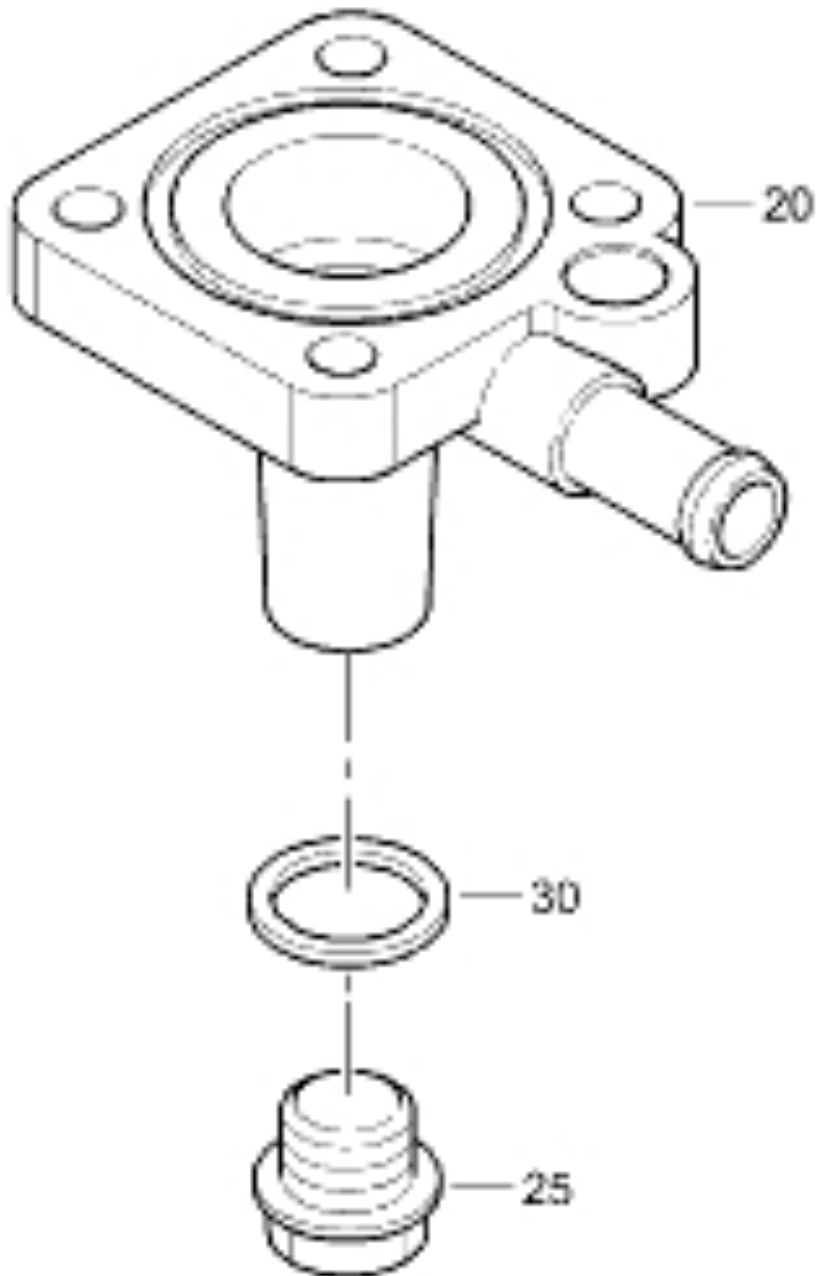


Id	Qty	Number	Name	Specifications
10	1	1615766101	HOUSING	
20	1	0102046000	PARALLEL PIN	
30	2	0108341700	SPRING PIN	
40	4	0147145703	PARAF.SEXT. M14X140MM FZB	
50	2	0147142203	HEX. HEAD SCREW	
60	4	0211196293	HEX SOCK. SCREW	
70	4	0300027493	WASHER:M 10.5X30X2.5T \$STL	
80	1	1615766304	BELT PROTECTION	

Not Illustrated			
Ref	Part Number	Designation	Qty
150	1611 8899 14	Kw- xas97pe	1

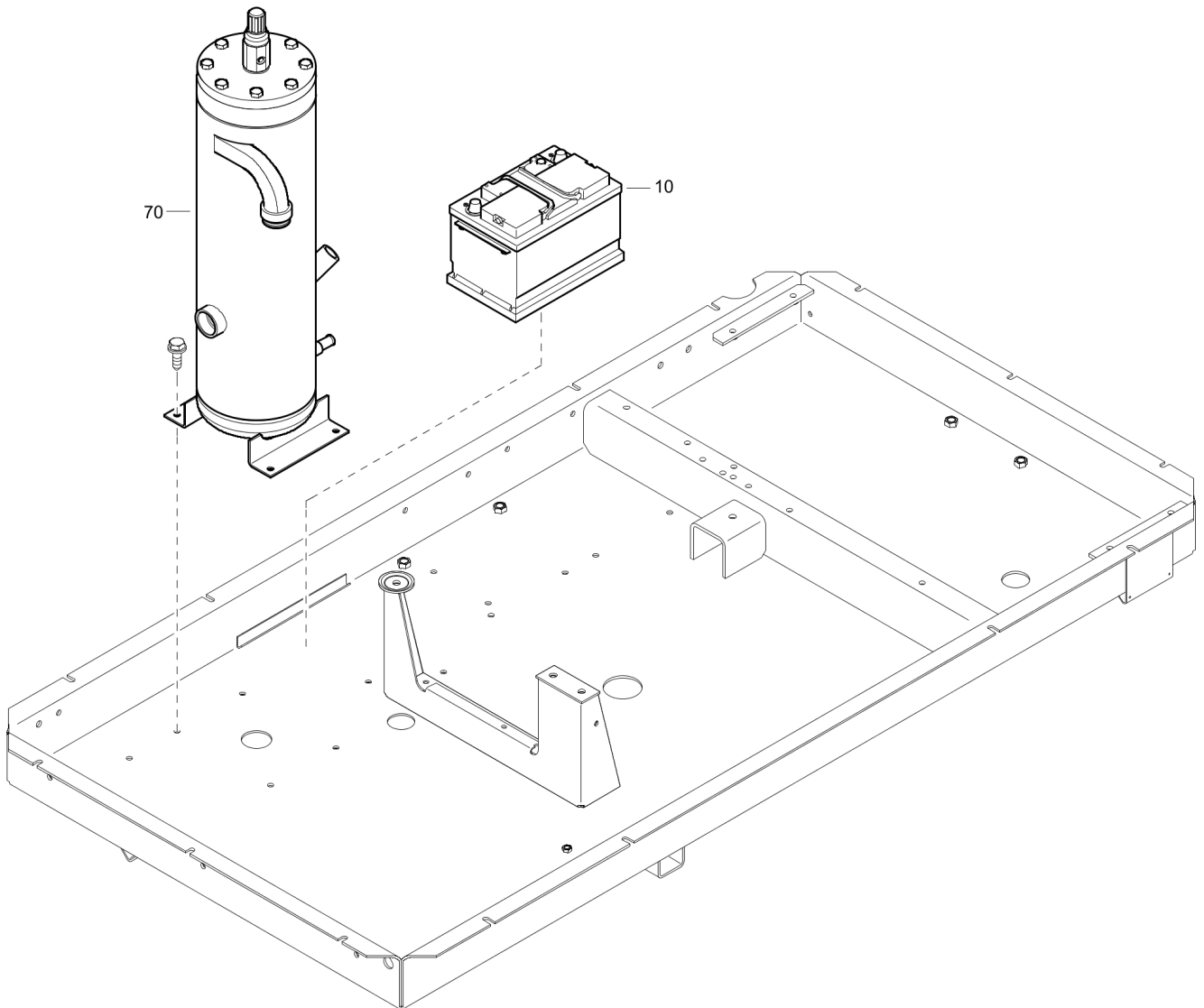


Id	Qty	Number	Name	Specifications
10	1	1094102680	FRONT BAFFLE ASSY	
20	1	1626412100	PLUG	
30	7	1615566400	HEX. HEAD SCREW	
40	3	1615566400	HEX. HEAD SCREW	
50	1	1092886000	INSULATION THERMAL	
70	4	1604342300	SCRAPER BOLT	
90	8	1615566400	HEX. HEAD SCREW	
120	2	1092042474	GAS SPRING	
125	2	0301233500	PLAIN WASHER(A) 8.4 X 16 X 1.6	
130	2	0291110800	LOCK NUT	
140	2	1605002500	ROD	
150	1	1611889914	Kw- xas97pe wuxi- wood. pack.	
160	2	1604627600	LATCH	
170	1	1604717902	Side panel	
180	1	1092818100	Side panel	
190	2	1604627500	CATCH:PE CANOPY XAS 185	
200	1	1604611402	BRACKET	
210	8	1604646600	BOLT	
215	2	1619276500	SCREW	
220	8	1088001902	CONTACT WASHER SPEC MD	
230	8	0301232100	WASHER M6	
240	8	0147124403	HEX. HEAD SCREW M6 X 12	
500	8	0300027621	WASHER-FLAT:M 8.40/28.0X3.0T	

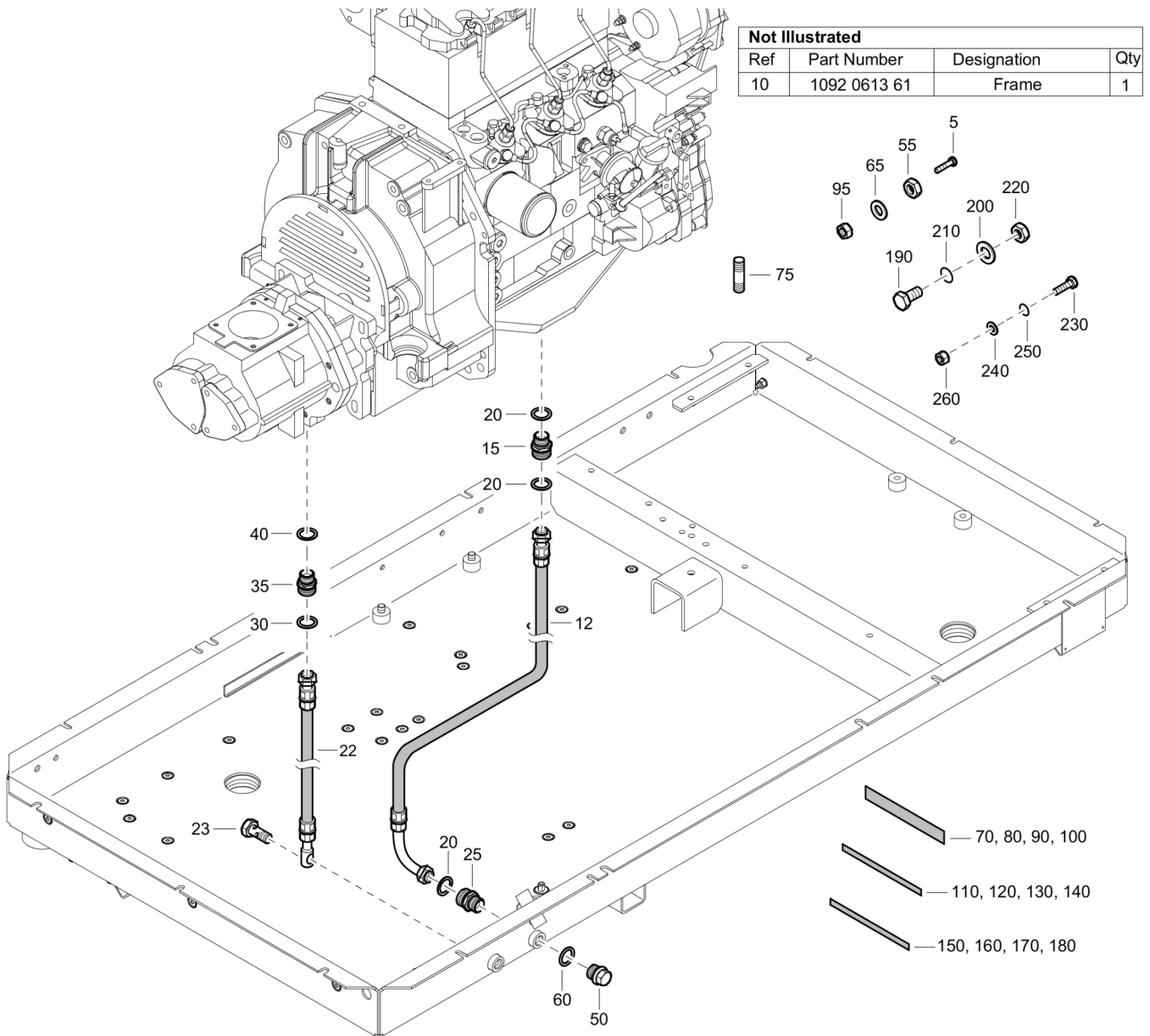


Id	Qty	Number	Name	Specifications
20	1	1615776802	FLANGE	
25	1	0686371601	PLUG 1/4 AA	
30	1	0653106200	GASKET 13 X 20 X 1.5	

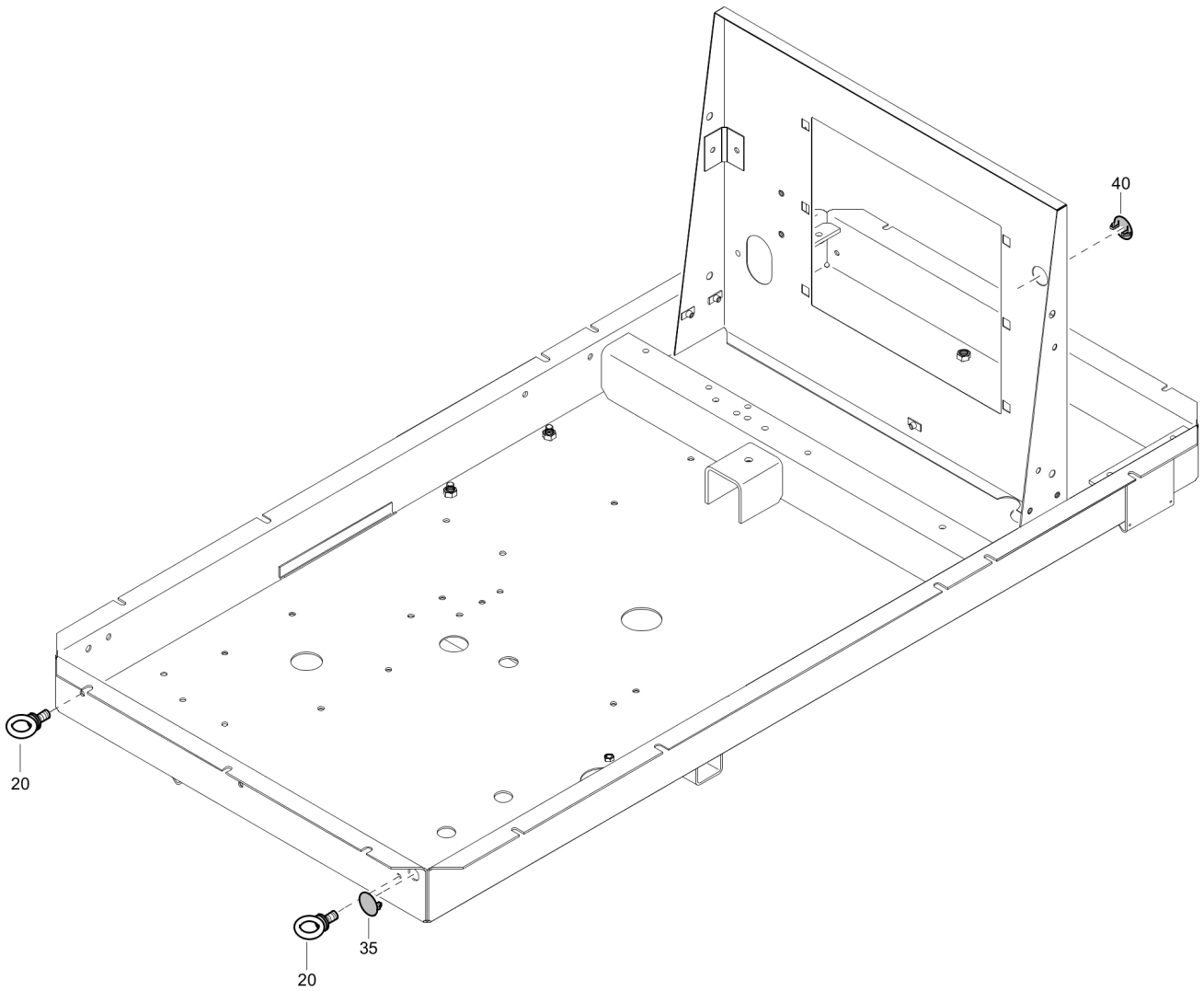
Id	Qty	Number	Name	Specifications
5	2	0690113200	LOGOTYPE LABEL	
10	1	1092037984	Data plate (Not available separately)	
15	4	0129310700	RIVET D3,2 X 6MM AL/AC	
20	1	1079992490	INSTRUCTION LABEL	
25	1	1079992368	INFORMATION LABEL	
30	2	1626090012	DECAL	
35	1	1092038365	LABEL	
40	1	1079991983	INFORMATION LABEL	
45	1	1079990229	DECAL	
50	1	1092062800	INSTRUCTION LABEL	
55	1	1079990258	DECAL	
60	1	1079992103	LABEL,WEB ATLAS, 545MM BLACK	
65	1	1079992207	INFORMATION LABEL	
75	1	1092038097	SPEED LIMIT LABEL	



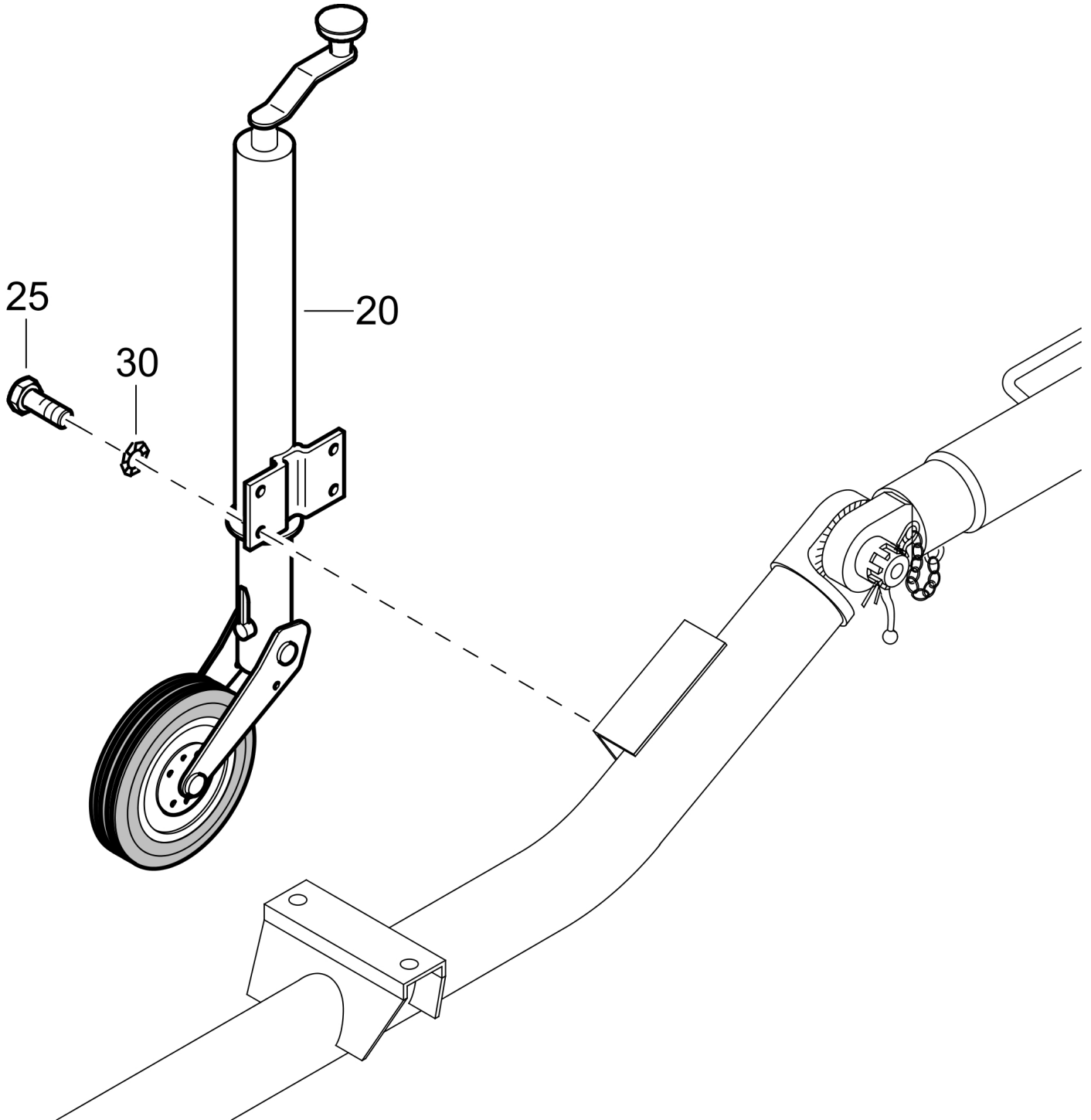
Id	Qty	Number	Name	Specifications
10	1	1092648600	BATTERY 65AH 570CCA	
70	1	1625016100	Vessel assembly	



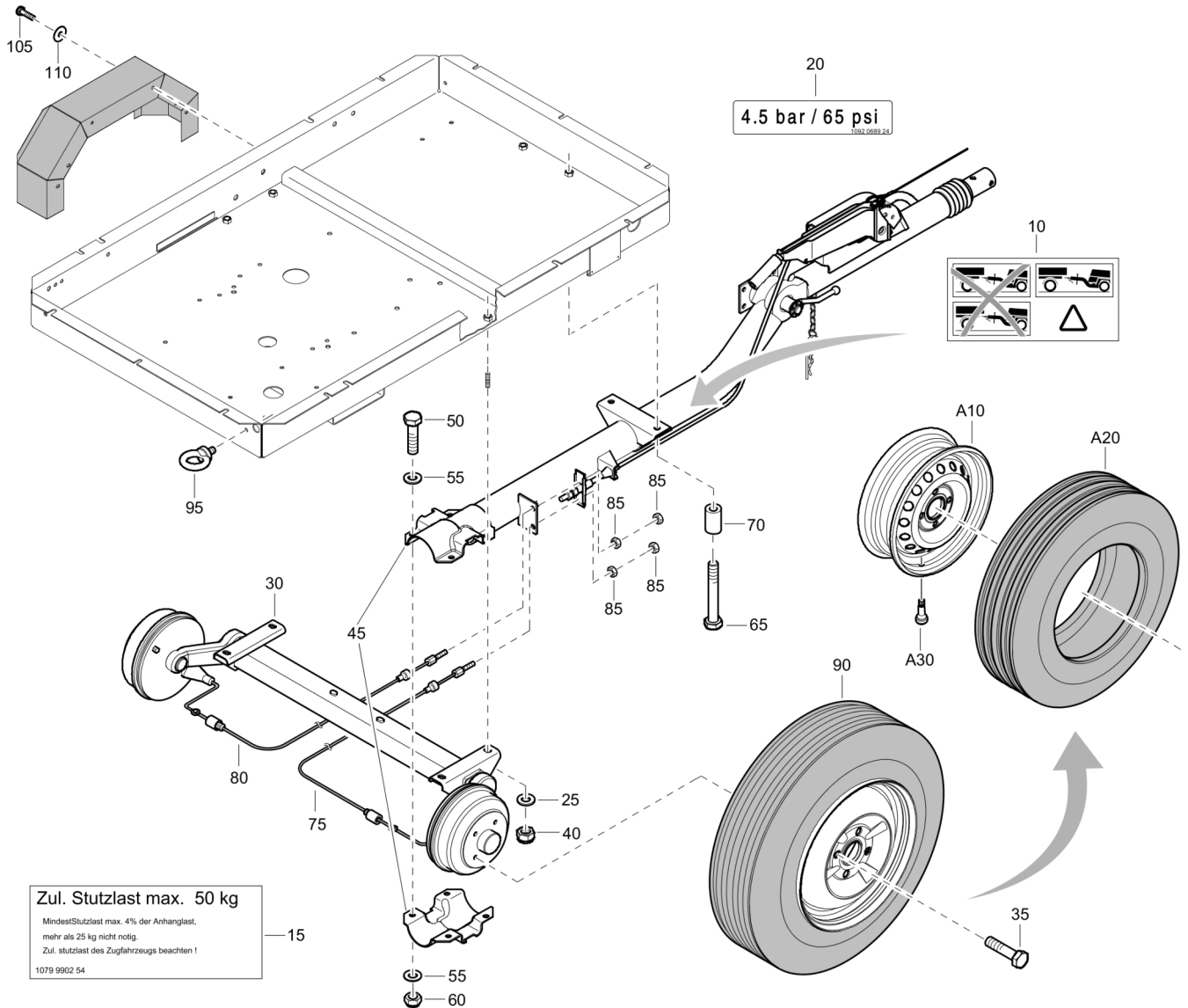
Id	Qty	Number	Name	Specifications
5	2	0147124903	HEX. HEAD SCREW	
10	1	1092061361	FRAME	
12	1	1092722500	Hose assembly	
15	1	0571003571	JOINT NIPPLE	
20	3	0653111500	GASKET 18X24X15	
22	1	1092722700	Hose assembly	
23	1	0627421300	PRESSURE SCREW	
25	1	0571003571	JOINT NIPPLE	
30	1	0653111500	GASKET 18X24X15	
35	1	0571003571	JOINT NIPPLE	
40	1	0653111500	GASKET 18X24X15	
50	2	0686423018	PLUG M18X1.5X12	
55	2	0266211200	HEXAGON NUT	
60	2	0653111500	GASKET 18X24X15	
65	8	0301235800	WASHER PLAIN 12	
70		1619518800	SEAL STRIP (25x3)	
75	7	0246195657	STUD	
80		1619518800	SEAL STRIP (25x3)	
85	15	1619276600	PAINT STRIPPING BOLT(M8x20)	
90	9	1619518800	SEAL STRIP (25x3)	
95	1	0266211100	NUT	
100	9	1619518800	SEAL STRIP (25x3)	
110		1615705700	SEAL	
120	2	1615705700	SEAL	
130		1615705700	SEAL	
140	2	1615705700	SEAL	
150		1615705700	SEAL	
160	2	1615705700	SEAL	
170		1615705700	SEAL	
180	2	1615705700	SEAL	
190	2	0147140003	PARAF.SEXT. M12X25MM FZB	
200	2	0301237100	FLAT WASHER 15X28X2.5FZB	
210	2	0663924400	O-RING	
220	2	0266211200	HEXAGON NUT	
230	1	0147132503	SCREW	
240	1	0301233500	PLAIN WASHER(A) 8.4 X 16 X 1.6	
250	1	0663311700	O-RING	
260	1	0266211000	NUT	



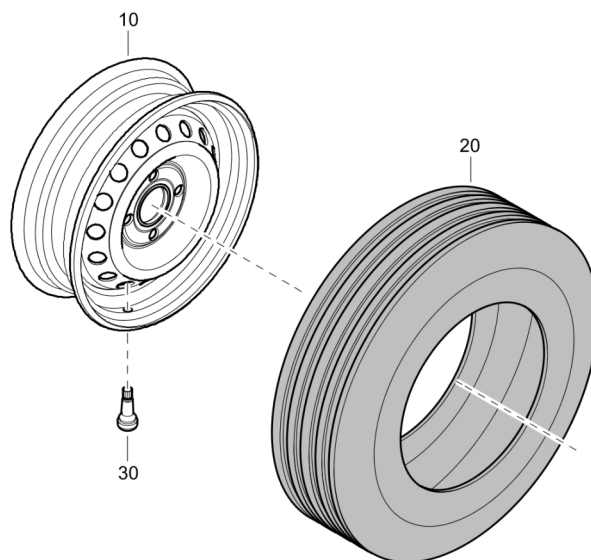
Id	Qty	Number	Name	Specifications
20	2	0371110020	Lifting eye	
35	1	1626412100	PLUG	
40	1	1626412100	PLUG	



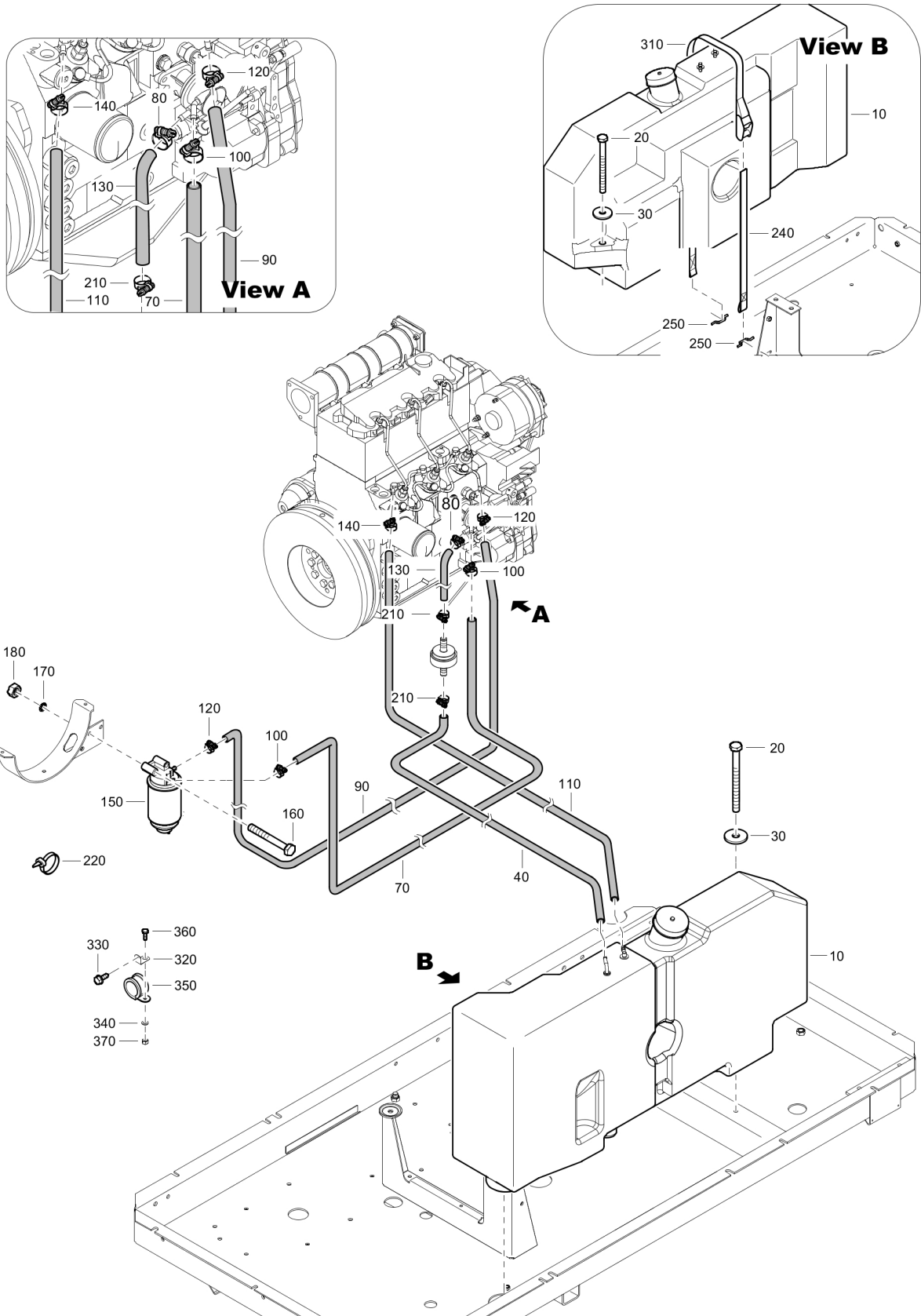
Id	Qty	Number	Name	Specifications
20	1	1615776900	SWIVEL WHEEL	
25	4	0147136203	HEX. BOLT M10X25X8.8	
30	4	0333323200	LOCK WASHER	



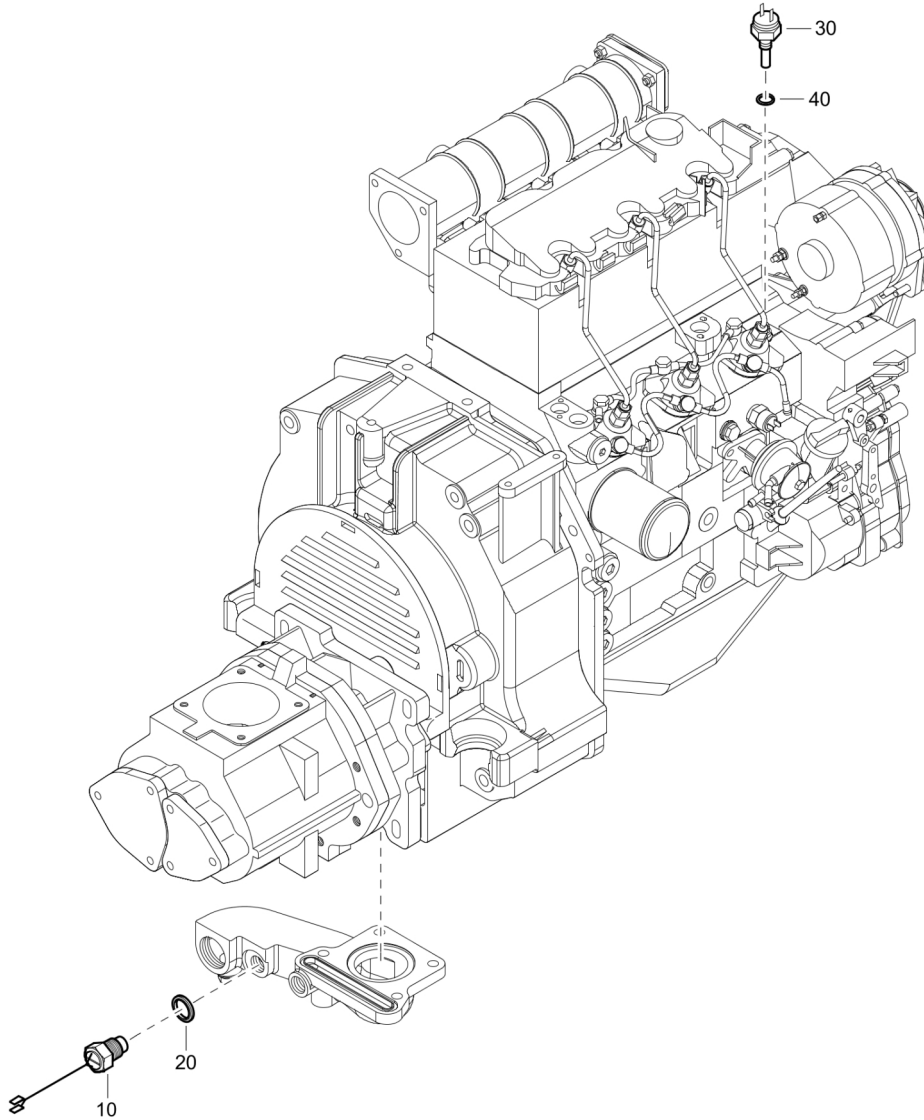
Id	Qty	Number	Name	Specifications
10	1	1079990200	LABEL:TOW BAR CONNECTION	
15	1	1079990254	LABEL	
20	2	1092068924	Tyre pressure label	
25	4	0301235800	WASHER PLAIN 12	
30	1	1604380300	AXLE	Version: 2
35	8	1626602900	BOLT HEXAGON	
40	4	0291111200	LOCK NUT M12 DIN985 CL8 FZB	
45	1	1604380613	TOWBAR	
50	4	0147140303	HEX. HEAD SCREW M12 X 40	
55	10	0301235800	WASHER PLAIN 12	
60	4	0291111200	LOCK NUT M12 DIN985 CL8 FZB	
65	2	0147141203	HEX. HEAD SCREW	
70	2	1615957500	SPACER	
75	1	1615935200	BRAKE CABLE	
80	1	1615935300	BRAKE CABLE	
85	4	0266211000	NUT	
90	2	1094124680	Tyre assembly	
95	2	0371110021	LIFTING EYE	
105	8	0147132303	HEX. HEAD SCREW M8 X 20	
110	8	0300801900	WASHER M8	



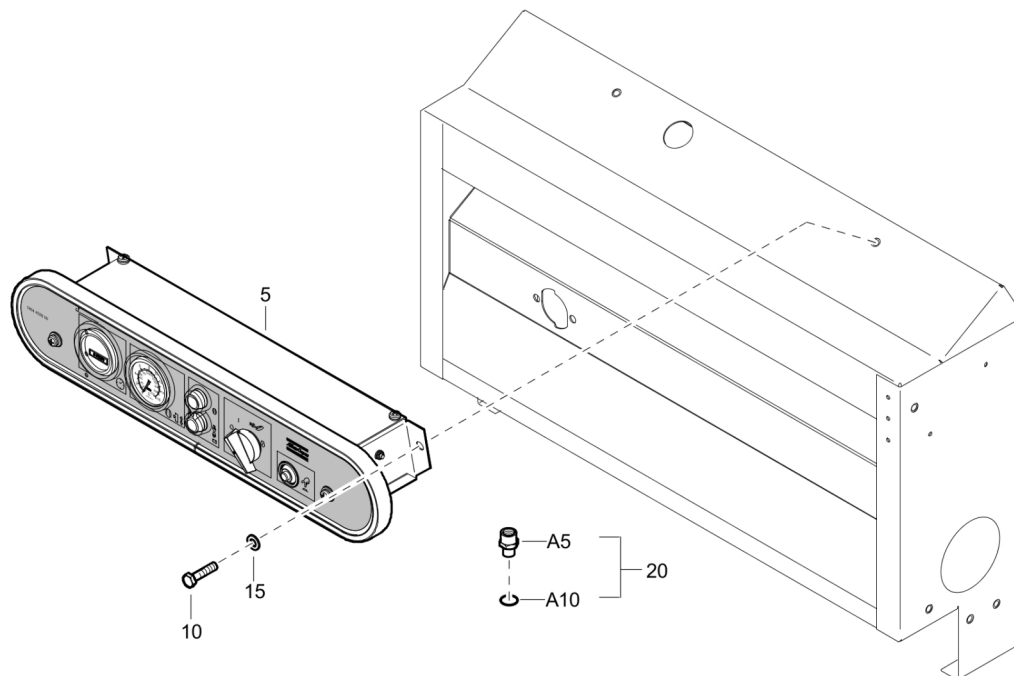
Id	Qty	Number	Name	Specifications
10	1	1604033300	DISC WHEEL	
20	1	1094124600	TYRE	
30	1	1092050409	VENTIL	



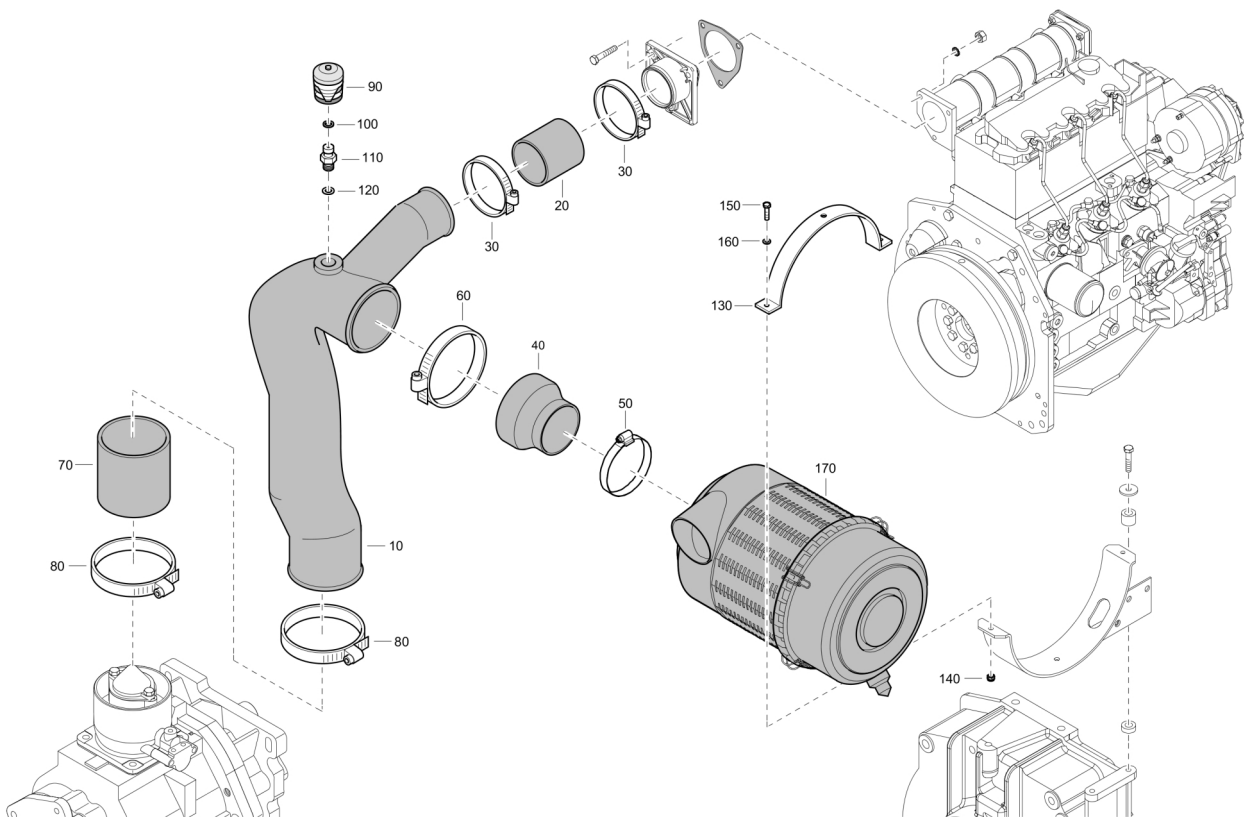
Id	Qty	Number	Name	Specifications
10	1	1604396485	TANK FUEL	
20	1	0147133803	SCREW:M 8X 90;HEX HD,ZN PLT,\$S	
30	1	0300027621	WASHER-FLAT:M 8.40/28.0X3.0T	
40		1092848300	FUEL HOSE	
70		1092848300	FUEL HOSE	
80	2	1092868800	FUEL HOSE CLIP	
90		1092848300	FUEL HOSE	
100	2	1092868800	FUEL HOSE CLIP	
110		1092848300	FUEL HOSE	
120	2	1092868800	FUEL HOSE CLIP	
130		1092848300	FUEL HOSE	
140	1	1092868800	FUEL HOSE CLIP	
150	1	1615881880	FUEL PRE-FILTER	
160	2	0147133103	HEX. HEAD SCREW	
170	2	0333322700	ARRUELA DENT.8,4	
180	2	0266211000	NUT	
210	2	1092868800	FUEL HOSE CLIP	
220	8	1088130103	CABLE TIE L186	
240	1	1626406800	STRAP	
250	2	1616461300	RETAINER	
310	1	1092038257	NYLON BAND	
320	1	1613080700	SUPPORT	
330	1	0147132203	PARAF M8X16 DIN933 8.8 FZB	
340	1	0300027621	WASHER-FLAT:M 8.40/28.0X3.0T	
350	1	1619286108	CLAMP	
360	1	0147124703	HEX. HEAD SCREW M6 X 20	
370	1	0291110800	LOCK NUT	



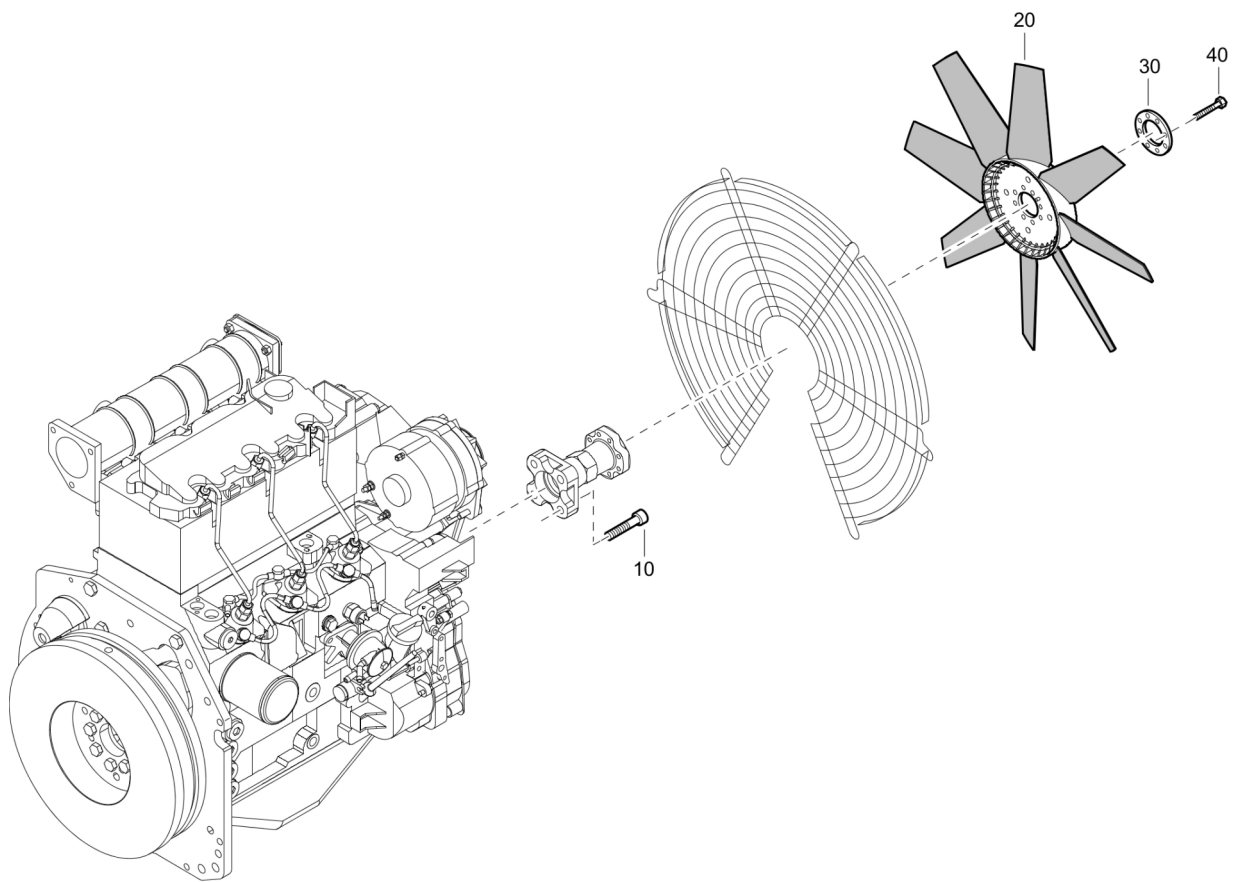
Id	Qty	Number	Name	Specifications
10	1	1089063725	SWITCH TEMP.	
20	1	0661103300	SEAL WASHER 21.5 X 28 X 2.5	
30	1	1089063712	TEMPERATURE SWITCH	
40	2	0653107000	GASKET 14 X 18 X 1.5	



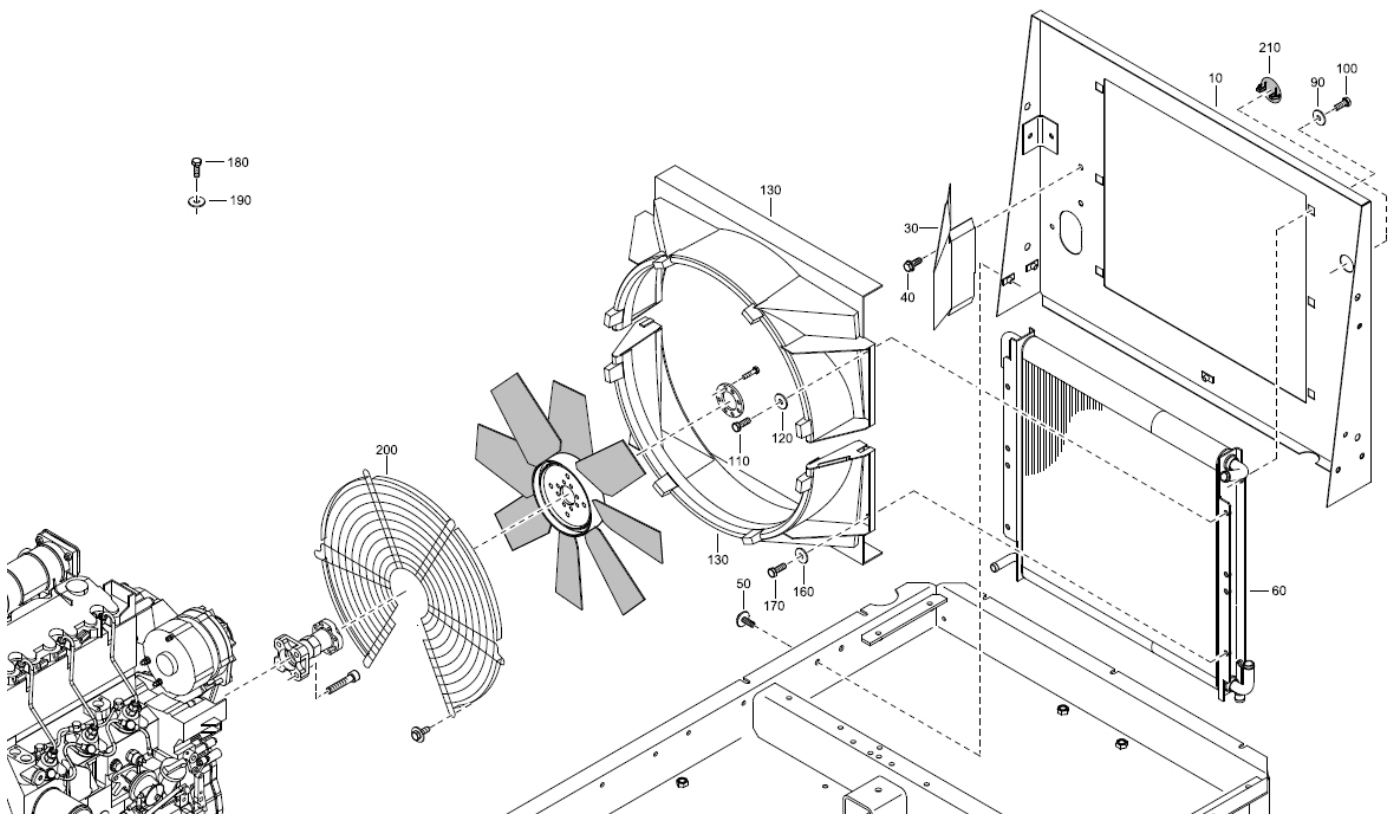
Id	Qty	Number	Name	Specifications
5	1	1625002138	CONTROL BOX	Version: 1
10	2	0147132603	HEX. HEAD SCREW M8 X 30	
15	2	0301233500	PLAIN WASHER(A) 8.4 X 16 X 1.6	
20	2	1625002449	LOOSE PARTS OF CONTROL BOX	
A5	2	2200750570	Coupling	
A10	2	0663903100	O-ring	



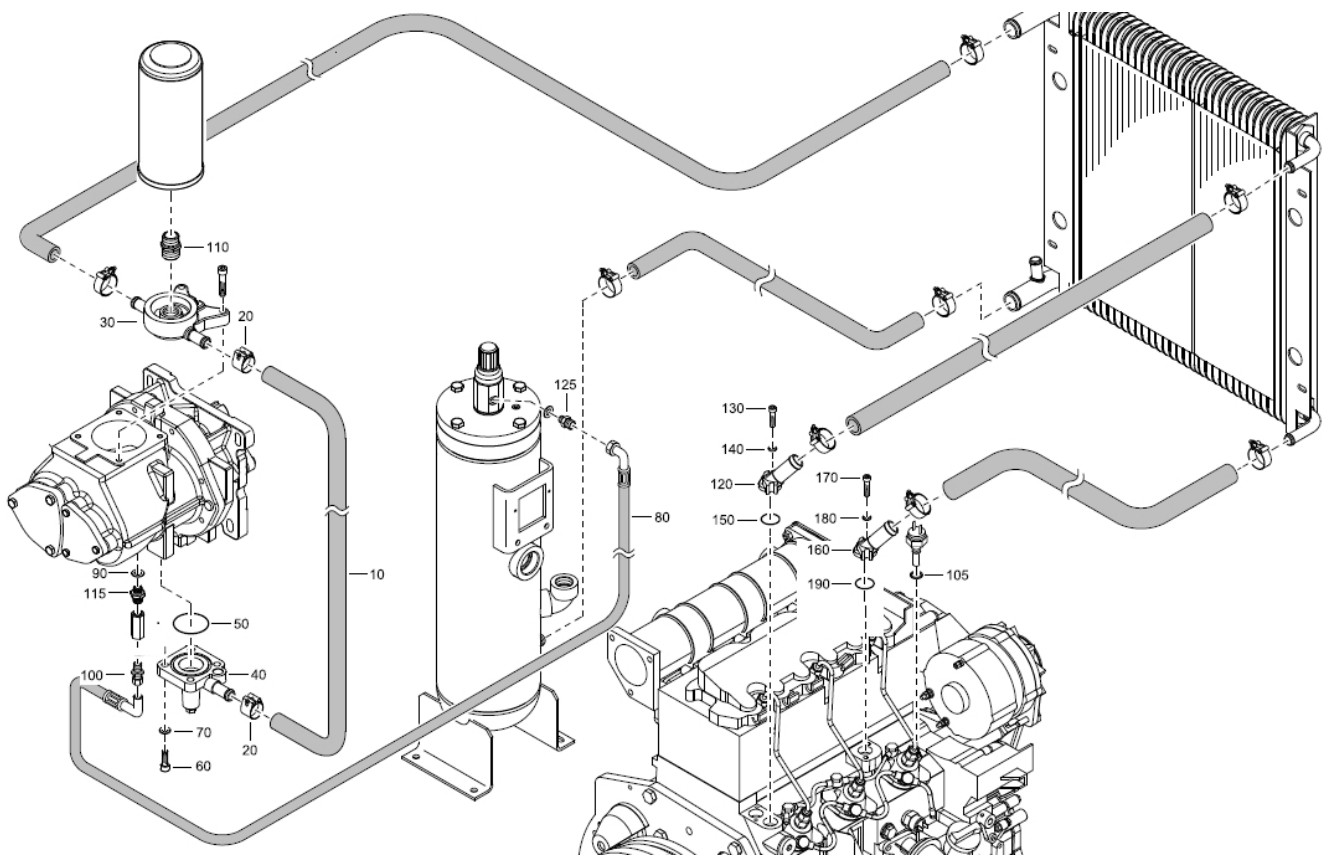
Id	Qty	Number	Name	Specifications
10	1	1615973000	AIRDUCT	
20	1	1615770400	Hose	
30	2	0347610004	CLAMP	
40	1	2250526500	RUBBER HOSE	
50	1	0347613100	HOSE CLAMP	
60	1	0347611500	HOSE CLIP	
70	1	1615770600	HOSE	
80	2	0347611500	HOSE CLIP	
90	1	1613791201	RESTRICTION INDIC.	
100	1	0661101400	SEALING WASHER	
110	1	1612215200	NIPPLE HEXAGON	
120	1	0653104600	FLAT GASKET	
130	1	1615813800	CLAMP	
140	2	0291110800	LOCK NUT	
150	2	0147124903	HEX. HEAD SCREW	
160	2	0301232100	WASHER M6	
170	1	1615775901	AIR FILTER	



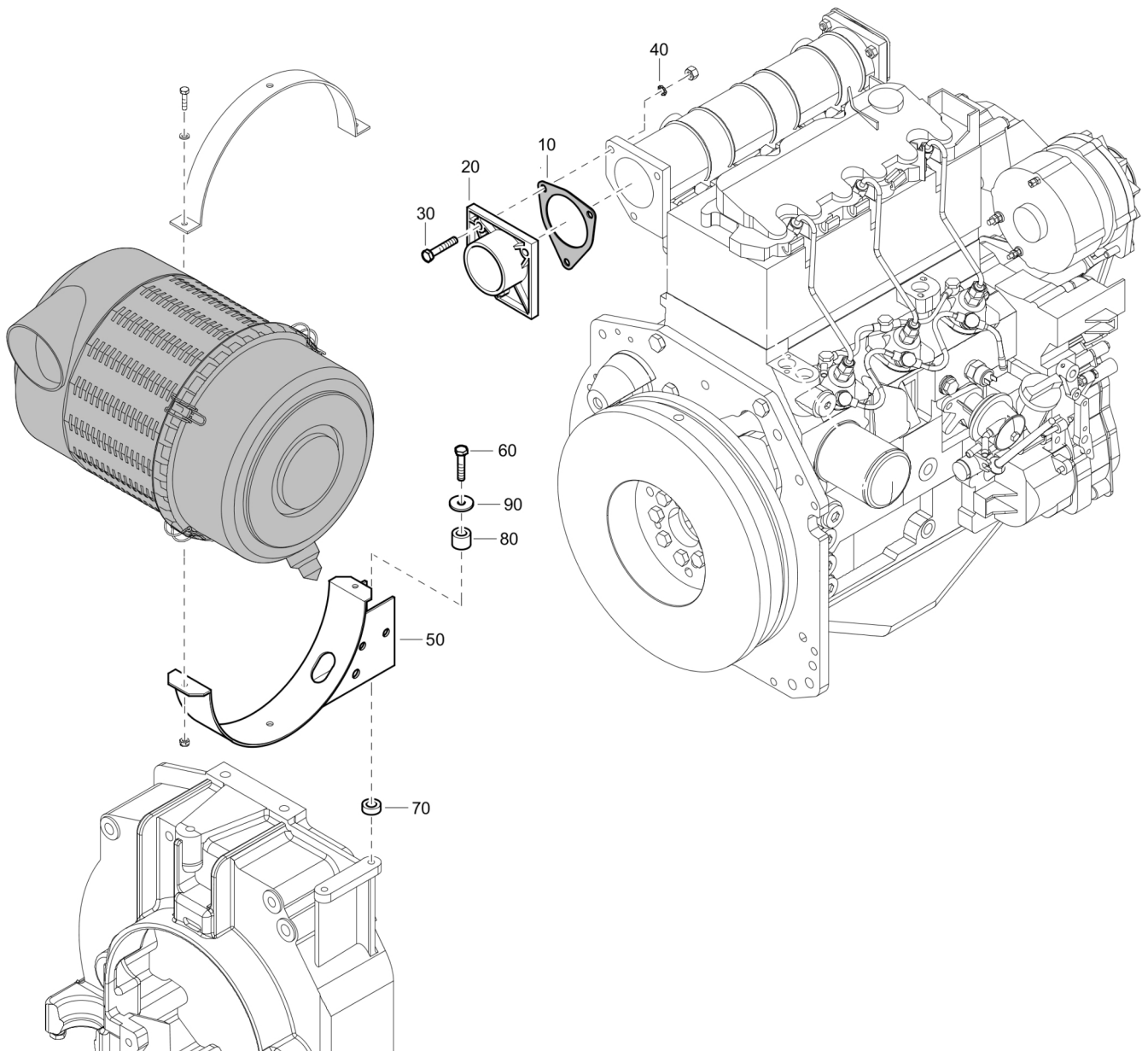
Id	Qty	Number	Name	Specifications
10	4	0211196301	HEX SOCK. SCREW	
20	1	1604585400	FAN	
30	1	1615769000	RING	
40	8	0147196402	SCREW	



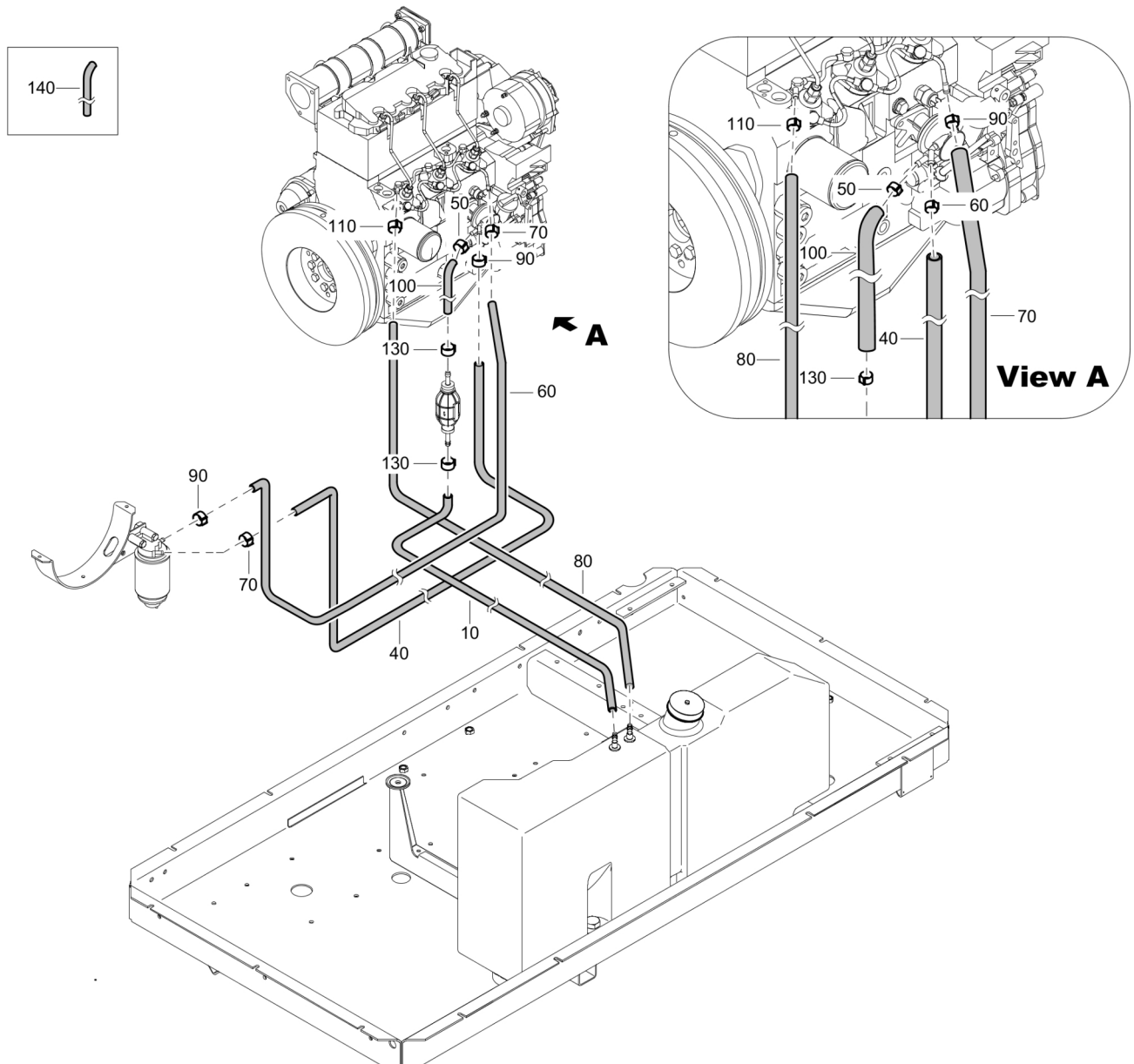
Id	Qty	Number	Name	Specifications
10	1	1092360880	COOLER PLATE	
30	1	1604578000	PROTECTION	
40	2	1619276600	PAINT STRIPPING BOLT(M8x20)	
50	4	1604342300	SCRAPER BOLT	
60	1	1092050403	COMBINE OIL COOLER	
90	4	0300801900	WASHER M8	
100	4	0147132303	HEX. HEAD SCREW M8 X 20	
110	2	0147132303	HEX. HEAD SCREW M8 X 20	
120	2	0300801900	WASHER M8	
130	2	1615774902	FAN COWL	
160	2	0300801900	WASHER M8	
170	2	0147132303	HEX. HEAD SCREW M8 X 20	
180	2	0147132303	HEX. HEAD SCREW M8 X 20	
190	2	0300801900	WASHER M8	
200	1	1625004707	FAN GUARD	
210	1	1626412100	PLUG	



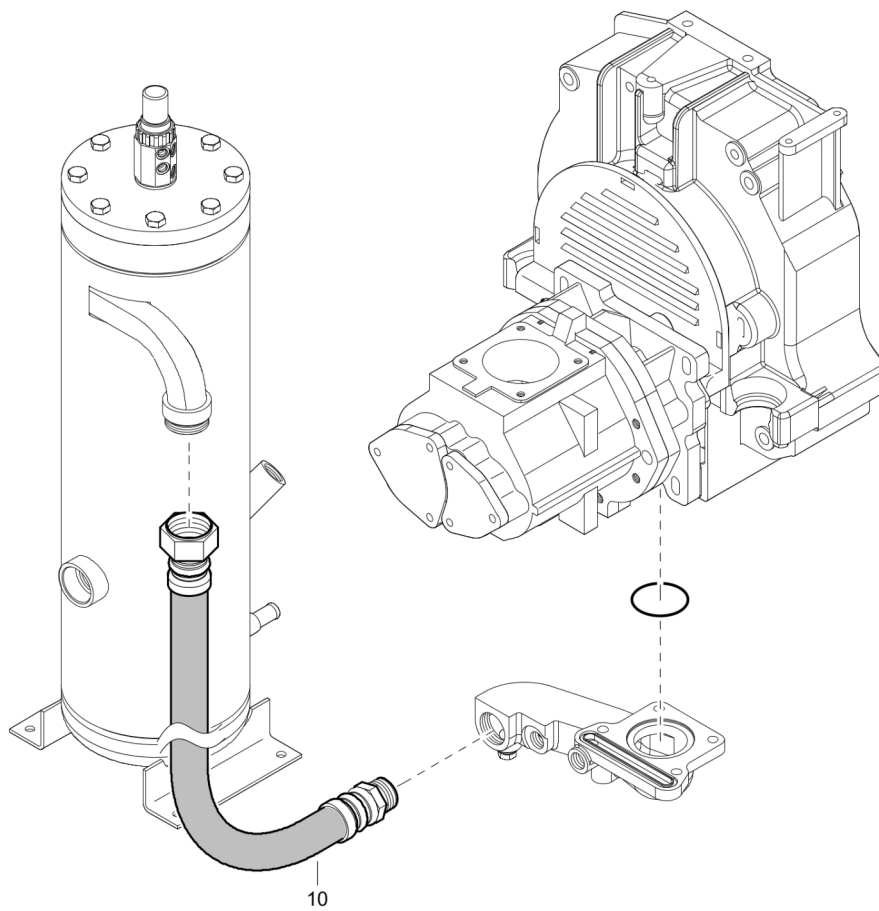
Id	Qty	Number	Name	Specifications
10		0072840316	TUBE	
20	2	1092323800	HOSE CLAMP	
30	1	1615776703	FILTER HOUSING	
40	1	1615776880	FLANGE ASSY.	
50	1	0663713500	O-RING 54.5 X 3	
60	4	0211132503	HEX SOCK. SCREW M8 X 25	
70	4	0301233500	PLAIN WASHER(A) 8.4 X 16 X 1.6	
80	1	0575046134	HOSE ASSEMBLY	
90	1	0653104600	FLAT GASKET	
100	1	0581000047	COUPLING:M 6ODTXG .125MALE,\$ST	
105	2	0653107000	GASKET 14 X 18 X 1.5	
110	1	1619377000	NIPPLE	
115	1	1092399600	NIPPLE HEXAGON	
120	1	1604403500	Connection	
125	1	0603550100	NIPLE 1/4-1/8	
130	2	0211124903	HEX SOCK. SCREW	
140	2	0301232100	WASHER M6	
150	1	1604332100	O-ring	
160	1	1604403500	Connection	
170	2	0211124903	HEX SOCK. SCREW	
180	2	0301232100	WASHER M6	
190	1	1604332100	O-ring	



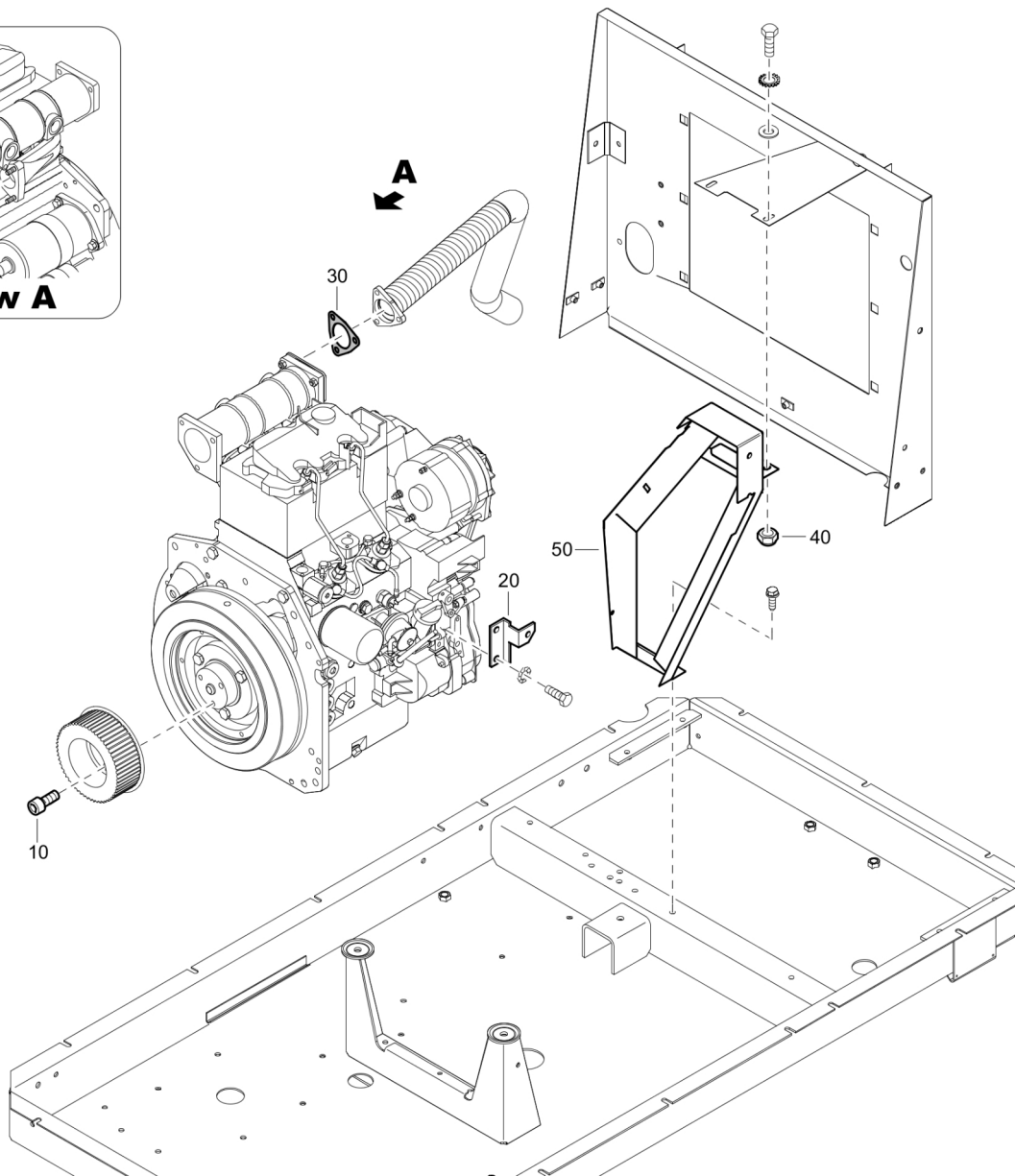
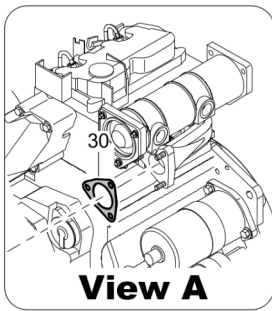
Id	Qty	Number	Name	Specifications
10	1	1202991000	GASKET	
20	1	1092039463	ADAPTOR	
30	3	0147132803	SCREW:M 8X 40;HEX HD,ZN PLT,\$S	
40	3	0333322700	ARRUELA DENT.8,4	
50	1	1615813903	BRACKET	
60	2	0147132703	HEX. BOLT M8X35X8.8	
70	4	1604201300	DAMPER	
80	2	0324100023	DISTANCE SLEEVE	
90	2	0300027621	WASHER-FLAT:M 8.40/28.0X3.0T	



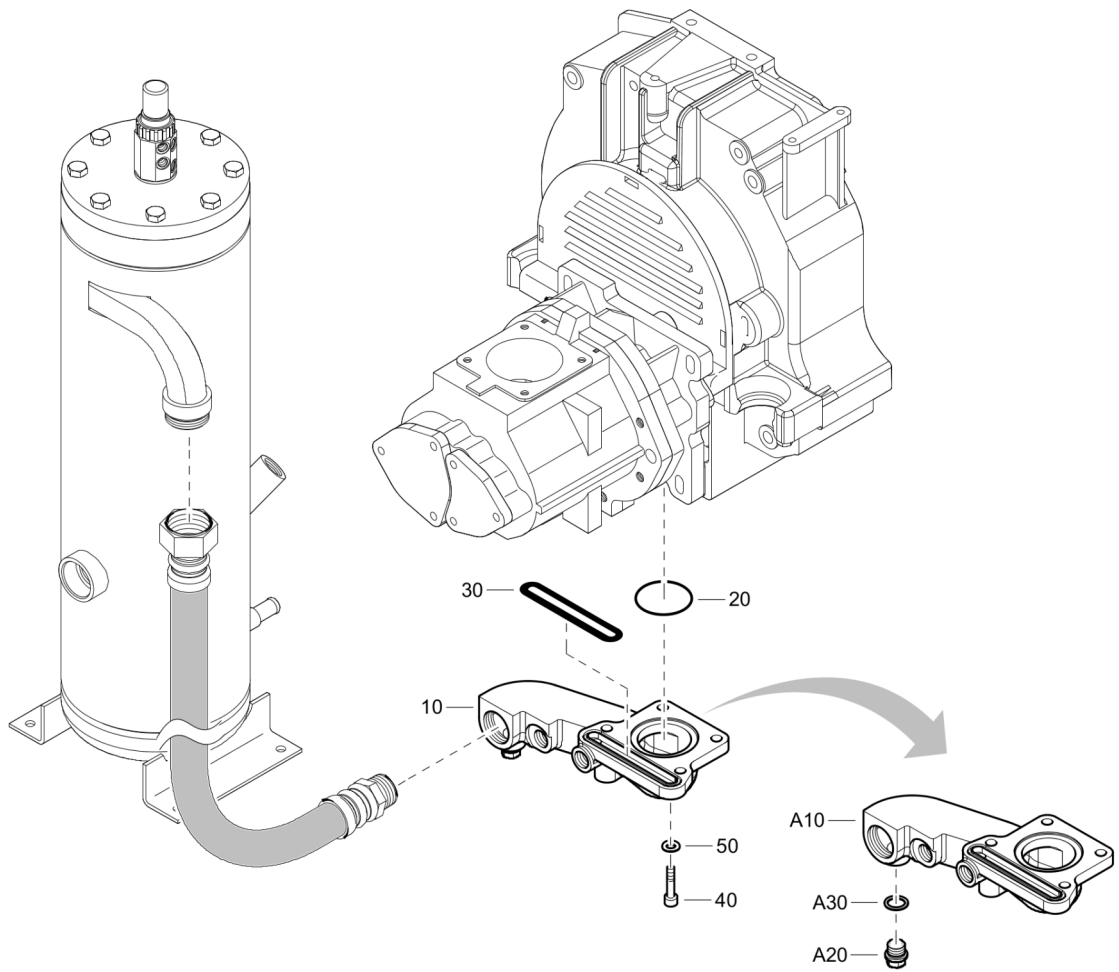
Id	Qty	Number	Name	Specifications
10		0071840248	FUEL HOSE	
40		0071840248	FUEL HOSE	
50	2	1604413700	HOSE CLIP	
60		0071840248	FUEL HOSE	
70	2	1604413700	HOSE CLIP	
80		0071840248	FUEL HOSE	
90	2	1604413700	HOSE CLIP	
100		0071840248	FUEL HOSE	
110	1	1604413700	HOSE CLIP	
130	2	1604413700	HOSE CLIP	



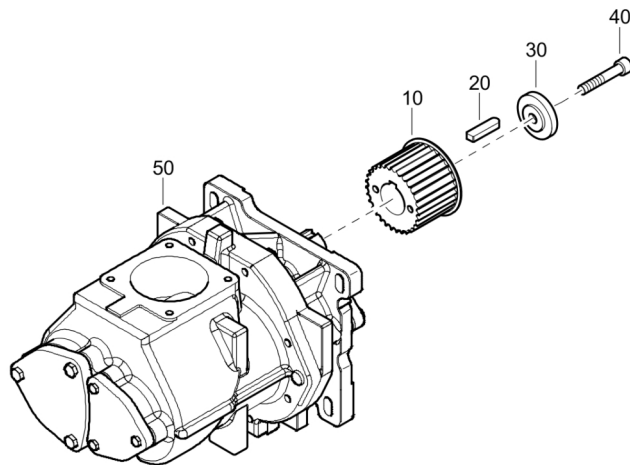
Id	Qty	Number	Name	Specifications
10	1	1604574400	HOSE	



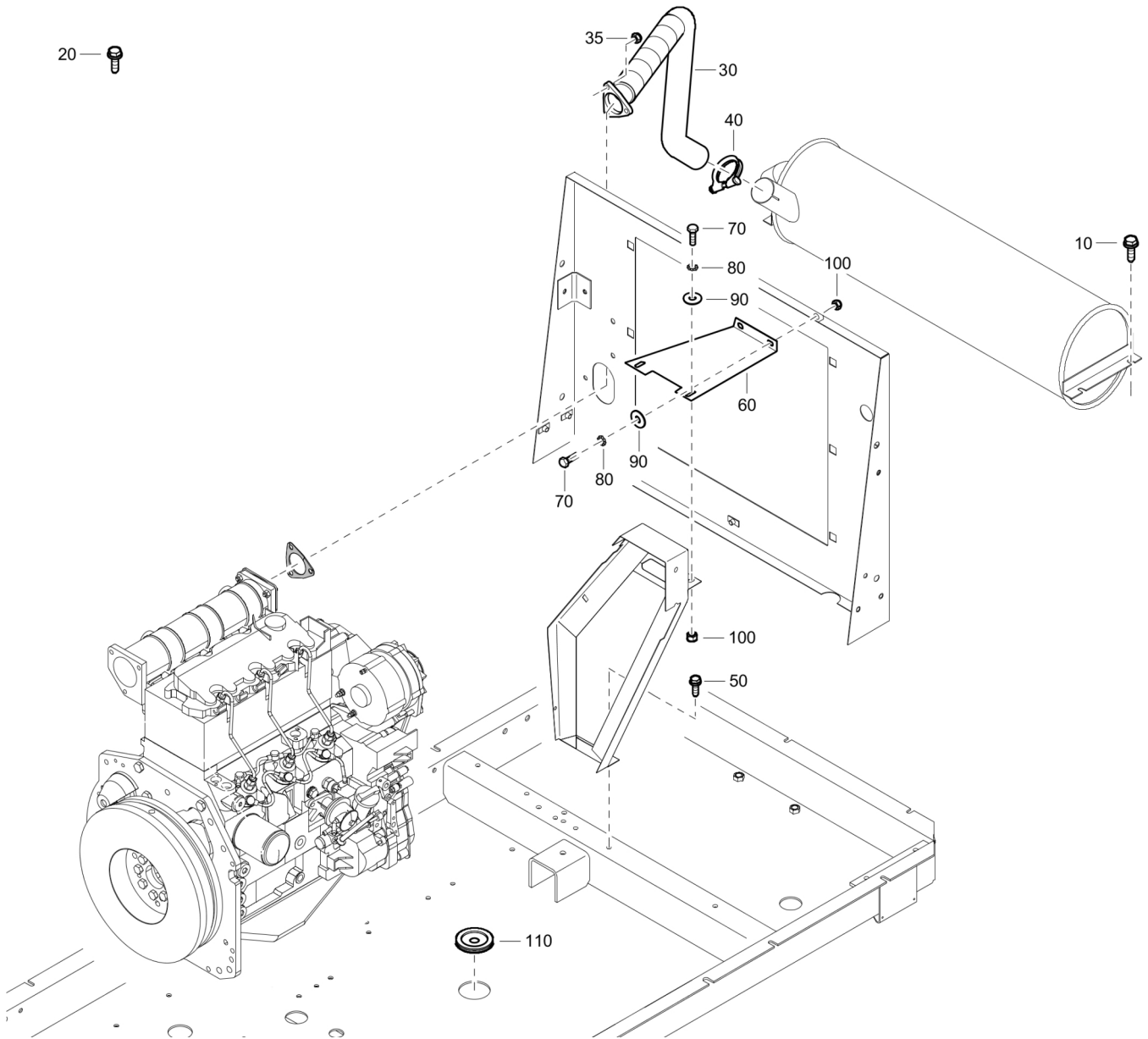
Id	Qty	Number	Name	Specifications
10	3	0211136400	SCREW:M10X 35;SOC HD,CAP,\$STL	
20	1	1615911200	LEVER	
30	1	1626488700	GASKET	
40	3	0291118504	LOCK NUT M8	
50	1	1604405300	SCREEN	



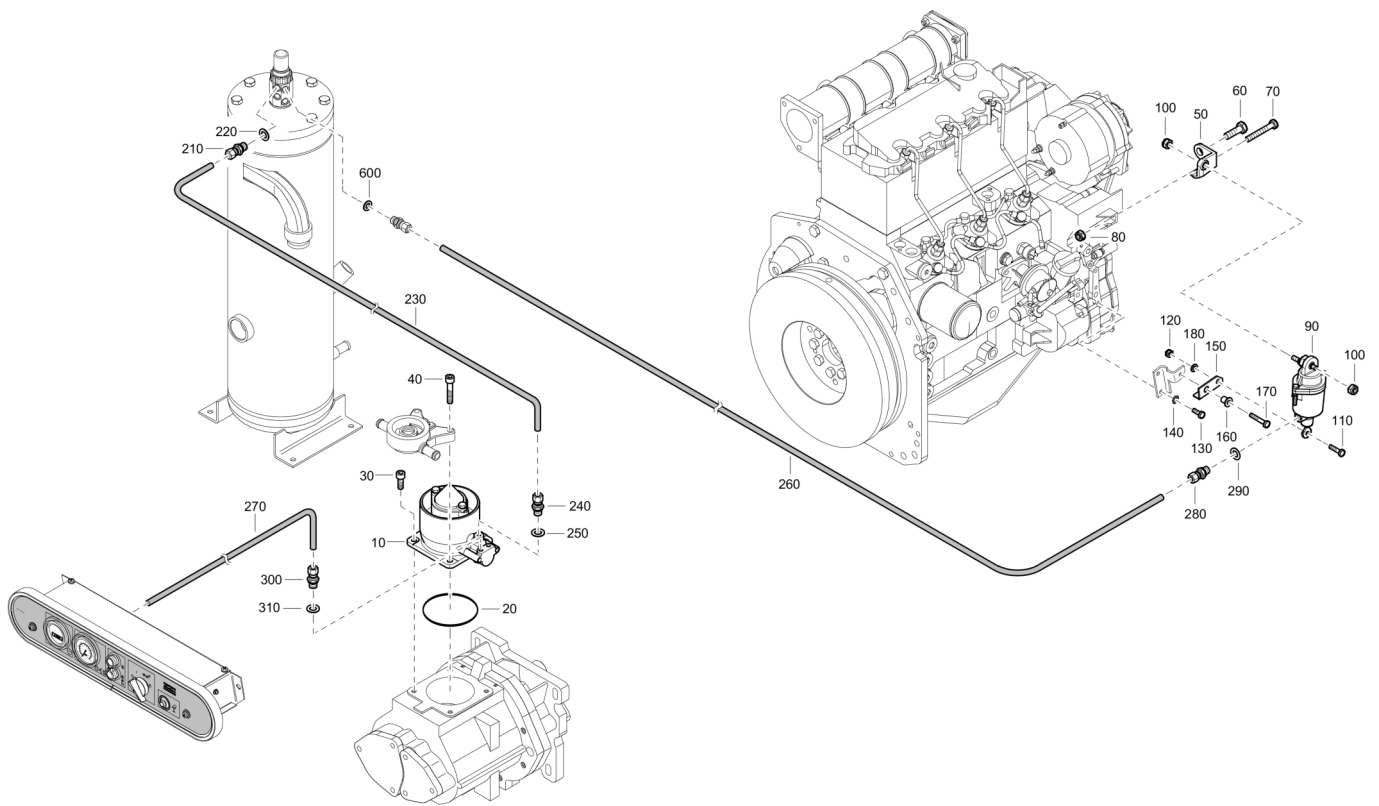
Id	Qty	Number	Name	Specifications
10	1	1604397980	MANIFOLD ASSY	
20	1		O-RING	
30	1		O-RING	
40	4	0211196288	HEX SOCK. SCREW	
50	4	0301233500	PLAIN WASHER(A)	8.4 X 16 X 1.6



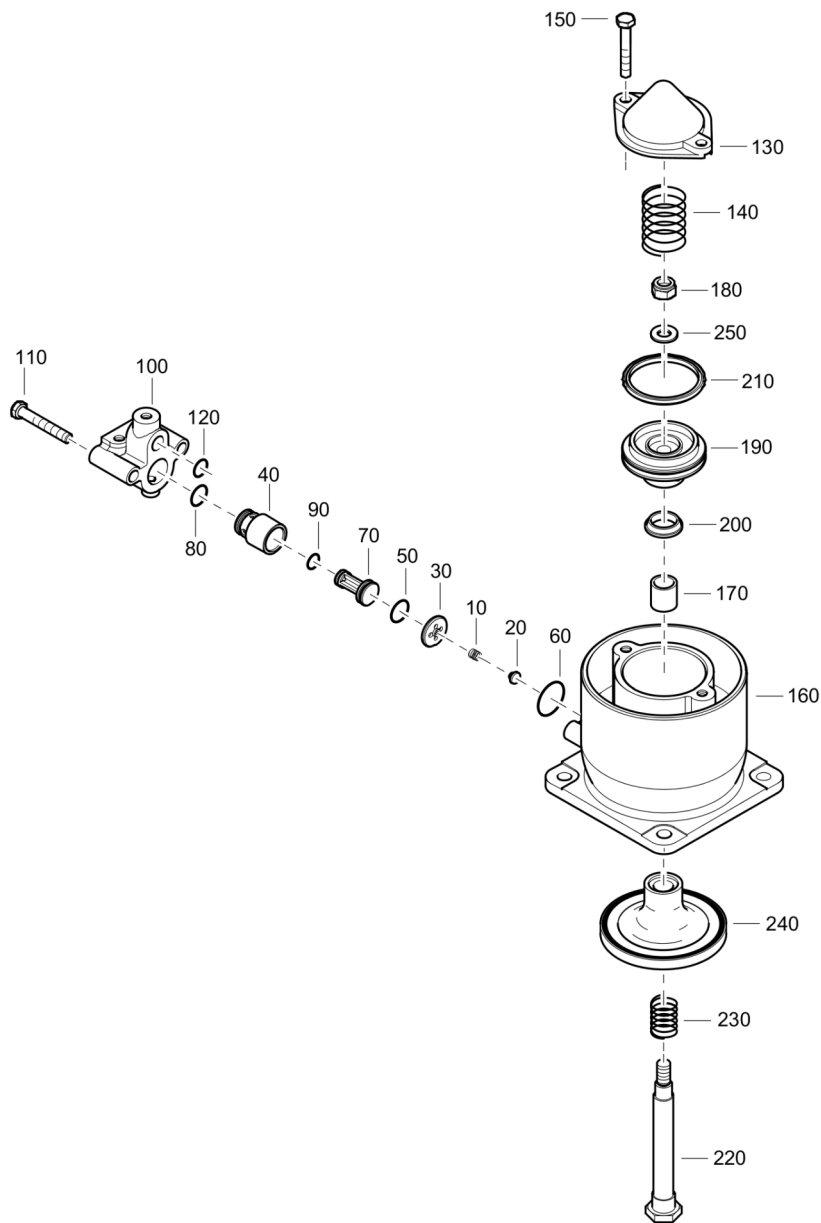
Id	Qty	Number	Name	Specifications
10	1	1615834200	PULLEY	
20	1	0337606100	Parallell key	
30	1	1615601003	WASHER	
40	1	0211136800	SCREW HEXAGON	
50	1	1616626091	Service stage	



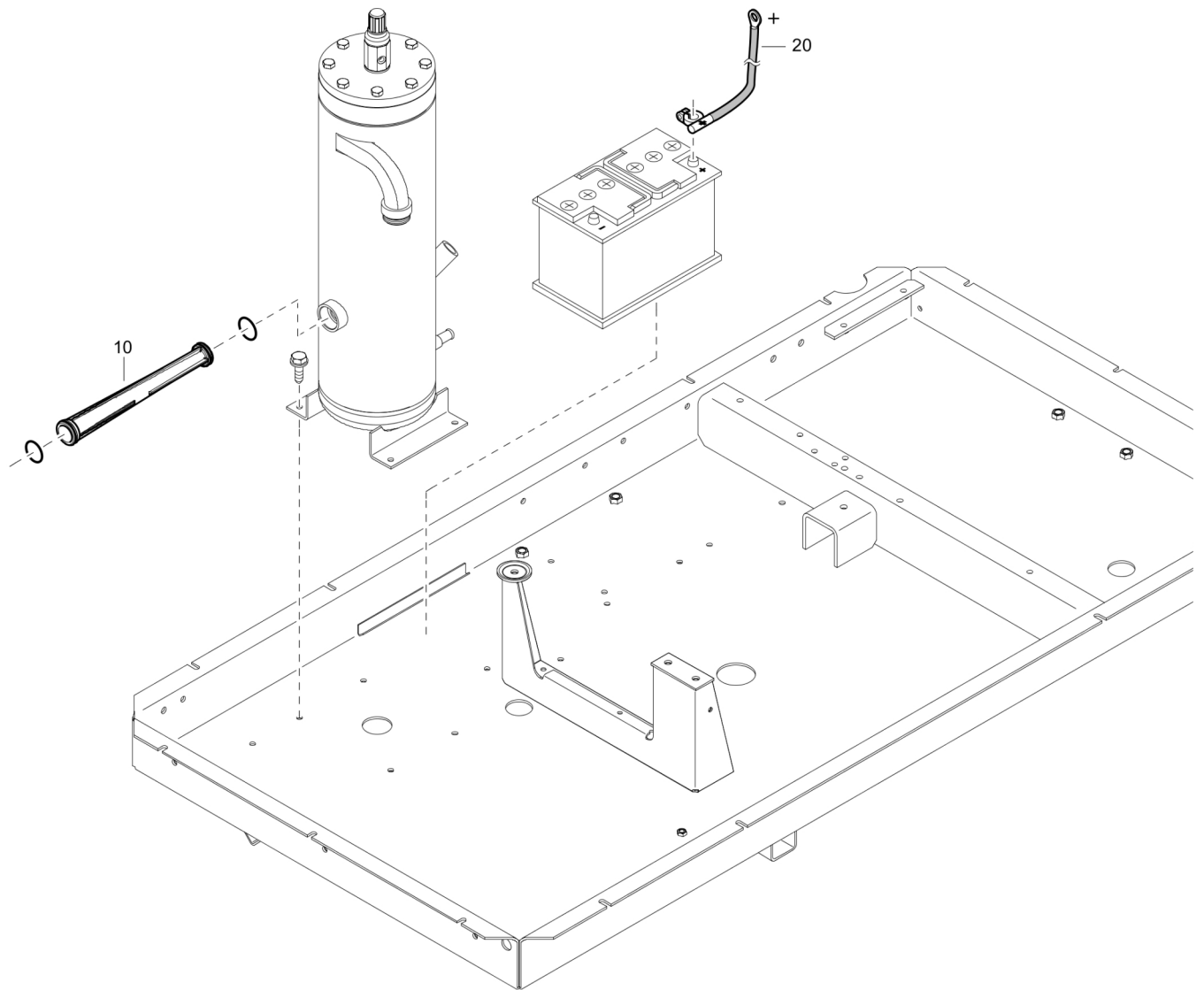
Id	Qty	Number	Name	Specifications
10	4	1615566400	HEX. HEAD SCREW	
20	1	1615566400	HEX. HEAD SCREW	
30	1	1604580400	PIPE WITH FLEXIBLE	
35	3	0291118504	LOCK NUT M8	
40	1	0346300108	PIPE CLAMP	
50	2	1615566400	HEX. HEAD SCREW	
60	1	1604405402	PLATE	
70	4	0147132203	PARAF M8X16 DIN933 8.8 FZB	
80	4	0333322700	ARRUELA DENT.8,4	
90	4	0300027434	PLAIN WASHER(A) 8.4 X 21 X 1.5	
100	4	0266211000	NUT	
110	1	1604610500	Grommet	



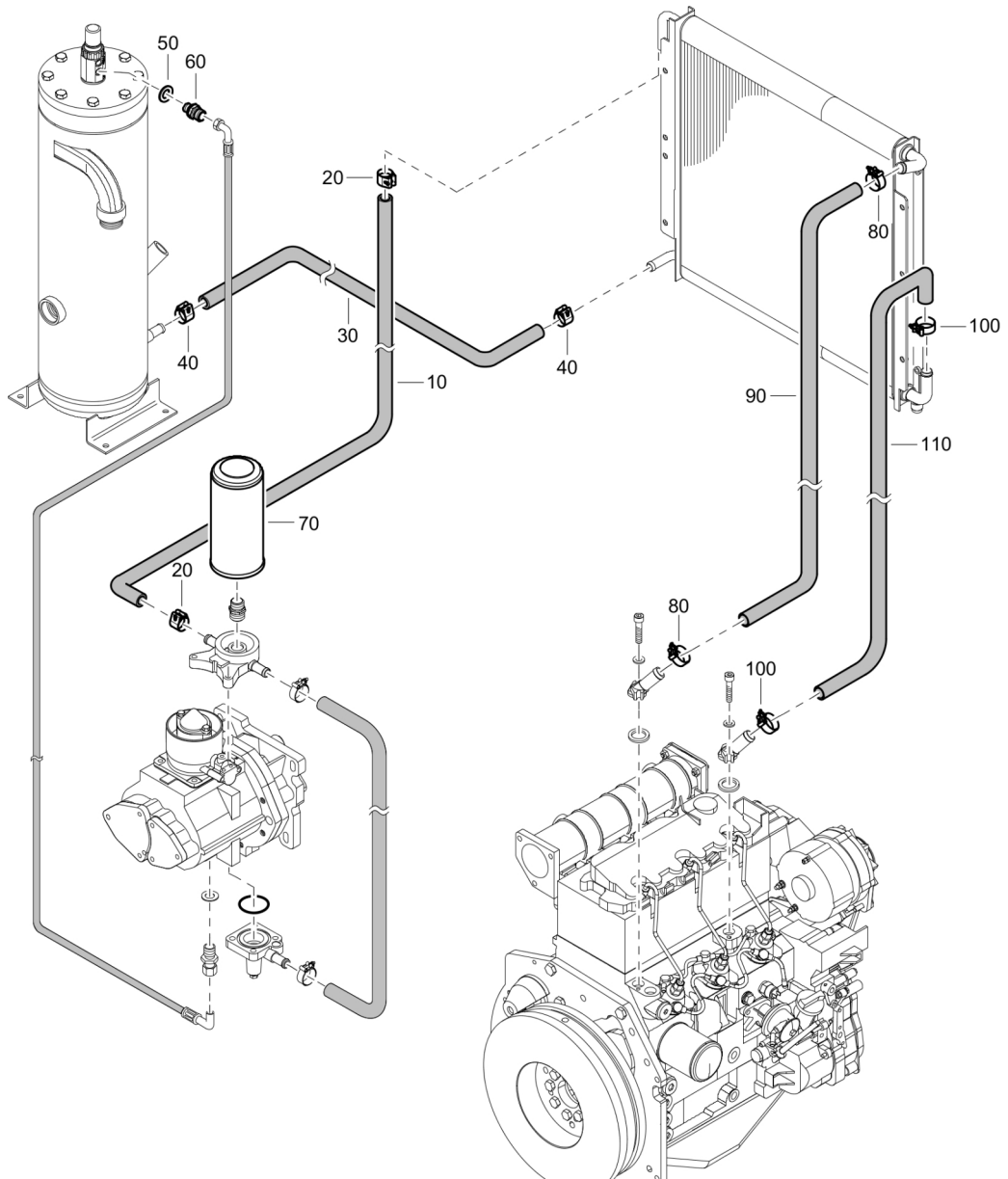
Id	Qty	Number	Name	Specifications
10	1	1615766786	VALVE:UNLOADER C-111	
20	1	0663210616	O-RING	
30	2	0211132303	SCREW	
40	2	0211132803	SCREW HEXAGON	
50	1	1615838101	BRACKET	
60	1	0147136315	SCREW	
70	1	0211133203	Hex sock. Screw	
80	1	0291111000	LOCK NUT M8	
90	1	1615767683	ACTUATOR	Version: 3
100	2	0291111000	LOCK NUT M8	
110	1	0147124703	HEX. HEAD SCREW M6 X 20	
120	2	0291110800	LOCK NUT	
130	2	0147125003	HEX. BOLT M6X30X8.8	
140	2	0333322000	LOCK WASHER	
150	1	1615911303	BRACKET	
160	1	1626407201	BUSHING	
170	1	0147125003	HEX. BOLT M6X30X8.8	
180	2	0301232100	WASHER M6	
210	1	0582120006	STRAIGHT PIPE COUPLING	
220	1	0653104300	GASKET	
230		0070600205	TUBE ID5.5 OD8 BLACK	
240	1	0582120005	FLAT GASKET	
250	1	0653104300	GASKET	
260	6	0070600204	TUBE:M 6.0ODX 4.0ID, BLACK	
270		0070600204	TUBE:M 6.0ODX 4.0ID, BLACK	
280	1	0582120005	FLAT GASKET	
290	1	0653104300	GASKET	
300	1	0582120005	FLAT GASKET	
310	1	0653104300	GASKET	
600	1	0301233500	PLAIN WASHER(A) 8.4 X 16 X 1.6	



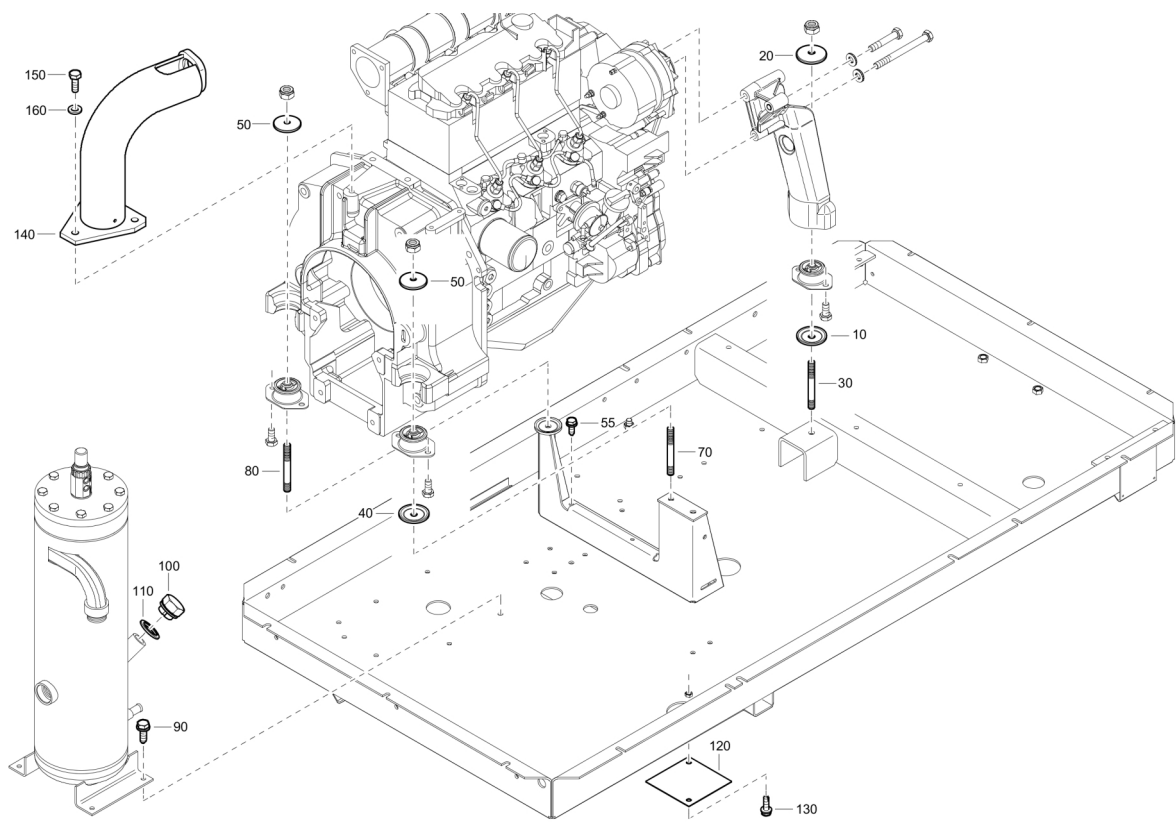
Id	Qty	Number	Name	Specifications
10	1		SPRING	
20	1		VALVE	
30	1	1615834600	RETAINER	
40	1	1615834501	BUSHING	
50	1		O-RING	
60	1		O-RING	
70	1		VALVE	
80	1		O-RING	
90	1		O-RING	
100	1		Housing (not available separately)	
110	2	0147125212	HEX. HEAD SCREW	
120	1		O-RING	
130	1	1615766701	COVER	
140	1		SPRING	
150	2	0147125112	SCREW	
160	1	1615766802	HOUSING	
170	1		Plain bearing (not available separately)	
180	1	0291111000	LOCK NUT M8	
190	1	1615875500	PISTON	
200	1	0665911000	WIPER	
210	1	0665099954	SEAL DIA42XT3.3	
220	1		PISTON ROD	
230	1	1604038801	SPRING	
240	1	1615767000	VALVE	
250	1	0301233500	PLAIN WASHER(A) 8.4 X 16 X 1.6	



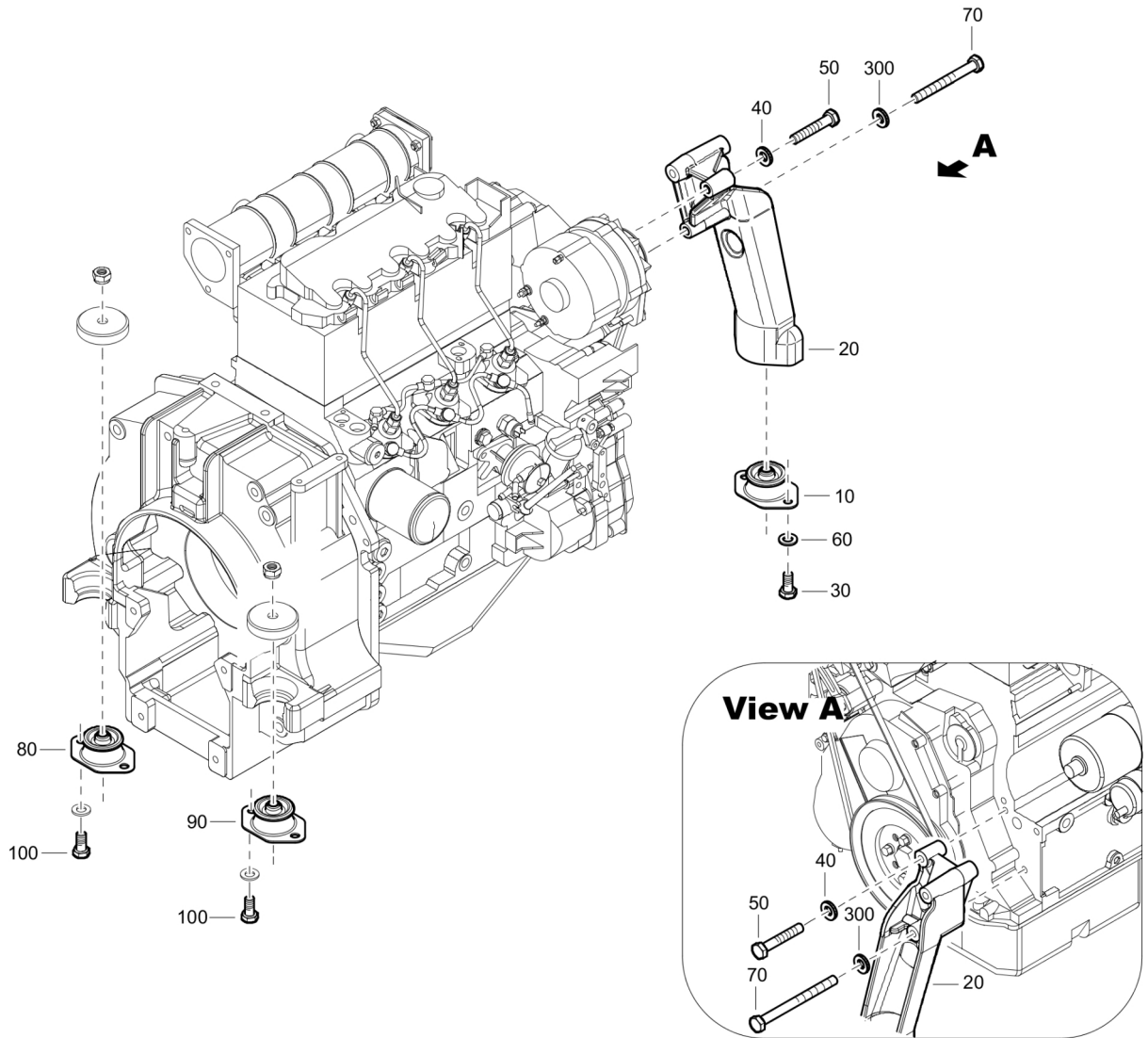
Id	Qty	Number	Name	Specifications
10	1	1604403000	RESTRICTOR	
20	1	1092042305	BATTERY CABLE	



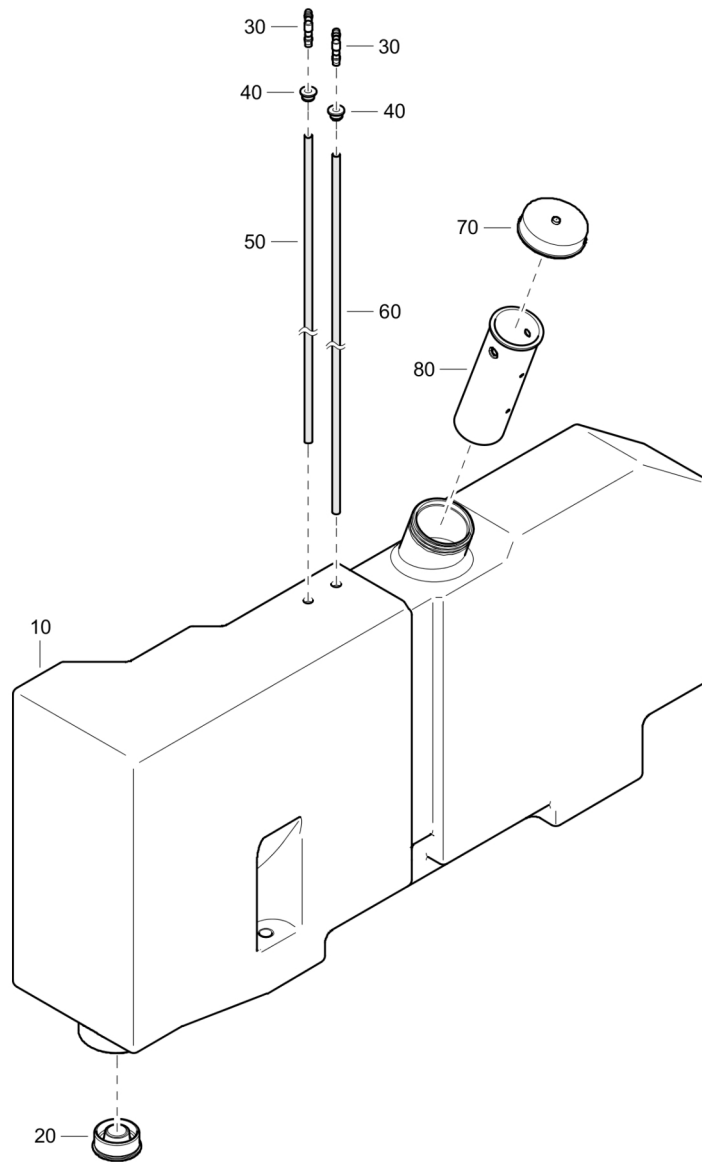
Id	Qty	Number	Name	Specifications
10		0072840316	TUBE	
20	2	1092323800	HOSE CLAMP	
30		0072840316	TUBE	
40	2	1092323800	HOSE CLAMP	
50	1	0653104600	FLAT GASKET	
60	1	1079584001	NIPPLE	
70	1	1613610500	OIL FILTER	
80	2	1202866302	HOSE CLIP	
90		0072840326	HOSE	
100	2	1202866302	HOSE CLIP	
110		0072840326	HOSE	



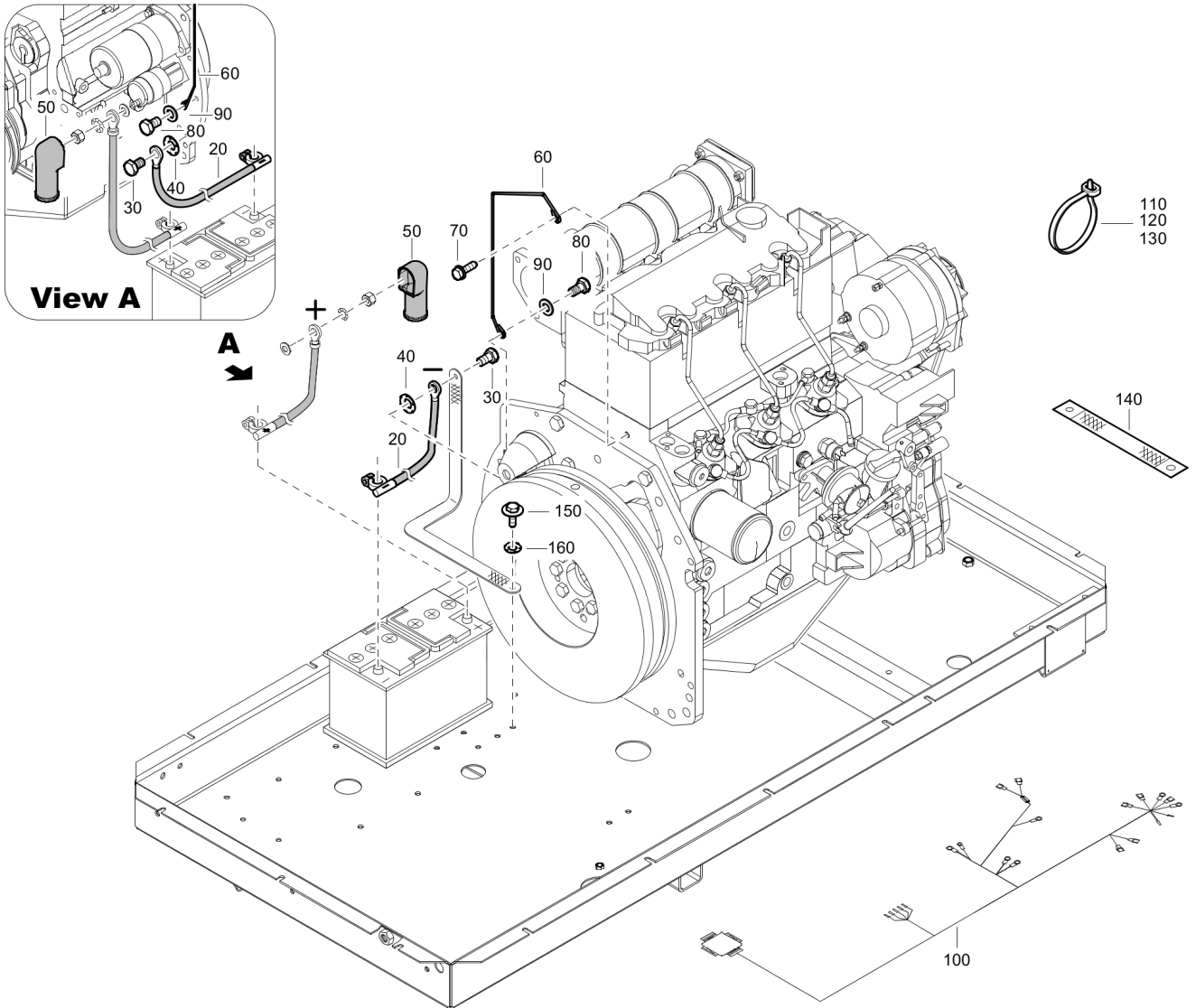
Id	Qty	Number	Name	Specifications
10	1	1202871900	WASHER PLAIN	
20	1	1604422001	DISC	
30	1	0246195655	ROD	
40	1	1202871900	WASHER PLAIN	
50	2	1604422001	DISC	
55	4	1619276600	PAINT STRIPPING BOLT(M8x20)	
70	1	0246195655	ROD	
80	1	0246195655	ROD	
90	4	1615566400	HEX. HEAD SCREW	
100	1	1615508000	PLUG	
110	1	0661103800	SEALING WASHER	
120	1	1604541901	Cap	
130	2	1615566400	HEX. HEAD SCREW	
140	1	1604409931	EYE	
150	3	0147140215	SCREW:M12X 35;HEXHD GR8.8W/NYL	
160	3	0301235800	WASHER PLAIN 12	



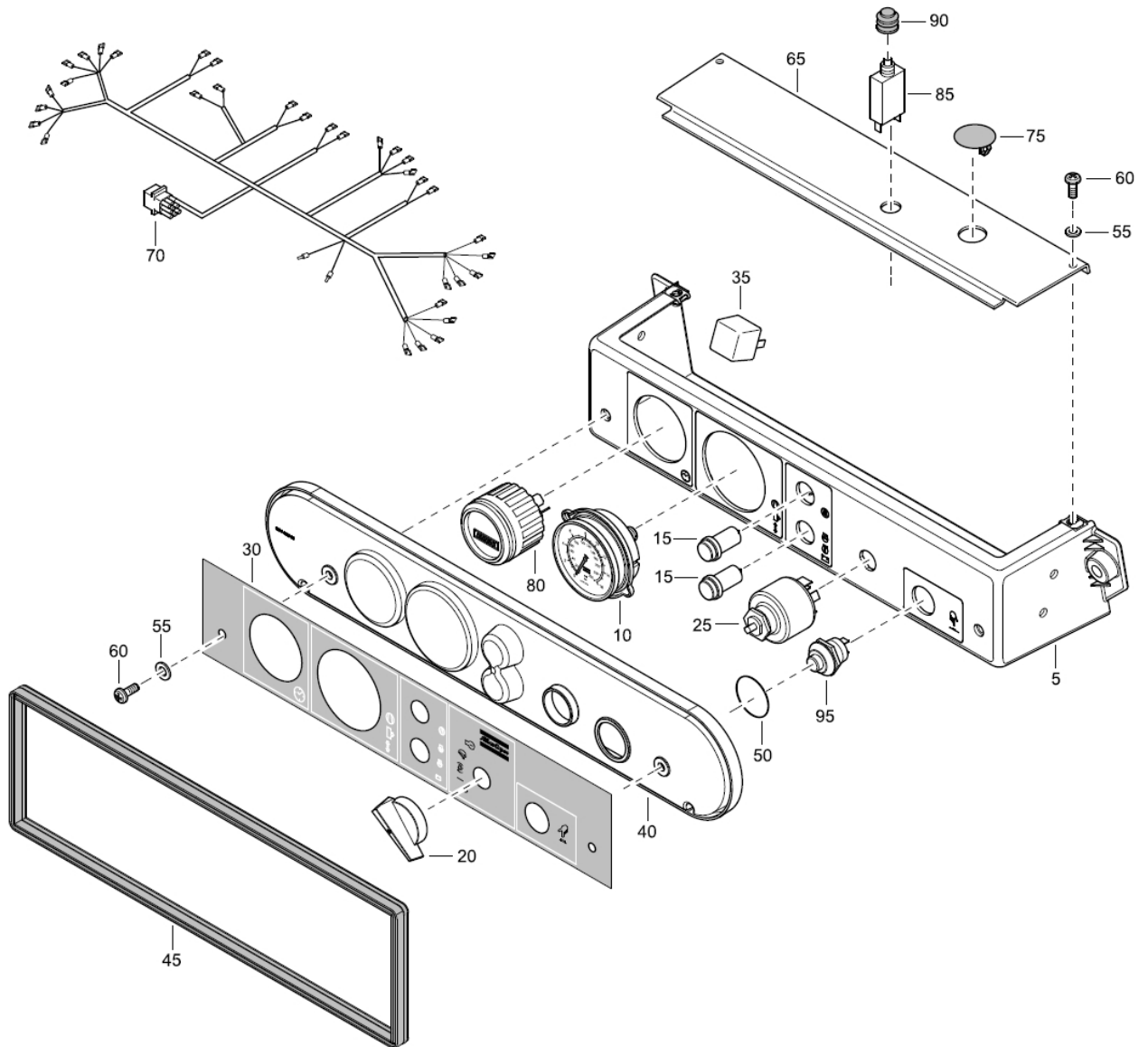
Id	Qty	Number	Name	Specifications
10	1	1202900602	ANTIVIBRATION PAD	
20	1	1604399100	SUPPORT	
30	2	0147136003	HEX HEAD SCREW	
40	1	0333520013	WASHER LOCK	
50	1	0147136803	HEX. BOLT M10X55X8.8	
60	1	0301234400	PLAIN WASHER M10	
70	2	0147137903	HEX. HEAD SCREW M10 X 110	
80	1	1202900603	ANTIVIBRATION PAD	
90	1	1202900602	ANTIVIBRATION PAD	
100	4	0147136003	HEX HEAD SCREW	
300	2	0333520013	WASHER LOCK	



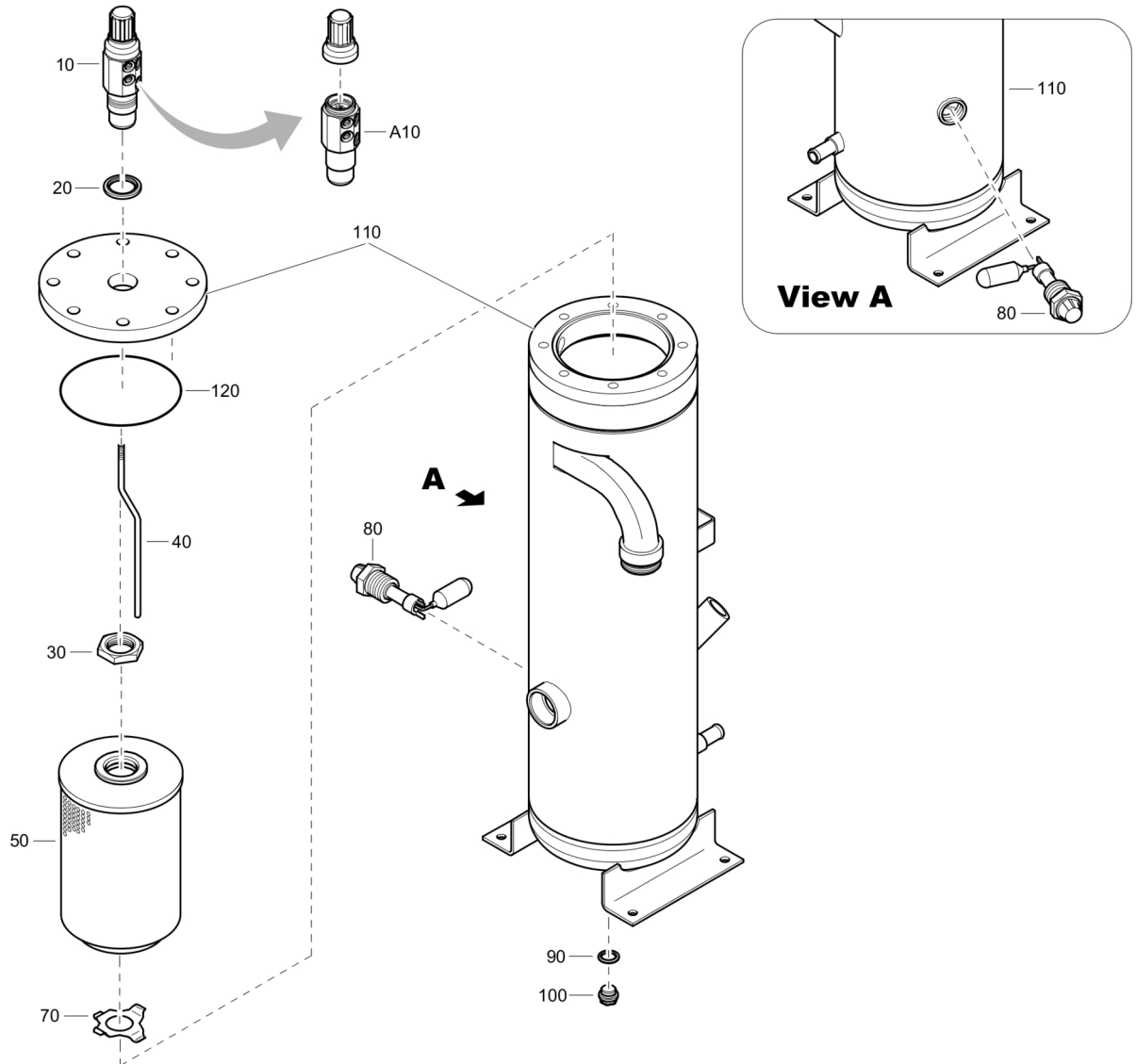
Id	Qty	Number	Name	Specifications
10	1	1604396401	FUEL TANK	
20	1	1615557700	PLUG	
30	2	1615665100	ADAPTOR	
40	2	1615665200	GROMMET	
50	1	0070600215	Plastic tube	
60	1	0070600215	Plastic tube	
70	1	1615765302	CAP	
80	1	1615765400	STRAINER	



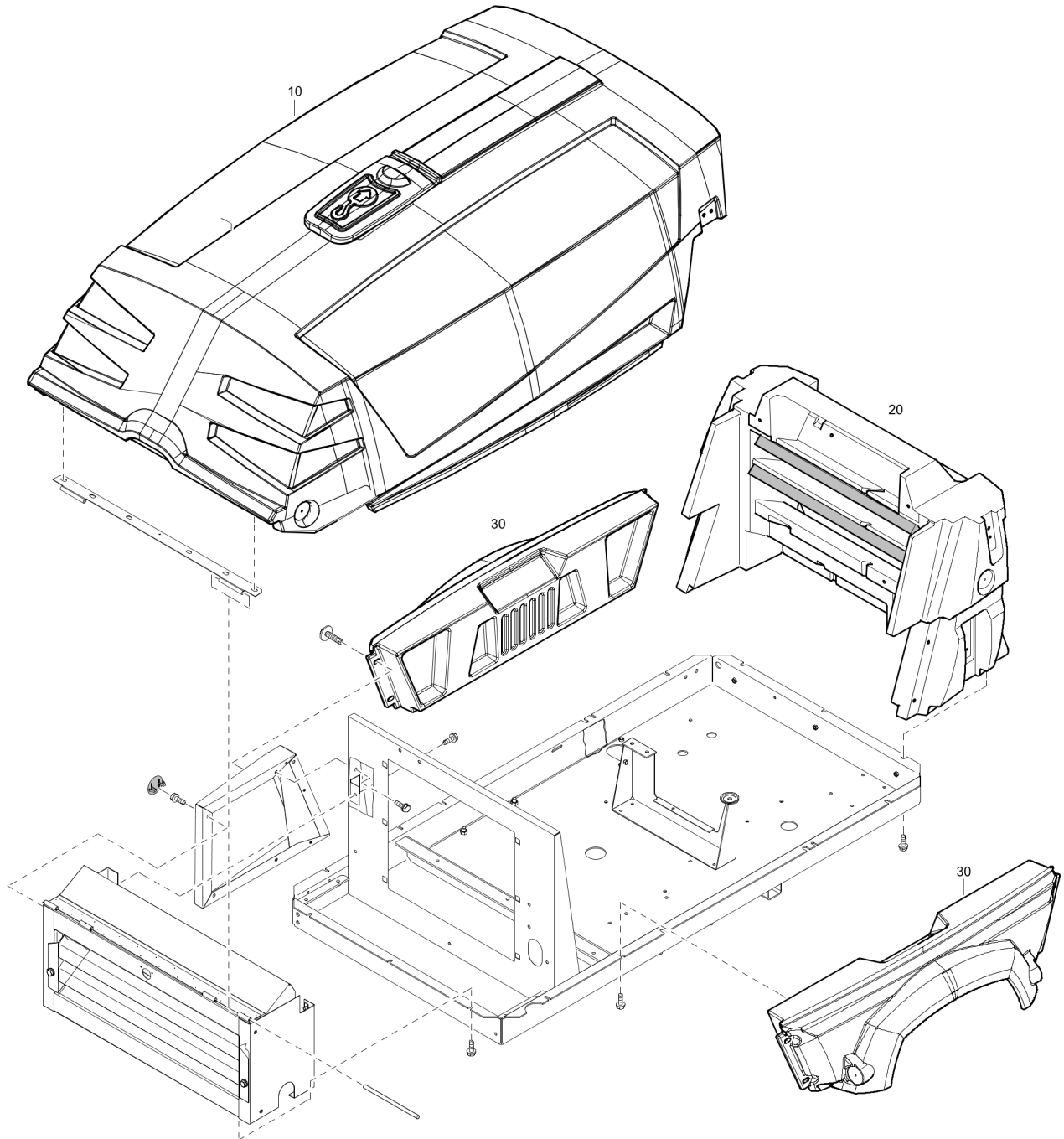
Id	Qty	Number	Name	Specifications
20	1	1615772601	Battery cable	
30	1	0147135903	HEX. HEAD SCREW M10 X 16	
40	1	1088001902	CONTACT WASHER SPEC MD	
50	1	1619372900	PROTECT. CAP	
60	1	1604531600	GUIDE	
70	1	1615566400	HEX. HEAD SCREW	
80	1	0147135903	HEX. HEAD SCREW M10 X 16	
90	1	0301234400	PLAIN WASHER M10	
100	1	1092319900	WIRE HARNESS	
110	4	1088130102	CABLE TIE L140	
120	3	1088130102	CABLE TIE L140	
130	2	1088130102	CABLE TIE L140	
140	1	1092039417	Earthing strap	
150	1	1615566400	HEX. HEAD SCREW	
160	1	1088001902	CONTACT WASHER SPEC MD	



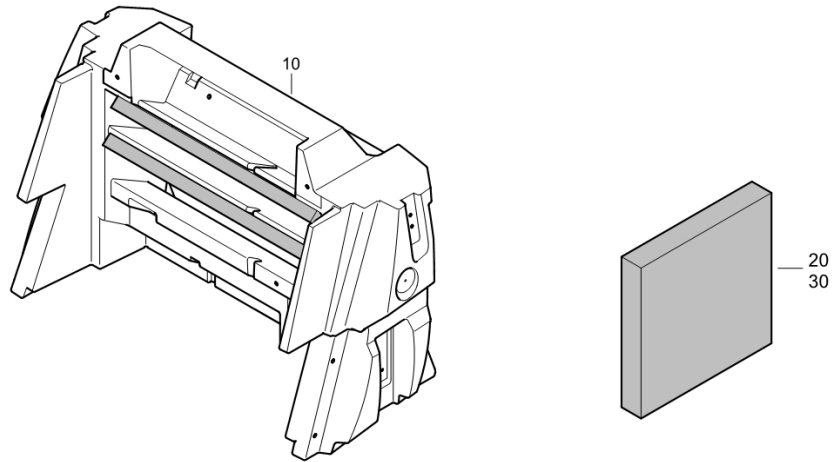
Id	Qty	Number	Name	Specifications
5	1	1092049816	PANEL	
10	1	1092037537	PRESSURE GAUGE	
15	2	1092049818	INDICATOR LIGHT	
20	1	1089060804	BUTTON	
25	1	1089060803	SWITCH	
30	1	1604401501	Lst stickers	
35	4	1089034107	RELAY	
40	1	1604402800	COVER	
45	1	1202658400	SEAL	
50	1	0663909500	O-RING	
55	4	0301232100	WASHER M6	
60	4	0160099683	CROSS SCREW M6X16X4.8	
65	1	1604403902	COVER	
70	1	1092037310	WIRE HARNESS	
75	1	0686925269	PLUG 23,1	
80	1	1092049817	HOUR METER	
85	1	1089920631	CIRCUIT BREAKER	
90	1	1089920659	PROTECTION CAP	
95	1	1089932601	PUSH BUTTON	



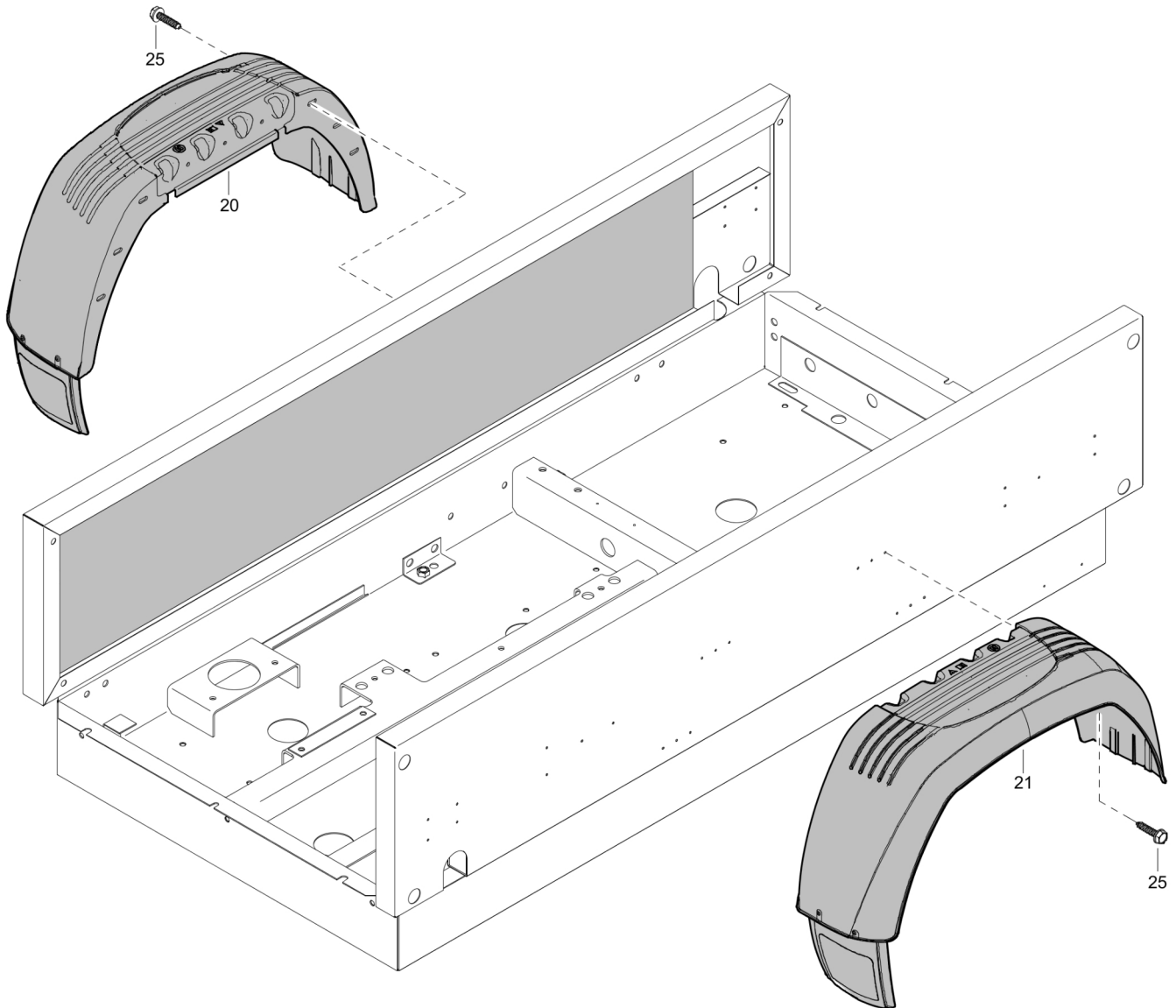
Id	Qty	Number	Name	Specifications
10	1	1615766480	VALVE REGUL.	
20	1	0661104900	SEAL WASHER	
30	1	0623210603	BACKNUT	
40	1	1615943700	TUBE	
50	1	1615943681	SEPARATOR OIL	Version: 2
70	2	1615769702	RETAINER	
80	1	1092065601	INDICATOR	
90	1	0661102600	SEAL WASHER 17.2 X 23.9 X 2	
100	1	0686420300	PLUG	
110	1	1092037967	VESSEL	
120	1	0663715100	O-RING	



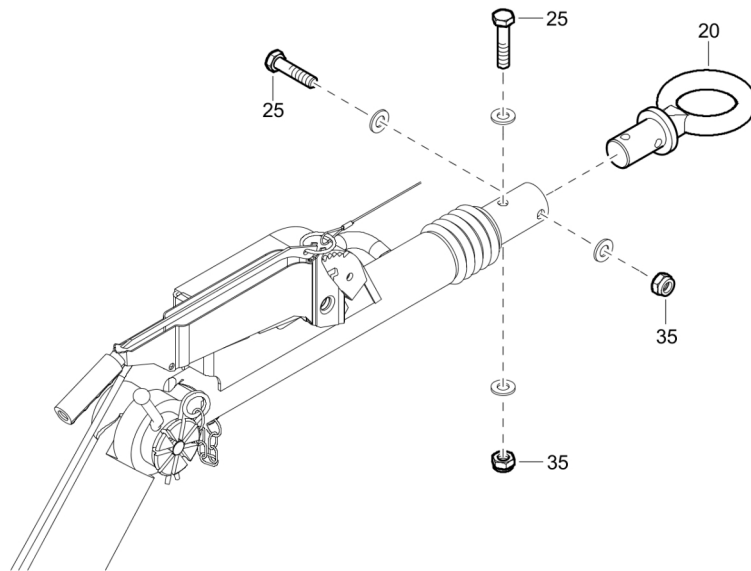
Id	Qty	Number	Name	Specifications
10	1	1604672281	HOOD ASSY PE 3CYL	
20	1	1604672381	BAFFLE ASSY PE	
30	2	1604596301	MUDGUARD	



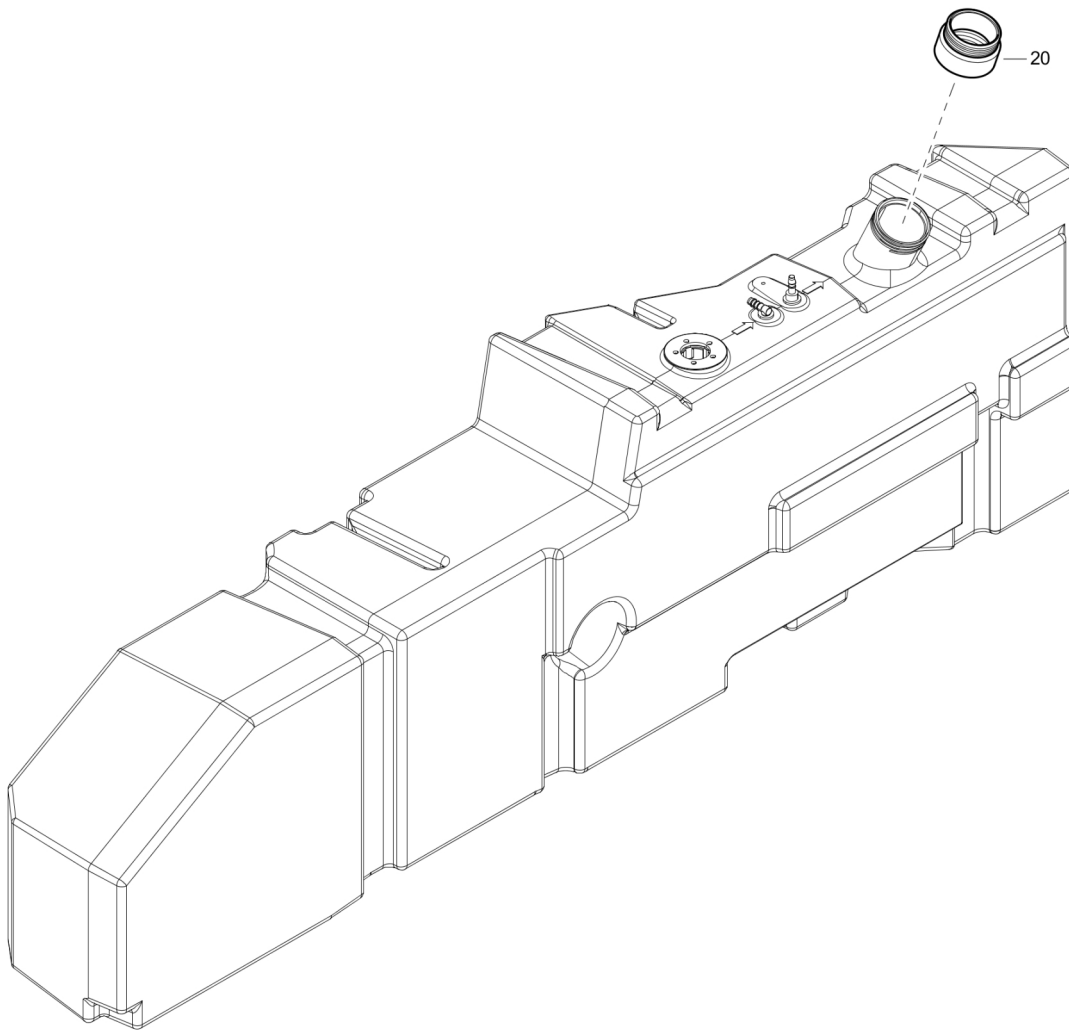
Id	Qty	Number	Name	Specifications
10	1	1604672301	BAFFLE	
20	1		Silencing foam (40mm)	
30	1		Silencing foam (40mm)	



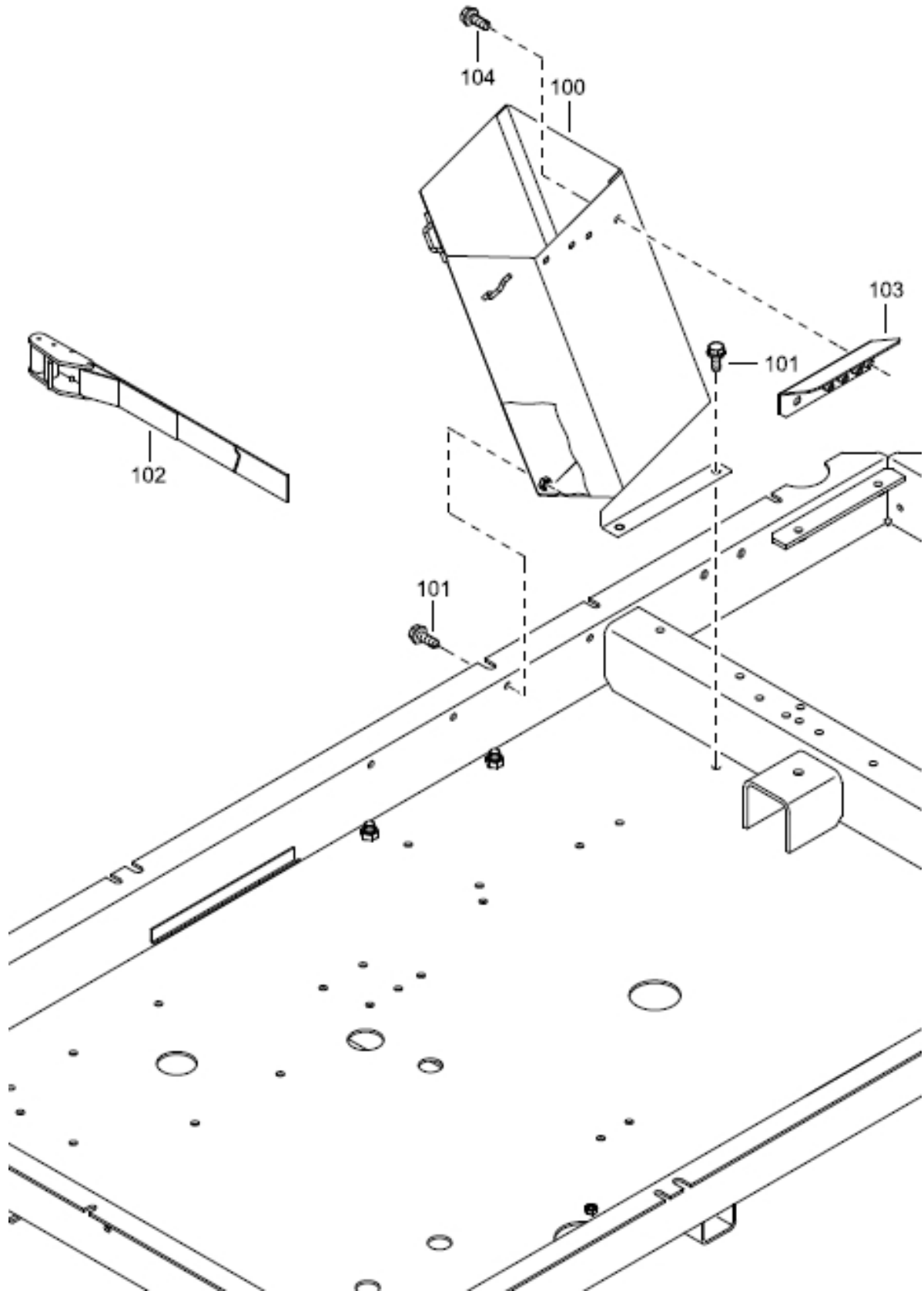
Id	Qty	Number	Name	Specifications
20	1	1626830980	MUDGUARD ASSY (L)	
21	1	1626831080	MUDGUARD ASSY (R)	
25	8	1619276500	SCREW	



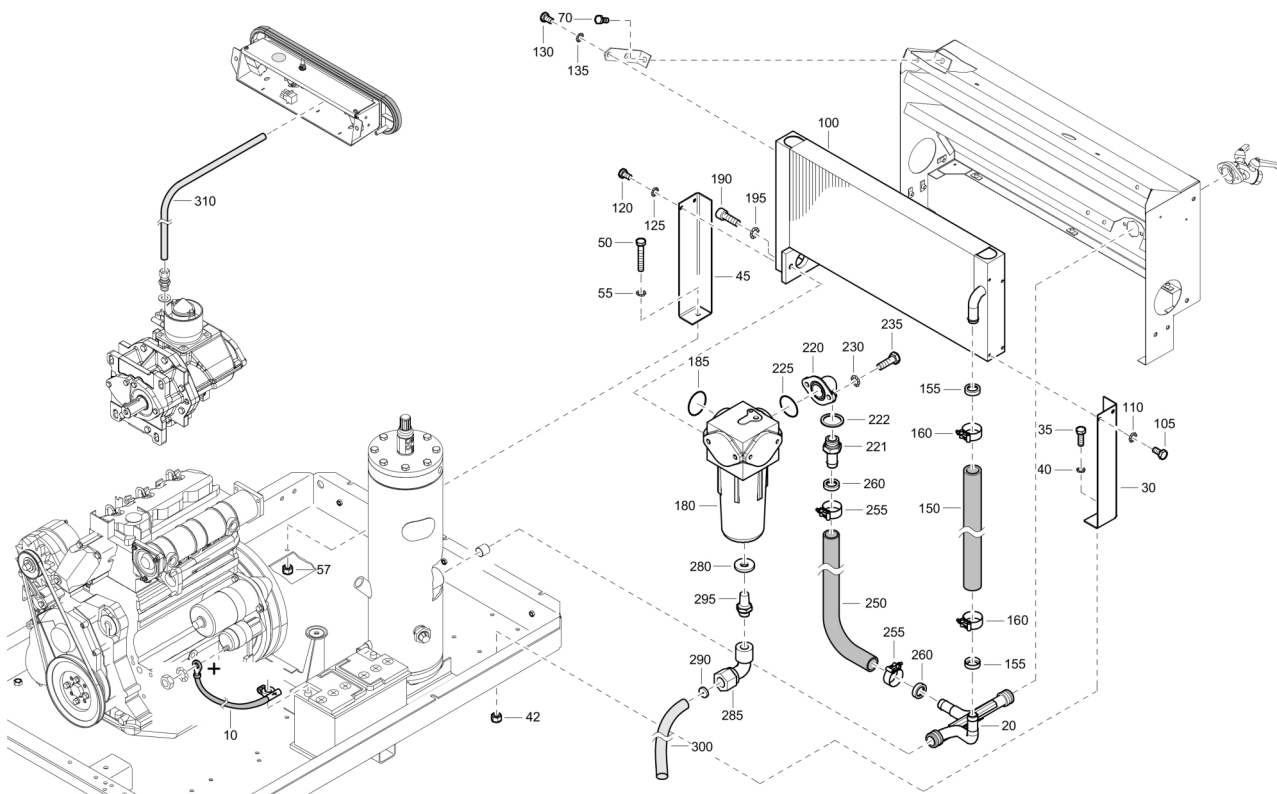
Id	Qty	Number	Name	Specifications
20	1	1614436800	A.C. EYE	
25	2	1202984402	BOLT	
30	4	1202984500	WASHER	
35	2	0291118513	LOCKNUT	



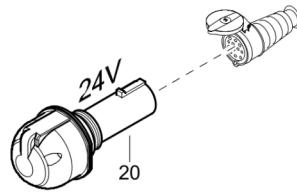
Id	Qty	Number	Name	Specifications
20	1	1604449400	CONNECTION NUT FUEL TANK	



Id	Qty	Number	Name	Specifications
100	1	1604390432	TOOLBOX	
101	4	1619276600	PAINT STRIPPING BOLT(M8x20)	
102	1	1615912100	NYLON BAND	
103	1	1604659330	PROTECTION	
104	2	1619276600	PAINT STRIPPING BOLT(M8x20)	



Id	Qty	Number	Name	Specifications
10	1	1626293900	BATTERY CABLE	
20	1	1604403100	Pipe	
30	1	1604404000	BRACKET	
35	1	0147132303	HEX. HEAD SCREW M8 X 20	
40	1	0333322700	ARRUELA DENT.8,4	
42	1	0266211000	NUT	
45	1	1604404100	BRACKET	
50	1	0147132303	HEX. HEAD SCREW M8 X 20	
55	1	0333322700	ARRUELA DENT.8,4	
57	1	0266211000	NUT	
70	2	0147132303	HEX. HEAD SCREW M8 X 20	
100	1	1626140901	COOLER AFTER	
105	2	0147132003	HEX. HEAD SCREW	
110	2	0333322700	ARRUELA DENT.8,4	
120	2	0147132003	HEX. HEAD SCREW	
125	2	0333322700	ARRUELA DENT.8,4	
130	4	0147132003	HEX. HEAD SCREW	
135	4	0333322700	ARRUELA DENT.8,4	
150		0072840339	HOSE	
155	2	1615862700	SLEEVE	
160	2	1079347101	HOSE CLIP	
180	1	1615858100	WATERSEPARATOR	
185	1	0663713600	O-RING	
190	2	0211136303	BOLT	
195	2	0333323200	LOCK WASHER	
220	1	1604401900	HOSE COUPLING	
221	1	1626087400	HOSE NIPPLE	
222	1	0661100030	SEAL CARTRIDGE	
225	1	0663713600	O-RING	
230	2	0333323200	LOCK WASHER	
235	2	0147136303	SCREW	
250		0072840339	HOSE	
255	2	1079347101	HOSE CLIP	
260	2	1615862700	SLEEVE	
280	1	0653106200	GASKET 13 X 20 X 1.5	
285	1	1604395200	COUPLING	
290	1	1615862000	RESTRICTOR:XAS 46-76	
295	1	9090050700	SILENCER	
300		0070600205	TUBE ID5.5 OD8 BLACK	
310		0070600204	TUBE:M 6.0ODX 4.0ID, BLACK	



Id	Qty	Number	Name	Specifications
20	1	1626450000	VOLTAGE CONVERTOR	

Part no	Part no	Part no	Part no	Part no	Part no
	Compressor_Oil_Paroi		Compressor_Oil_Paroi		Compressor_Oil_Paroi
	ENGINE_OIL_PAROIL		ENGINE_OIL_PAROIL		1615766785_01-digab
	1615766785_01-digab		1092061172		1615766785_01-digab
	1092061426		1604672381		1611737514
	1615766785_01-digab		1615766785_01-digab		1615766785_01-digab
	1615766785_01-digab		1092061426		1611737514
	1615766785_01-digab		ENGINE_OIL_PAROIL		1615766785_01-digab
	1615766785_01-digab		1615766785_01-digab		1604672381
	1615766785_01-digab	0070600204	1611722114	0070600204	1611722114
0070600204	1611865314	0070600205	1611865314	0070600205	1611722114
0070600215	1604396481	0070600215	1604396481	0071840248	1611704314
0071840248	1611704314	0071840248	1611704314	0071840248	1611704314
0071840248	1611704314	0072840316	1625003924	0072840316	1611728514
0072840316	1625003924	0072840326	1625003924	0072840326	1625003924
0072840339	1611865314	0072840339	1611865314	0102046000	1611719012
0108341700	1611719012	0129310700	1092371580	0129317201	1092061426
0147124403	1625094000	0147124703	1092479480	0147124703	1611722114
0147124903	1625002542	0147124903	1092061360	0147125003	1611722114
0147125003	1611722114	0147125112	1615766785_01-digab	0147125212	1615766785_01-digab
0147132003	1611865314	0147132003	1611865314	0147132003	1611865314
0147132203	1603421400	0147132203	1092479480	0147132303	1603406500
0147132303	1603406500	0147132303	1603406500	0147132303	1611865314
0147132303	1611865314	0147132303	1611865314	0147132303	1625090700
0147132303	1603406500	0147132503	1092061360	0147132603	1092479380
0147132703	1611740314	0147132803	1611740314	0147133103	1092479480
0147133803	1092479480	0147135903	1625015900	0147135903	1625015900
0147136003	1611701414	0147136003	1611701414	0147136203	1611772127
0147136303	1611865314	0147136315	1611722114	0147136803	1611701414
0147137903	1611701414	0147140003	1092061360	0147140215	1625001839
0147140303	1625090700	0147141203	1625090700	0147142203	1611719012
0147145703	1611719012	0147196402	1611725814	0160099683	1625002138
0211124903	1611728514	0211124903	1611728514	0211132303	1611722114
0211132503	1611728514	0211132803	1611722114	0211133203	1611722114
0211136303	1611865314	0211136400	1611707814	0211136800	1611710114
0211196288	1611737514	0211196293	1611719012	0211196301	1611725814
0246195655	1625001839	0246195655	1625001839	0246195655	1625001839
0246195657	1092061360	0266211000	1092479480	0266211000	1603421400
0266211000	1611865314	0266211000	1625090700	0266211000	1092061360
0266211000	1611865314	0266211100	1092061360	0266211200	1092061360
0266211200	1092061360	0291110800	1092479480	0291110800	1625002542
0291110800	1625094000	0291110800	1611722114	0291111000	1611722114
0291111000	1615766785_01-digab	0291111000	1611722114	0291111200	1625090700
0291111200	1625090700	0291118504	1611707814	0291118504	1603421400
0291118513	1611770112	0300027434	1603421400	0300027493	1611719012
0300027621	1611740314	0300027621	1092479480	0300027621	1092479480
0300027621	1625094000	0300801900	1603406500	0300801900	1625090700
0300801900	1603406500	0300801900	1603406500	0300801900	1603406500
0301232100	1611728514	0301232100	1611722114	0301232100	1625094000
0301232100	1625002138	0301232100	1611728514	0301232100	1625002542
0301233500	1625094000	0301233500	1092061360	0301233500	1092479380
0301233500	1611728514	0301233500	1611722114	0301233500	1615766785_01-digab
0301233500	1611737514	0301234400	1625015900	0301234400	1611701414
0301235800	1092061360	0301235800	1625001839	0301235800	1625090700
0301235800	1625090700	0301237100	1092061360	0324100023	1611740314
0333322000	1611722114	0333322700	1603421400	0333322700	1611740314
0333322700	1611865314	0333322700	1611865314	0333322700	1611865314
0333322700	1611865314	0333322700	1611865314	0333322700	1092479480
0333323200	1611865314	0333323200	1611772127	0333323200	1611865314
0333520013	1611701414	0333520013	1611701414	0337606100	1611710114
0346300108	1603421400	0347610004	1625002542	0347611500	1625002542
0347611500	1625002542	0347613100	1625002542	0371110020	1611864314
0371110021	1625090700	0560020023	1092061366	0571003571	1092061360

Part no	Part no	Part no	Part no	Part no	Part no
0571003571	1092061360	0571003571	1092061360	0575046134	1611728514
0581000047	1611728514	0582120005	1611722114	0582120005	1611722114
0582120005	1611722114	0582120006	1611722114	0603550100	1611728514
0623210603	1625016100	0627421300	1092061360	0653104300	1611722114
0653104300	1611722114	0653104300	1611722114	0653104300	1611722114
0653104600	1625002542	0653104600	1625003924	0653104600	1611728514
0653106200	1615776880	0653106200	1611865314	0653107000	1611728514
0653107000	1611746214	0653111500	1604397980	0653111500	2912439206
0653111500	1092061360	0653111500	1092061360	0653111500	2912439206
0653111500	1092061360	0653111500	1092061360	0653112400	1092061366
0661100030	1611865314	0661100040	2912439206	0661101400	1625002542
0661102600	1625016100	0661103300	1611746214	0661103800	1625001839
0661104900	1625016100	0663210616	1611722114	0663311700	1092061360
0663713500	1611728514	0663713600	1611865314	0663713600	1611865314
0663715100	1625016100	0663903100	1092479380	0663909500	1625002138
0663924400	1092061360	0665099954	1615766785_01-digab	0665911000	1615766785_01-digab
0686371601	1615776880	0686420300	1625016100	0686423018	1604397980
0686423018	1092061360	0686925269	1625002138	0690113200	1092371580
0830100518	1092061366	1079347101	1611865314	1079347101	1611865314
1079584001	1625003924	1079990200	1625090700	1079990229	1092371580
1079990254	1625090700	1079990258	1079992207	1079991983	1092371580
1079992103	1092371580	1079992207	1088001902	1079992368	1092371580
1079992490	1092371580	1088001902	1625015900	1088001902	1625015900
1088001902	1625094000	1088130102	1625015900	1088130102	1625015900
1088130102	1625015900	1088130103	1092479480	1089034107	1625002138
1089060803	1625002138	1089060804	1625002138	1089063712	1611746214
1089063725	1611746214	1089920631	1625002138	1089920659	1625002138
1089932601	1625002138	1092032700	1092061426	1092037310	1625002138
1092037537	1625002138	1092037967	1625016100	1092037984	1092371580
1092038097	1092371580	1092038257	1092479480	1092038365	1092371580
1092039417	1625015900	1092039463	1611740314	1092042305	1611837114
1092042474	1625094000	1092049816	1625002138	1092049817	1625002138
1092049818	1625002138	1092050403	1603406500	1092050409	1094124680
1092061361	1092061360	1092062800	1092371580	1092065601	1625016100
1092068924	1625090700	1092319900	1625015900	1092323800	1611728514
1092323800	1625003924	1092323800	1625003924	1092360880	1603406500
1092399600	1611728514	1092648600	1625016300	1092722500	1092061360
1092722700	1092061360	1092818100	1625094000	1092848300	1092479480
1092848300	1092479480	1092848300	1092479480	1092848300	1092479480
1092848300	1092479480	1092868800	1092479480	1092868800	1092479480
1092868800	1092479480	1092868800	1092479480	1092868800	1092479480
1092886000	1625094000	1094102680	1625094000	1094124600	1094124680
1094124680	1625090700	1094838800	1092061366	1202658400	1625002138
1202866302	1625003924	1202866302	1625003924	1202871900	1625001839
1202871900	1625001839	1202900602	1611701414	1202900602	1611701414
1202900603	1611701414	1202984402	1611770112	1202984500	1611770112
1202991000	1611740314	1604033300	1094124680	1604038801	1615766785_01-digab
1604201300	1611740314	1604332100	1611728514	1604332100	1611728514
1604342300	1603406500	1604342300	1092061426	1604342300	1625094000
1604380300	1625090700	1604380613	1625090700	1604390432	1611801014
1604395200	1611865314	1604396401	1604396481	1604396485	1092479480
1604397900	1604397980	1604397980	1611737514	1604399100	1611701414
1604400301	1092061426	1604400401	1092061426	1604400501	1092061426
1604401501	1625002138	1604401900	1611865314	1604402800	1625002138
1604403000	1611837114	1604403100	1611865314	1604403500	1611728514
1604403500	1611728514	1604403902	1625002138	1604404000	1611865314
1604404100	1611865314	1604405300	1611707814	1604405402	1603421400
1604409931	1625001839	1604413700	1611704314	1604413700	1611704314
1604413700	1611704314	1604413700	1611704314	1604413700	1611704314
1604422001	1625001839	1604422001	1625001839	1604449400	1611802014
1604530601	COOLANT_PARCOOL	1604530702	COOLANT_PARCOOL	1604530801	COOLANT_PARCOOL
1604531600	1625015900	1604541901	1625001839	1604574400	1603406300

Part no	Part no	Part no	Part no	Part no	Part no
1604578000	1603406500	1604579200	2912439206	1604580400	1603421400
1604585400	1611725814	1604596301	1611895114	1604610500	1603421400
1604611402	1625094000	1604627500	1625094000	1604627600	1625094000
1604646600	1625094000	1604659330	1611801014	1604672281	1611895114
1604672301	1604672381	1604672381	1611895114	1604717902	1625094000
1604815901	COOLANT_PARCOOL	1605002500	1625094000	1607852263	2912439206
1611889914	1625094000	1612215200	1625002542	1613080700	1092479480
1613610500	1625003924	1613610590	2912439206	1613740800	2912439206
1613791201	1625002542	1614436800	1611770112	1615508000	1625001839
1615557700	1604396481	1615566400	1625001839	1615566400	1625015900
1615566400	1603421400	1615566400	1603421400	1615566400	1603421400
1615566400	1625001839	1615566400	1625094000	1615566400	1625094000
1615566400	1625094000	1615566400	1625015900	1615595300	ENGINE_OIL_PAROIL
1615595400	ENGINE_OIL_PAROIL	1615595500	ENGINE_OIL_PAROIL	1615595800	Compressor_Oil_Paroi
1615595900	Compressor_Oil_Paroi	1615596000	Compressor_Oil_Paroi	1615601003	1611710114
1615665100	1604396481	1615665200	1604396481	1615705700	1092061360
1615705700	1092061360	1615705700	1092061360	1615705700	1092061360
1615705700	1092061360	1615705700	1092061360	1615705700	1092061360
1615705700	1092061360	1615765302	1604396481	1615765400	1604396481
1615766101	1611719012	1615766304	1611719012	1615766480	1625016100
1615766701	1615766785_01-digab	1615766786	1611722114	1615766802	1615766785_01-digab
1615767000	1615766785_01-digab	1615767683	1611722114	1615769000	1611725814
1615769500	1615943680	1615769702	1625016100	1615770400	1625002542
1615770600	1625002542	1615772601	1625015900	1615774902	1603406500
1615775901	1625002542	1615776703	1611728514	1615776802	1615776880
1615776880	1611728514	1615776900	1611772127	1615813800	1625002542
1615813903	1611740314	1615834200	1611710114	1615834501	1615766785_01-digab
1615834600	1615766785_01-digab	1615838101	1611722114	1615858100	1611865314
1615862000	1611865314	1615862700	1611865314	1615862700	1611865314
1615875500	1615766785_01-digab	1615881880	1092479480	1615911200	1611707814
1615911303	1611722114	1615912100	1611801014	1615935200	1625090700
1615935300	1625090700	1615943601	1615943680	1615943681	1625016100
1615943700	1625016100	1615957500	1625090700	1615973000	1625002542
1616461300	1092479480	1616626091	1611710114	1619276500	1625094000
1619276500	1611776614	1619276600	1611801014	1619276600	1611801014
1619276600	1603406500	1619276600	1625001839	1619276600	1092061360
1619286108	1092479480	1619372900	1625015900	1619377000	1611728514
1619518800	1092061360	1619518800	1092061360	1619518800	1092061360
1619518800	1092061360	1625002138	1092479380	1625002449	1092479380
1625004707	1603406500	1625016100	1625016300	1626010200	ENGINE_OIL_PAROIL
1626087400	1611865314	1626090012	1092371580	1626140901	1611865314
1626293900	1611865314	1626406800	1092479480	1626407201	1611722114
1626412100	1611864314	1626412100	1603406500	1626412100	1611864314
1626412100	1625094000	1626450000	1611864514	1626488700	1611707814
1626602900	1625090700	1626830980	1611776614	1626831080	1611776614
1630009600	ENGINE_OIL_PAROIL	1630013501	ENGINE_OIL_PAROIL	1630013601	ENGINE_OIL_PAROIL
1630016000	Compressor_Oil_Paroi	1630016100	Compressor_Oil_Paroi	1630016200	Compressor_Oil_Paroi
1630016300	Compressor_Oil_Paroi	1630018000	Compressor_Oil_Paroi	1630018100	Compressor_Oil_Paroi
1630018200	Compressor_Oil_Paroi	1630047100	ENGINE_OIL_PAROIL	1630047200	ENGINE_OIL_PAROIL
1630047300	ENGINE_OIL_PAROIL	1636310517	ENGINE_OIL_PAROIL	2200750570	1092479380
2250526500	1625002542	2900068700	2912439206	2913105300	2912439206
2913122900	2912439206	2914805800	2912439206	9090050700	1611865314