

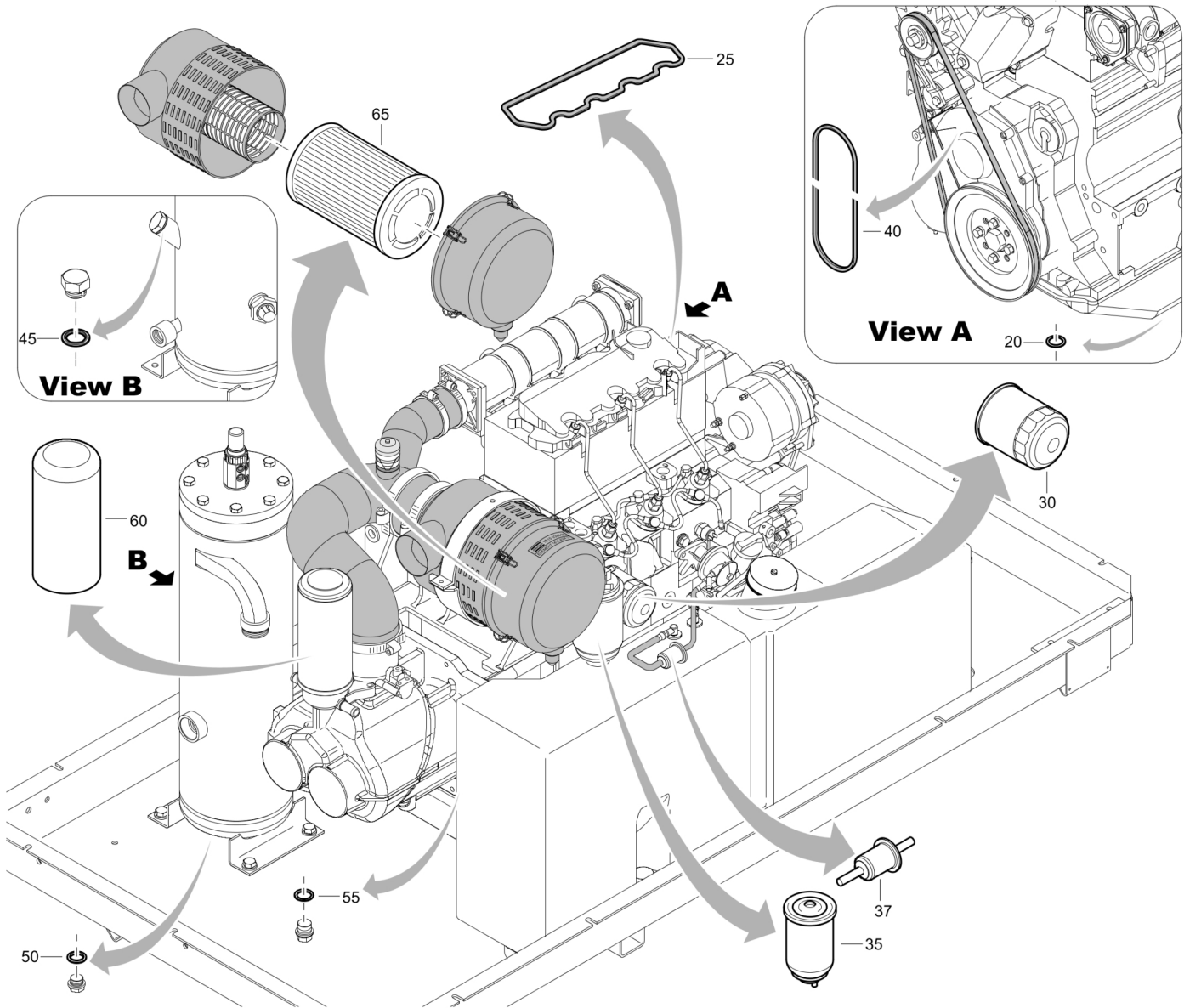


Filter	2965399000,WUX 661877 - 667040
Identity	2965399000
Specifications	Product number: 8161000602, Division: Portable Air, Product group: Diesel Driven Compressors, Product type: Diesel Small Air, Product: XAS185 DD, Product Company: Wuxi

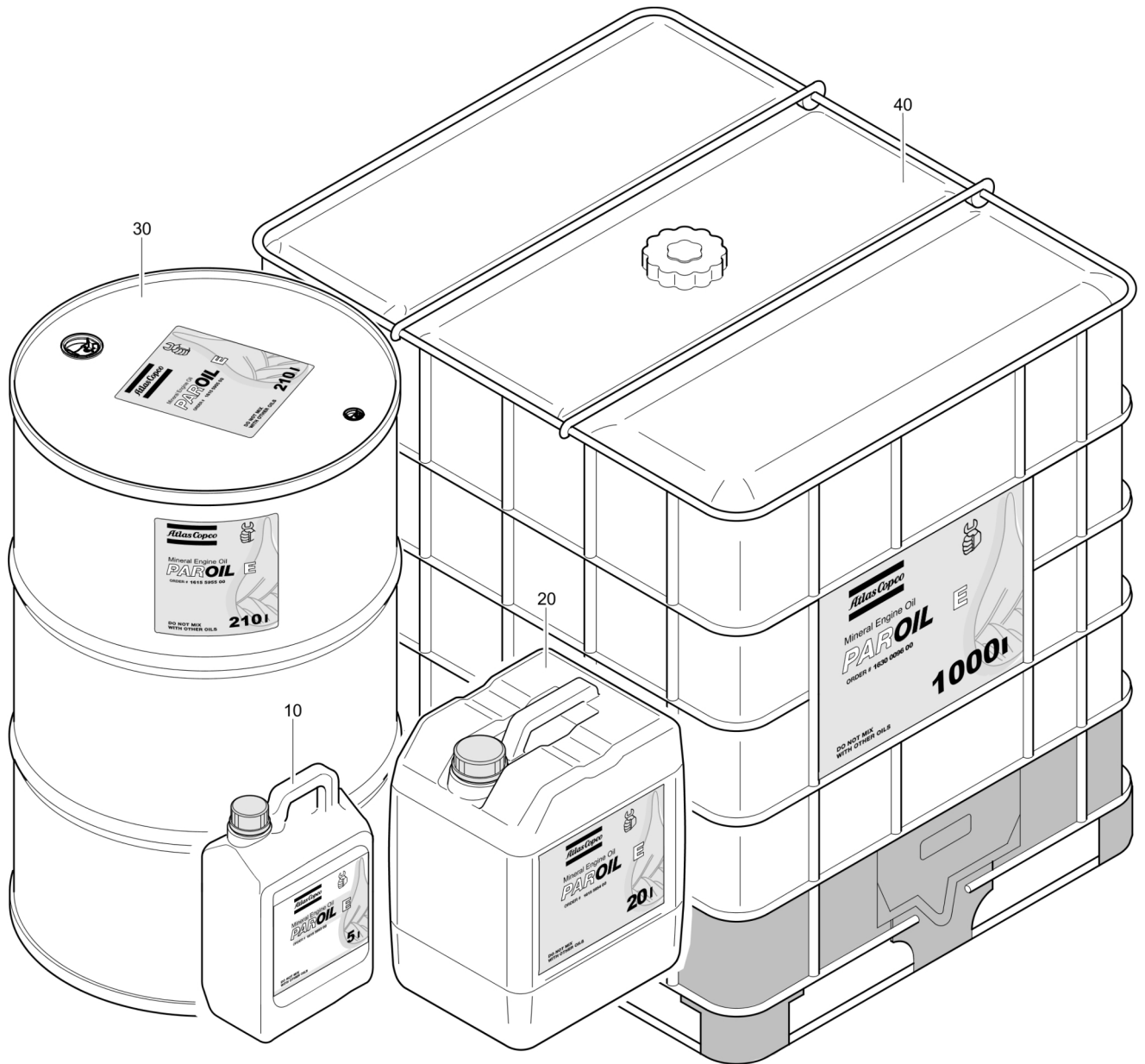
Kits and consumables	1829309000_Kitsandconsumables
SERVICE PAK 97 YEARLY	2912439306
Engine oil - Paroil E	ENGINE OIL - PAROIL E
Engine oil - Paroil extra	ENGINE OIL - PAROIL E XTRA
Compressor oil - Paroil M	COMPRESSOR OIL - PAROIL M
Compressor oil - Paroil S	COMPRESSOR OIL - PAROIL S
Engine coolant - parcool EG	ENGINE COOLANT - PARCOOL E
Kits Multi-Pack	XAS97_WUX_Kits_MultiQTY
Service kit - Unloading valve	2911005100
AIR FILTER 10X	1636310508
ELEMENT AND MOUNTS	1611710214
Frame and mounts	1092061423
Air outlet	1611737214
AIR INLET	1611740029
Country set	1092061366
PARTS FROM SERVICE PAK - (ACTUAL SIZE)	PARTSFROMSERVICEPAK---XAS
No cold start	1092061362
No cold start	1092061113
Bodywork and Mounts	1092061298
Markings	1625002223
Markings	1625002224
Vessel assembly	1625002149
Vessel assembly	1092061365
ENGINE AND ACCESSORIES	1611707714
Fuel system	1611704214
Coupling	1611719029
COOLER AND FAN	1092069093
Oil system	1611728214
Engine	1092061370
NO AFTERCOOLER	1611837114
NO SPARK ABSORBER	1092061172
Regulating system	1625012267
Electrical system	1611749214
SAFETY AND CONTROL	1625002233

Kits and consumables	Item Number	Description	500 hours	When Needed
Maintenance Kit	1	Service pak 500 hours	1	
Engine Oil	2	Can Paroil E 5 Liter/1.32 Gallon	8.5 Liter 2.25 Gallon	No
Use Paroil E	3	Can Paroil E 20 Liter/5.3 Gallon		
	4	Barrel Paroil E 210 Liter/55.5 Gallon		
	5	Container Paroil E 1000 Liter/264.1 Gallon		
	6	Can Paroil E Extra 5 Liter/1.32 Gallon		
Use Paroil Extra	7	Can Paroil E Extra 20 Liter/5.3 Gallon	8 Liter 2.1 Gallon	No
Compressor Oil	8	Can Paroil M 5 Liter/1.32 Gallon		
Use Paroil M	9	Can Paroil M 20 Liter/5.3 Gallon		
	10	Barrel Paroil M 210 Liter/55.5 Gallon		
Use Paroil S	11	Can Paroil S 5 Liter/1.32 Gallon		
	12	Can Paroil S 20 Liter/5.3 Gallon	xx Liter xxx Gallon	No
	13	Barrel Paroil S 210 Liter/55.5 Gallon		
	14	Container Paroil S 1000 Liter/264.1 Gallon		
Coolant	15	Can Parcool EG concentrate 5 Liter/1.32 Gallon		
Use Parcool EG	16	Can Parcool EG 5 Liter/1.32 Gallon	xx Liter xxx Gallon	No
	17	Can Parcool EG 20 Liter/5.3 Gallon		
	18	Barrel Parcool EG 210 Liter/55.5 Gallon		
Service and Repair kits	19	Service kit - Unloading valve		1
	20	Service kit - Speed regulator		1
	21	Service Kit - Oil Separator		1
	22	Service kit - Brake shoes		1
	23	Service kit - Road axle bearing with brakes		1
	24	Service kit - Road axle bearing without bra		1

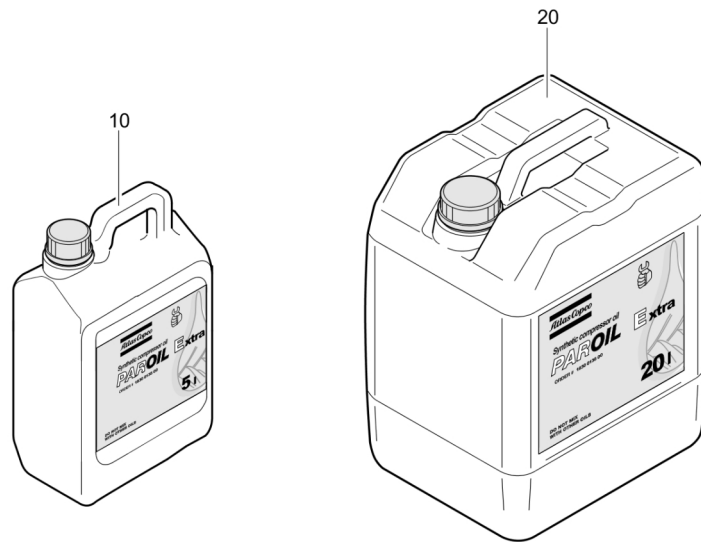
Id	Qty	Number	Name	Specifications
1	1	2912439306	SERVICE PAK 97 YEARLY	
2	1	1615595300	CAN PAROIL E 5L (1.32 GALLON)	
3	1	1615595400	CAN PAROIL E 20L (5.3 GALLON)	
4	1	1615595500	CAN PAROIL E 210L (55.5 GALLON)	
5	1	1630009600	CONTAINER PAROIL E 1000 LITER/264.1 GALLON	
6	1	1630013500	OIL CAN PAROIL EXTRA 5L	
7	1	1630013600	CAN PAROIL EXTRA 20 LITER/5.3 GALLON	
8	1	1615594700	OIL CAN PAROIL M 5L	
9	1	1615594800	OIL CAN PAROIL M 20L	
10	1	1615594900	BARREL PAROIL M 210 LITER/55.5 GALLON	
11	1	1630016000	PAROIL S (CAN 5L)	
12	1	1630016100	PAROIL S (CAN 20L)	
13	1	1630016200	PAROIL S (BARREL 210L)	
14	1	1630016300	CONTAINER PAROIL S 1000 LITER/264.1 GALLON	
15	1			
16	1	1604530701	CAN PARCOOL EG 20 LITER/5.28 US GALLON	
17	1	1604530600	BARREL PARCOOL EG 210 LITER/55.5 US GALLON	
18	1	1604815900	CAN PARCOOL EG 5 LITER /1.32 US GALLON	
19	1	2911005100		Version: 3
20	1	2911005200	KIT SPEED REGULATOR	
21	1	2911006800	KIT OIL SEPARATOR XAS'6"7' .	Version: 3
22	1	1625001006	KIT BRAKE SHOE IRM 3-3.5-4-5.5	Version: 1
23	1	1625001007	KIT AXLE BEAR. BR IRM3-3.5-4-5	Version: 1
24	1	1625001008	KIT AXLE BEAR. NO BR IRM3-3.5-	Version: 00



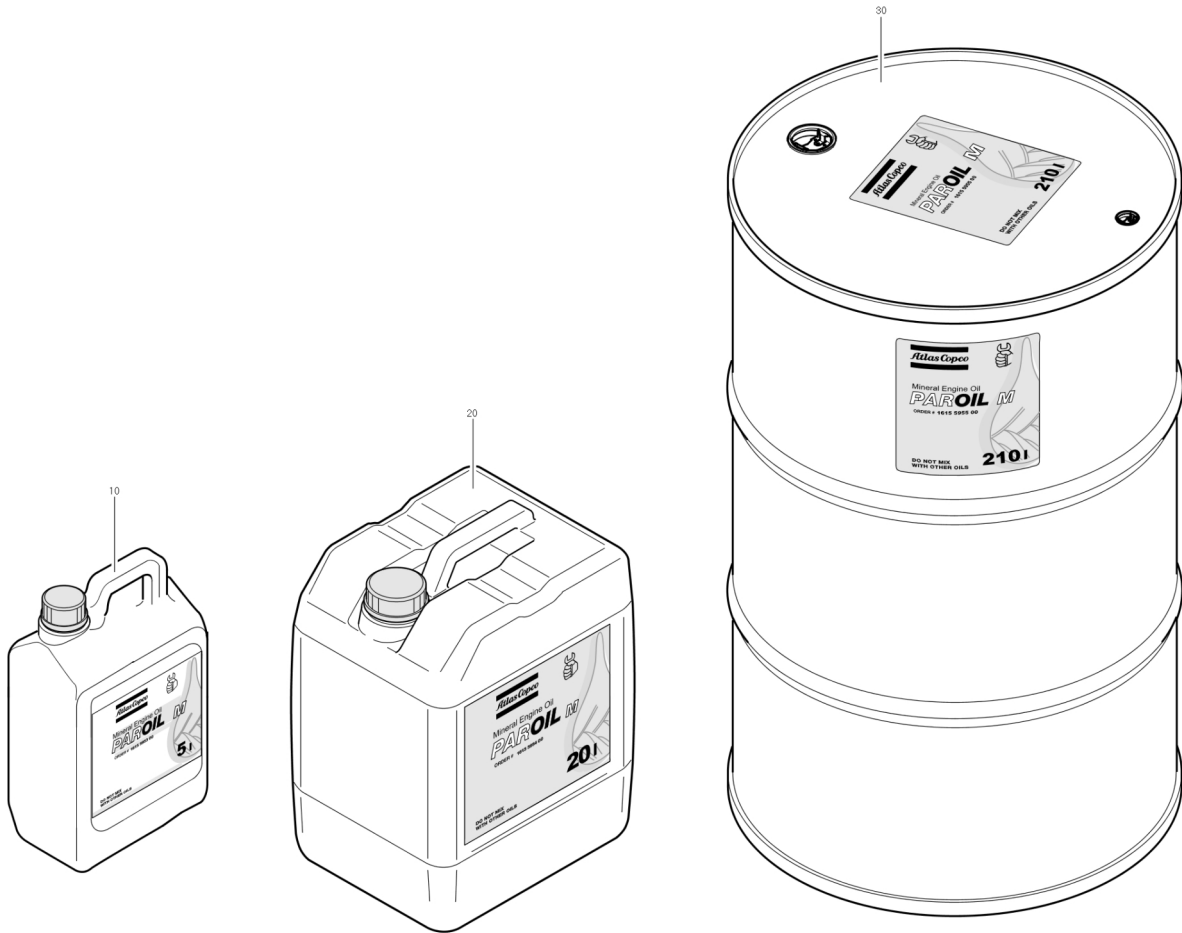
Id	Qty	Number	Name	Specifications
20	1	1607852263	SEAL WASHER	
30	1	2914805800	OIL FILTER ELEMENT	
37	1	1604579200	PREFILTER	
40	1	2913105300	NARROW V-BELT	
60	1	1613610590	OIL FILTERS	
35	1	2900068700	FILTER ELEMENT	
55	1	0653111500	GASKET 18X24X15	
65	1	1613800400	AIRFILTER-ELEMENT	
	1	2913122900	GASKET	
	1	0661100040	WASH SEAL 14.76	



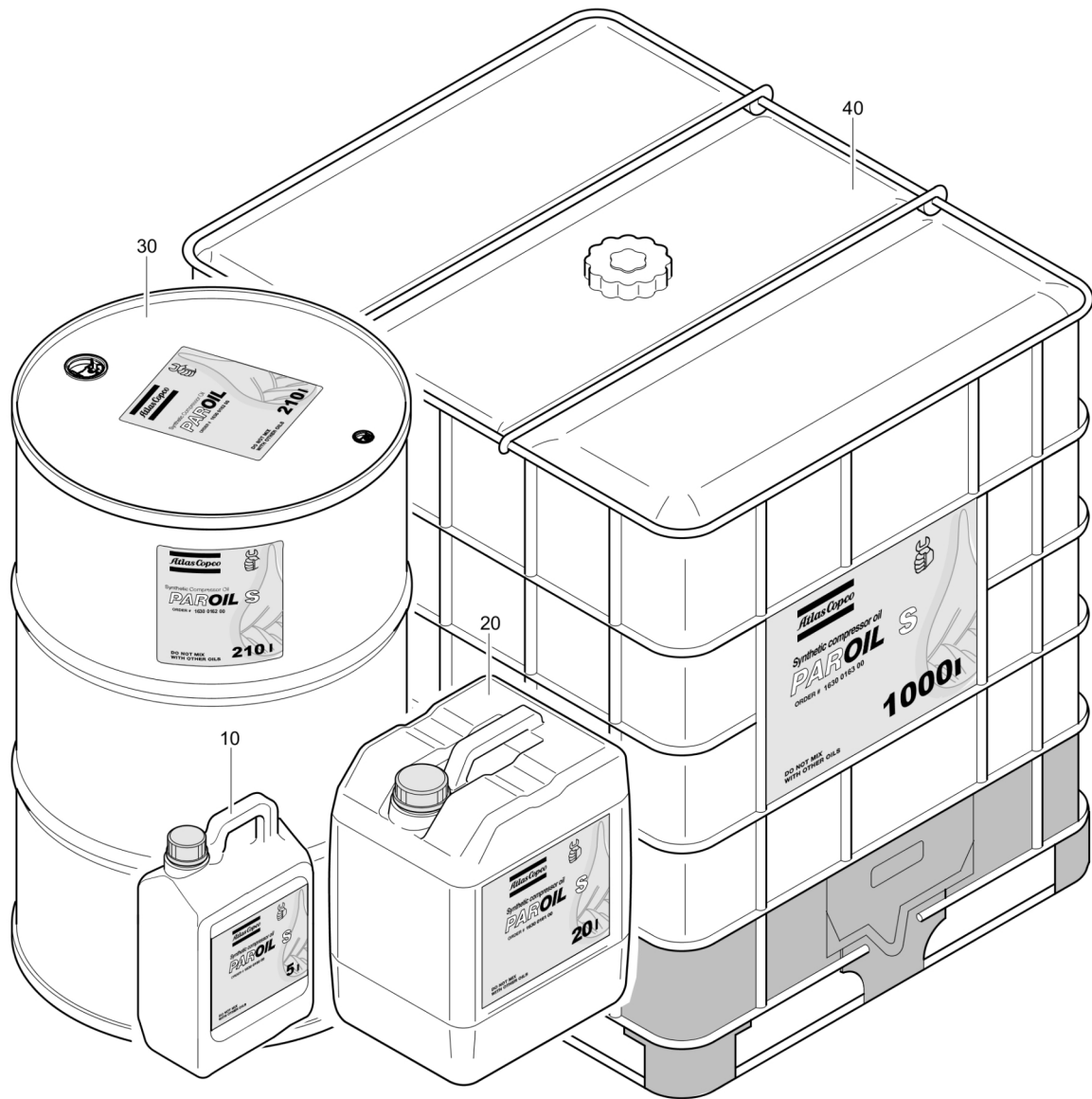
Id	Qty	Number	Name	Specifications
-				
10	1	1615595300	CAN PAROIL E 5L (1.32 GALLON)	
20	1	1615595400	CAN PAROIL E 20L (5.3 GALLON)	
30	1	1615595500	CAN PAROIL E 210L (55.5 GALLON)	
40	1	1630009600	CONTAINER PAROIL E 1000 LITER/264.1 GALLON	



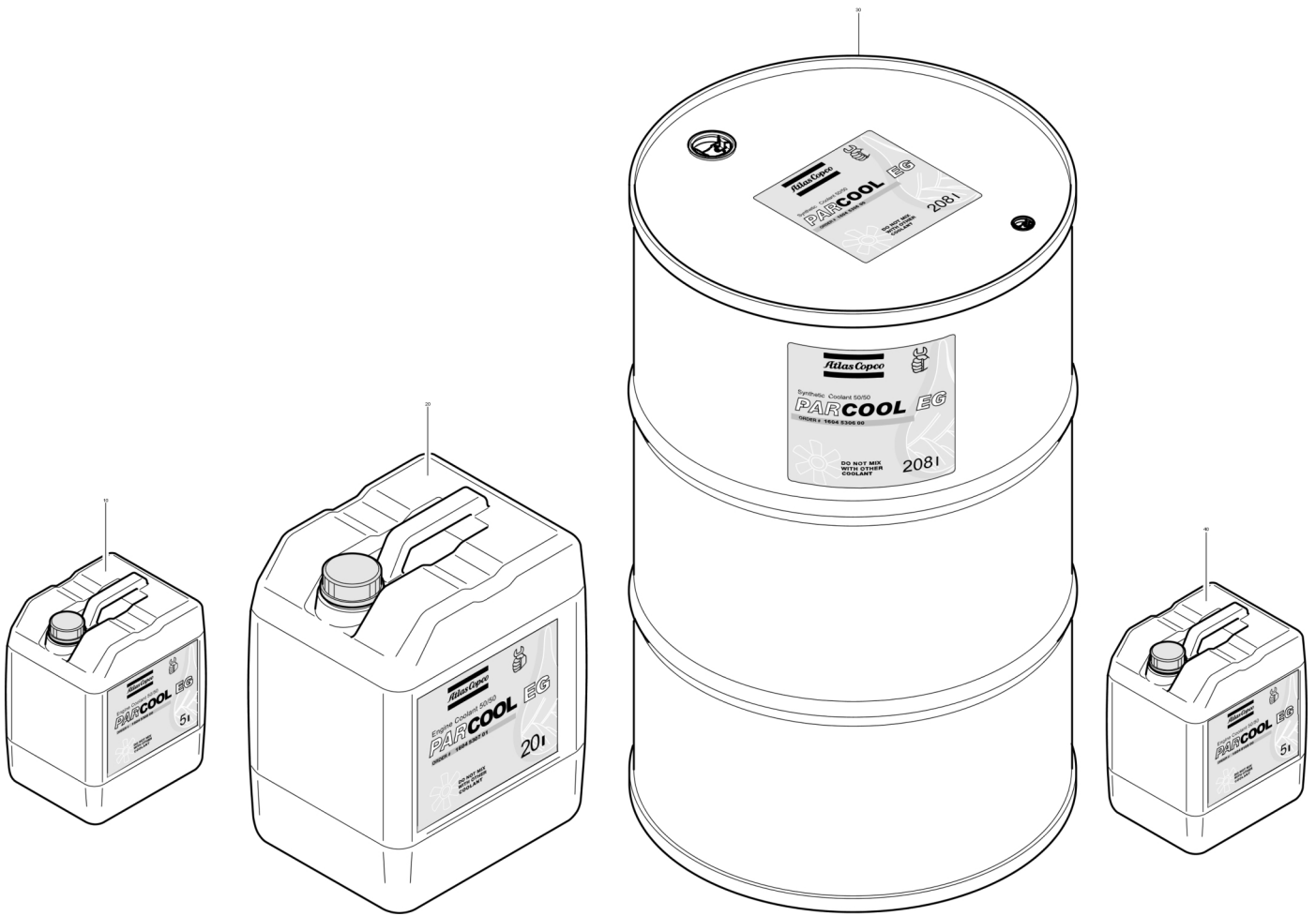
Id	Qty	Number	Name	Specifications
-				
10	1	1630013500	OIL CAN PAROIL EXTRA 5L	
20	1	1630013600	CAN PAROIL EXTRA 20 LITER/5.3 GALLON	



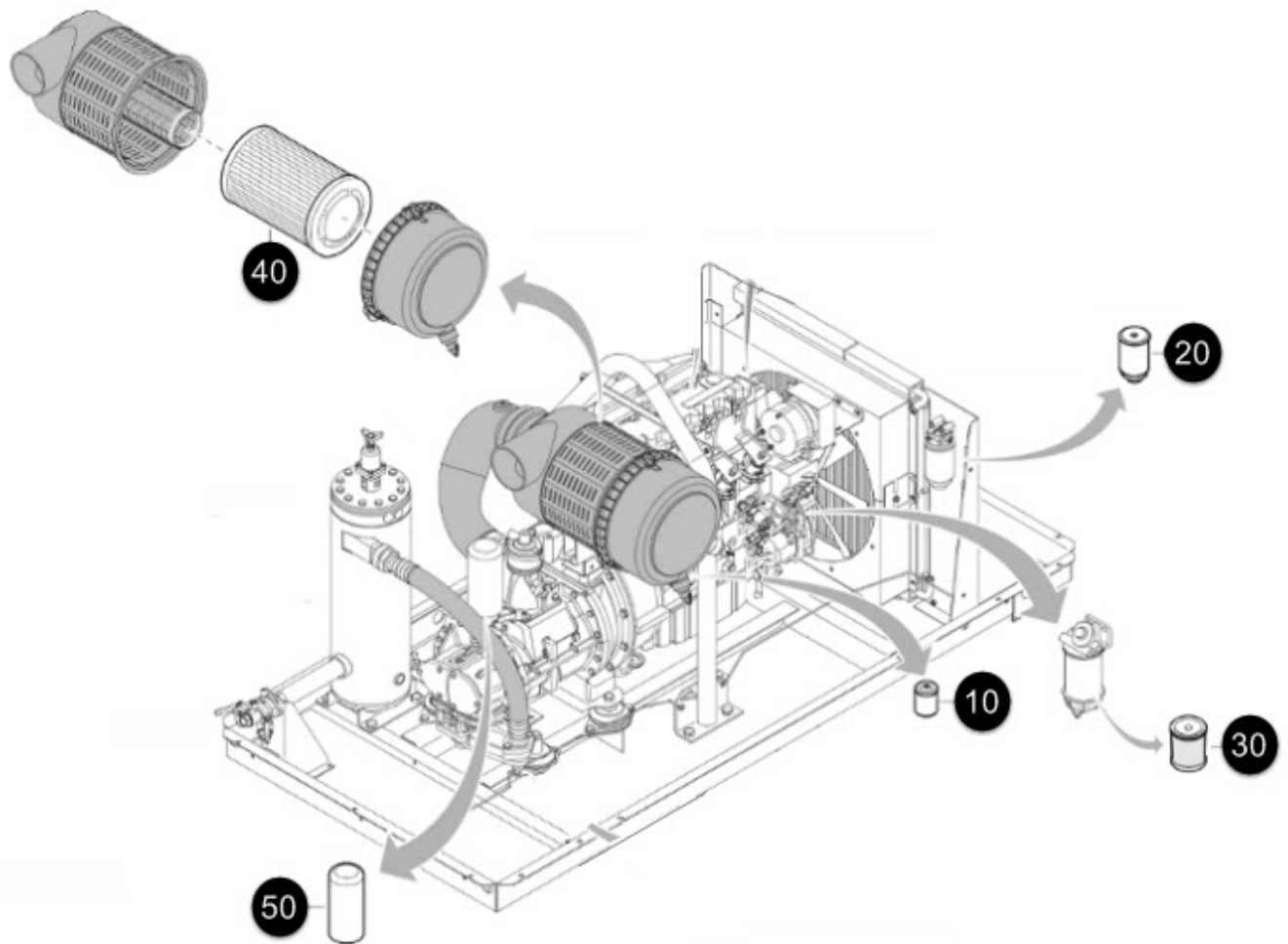
Id	Qty	Number	Name	Specifications
-			Comprerssor oil -Paroil M	
10	1	1615594700	OIL CAN PAROIL M 5L	
20	1	1615594800	OIL CAN PAROIL M 20L	
30	1	1615594900	BARREL PAROIL M 210 LITER/55.5 GALLON	



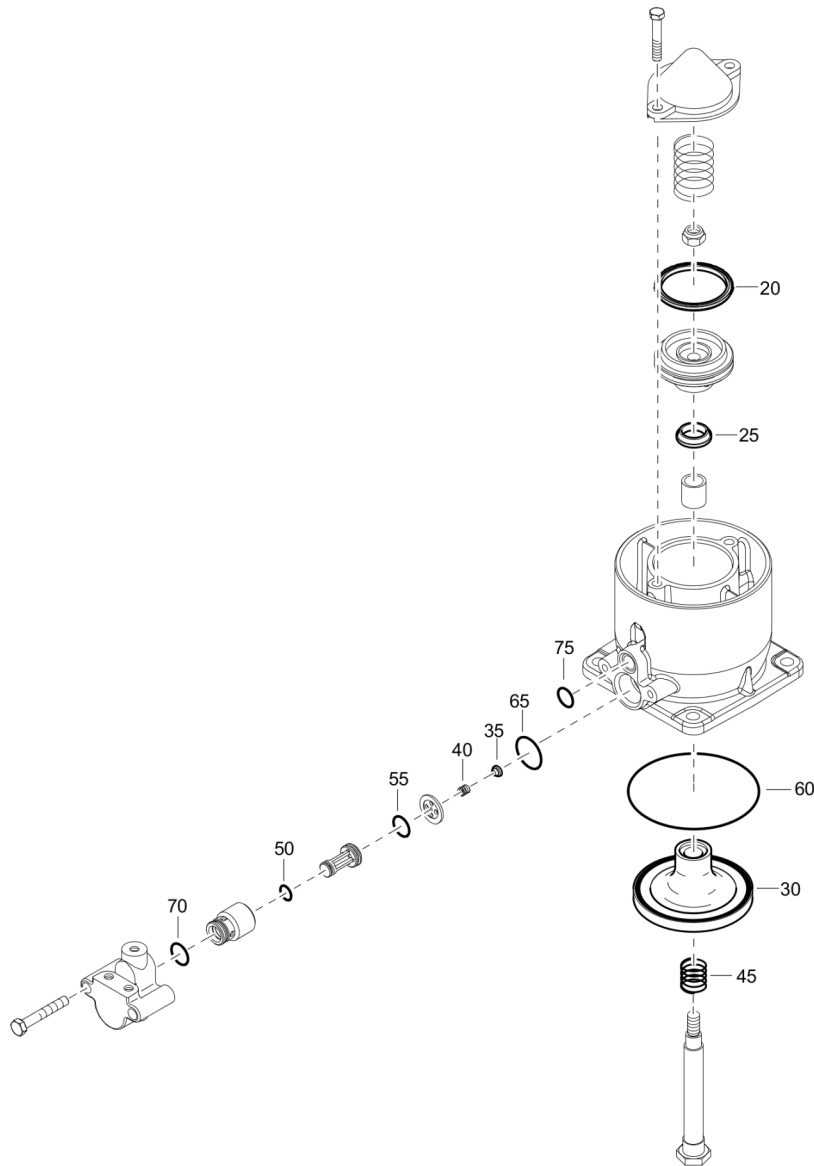
Id	Qty	Number	Name	Specifications
-			Compressor Oil -Paroil S	
10	1	1630016000	PAROIL S (CAN 5L)	
20	1	1630016100	PAROIL S (CAN 20L)	
30	1	1630016200	PAROIL S (BARREL 210L)	
40	1	1630016300	CONTAINER PAROIL S 1000 LITER/264.1 GALLON	



Id	Qty	Number	Name	Specifications
-			Engine coolant-paracool EG	
10	1			
20	1	1604530701	CAN PARCOOL EG 20 LITER/5.28 US GALLON	
30	1	1604530600	BARREL PARCOOL EG 210 LITER/55.5 US GALLON	
40	1	1604815900	CAN PARCOOL EG 5 LITER /1.32 US GALLON	

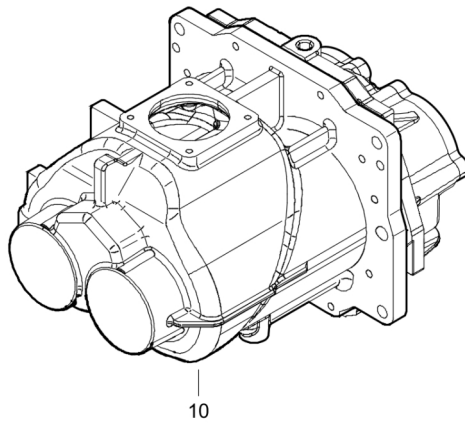


Id	Qty	Number	Name	Specifications
A			Kits Multi-Pack 10 Unit.	
10	10	1636310545	OIL FILTER ENGINE 10X	
-	1	2914805800	OIL FILTER ELEMENT	
20	10	1636310546	FUEL FILTER 10X	Version: 2
30	10	1636310507	FUEL W/S FILTER 10X	
-	1	2914809200	FUEL FILTER	
40	10	1636310508	AIR FILTER 10X	
-	1	2914502900	AIR FILTER ELEMENT	
50	10	1636310509	Oil Filter Compressor (X10) Multi-Pack	
-	1	1613610590	OIL FILTERS	
B			Kits Multi-Pack 24 Unit.	
10	24	1636310550	OIL FILTER ENGINE 24X	
20	24	1636310551	FUEL FILTER 24X	Version: 2
30	24	1636310512	FUEL W/S FILTER 24X	
40	24	1636310513	AIR FILTER 24X	
50	24	1636310514	Oil Filter Compressor (X24) Multi-Pack	

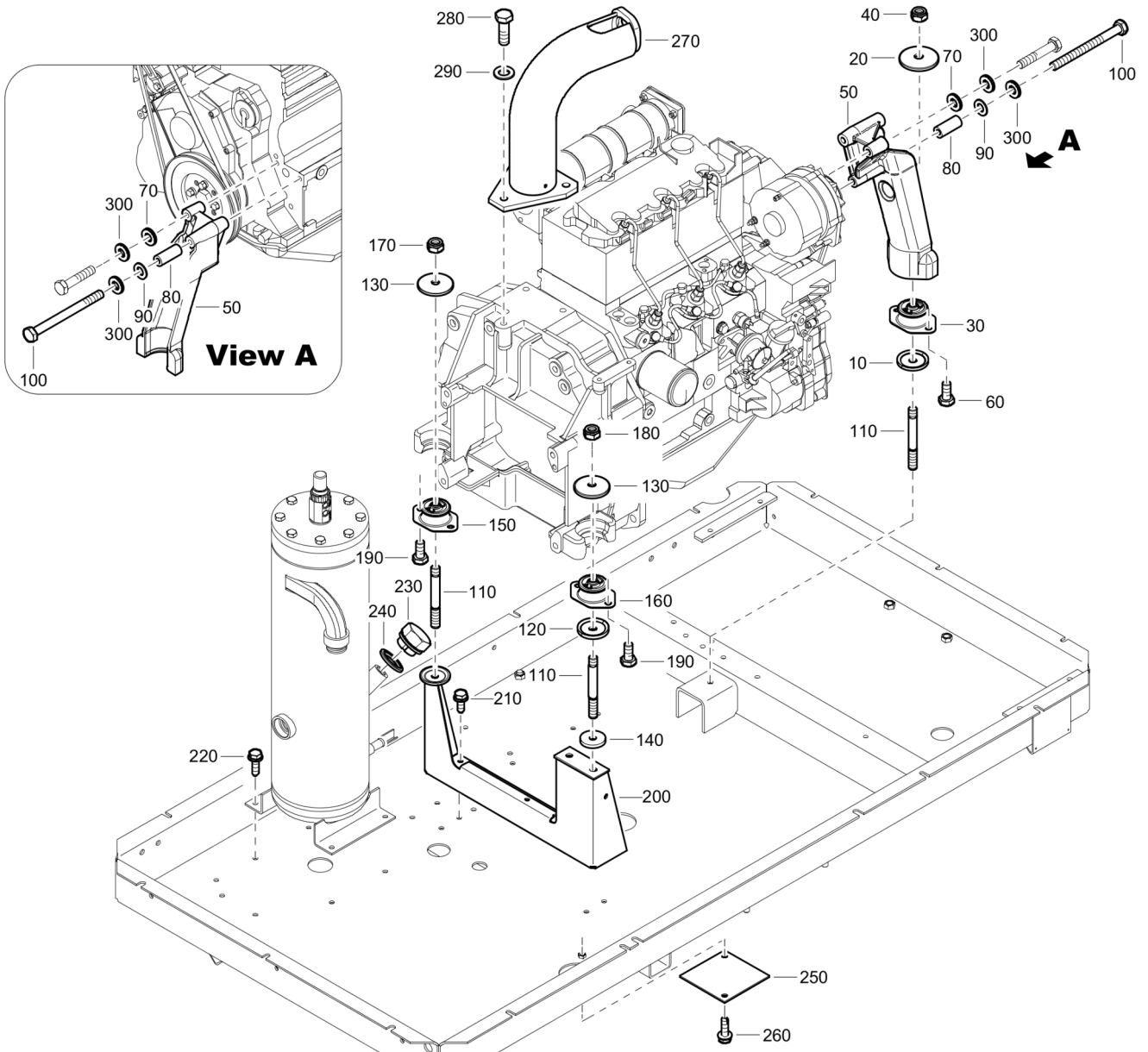


Id	Qty	Number	Name	Specifications
20	1			
25	1			
30	1			
35	1			
40	1			
45	1			
50	1			
55	1			
60	1			
65	1			
70	1			
75	1		O-RING	

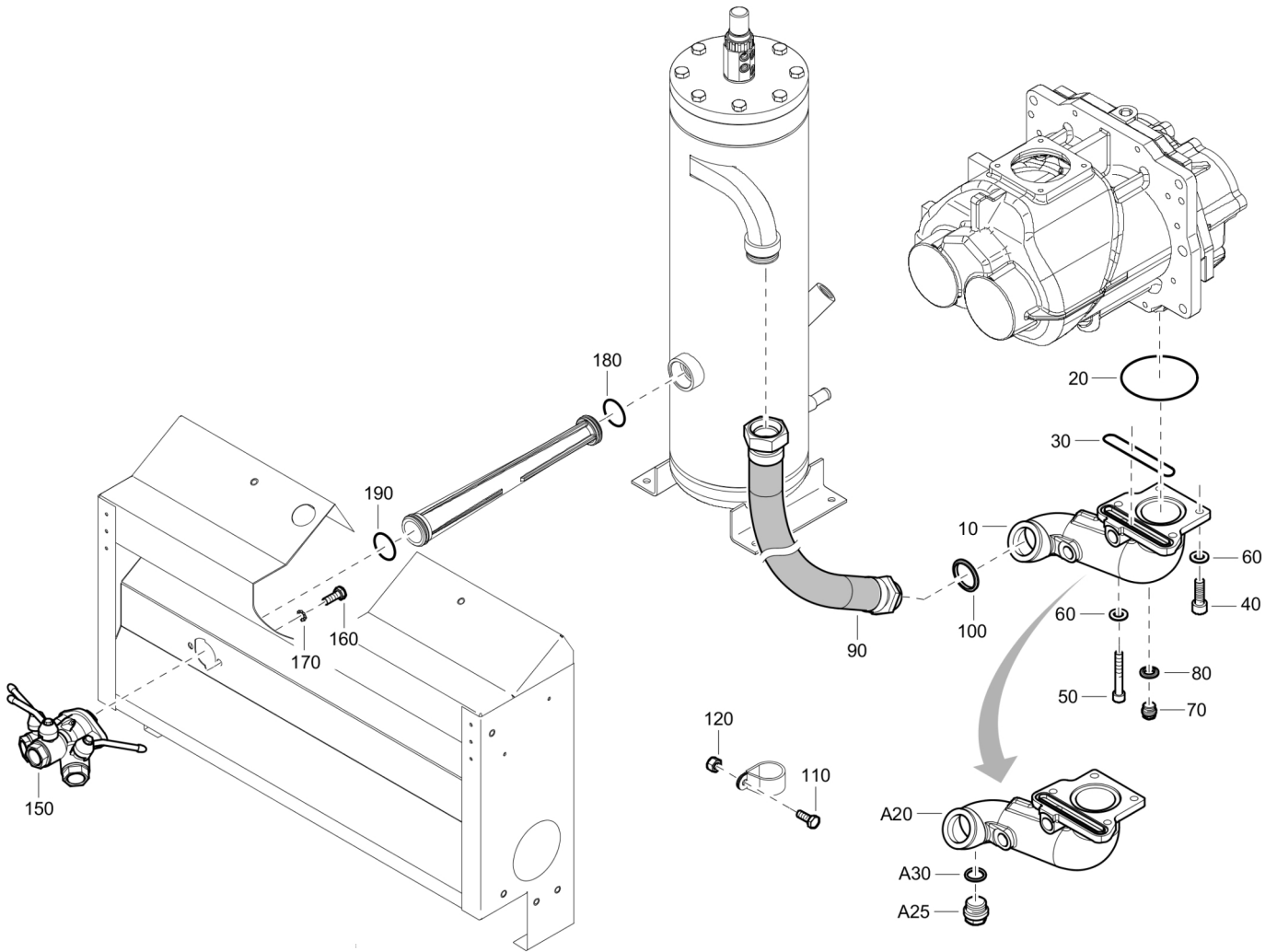
Id	Qty	Number	Name	Specifications
10			AIR FILTER ELEMENT	



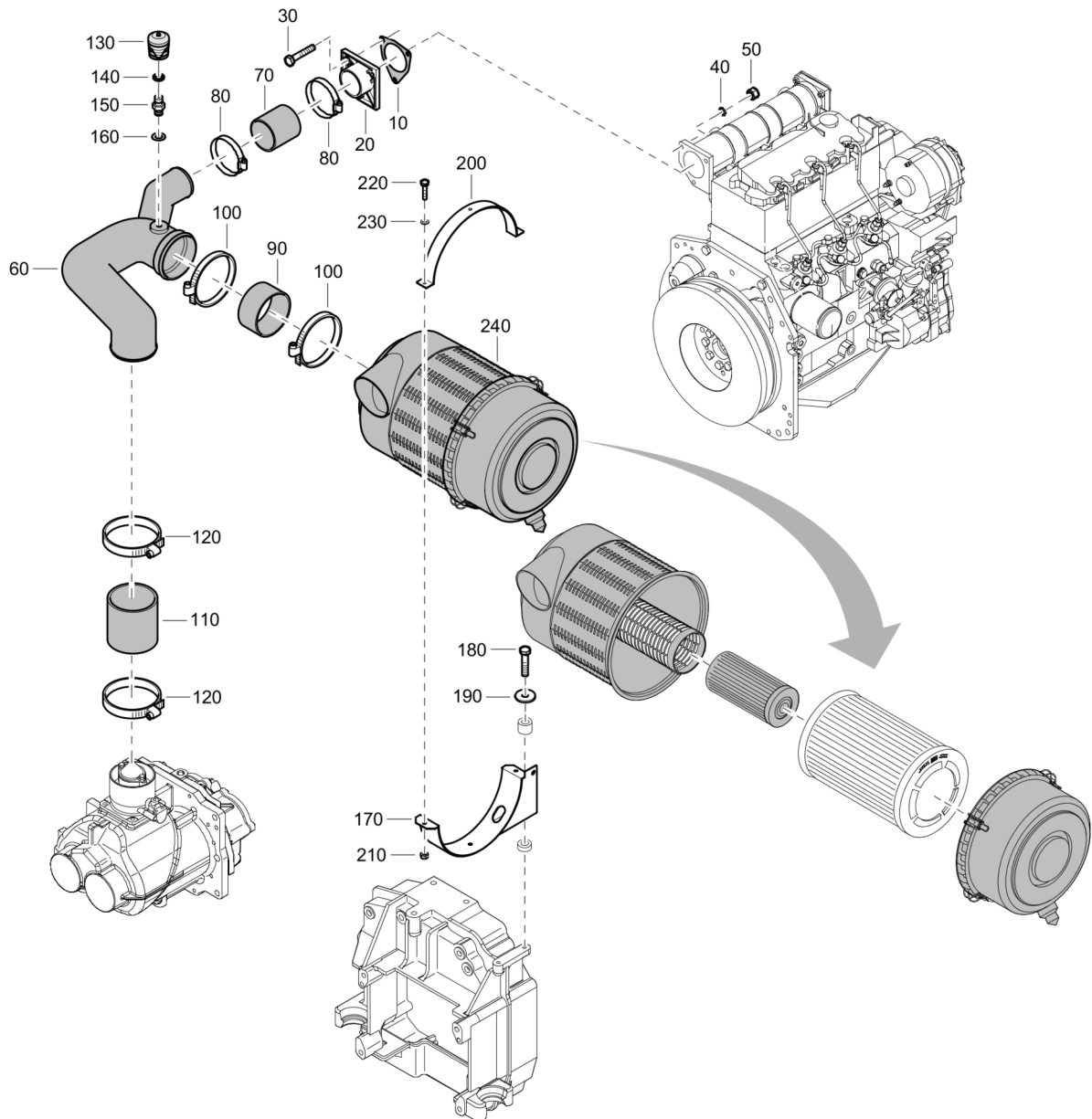
Id	Qty	Number	Name	Specifications



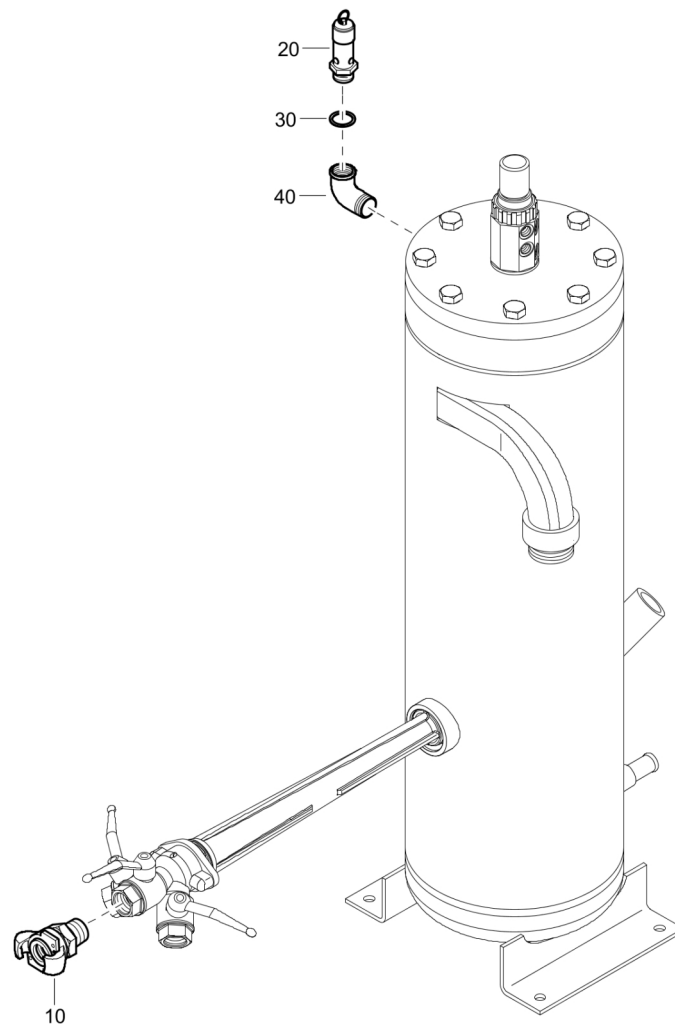
Id	Qty	Number	Name	Specifications
10	1	1094820600	DISK	
20	1	1604422001	DISC	
30	1	1615830900	ANTIVIBRATION PAD	
40	1	0291111100	LOCK NUT M10	
50	1	1604399100	SUPPORT	
60	2	0147136003	HEX HEAD SCREW	
70	1	0333520013	WASHER LOCK	
80	1	1626811300	BUSHING	
90	6	0301234400	PLAIN WASHER M10	
100	2	0147137903	HEX. HEAD SCREW M10 X 110	
110	3	0246195655	ROD	
120	1	1094820600	DISK	
130	2	1604422001	DISC	
140	1	1604390600	SPACER	
150	1	1202900602	ANTIVIBRATION PAD	
160	1	1202900603	ANTIVIBRATION PAD	
170	1	0291111100	LOCK NUT M10	
180	1	0291111100	LOCK NUT M10	
190	4	0147136003	HEX HEAD SCREW	
200	1	1092032357	Engine support	
210	4	1619276600	PAINT STRIPPING BOLT(M8x20)	
220	4	1615566400	HEX. HEAD SCREW	
230	1	1615508000	PLUG	
240	1	0661100029	SEAL WASHER	
250	1	1604541903	COVER	
260	2	1615566400	HEX. HEAD SCREW	
270	1	1604409931	EYE	
280	3	0147140203	HEX. HEAD SCREW M12 X 35	
290	3	0301235800	WASHER PLAIN 12	
300	2	0333520013	WASHER LOCK	



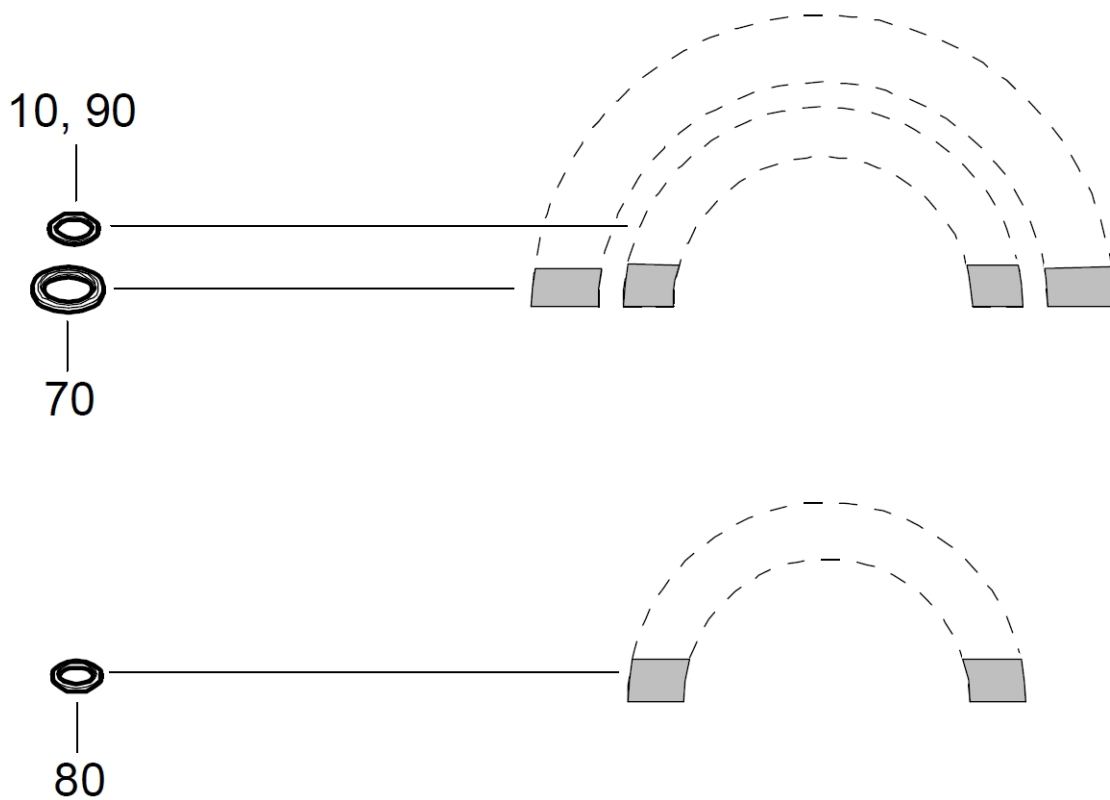
Id	Qty	Number	Name	Specifications
10	1	1604577781	MANIFOLD XAS77-97	
A20	1	1094154000	Manifold	
A25	1	0686423018	PLUG M18X1.5X12	
A30	1	0653111500	GASKET 18X24X15	
20	1	0663713700	O-RING	
30	1	0663714100	O RING 84.5X3	
40	3	0211196415	PARAF.ALLEN M10X30HEX SOCK SCR	
50	1	0211196403	Screw	
60	4	0301234400	PLAIN WASHER M10	
70	1	0686371601	PLUG 1/4 AA	
80	1	0661100025	SEAL WASHER	
90	1	1094156800	HOSE ASSEMBLY	
100	1	0661100045	VESSEL OIL INLET SEAL	
110	1	0147132203	PARAF M8X16 DIN933 8.8 FZB	
120	1	0266211000	NUT	
150	1	1626857390	VALVE 3 WAY	
160	2	0211132300	HEX SOCK. SCREW	
170	2	0333322700	ARRUELA DENT.8,4	
180	1	0663313100	O-RING	
190	1	0663313000	O-RING 32.2X3	



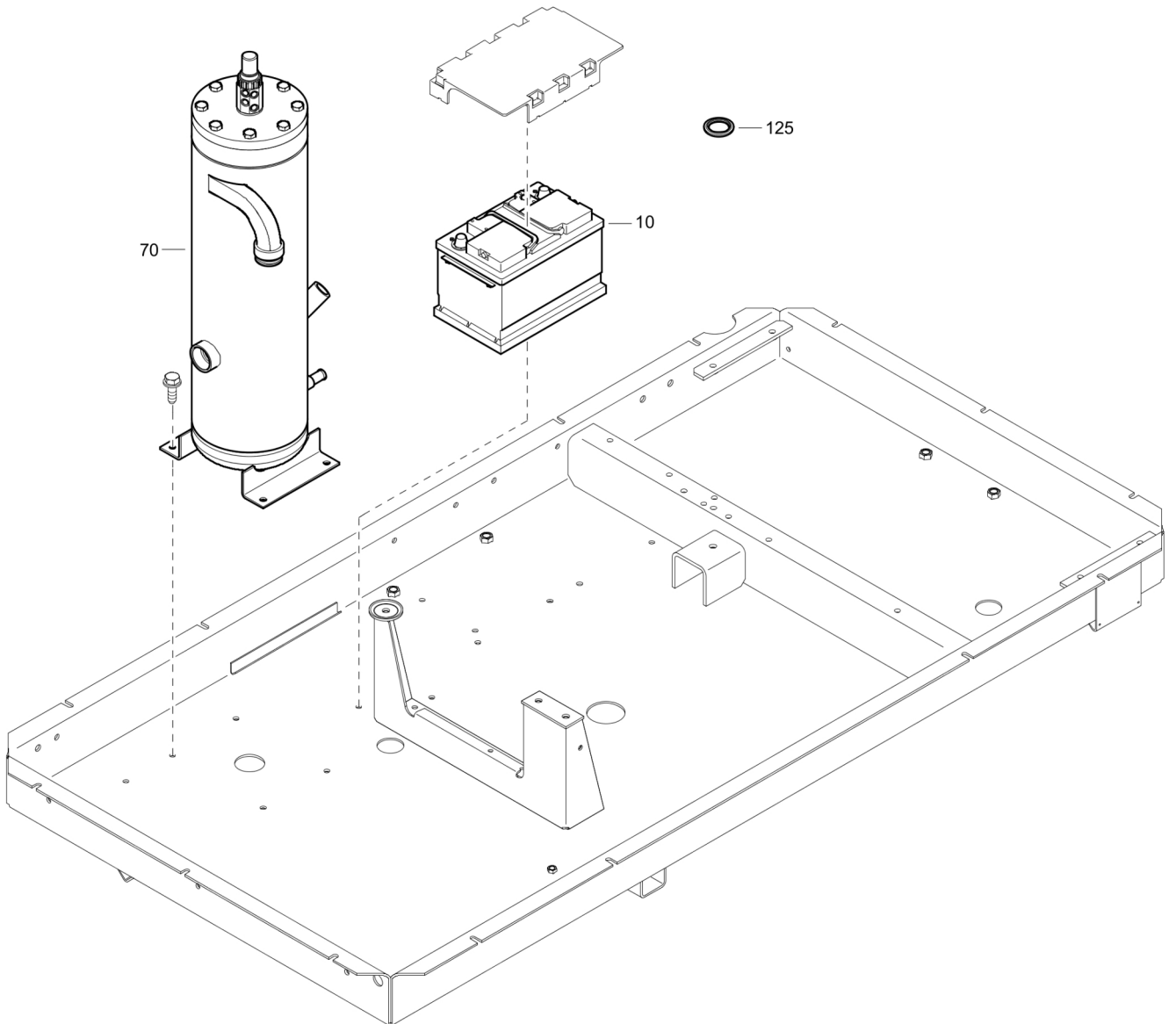
Id	Qty	Number	Name	Specifications
10	1	1202991000	GASKET	
20	1	1092039463	ADAPTOR	
30	3	0147132803	SCREW:M 8X 40;HEX HD,ZN PLT,\$S	
40	3	0333322700	ARRUELA DENT.8,4	
50	3	0266211000	NUT	
60	1	1615939600	Air duct	
70	1	1615770400	Hose	
80	2	0347611600	HOSE CLAMP	
90	1	1615943800	HOSE	
100	2	0347611500	HOSE CLIP	
110	1	1615770600	HOSE	
120	2	0347611500	HOSE CLIP	
130	1	1613791201	RESTRICTION INDIC.	
140	1	0661101400	SEALING WASHER	
150	1	1612215200	NIPPLE HEXAGON	
160	1	0653104600	FLAT GASKET	
170	1	1615944100	Bracket	
180	2	0147132303	HEX. HEAD SCREW M8 X 20	
190	2	0301233500	PLAIN WASHER(A) 8.4 X 16 X 1.6	
200	1	1615943900	Clamp	
210	2	0291110800	LOCK NUT	
220	2	0147124903	HEX. HEAD SCREW	
230	2	0301232100	WASHER M6	
240	1	1615938801	Air filter	



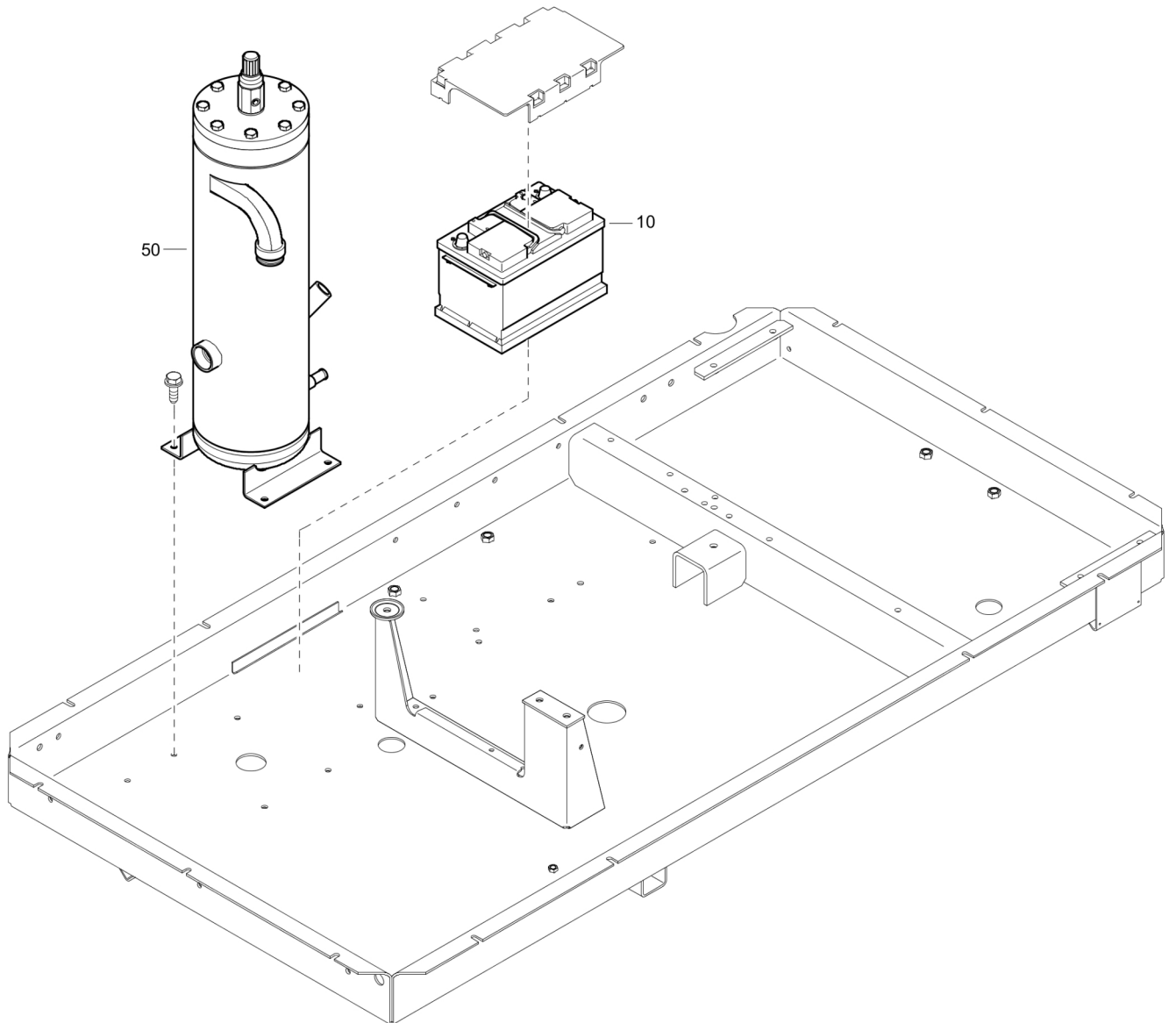
Id	Qty	Number	Name	Specifications
10	3	1094838800	COUPLING	
20	1	0830100518	SAFETY VALVE SQE	
30	1	0653112400	GASKET 21 X 26 X 1.5	
40	1	0560020023	ELBOW	



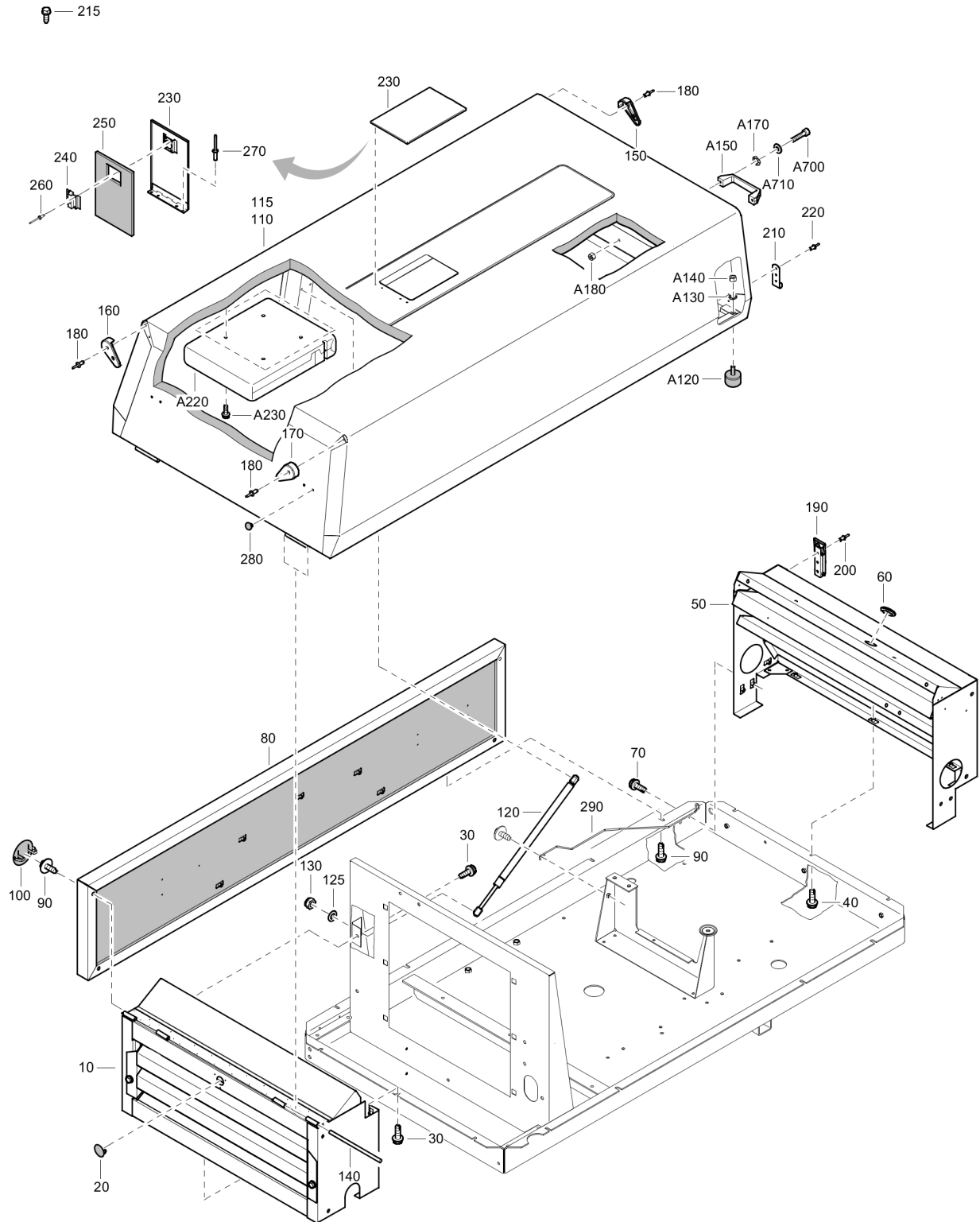
Id	Qty	Number	Name	Specifications
-		PARTS FROM SERVICE PAK --- XAS 97 Dd WUX - XAS 185 DD7 WUX	PARTS FROM SERVICE PAK - (ACTUAL SIZE)	
10			SEAL WASHER	
70			Seal kit	
80			Seal kit	
90			SEAL WASHER	



Id	Qty	Number	Name	Specifications
10	1	1092648600	BATTERY 65AH 570CCA	
70	1	1625002149	Vessel assembly	
125	1	0661103800	SEALING WASHER	



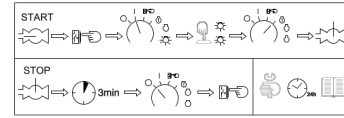
Id	Qty	Number	Name	Specifications
10	1	1092648600	BATTERY 65AH 570CCA	
50	1	1092061365	Vessel assembly	Version: 8



Id	Qty	Number	Name	Specifications
10	1	1094102680	FRONT BAFFLE ASSY	
20	1	1626412100	PLUG	
30	7	1615566400	HEX. HEAD SCREW	
40	3	1615566400	HEX. HEAD SCREW	
50	1	1092061427	REAR BAFFLE ASSY.	
60	1	1088080142	GROMMET	
70	4	1604342300	SCRAPER BOLT	
80	1	1092061494	SIDE PANEL ASSY.	Version: 1
90	8	1615566400	HEX. HEAD SCREW	
100	8	1604385800	PLUG	
110	1	1094102780	HOOD ASSY. XAS97	
115	1	1092061248		Version: 1
120	2	1092042474	GAS SPRING	
125	2	0301233500	PLAIN WASHER(A) 8.4 X 16 X 1.6	
130	2	0291110800	LOCK NUT	
140	2	1605002500	ROD	
150	2	1604405600	PROTECTION	
160	1	1604405700	PROTECTION	
170	1	1604406200	PROTECTION	
180	8	0129310300	BLIND RIVET	
190	2	1094323800	LATCH	
200	6	0129317401	RIVET	
210	2	1604673300	CATCH	
215	2	1619589801	HEX. HEAD SCREW	
220	6	0129317401	RIVET	
230	1	1604384601	DOOR	
240	1	1613665001	LOCK	
250	1	1604618100	SEAL	
260	4	0129310800	BLIND RIVET	
270	4	0129310100	BLIND RIVET	
280	4	0686925286	PLUG	
290	1	1605076700	GUIDE	

EN READ THE INSTRUCTION BOOK AND SAFETY INSTRUCTION BEFORE OPERATION, HANDLING, SERVICE OR REPAIRING THIS MACHINE. IF MISSING, CONTACT YOUR SUPPLIER.

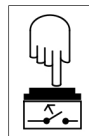
110



60



50

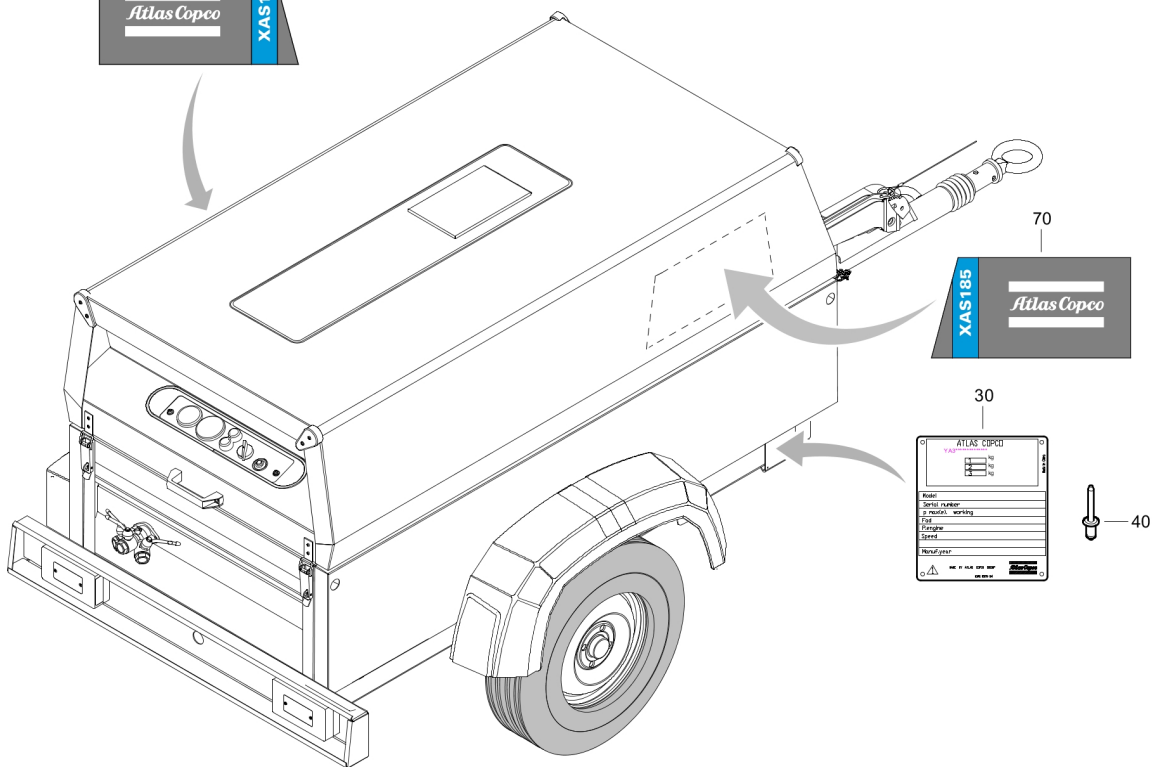


90

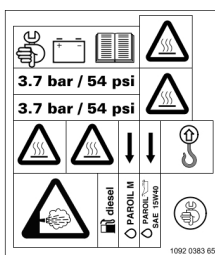
75



120

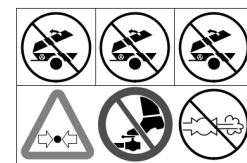


30



80

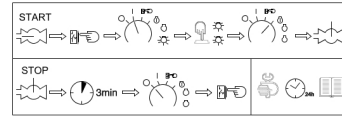
140



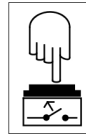
100

Id	Qty	Number	Name	Specifications
30	1		Data-plate(Not available separately)	
40	4	0129310700	RIVET D3,2 X 6MM AL/AC	
50	1	1079992490	INSTRUCTION LABEL	
60	1	1079992368	INFORMATION LABEL	
70	1	1094342100	DECAL XAS185	
75	1	1094342200	DECAL XAS185	
80	1	1092038365	LABEL	
90	1	1079991983	INFORMATION LABEL	
100	1	1079990229	DECAL	
110	1	1092062800	INSTRUCTION LABEL	
120	1	1079990258	DECAL	
140	1	1079992207	INFORMATION LABEL	

EN | READ THE INSTRUCTION BOOK AND SAFETY INSTRUCTION BEFORE OPERATION, HANDLING, SERVICE OR REPAIRING THIS MACHINE. IF MISSING, CONTACT YOUR SUPPLIER.



50



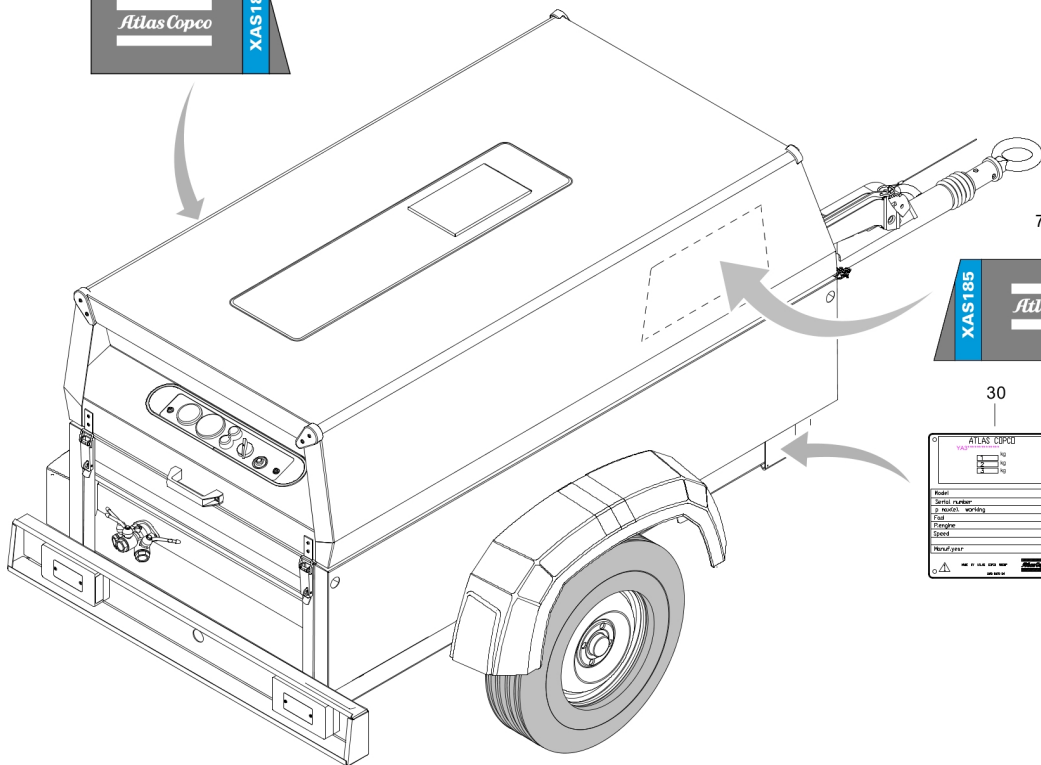
90



120



75



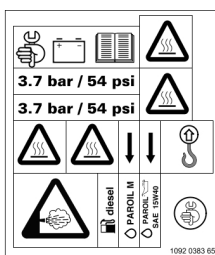
70

30

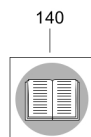
ATLAS COPCO	
Model	
Serial number	
Date of purchase / working	
Fuel	
Language	
Sheet	
Handwritten notes	



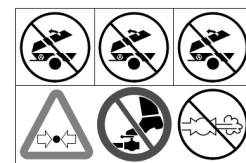
40



80

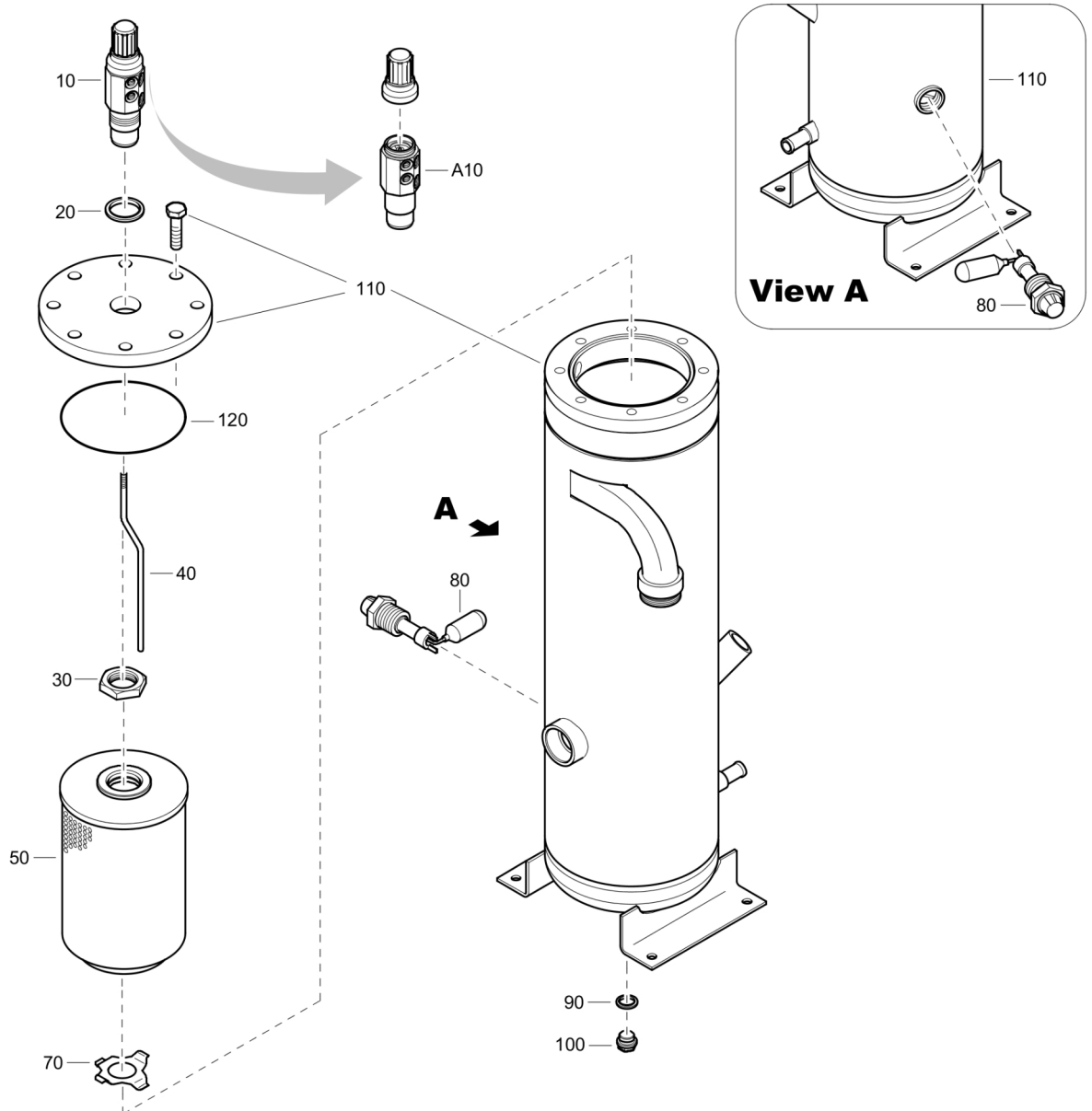


140

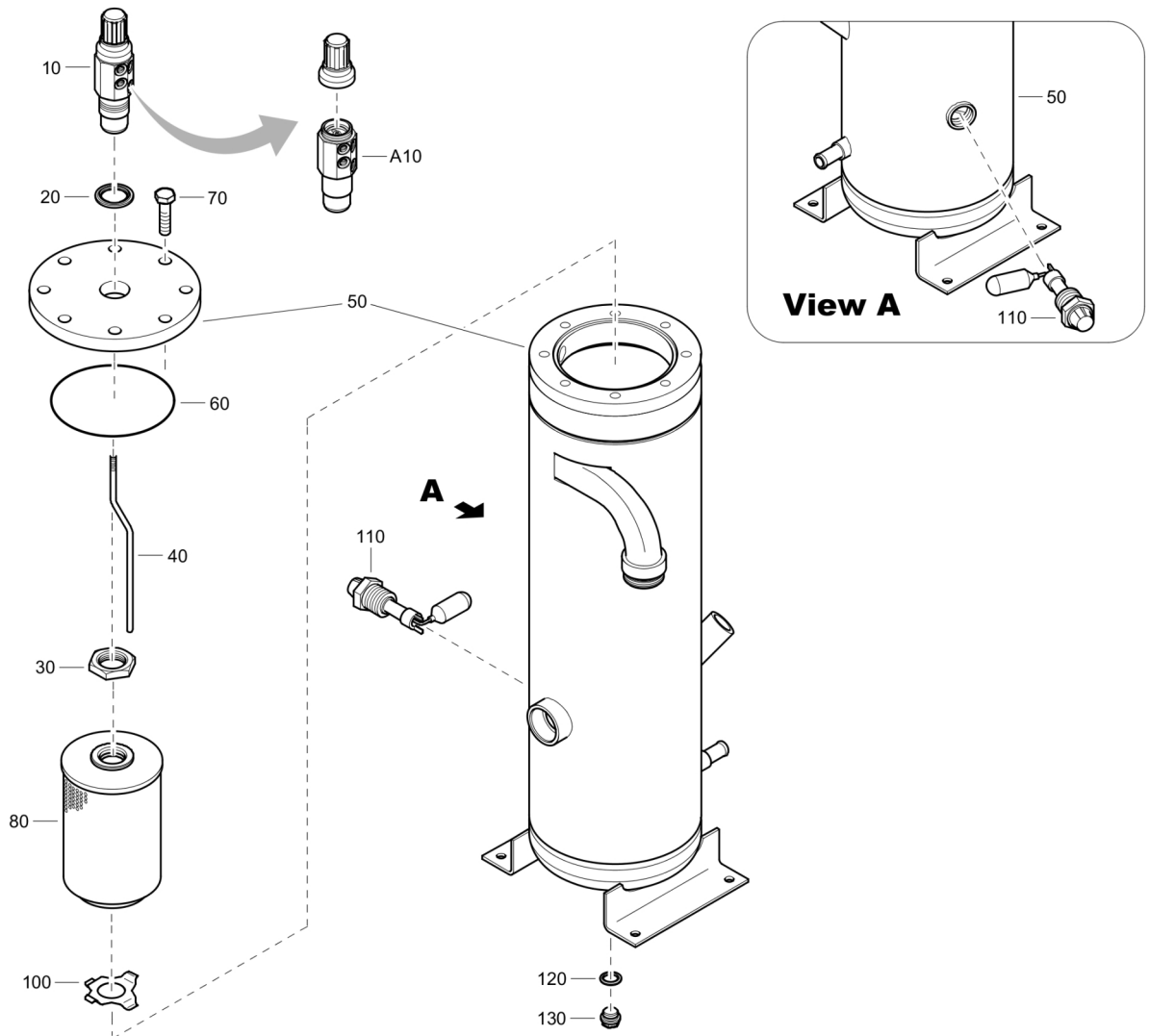


100

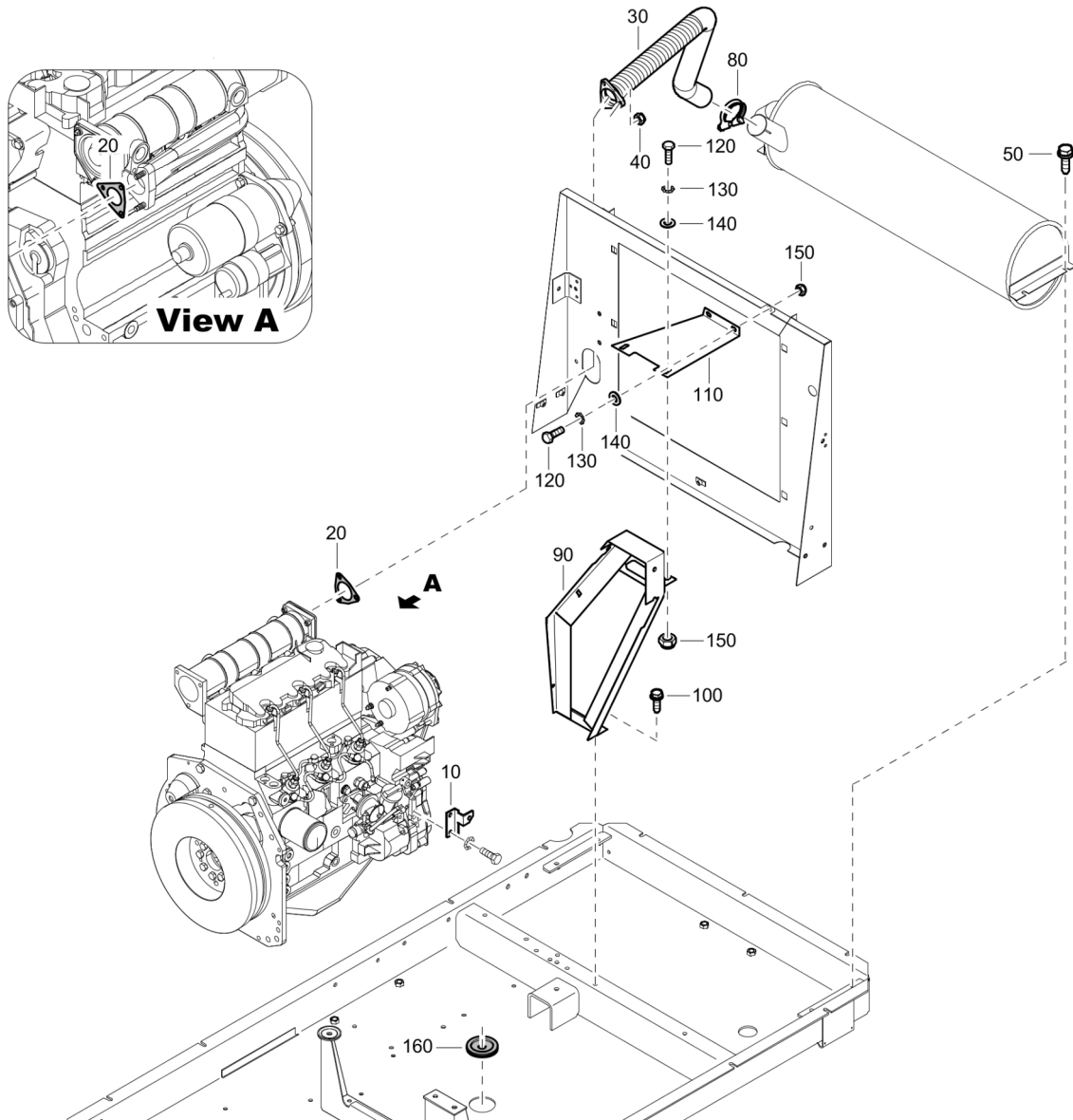
Id	Qty	Number	Name	Specifications
30	1		Data-plate(Not available separately)	
40	4	0129310700	RIVET D3,2 X 6MM AL/AC	
50	1	1079992490	INSTRUCTION LABEL	
60	1	1079992368	INFORMATION LABEL	
70	1	1094342100	DECAL XAS185	
75	1	1094342200	DECAL XAS185	
80	1	1092038365	LABEL	
90	1	1079991983	INFORMATION LABEL	
100	1	1079990229	DECAL	
110	1	1092042400	INSTRUCTION LABEL	
120	1	1079990258	DECAL	
140	1	1079992207	INFORMATION LABEL	



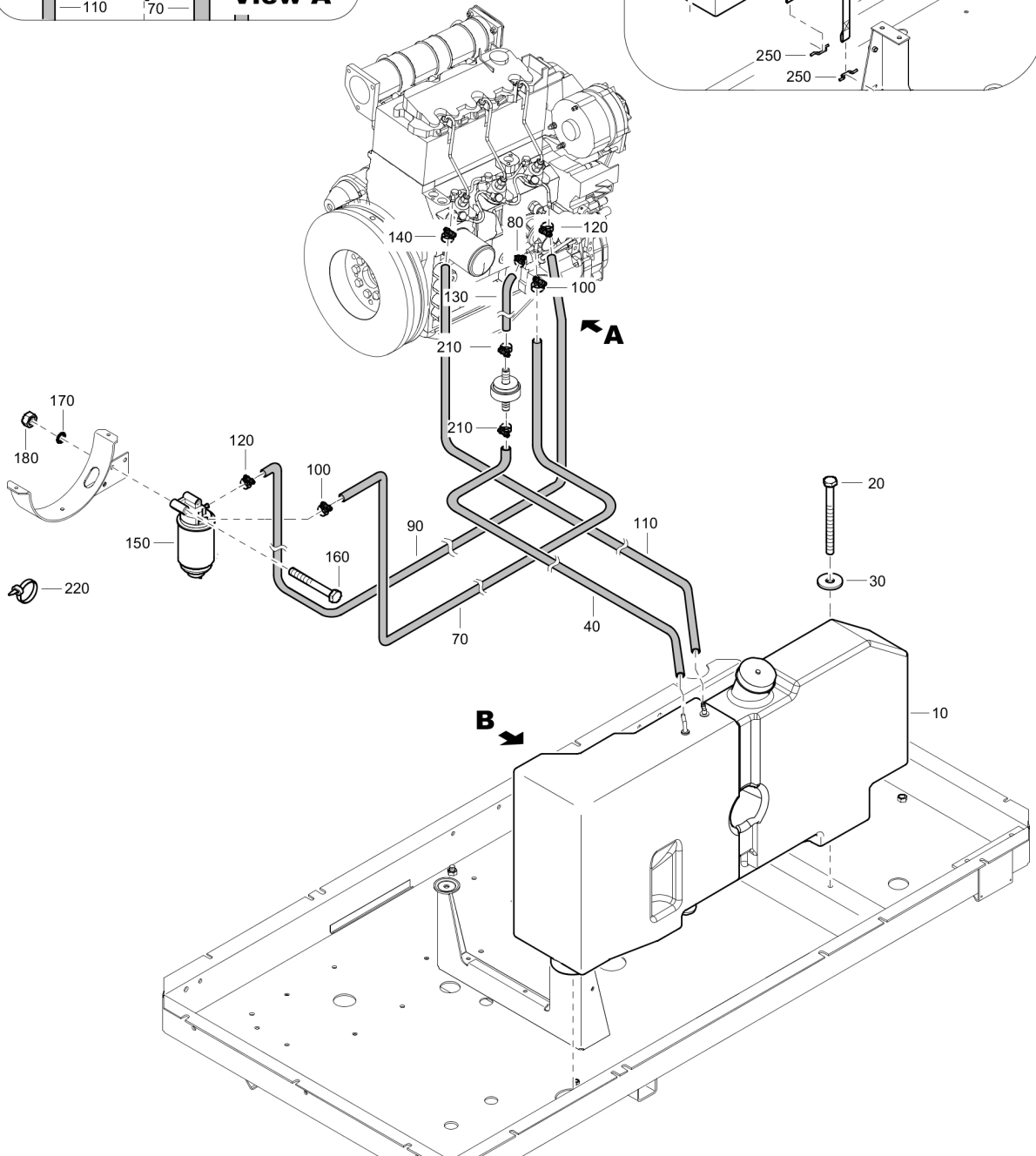
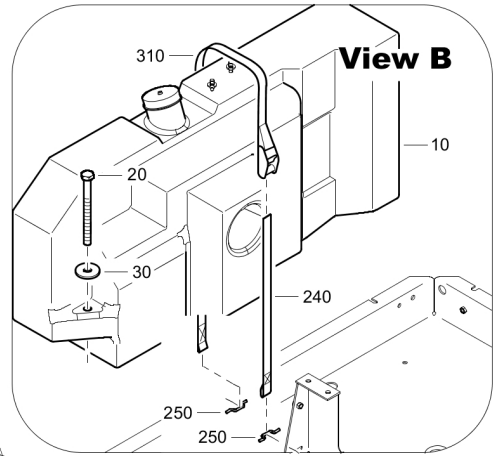
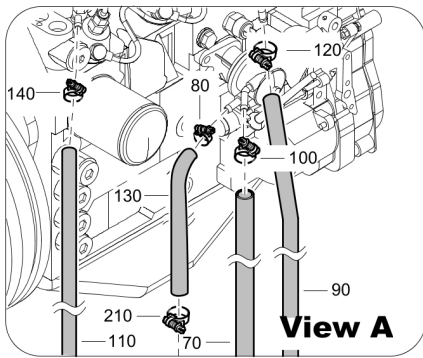
Id	Qty	Number	Name	Specifications
10	1	1615766480	VALVE REGUL.	
20	1	0661104900	SEAL WASHER	
30	1	0623210603	BACKNUT	
40	1	1615943700	TUBE	
50	1	1615943681	SEPARATOR OIL	Version: 2
70	2	1615769702	RETAINER	
80	1	1092065601	INDICATOR	
90	1	0661102600	SEAL WASHER 17.2 X 23.9 X 2	
100	1	0686420300	PLUG	
110	1	1625001574	VESSEL ASSY. ASME+MOM	
120	1	0663715100	O-RING	



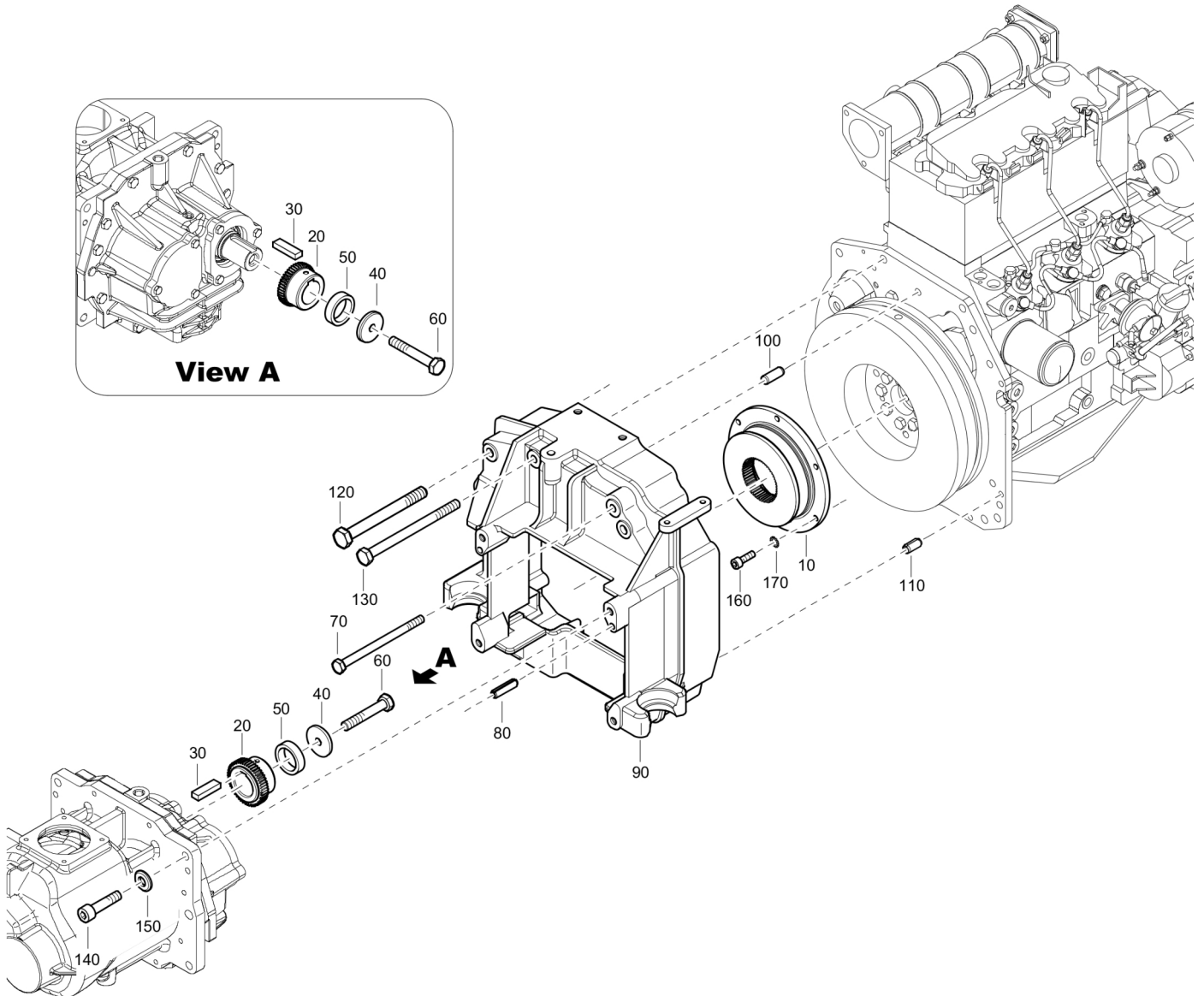
Id	Qty	Number	Name	Specifications
10	1	1615766480	VALVE REGUL.	
A10	1	1615766500	HOUSING	
20	1	0661100029	SEAL WASHER	
30	1	0623210603	BACKNUT	
40	1	1615943700	TUBE	
50	1	1092031580	VESSEL ASSY. SQL	
60	1	0663715100	O-RING	
70	8	0147140303	HEX. HEAD SCREW M12 X 40	
80	1	1615943681	SEPARATOR OIL	Version: 2
100	2	1615769702	RETAINER	
110	1	1092065601	INDICATOR	
120	1	0661102600	SEAL WASHER 17.2 X 23.9 X 2	
130	1	0686420300	PLUG	



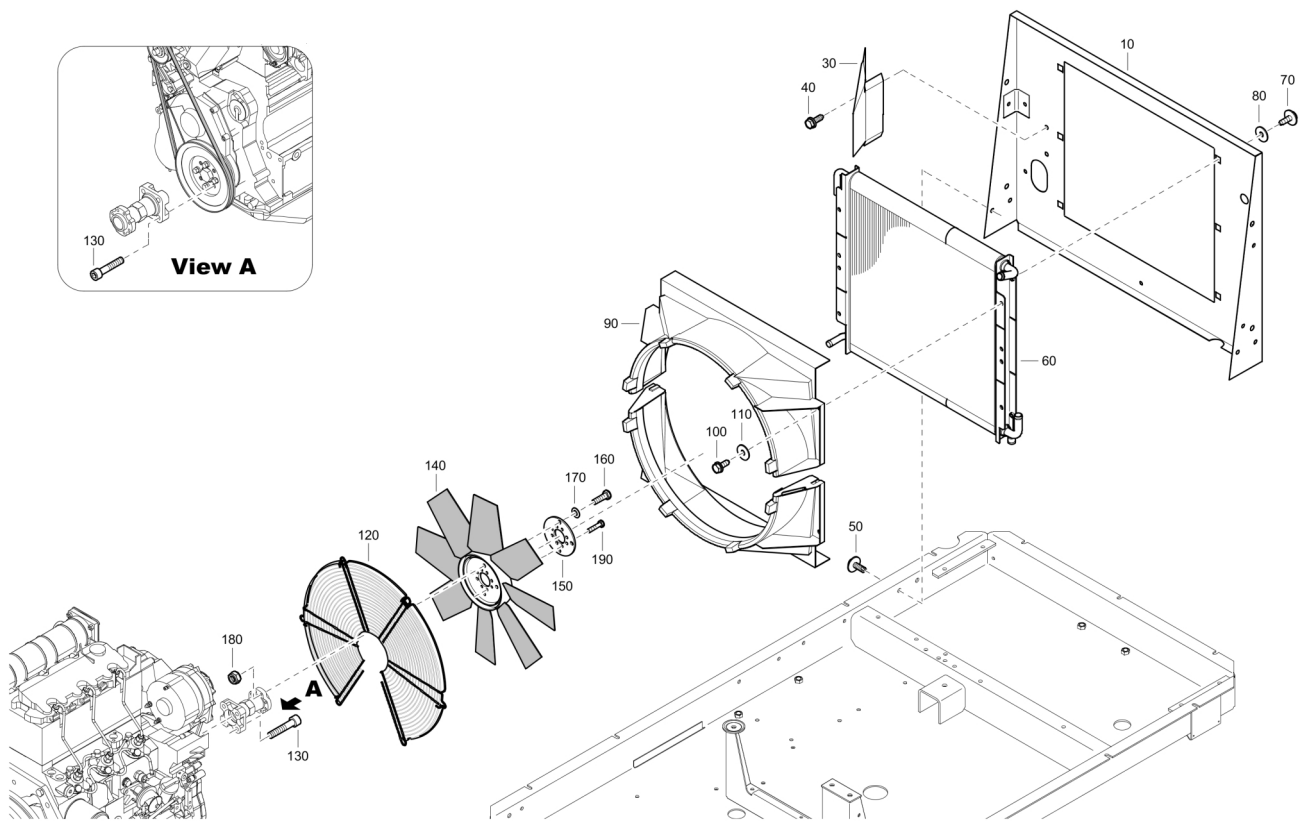
Id	Qty	Number	Name	Specifications
10	1	1615911200	LEVER	
20	1	1626488700	GASKET	
30	1	1604580400	PIPE WITH FLEXIBLE	
40	3	0291118504	LOCK NUT M8	
50	4	1615566400	HEX. HEAD SCREW	
80	1	0346300108	PIPE CLAMP	
90	1	1604405304	SCREEN	
100	2	1615566400	HEX. HEAD SCREW	
110	1	1604405402	PLATE	
120	4	0147132203	PARAF M8X16 DIN933 8.8 FZB	
130	4	0333322700	ARRUELA DENT.8,4	
140	4	0301233500	PLAIN WASHER(A) 8.4 X 16 X 1.6	
150	4	0266211000	NUT	
160	1	1604610500	Grommet	



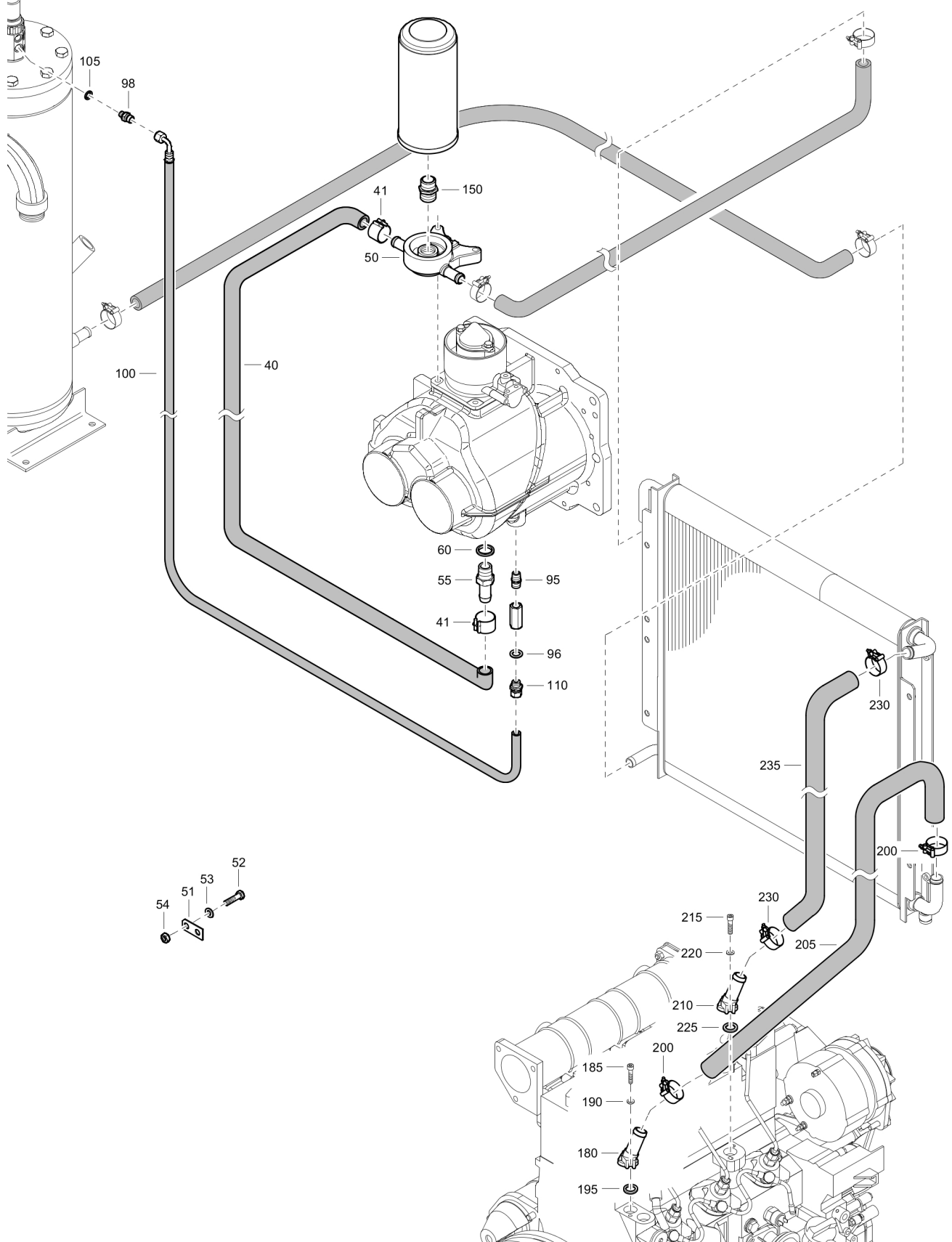
Id	Qty	Number	Name	Specifications
10	1	1604396485	TANK FUEL	
20	1	0147133803	SCREW:M 8X 90;HEX HD,ZN PLT,\$S	
30	1	0300027621	WASHER-FLAT:M 8.40/28.0X3.0T	
40		1092848300	FUEL HOSE	
70		1092848300	FUEL HOSE	
80	2	1092868800	FUEL HOSE CLIP	
90		1092848300	FUEL HOSE	
100	2	1092868800	FUEL HOSE CLIP	
110		1092848300	FUEL HOSE	
120	2	1092868800	FUEL HOSE CLIP	
130		1092848300	FUEL HOSE	
140	1	1092868800	FUEL HOSE CLIP	
150	1	1615881880	FUEL PRE-FILTER	
160	2	0147133103	HEX. HEAD SCREW	
170	2	0333322700	ARRUELA DENT.8,4	
180	2	0266211000	NUT	
210	2	1092868800	FUEL HOSE CLIP	
220	8	1088130103	CABLE TIE L186	
240	1	1626406800	STRAP	
250	2	1616461300	RETAINER	
310	1	1092038257	NYLON BAND	



Id	Qty	Number	Name	Specifications
10	1	1604076100	COUPLING (FEMALE)	
20	1	1094364300	COUPLING (MALE)	
30	1	0337519600	PARALLEL KEY	
40	1	1615544100	WASHER	
50	1	1604074500	BUSHING	
60	1	0147196271	SCREW	
70	1	0147138203	The Node XPDMXML/EBOMStructure	
80	2	0108139200	SPRING PIN	
90	1	1615939801	HOUSING	
100	1	0102046000	PARALLEL PIN	
110	2	0108341700	SPRING PIN	
120	4	0147145703	PARAF.SEXT. M14X140MM FZB	
130	2	0147142203	HEX. HEAD SCREW	
140	4	0211196298	SCREW	
150	4	0300027492	PLAIN WASHER	
160	6	0211132503	HEX SOCK. SCREW M8 X 25	
170	6	0333322700	ARRUELA DENT.8,4	

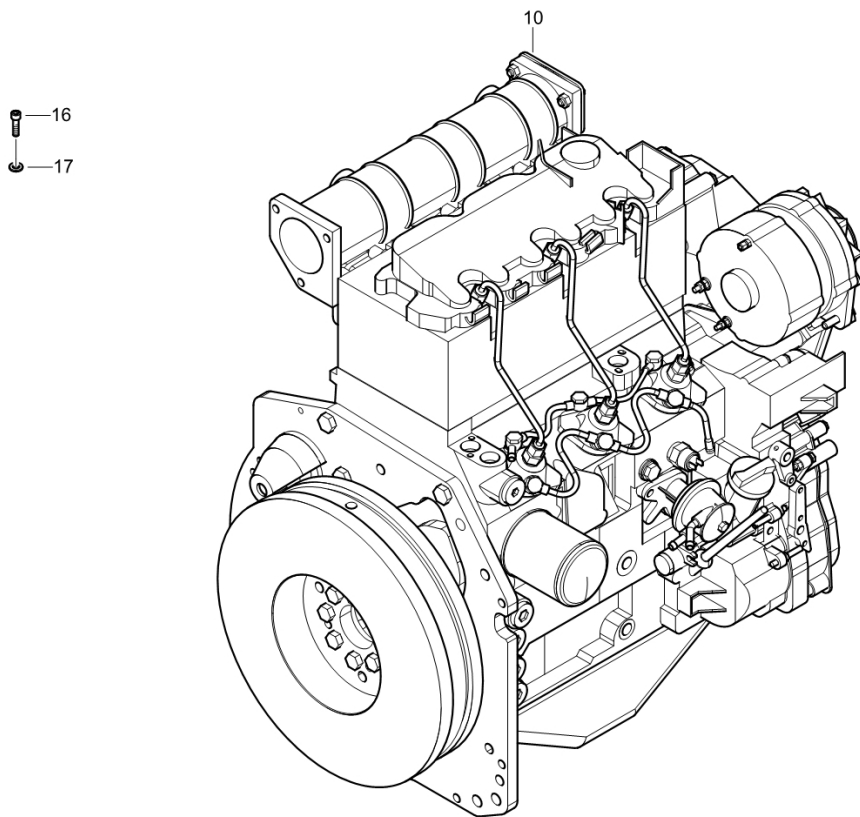


Id	Qty	Number	Name	Specifications
10	1	1092360880	COOLER PLATE	
30	1	1604578000	PROTECTION	
40	2	1619276600	PAINT STRIPPING BOLT(M8x20)	
50	4	1604342300	SCRAPER BOLT	
60	1	1092050403	COMBINE OIL COOLER	
70	4	1615566400	HEX. HEAD SCREW	
80	4	0300801900	WASHER M8	
90	2	1615774902	FAN COWL	
100	8	1619276600	PAINT STRIPPING BOLT(M8x20)	
110	8	0300801900	WASHER M8	
120	1	1625004707	FAN GUARD	
130	4	0211196301	HEX SOCK. SCREW	
140	1	1604585400	FAN	
150	1	1615943300	CLAMPING RING	
160	4	0147132503	SCREW	
170	4	0301233500	PLAIN WASHER(A) 8.4 X 16 X 1.6	
180	4	0291111000	LOCK NUT M8	
190	8	0147124903	HEX. HEAD SCREW	

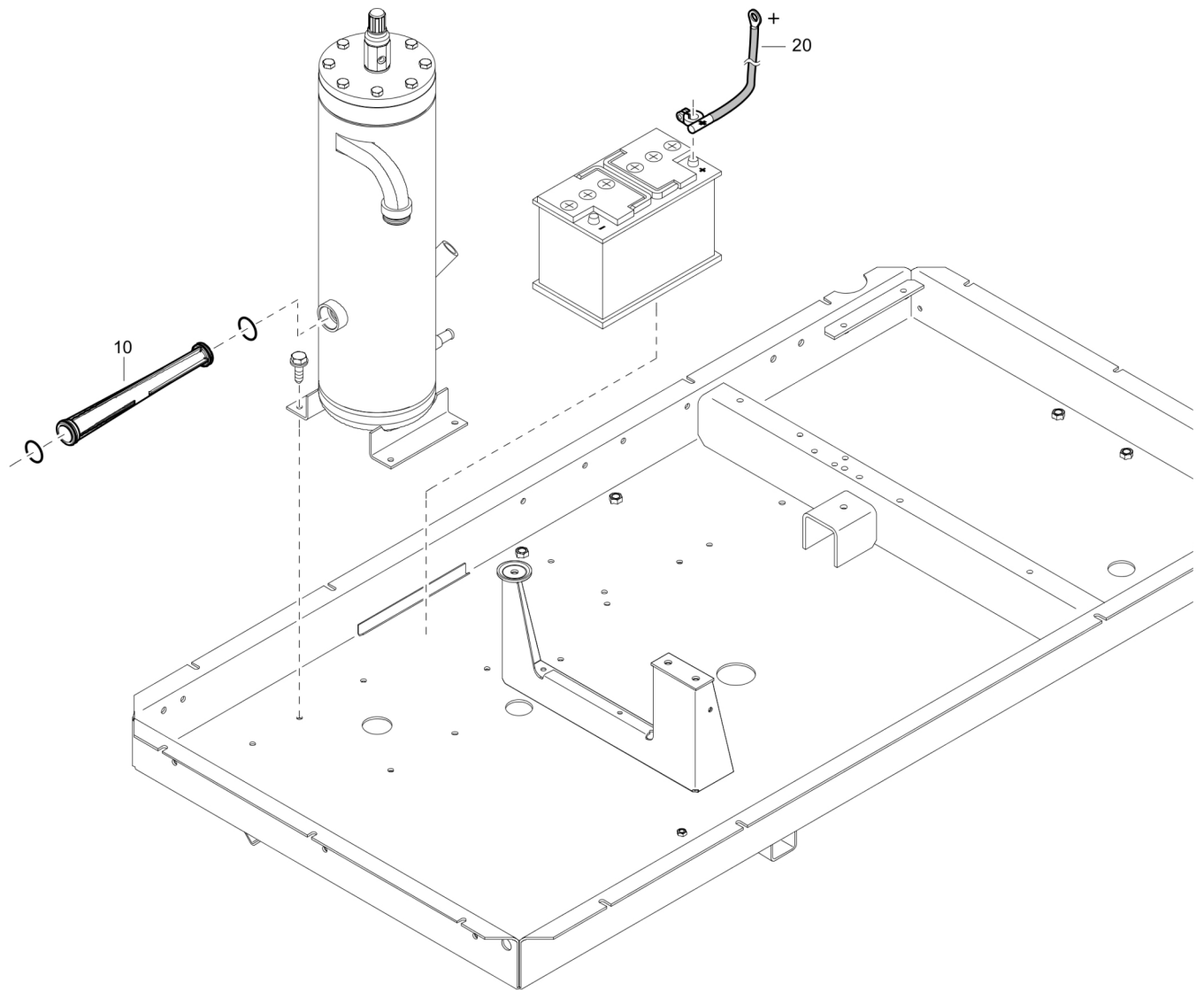


Id	Qty	Number	Name	Specifications
40		0072840316	TUBE	
41	2	0347620053	CLAMP HOSE	
50	1	1615776703	FILTER HOUSING	
51	1	1604596600	PLATE	
52	1	0147132603	HEX. HEAD SCREW M8 X 30	
53	1	0301233500	PLAIN WASHER(A) 8.4 X 16 X 1.6	
54	1	0266211000	NUT	
55	1	9000024400	HOSE NIPPLE	
60	1	0661100027	WASHER-SEAL:M 21.5IDX28.5OD	
95	1	0581202536	NIPPLE	
96	1	0653106200	GASKET 13 X 20 X 1.5	
98	1	1079584001	NIPPLE	
100	1	0575046134	HOSE ASSEMBLY	
105	1	0653104300	GASKET	
110	1	0581000052	STRAIGHT PIPE COUPLING	
150	1	1619377001	NIPPLE	
180	1	1604403501	CONNECTOR	
185	2	0211124903	HEX SOCK. SCREW	
190	2	0301232100	WASHER M6	
195	1	1604332100	O-ring	
200	2	1202866302	HOSE CLIP	
205		0075402539	HOSE	
210	1	1604403501	CONNECTOR	
215	2	0211124903	HEX SOCK. SCREW	
220	2	0301232100	WASHER M6	
225	1	1604332100	O-ring	
230	2	1202866302	HOSE CLIP	
235		0075402539	HOSE	

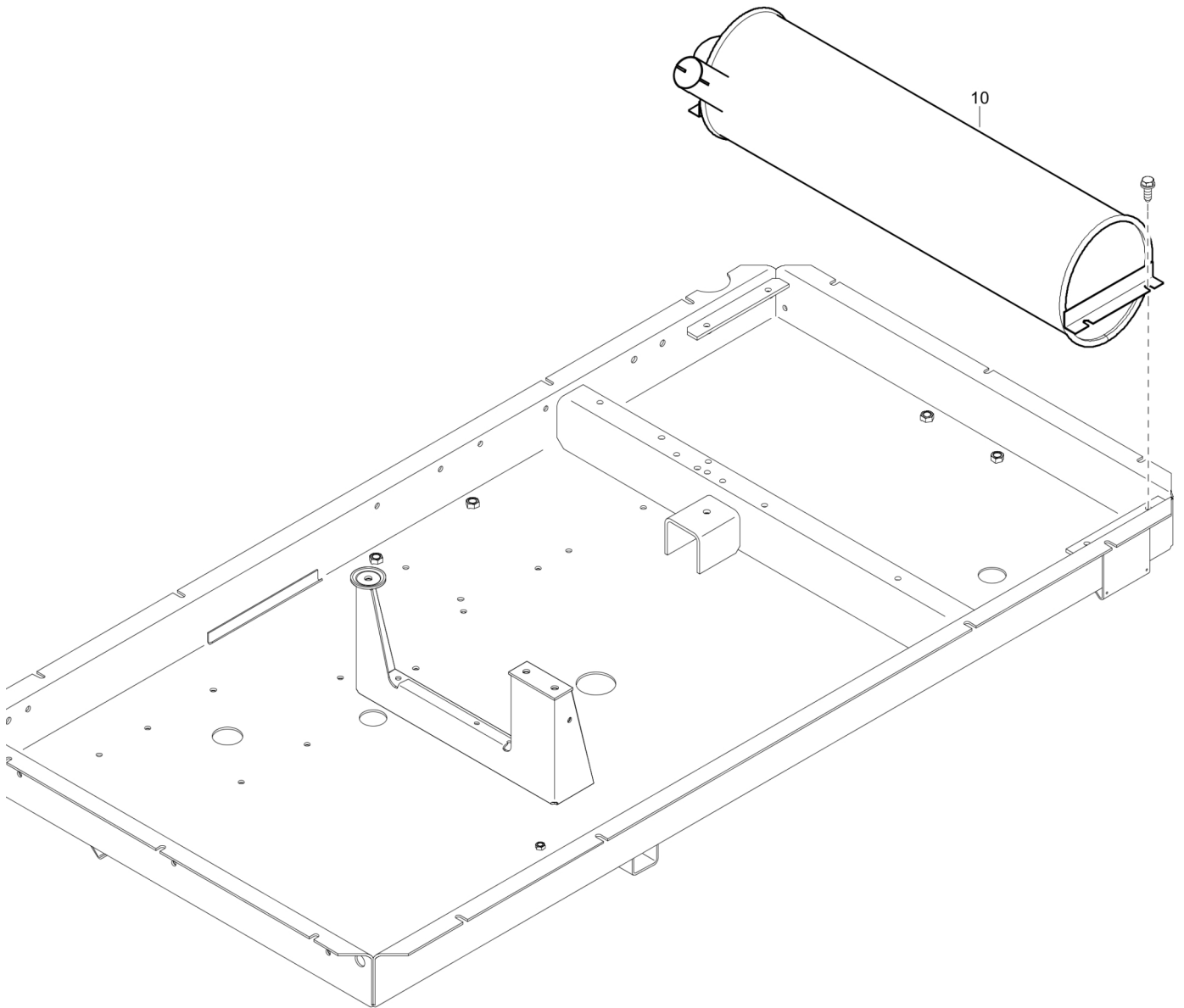
Not Illustrated			
Ref	Part Number	Designation	Qty
A10	1604381301	ENGINE F3M 2011 -COMII	1
A20	1092374500	SSR RELAY	1



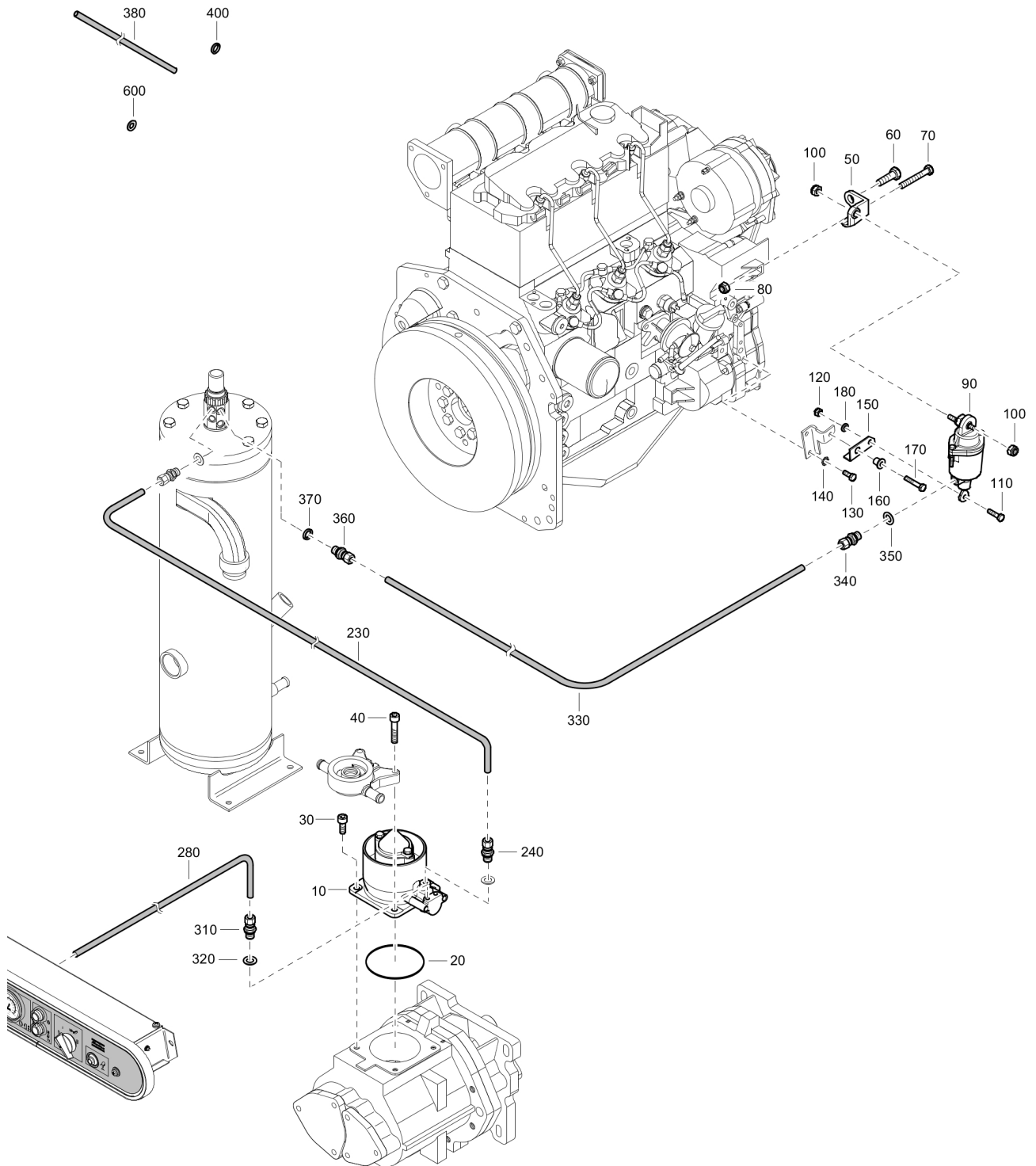
Id	Qty	Number	Name	Specifications
10	1	1092374980	ENGINE F3M 2011 -COMII	
A10	1	1626104601	ENGINE BF4M2011	
A20	1	1092374500	SSR RELAY	
16	2	0211124603	HEX. SOCK. SCREW	
17	2	0301232100	WASHER M6	



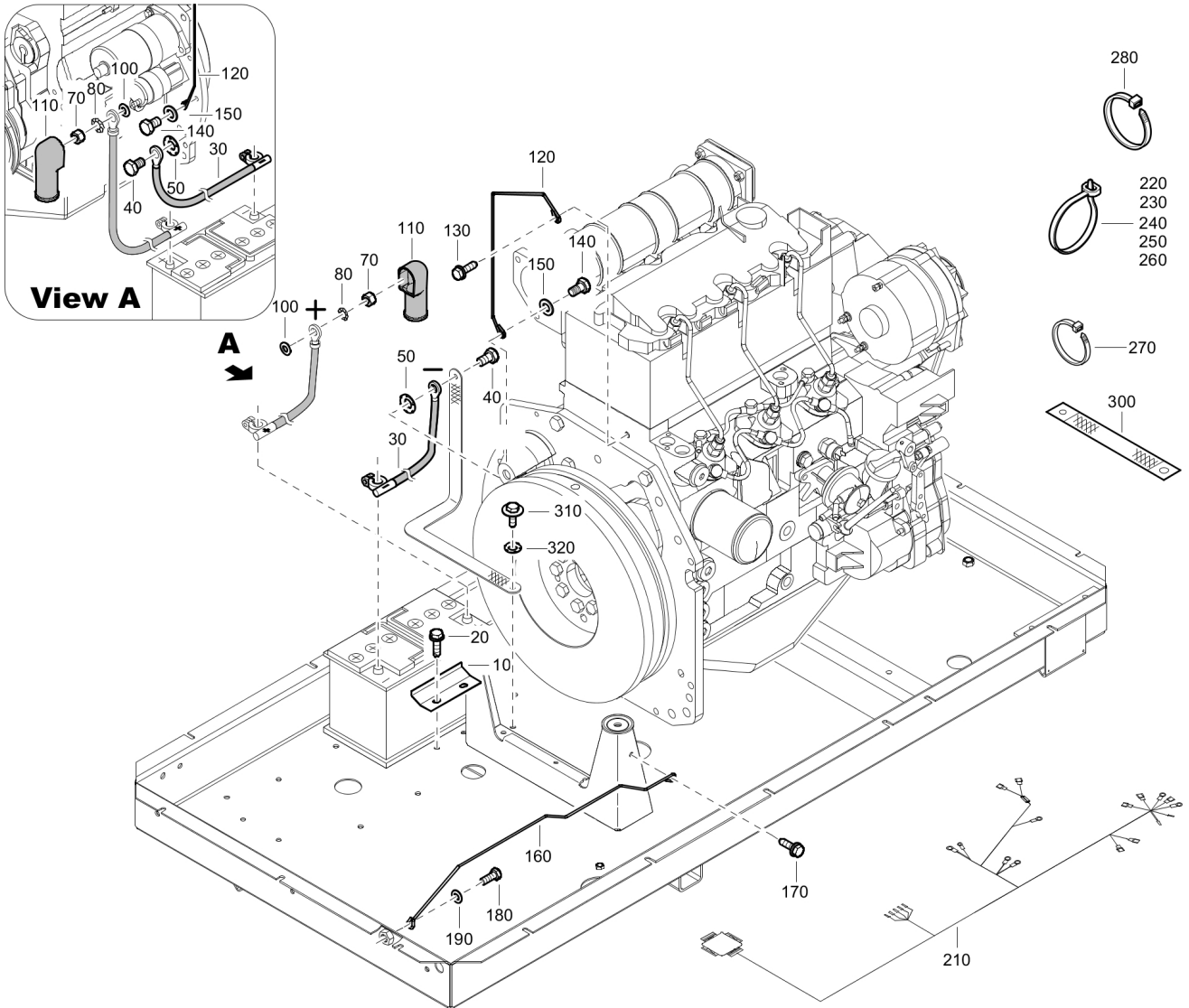
Id	Qty	Number	Name	Specifications
10	1	1604403000	RESTRICTOR	
20	1	1092042305	BATTERY CABLE	



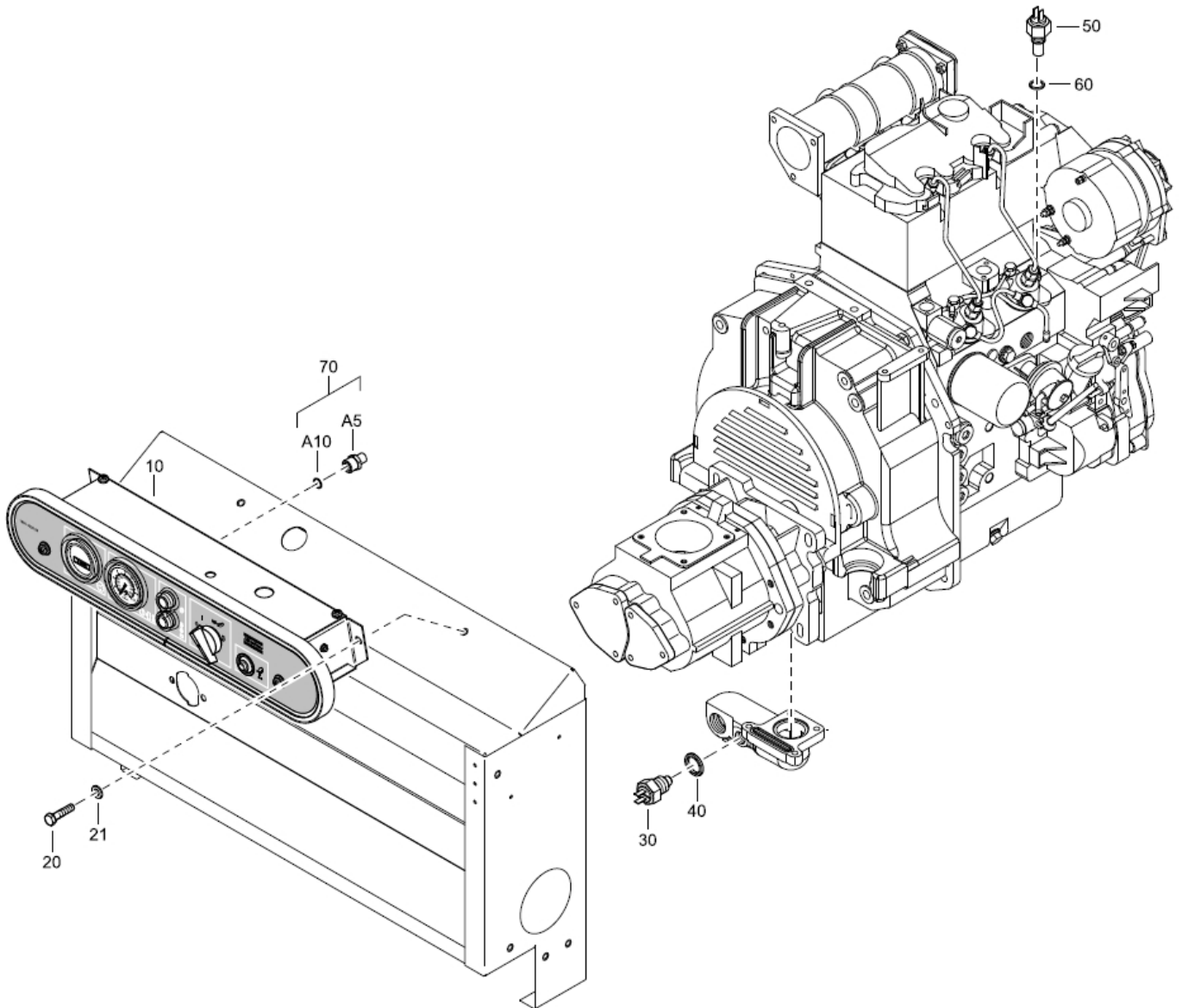
Id	Qty	Number	Name	Specifications



Id	Qty	Number	Name	Specifications
10	1	1615766786	VALVE:UNLOADER C-111	
20	1	0663210616	O-RING	
30	2	0211132303	SCREW	
40	2	0211132803	SCREW HEXAGON	
50	1	1615838101	BRACKET	
60	1	0147136315	SCREW	
70	1	0147133103	HEX. HEAD SCREW	
80	1	0291111000	LOCK NUT M8	
90	1	1615767683	ACTUATOR	Version: 3
100	2	0291111000	LOCK NUT M8	
110	1	0147124703	HEX. HEAD SCREW M6 X 20	
120	2	0291110800	LOCK NUT	
130	2	0147125003	HEX. BOLT M6X30X8.8	
140	2	0333322000	LOCK WASHER	
150	1	1615911303	BRACKET	
160	1	1626407201	BUSHING	
170	1	0147125003	HEX. BOLT M6X30X8.8	
180	2	0301232100	WASHER M6	
230		0070600205	TUBE ID5.5 OD8 BLACK	
240	1	0582120006	STRAIGHT PIPE COUPLING	
280	6	0070600204	TUBE:M 6.0ODX 4.0ID, BLACK	
310	1	0582120005	FLAT GASKET	
320	1	0653104300	GASKET	
330	14	0070600204	TUBE:M 6.0ODX 4.0ID, BLACK	
340	1	0582120005	FLAT GASKET	
350	1	0653104300	GASKET	
360	1	0582120005	FLAT GASKET	
370	1	0653104300	GASKET	
380	8	0070600204	TUBE:M 6.0ODX 4.0ID, BLACK	
400	1	0653104300	GASKET	
600	1	0301233500	PLAIN WASHER(A) 8.4 X 16 X 1.6	



Id	Qty	Number	Name	Specifications
10	1	1202901100	CLAMP	
20	2	1619533701	SCR.BOLT M8X30 MD50/600A	
30	1	1615772601	Battery cable	
40	1	0147135903	HEX. HEAD SCREW M10 X 16	
50	1	1088001902	CONTACT WASHER SPEC MD	
70	1	0266211000	NUT	
80	1	0333322700	ARRUELA DENT.8,4	
100	1	1088001902	CONTACT WASHER SPEC MD	
110	1	1619372900	PROTECT. CAP	
120	1	1604531600	GUIDE	
130	1	1615566400	HEX. HEAD SCREW	
140	1	0147135903	HEX. HEAD SCREW M10 X 16	
150	1	0301234400	PLAIN WASHER M10	
160	1	1604405801	GUIDE	
170	1	1615566400	HEX. HEAD SCREW	
180	1	0147132303	HEX. HEAD SCREW M8 X 20	
190	1	0301233500	PLAIN WASHER(A) 8.4 X 16 X 1.6	
210	1	1092319900	WIRE HARNESS	
220	4	1088130102	CABLE TIE L140	
230	4	1088130102	CABLE TIE L140	
240	3	1088130102	CABLE TIE L140	
250	3	1088130102	CABLE TIE L140	
260	2	1088130102	CABLE TIE L140	
270	2	1088130104	CABLE STRIP	
280	4	1088130105	CABLE TIE:	
300	1	1092039417	Earthing strap	
310	1	1615566400	HEX. HEAD SCREW	
320	1	1088001902	CONTACT WASHER SPEC MD	



Id	Qty	Number	Name	Specifications
10	1	1625002138	CONTROL BOX	Version: 1
20	2	0147132603	HEX. HEAD SCREW M8 X 30	
21	2	0301233500	PLAIN WASHER(A) 8.4 X 16 X 1.6	
30	1	1089063725	SWITCH TEMP.	
40	1	0661103300	SEAL WASHER 21.5 X 28 X 2.5	
50	1	1089063712	TEMPERATURE SWITCH	
60	2	0653107000	GASKET 14 X 18 X 1.5	
70	1	1625002449	LOOSE PARTS OF CONTROL BOX	
A5	1	2200750570	Coupling	
A10	1	0663903100	O-ring	

Part no	Part no	Part no	Part no	Part no	Part no
	2911005100		ENGINE OIL - PAROIL		ENGINE OIL - PAROIL
	2911005100		2911005100		9829309000_Kitsandc
	2911005100		2911005100		2911005100
	2911005100		2911005100		2911005100
	1092061172		1625002224		ENGINE COOLANT - F
	PARTSFROMSERVICI		PARTSFROMSERVICI		XAS97_WUX_Kits_Mu
	XAS97_WUX_Kits_Mu		1625002223		PARTSFROMSERVICI
	1611710214		1636310508		PARTSFROMSERVICI
	COMPRESSOR OIL - I		ENGINE COOLANT - F		COMPRESSOR OIL - I
0070600204	1625012267	0070600204	1625012267	0070600204	2911005100
0070600205	1625012267	0072840316	1611728214	0075402539	1625012267
0075402539	1611728214	0102046000	1611719029	0108139200	1611728214
0108341700	1611719029	0129310100	1092061298	0129310300	1611719029
0129310700	1625002223	0129310700	1625002224	0129310800	1092061298
0129317401	1092061298	0129317401	1092061298	0147124703	1092061298
0147124903	1092069093	0147124903	1611740029	0147125003	1625012267
0147125003	1625012267	0147132203	1611737214	0147132203	1625012267
0147132303	1611749214	0147132303	1611740029	0147132503	1611707714
0147132603	1625002233	0147132603	1611728214	0147132803	1092069093
0147133103	1625012267	0147133103	1611704214	0147133803	1611740029
0147135903	1611749214	0147135903	1611749214	0147136003	1611704214
0147136003	1092061423	0147136315	1625012267	0147137903	1092061423
0147138203	1611719029	0147140203	1092061423	0147140303	1092061423
0147142203	1611719029	0147145703	1611719029	0147196271	1092061365
0211124603	1092061370	0211124903	1611728214	0211124903	1611719029
0211132300	1611737214	0211132303	1625012267	0211132503	1611728214
0211132803	1625012267	0211196298	1611719029	0211196301	1611719029
0211196403	1611737214	0211196415	1611737214	0246195655	1092069093
0266211000	1611749214	0266211000	1611728214	0266211000	1092061423
0266211000	1611740029	0266211000	1611737214	0266211000	1611704214
0291110800	1611740029	0291110800	1092061298	0291110800	1611707714
0291111000	1625012267	0291111000	1625012267	0291111000	1625012267
0291111100	1092061423	0291111100	1092061423	0291111100	1092069093
0291118504	1611707714	0300027492	1611719029	0300027621	1092061423
0300801900	1092069093	0300801900	1092069093	0301232100	1611704214
0301232100	1611740029	0301232100	1611728214	0301232100	1092061370
0301232100	1611728214	0301233500	1611728214	0301233500	1625012267
0301233500	1092069093	0301233500	1625002233	0301233500	1625012267
0301233500	1611749214	0301233500	1611707714	0301233500	1611740029
0301234400	1611737214	0301234400	1092061423	0301234400	1092061298
0301235800	1092061423	0333322000	1625012267	0333322700	1611749214
0333322700	1611740029	0333322700	1611737214	0333322700	1611719029
0333322700	1611707714	0333322700	1611704214	0333520013	1611749214
0333520013	1092061423	0337519600	1611719029	0346300108	1092061423
0347611500	1611740029	0347611500	1611740029	0347611600	1611707714
0347620053	1611728214	0560020023	1092061366	0575046134	1611740029
0581000052	1611728214	0581202536	1611728214	0582120005	1611728214
0582120005	1625012267	0582120005	1625012267	0582120006	1625012267
0623210603	1625002149	0623210603	1092061365	0653104300	1625012267
0653104300	1611728214	0653104300	1625012267	0653104300	1625012267
0653104300	1625012267	0653104600	1611740029	0653106200	1625012267
0653107000	1625002233	0653111500	2912439306	0653111500	1611728214
0653112400	1092061366	0661100025	1611737214	0661100027	1611737214
0661100029	1092061423	0661100029	1092061365	0661100040	1611728214
0661100045	1611737214	0661101400	1611740029	0661102600	2912439306
0661102600	1092061365	0661103300	1625002233	0661103800	1625002149
0661104900	1625002149	0663210616	1625012267	0663313000	1092061362
0663313100	1611737214	0663713700	1611737214	0663714100	1611737214
0663715100	1625002149	0663715100	1092061365	0663903100	1611737214
0686371601	1611737214	0686420300	1625002149	0686420300	1625002233
0686423018	1611737214	0686925286	1092061298	0830100518	1092061365

Part no	Part no	Part no	Part no	Part no	Part no
1079584001	1611728214	1079990229	1625002224	1079990229	1625002223
1079990258	1625002223	1079990258	1625002224	1079991983	1625002224
1079991983	1625002223	1079992207	1625002223	1079992207	1625002224
1079992368	1625002223	1079992368	1625002224	1079992490	1625002224
1079992490	1625002223	1088001902	1611749214	1088001902	1611749214
1088001902	1611749214	1088080142	1092061298	1088130102	1611749214
1088130102	1611749214	1088130102	1611749214	1088130102	1611749214
1088130102	1611749214	1088130103	1611704214	1088130104	1611749214
1088130105	1611749214	1089063712	1625002233	1089063725	1625002233
1092031580	1092061365	1092032357	1092061423	1092038257	1611704214
1092038365	1625002224	1092038365	1625002223	1092039417	1611749214
1092039463	1611740029	1092042305	1611837114	1092042400	1625002224
1092042474	1092061298	1092050403	1092069093	1092061248	1092061298
1092061365	1092061113	1092061427	1092061298	1092061494	1092061298
1092062800	1625002223	1092065601	1092061365	1092065601	1625002149
1092319900	1611749214	1092360880	1092069093	1092374500	1092061370
1092374980	1092061370	1092648600	1092061362	1092648600	1092061113
1092848300	1611704214	1092848300	1611704214	1092848300	1611704214
1092848300	1611704214	1092848300	1611704214	1092868800	1611704214
1092868800	1611704214	1092868800	1611704214	1092868800	1611704214
1092868800	1611704214	1094102680	1092061298	1094102780	1092061298
1094154000	1611737214	1094156800	1611737214	1094323800	1092061298
1094342100	1625002224	1094342100	1625002223	1094342200	1625002223
1094342200	1625002224	1094364300	1611719029	1094820600	1092061423
1094820600	1092061423	1094838800	1092061366	1202866302	1611728214
1202866302	1611728214	1202900602	1092061423	1202900603	1092061423
1202901100	1611749214	1202991000	1611740029	1604074500	1611719029
1604076100	1611719029	1604332100	1611728214	1604332100	1611728214
1604342300	1092069093	1604342300	1092061298	1604384601	1092061298
1604385800	1092061298	1604390600	1092061423	1604396485	1611704214
1604399100	1092061423	1604403000	1611837114	1604403501	1611728214
1604403501	1611728214	1604405304	1611707714	1604405402	1611707714
1604405600	1092061298	1604405700	1092061298	1604405801	1611749214
1604406200	1092061298	1604409931	1092061423	1604422001	1092061423
1604422001	1092061423	1604530600	ENGINE COOLANT - F	1604530600	9829309000_Kitsandc
1604530701	ENGINE COOLANT - F	1604530701	9829309000_Kitsandc	1604531600	1611749214
1604541903	1092061423	1604577781	1611737214	1604578000	1092069093
1604579200	2912439306	1604580400	1611707714	1604585400	1092069093
1604596600	1611728214	1604610500	1611707714	1604618100	1092061298
1604673300	1092061298	1604815900	9829309000_Kitsandc	1604815900	ENGINE COOLANT - F
1605002500	1092061298	1605076700	1092061298	1607852263	2912439306
1612215200	1611740029	1613610590	XAS97_WUX_Kits_Mu	1613610590	2912439306
1613665001	1092061298	1613791201	1611740029	1613800400	2912439306
1615508000	1092061423	1615544100	1611719029	1615566400	1611749214
1615566400	1611707714	1615566400	1611707714	1615566400	1611749214
1615566400	1092061423	1615566400	1092061423	1615566400	1092061298
1615566400	1092061298	1615566400	1092061298	1615566400	1092069093
1615566400	1611749214	1615594700	COMPRESSOR OIL - I	1615594700	9829309000_Kitsandc
1615594800	COMPRESSOR OIL - I	1615594800	9829309000_Kitsandc	1615594900	9829309000_Kitsandc
1615594900	COMPRESSOR OIL - I	1615595300	9829309000_Kitsandc	1615595300	ENGINE OIL - PAROIL
1615595400	ENGINE OIL - PAROIL	1615595400	9829309000_Kitsandc	1615595500	9829309000_Kitsandc
1615595500	ENGINE OIL - PAROIL	1615766480	1092061365	1615766480	1625002149
1615766500	1092061365	1615766786	1625012267	1615767683	1625012267
1615769702	1092061365	1615769702	1625002149	1615770400	1611740029
1615770600	1611740029	1615772601	1611749214	1615774902	1092069093
1615776703	1611728214	1615830900	1092061423	1615838101	1625012267
1615881880	1611704214	1615911200	1611707714	1615911303	1625012267
1615938801	1611740029	1615939600	1611740029	1615939801	1611719029
1615943300	1092069093	1615943681	1625002149	1615943681	1092061365
1615943700	1625002149	1615943700	1092061365	1615943800	1611740029
1615943900	1611740029	1615944100	1611740029	1616461300	1611704214
1619276600	1092069093	1619276600	1092069093	1619276600	1092061423

Part no	Part no	Part no	Part no	Part no	Part no
1619372900	1611749214	1619377001	1611728214	1619533701	1611749214
1619589801	1092061298	1625001006	9829309000_Kitsandc	1625001007	9829309000_Kitsandc
1625001008	9829309000_Kitsandc	1625001574	1625002149	1625002138	1625002233
1625002149	1092061362	1625002449	1625002233	1625004707	1092069093
1626104601	1092061370	1626406800	1611704214	1626407201	1625012267
1626412100	1092061298	1626488700	1611707714	1626811300	1092061423
1626857390	1611737214	1630009600	ENGINE OIL - PAROIL	1630009600	9829309000_Kitsandc
1630013500	ENGINE OIL - PAROIL	1630013500	9829309000_Kitsandc	1630013600	ENGINE OIL - PAROIL
1630013600	9829309000_Kitsandc	1630016000	COMPRESSOR OIL - I	1630016000	9829309000_Kitsandc
1630016100	9829309000_Kitsandc	1630016100	COMPRESSOR OIL - I	1630016200	9829309000_Kitsandc
1630016200	COMPRESSOR OIL - I	1630016300	9829309000_Kitsandc	1630016300	COMPRESSOR OIL - I
1636310507	XAS97_WUX_Kits_Mu	1636310508	XAS97_WUX_Kits_Mu	1636310509	XAS97_WUX_Kits_Mu
1636310512	XAS97_WUX_Kits_Mu	1636310513	XAS97_WUX_Kits_Mu	1636310514	XAS97_WUX_Kits_Mu
1636310545	XAS97_WUX_Kits_Mu	1636310546	XAS97_WUX_Kits_Mu	1636310550	XAS97_WUX_Kits_Mu
1636310551	XAS97_WUX_Kits_Mu	2200750570	1625002233	2900068700	2912439306
2911005100	9829309000_Kitsandc	2911005200	9829309000_Kitsandc	2911006800	9829309000_Kitsandc
2912439306	9829309000_Kitsandc	2913105300	2912439306	2913122900	2912439306
2914502900	XAS97_WUX_Kits_Mu	2914805800	2912439306	2914805800	XAS97_WUX_Kits_Mu
2914809200	XAS97_WUX_Kits_Mu	9000024400	1611728214	PARTS FROM SERV	PARTSFROMSERVICI