

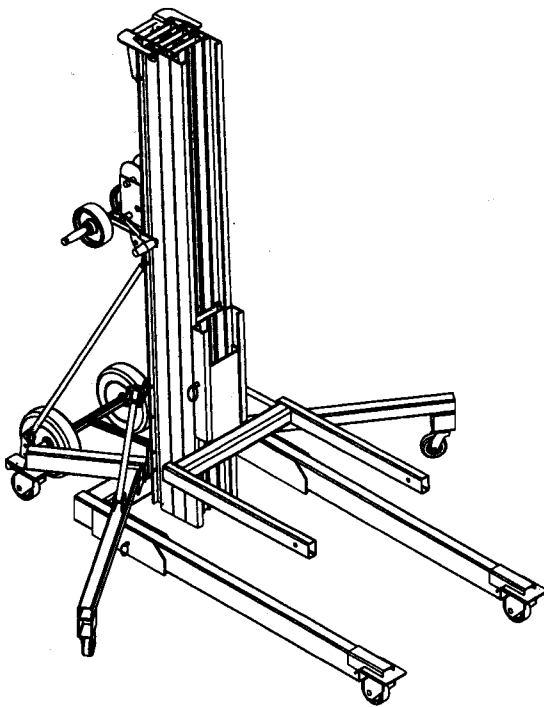
Genie Industries



2, 3, 4

Genie® Superlift

Operator's Manual



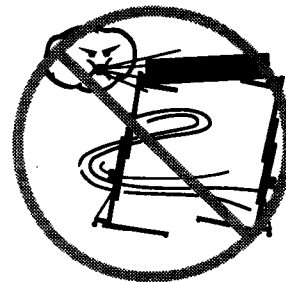
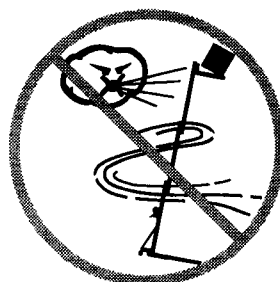
Second Edition, Second Printing
Part No. 33499



SAFETY RULES

Fall Hazards

- Do not use as a personnel lifting platform or step.
- Do not stand on load handling attachments.
- Do not climb on mast.



Tip-over Hazards

Do not raise the load unless the stabilizers (if equipped) and legs have been fully lowered and locked and the casters are in full contact with the ground.

Do not raise the load unless the leg retainer pins are properly inserted through the leg and the base.

Do not remove the leg retainer pins while the machine is loaded and/or raised.



Do not operate the machine in strong or gusty winds. Increasing the load surface area will decrease machine stability in windy conditions.

Do not leave a load raised when windy conditions may occur unless the machine(s) are properly guy-wired.

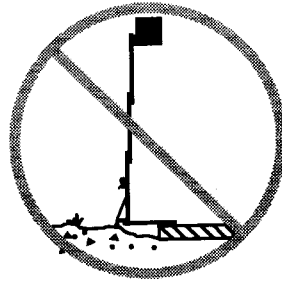


Do not place ladders or scaffolding against any part of the machine.

Do not exceed the rated load capacity.

Prior to use, check the work area for drop-offs, holes, bumps, debris,

unstable or slippery surfaces or other possible hazardous conditions.



Avoid debris and uneven surfaces while rolling a Genie Superlift with the legs folded up.

Do not replace machine parts critical to stability or structure with items of different weight or specification.

Do not raise the load unless the machine is on a firm, level surface.

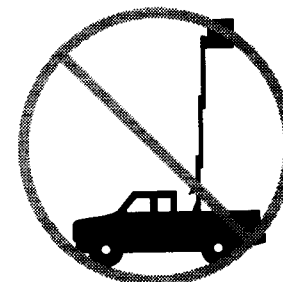
Do not raise the load unless the load handling attachment is properly secured to the machine.

Do not use blocks to level machine.

Do not move the machine with a raised load, except for minor positioning.



Do not cause a horizontal force or side load to the machine by raising or lowering a fixed or overhanging load.



Do not use the machine on a moving or mobile surface or vehicle.

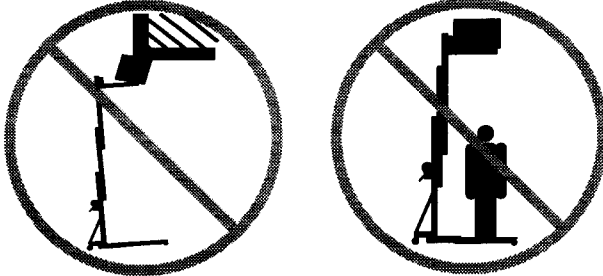
Do not use a straddle base, the flat forks, the vertical barrel stacker or the rotating barrel handler on a SL-20 or a SL-25.

SAFETY RULES

Collision Hazards

Do not raise if the load is not properly centered on the load handling attachment.

Check the work area for overhead obstructions or other possible hazards.



Do not stand under or allow personnel under the machine when the load is raised.

Do not stand under load. Safety brake system will allow the load to drop 1 to 2 feet before locking columns.

Do not lower the load unless the area below is clear of personnel and obstructions.

Do not tilt the machine back unless the area is clear of personnel and obstructions.

Use common sense and planning when transporting machine on an incline or slope.

Do not load for transport unless the machine and vehicle are on a level surface. Use proper lifting techniques to load the machine.

Lifting Hazards

Use proper lifting techniques to load or tip the machine.

Use proper lifting techniques when installing or removing the load handling attachments.

Electrocution Hazards



This machine is not electrically insulated and will not provide protection from contact with or proximity to electrical current.

Maintain safe distances away from electrical power lines and apparatus in accordance with applicable governmental regulations and the following chart.

Voltage	Minimum Safe Approach Distance	
	Feet	Meters
Phase to Phase		
0 to 300V	Avoid Contact	
300V to 50KV	10	3.1
50KV to 200KV	15	4.6
200KV to 350KV	20	6.1
350KV to 500KV	25	7.6
500KV to 750KV	35	10.7
750KV to 1000KV	45	13.7

Allow for mast movement and electrical line sway or sag, and be aware of strong or gusty winds.

Keep away from the machine if it contacts energized power lines. Personnel must not touch or operate machine until power lines are shut off.

Do not use the machine as a ground for welding.

Bodily Injury Hazard

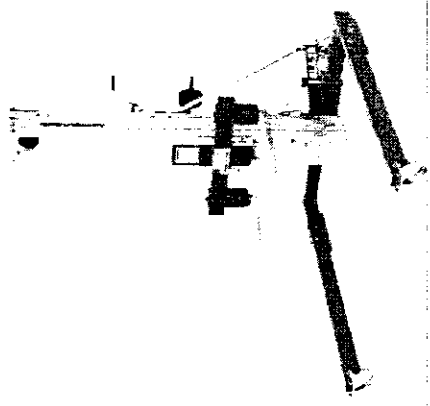
Do not grasp cable.

Manual No. 647.

SCARAB

Genie Lift SLA 20 and SLA 25

Plant No. 1142001, 1142002
1090001, 1090002.



Genie®

Operator's Manual

Second Edition
Seventh Printing
Part No. 33499

Superlift™ Advantage

Important

Read, understand and obey these safety rules and operating instructions before operating this machine.

Only trained and authorized personnel shall be permitted to operate this machine. This manual should be considered a permanent part of your machine and should remain with the machine at all times. If you have any questions, call Genie Industries.

Contents

	Page
Safety	1
Legend	6
Pre-operation Inspection	8
Function Tests	10
Workplace Inspection	15
Operating Instructions	16
Load Capacity Charts	18
Transport and Lifting Instructions	20
Decals	21
Specifications	24

Contact us:

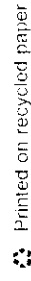
Internet: <http://www.genielift.com>
e-mail: techpub@genieind.com

Copyright © 1994 by Genie Industries

First Edition: Third Printing, June 1994

Second Edition: Seventh Printing, March 2006

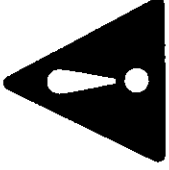
"Genie" and "Superlift" are registered trademarks of Genie Industries in the U.S.A. and many other countries.



Printed on recycled paper

Printed in U.S.A.

Safety Rules



Warning

Failure to obey the instructions and safety rules in this manual may result in death or serious injury.

Do Not Operate Unless:

- You learn and practice the principles of safe machine operation contained in this operator's manual.
 - 1 **Avoid hazardous situations.**
- Know and understand the safety rules before going on to the next section.**
 - 2 Always perform a pre-operation inspection.
 - 3 Always perform the function tests prior to use.
 - 4 Inspect the workplace.
 - 5 Only use the machine as it was intended.
- You read, understand and obey:
 - manufacturer's instructions and safety rules—operator's manual and machine decals
 - employer's safety rules and worksite regulations
 - applicable governmental regulations

SAFETY RULES

Fall Hazards

Do not use the machine as a personnel lifting platform or step.

Do not stand on the load handling attachments.

Do not climb on the mast.

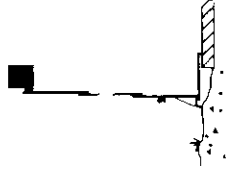
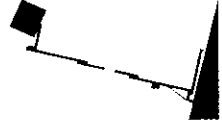
Tip-over Hazards

Do not raise the load unless the stabilizers (if equipped) and legs have been fully lowered and locked and the casters are in full contact with the ground.

Do not raise the load unless the leg retainer pins are properly inserted through the leg and the base.

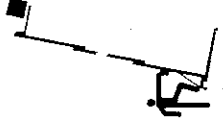
Do not remove the leg retainer pins while the machine is loaded and/or raised.

Do not raise the load unless the machine is on a firm, level surface.



Prior to use, check the work area for drop-offs, holes, bumps, debris, unstable or slippery surfaces or other possible hazardous conditions.

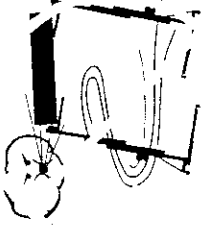
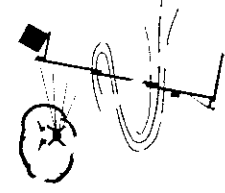
Do not raise the load unless the load handling attachment is properly secured to the machine.



Do not use blocks to level the machine.

Do not move the machine with a raised load, except for minor positioning.

Do not operate the machine in strong or gusty winds. Increasing the load surface area will decrease machine stability in windy conditions.



Do not leave a load raised when windy conditions may occur unless the machine(s) are properly guy-wired.

Do not cause a horizontal force or side load to the machine by raising or lowering a fixed or overhanging load.

Do not place ladders or scaffolding against any part of the machine.



Do not use the machine on a moving or mobile surface or vehicle.

Do not exceed the rated load capacity. See Load Capacity Charts section.

Avoid debris and uneven surfaces while rolling a Genie Superlift with the legs folded up.

Do not replace machine parts critical to stability or structure with items of different weight or specification.

Do not use a straddle base, the flat forks, the vertical barrel stacker or the rotating barrel handler on an SLA-20 or an SLA-25.

Lifting Hazards

Use proper lifting techniques to load or tip the machine.

Use proper lifting techniques when installing or removing the load handling attachments.

SAFETY RULES

Electrocution Hazards

This machine is not electrically insulated and will not provide protection from contact with or proximity to electrical current.



Keep away from the machine if it contacts energized power lines. Personnel must not touch or operate the machine until power lines are shut off.

Maintain safe distances away from electrical power lines and apparatus in accordance with applicable governmental regulations and the following chart.

Voltage	Minimum Safe Approach Distance	
	Feet	Meters
Phase to Phase	Avoid Contact	
0 to 300V	10	3.1
300V to 50KV	15	4.6
50KV to 200KV	20	6.1
200KV to 350KV	25	7.6
350KV to 500KV	35	10.7
500KV to 750KV	45	13.7
750KV to 1000KV		

Allow for mast movement and electrical line sway or sag, and be aware of strong or gusty winds.

Do not use the machine as a ground for welding.

Bodily Injury Hazard

Do not grasp the cable.

SAFETY RULES

Crushing Hazards

Do not raise if the load is not properly centered on the load handling attachment.

Do not raise unless the load is properly secured to the load handling attachment.

Do not stand under or allow personnel under the machine when the load is raised.

Do not stand under the load. The safety brake system (if equipped) will allow the load to drop 1 to 3 feet before locking the columns.



Do not lower the load unless the area below is clear of personnel and obstructions.

Keep hands and fingers away from folding legs and other potential pinch points.

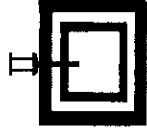
Maintain a firm grasp on the stabilizer when the lock plates are released. The stabilizer will drop.

Maintain a firm grasp on the leg when the retaining pin is removed. The leg will drop.

Maintain a firm grasp on the winch handles until the brake is locked. The brake is locked when the load will not cause the winch handles to turn.

Adjustable Flat Forks

Do not raise the load unless the snap pins are properly inserted in the forks.



Vertical Barrel Stacker

Do not raise the load unless the lifting arms are in the correct position for the barrel size.

Do not raise the load unless the lifting arms are correctly positioned between the ribs on the barrel.

Rotating Barrel Handler

Keep hands clear of the rotating gears.

Use proper lifting techniques to lift the barrel handler.

Fork Extensions

Do not raise the load unless the fork extensions are properly secured to the forks.

Collision Hazards

Check the work area for overhead obstructions or other possible hazards.

Do not tilt the machine back unless the area is clear of personnel and obstructions.

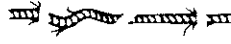
Use common sense and

planning when transporting the machine on an incline or slope.



Do not load for transport unless the machine and vehicle are on a level surface. Use proper lifting techniques to load the machine.

SAFETY RULES

Damaged Machine Hazards

Do not use a damaged or malfunctioning machine.

Do not use a machine with a worn, frayed, kinked or damaged cable.

Do not use a machine with less than 4 wraps of cable on the winch drum when the carriage is fully lowered.

Conduct a thorough pre-operation inspection prior to each use.

**Decal Legend**

Genie product decals use symbols, color coding and signal words to identify the following:



Safety alert symbol—used to alert personnel to potential personal injury hazards. Obey all safety messages that follow this symbol to avoid possible injury or death.



Red—used to indicate the presence of an imminently hazardous situation which, if not avoided, will result in death or serious injury.

Be sure all decals are in place and legible. See Decals section.

Be sure that the operator's manual is complete, legible and in the storage container located on the machine.

Maintain proper lubrication on the winch. See *Genie Superlift Parts and Service Manual* for details. Do not allow oil or grease on braking surfaces.

Do not use any type of lubrication on the column surfaces.

Improper Use Hazard

Never leave a Genie Superlift unattended with a load. Unauthorized personnel may attempt to operate the machine without proper instruction, creating an unsafe condition.

AWARNING

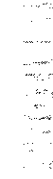
Orange—used to indicate the presence of a potentially hazardous situation which, if not avoided, could result in death or serious injury.

A CAUTION

Yellow with safety alert symbol—used to indicate the presence of a potentially hazardous situation which, if not avoided, may cause minor or moderate injury.

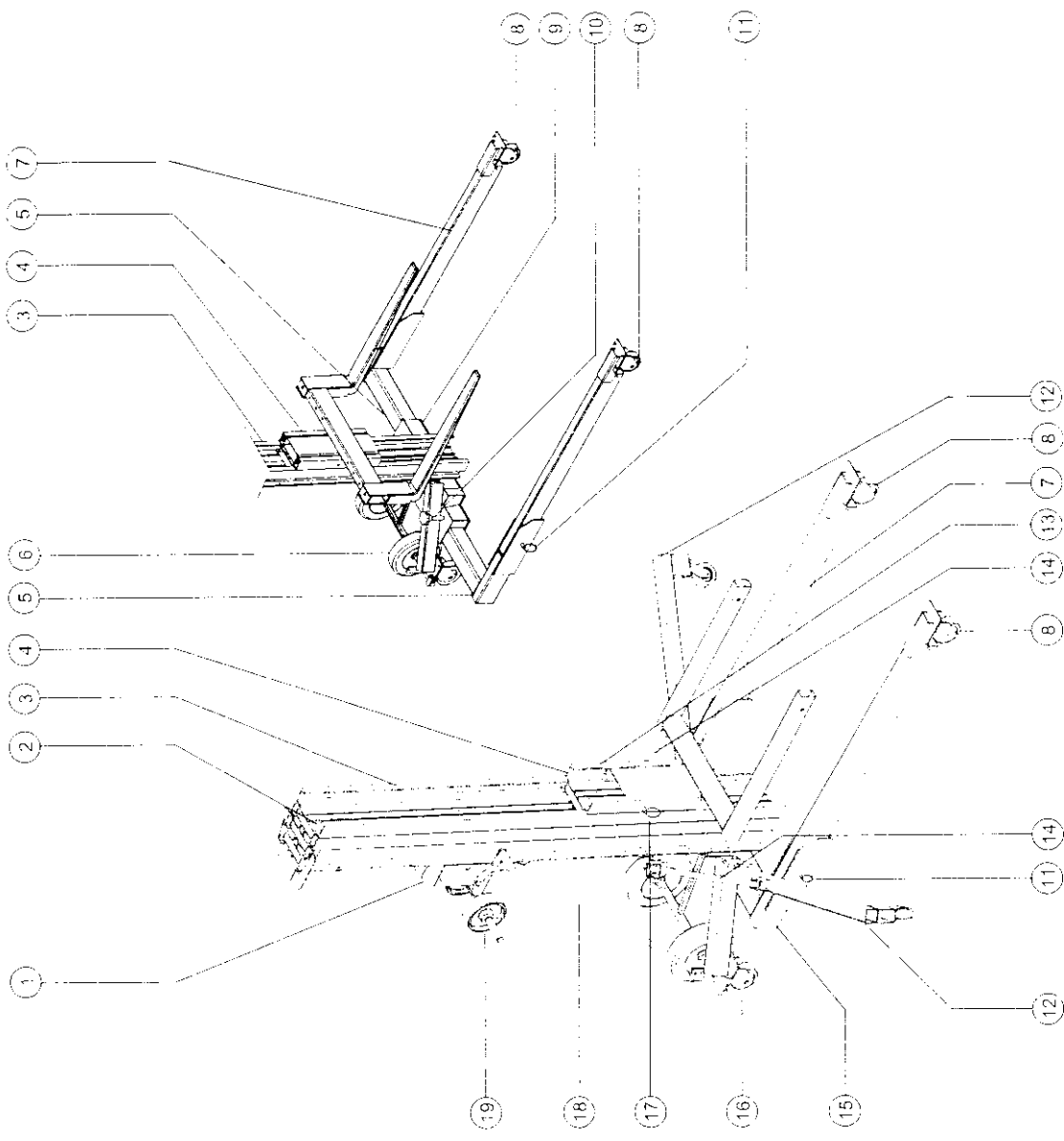
CAUTION

Yellow without safety alert symbol—used to indicate the presence of a potentially hazardous situation which, if not avoided, may result in property damage.



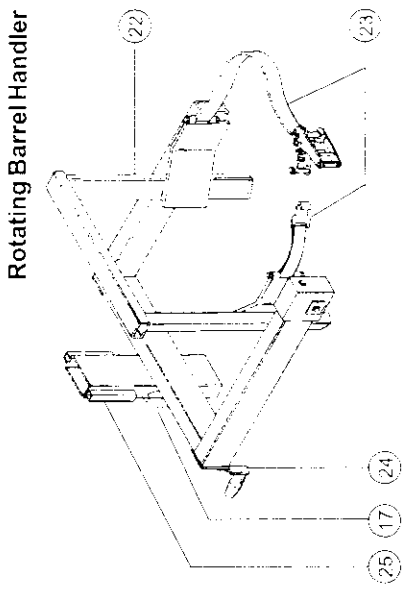
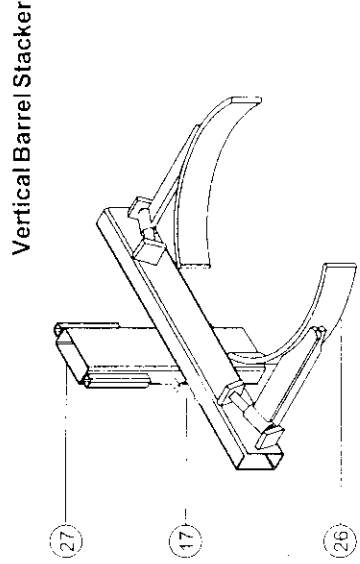
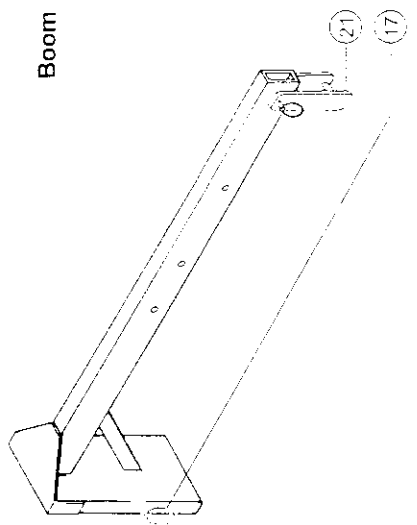
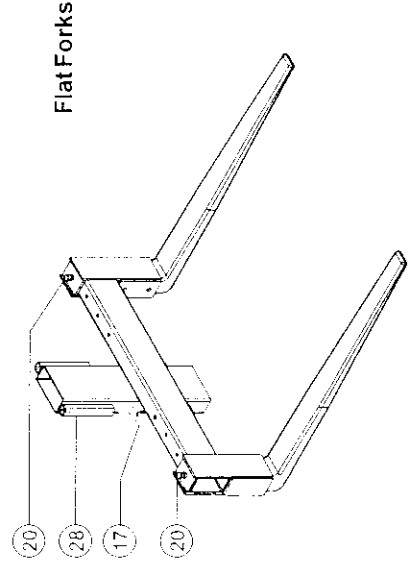
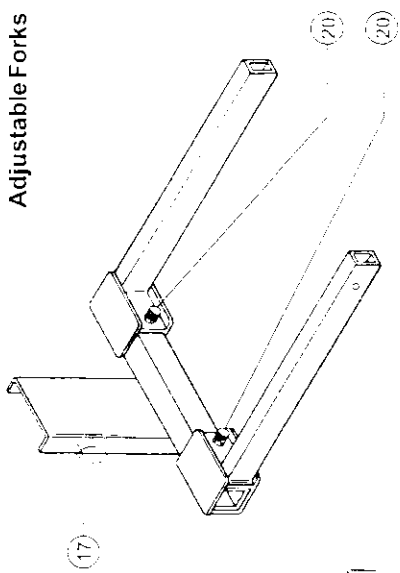
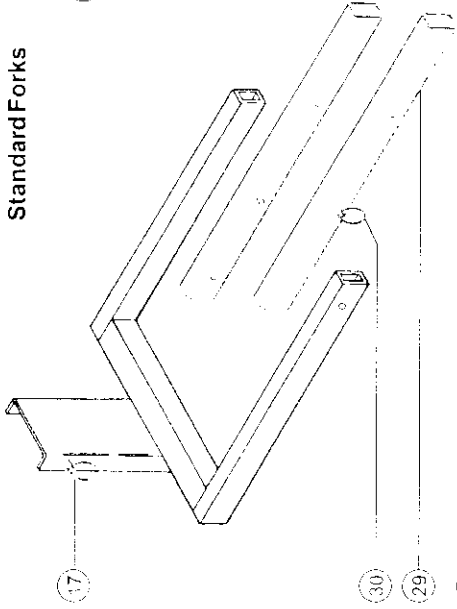
Green—used to indicate operation or maintenance information.

Legend



- | | | | |
|----|---|----|--|
| 1 | Winch | 15 | Standard base |
| 2 | Cable | 16 | Base swivel/lock caster with brake |
| 3 | Mast | 17 | Load handling attachment retaining pin |
| 4 | Carriage | 18 | Mast brace |
| 5 | Adjustable arm | 19 | Loading wheels/steer handles |
| 6 | Traveling wheels (optional) | | |
| 7 | Leg | | |
| 8 | Leg swivel caster | | |
| 9 | Straddle base | | |
| 10 | Arm lock knob | | |
| 11 | Leg retaining pin | | |
| 12 | Stabilizer (if equipped) | | |
| 13 | Hold-down bar (on opposite side of machine) | | |
| 14 | Stabilizer brace | | |

LEGEND



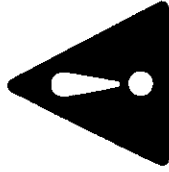
- 20 Snap pin
- 21 Lifting shackle
- 22 Barrel cradle
- 23 Strap and buckle

- 24 Crank handle
- 25 Rotating barrel handler mounting bracket

- 26 Lifting arms
- 27 Vertical barrel stacker mounting bracket

- 28 Fork mounting bracket
- 29 Fork extension
- 30 Fork extension retaining pin

Workplace Inspection



Be aware of and avoid the following hazardous situations:

- Drop-offs or holes
- Bumps and floor obstructions
- Debris
- Overhead obstructions and high voltage conductors
- Hazardous locations
- Inadequate surface support to withstand all load forces imposed by the machine
- Wind and weather conditions
- All other possible unsafe conditions

Do Not Operate Unless:

You learn and practice the principles of safe machine operation contained in this operator's manual.

- 1 Avoid hazardous situations.
- 2 Always perform a pre-operation inspection.
- 3 Always perform function tests prior to use.

4 Inspect the workplace.

Know and understand the workplace inspection before going on to the next section.

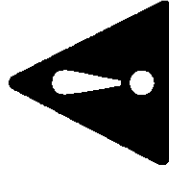
- 5 Only use the machine as it was intended.

Fundamentals

The Workplace Inspection helps the operator determine if the workplace is suitable for safe machine operation. It should be performed by the operator prior to moving the machine to the workplace.

It is the operator's responsibility to read and remember the workplace hazards, then watch for and avoid them while moving, setting up and operating the machine.

Operating Instructions



Do Not Operate Unless:

- You learn and practice the principles of safe machine operation contained in this operator's manual.
- 1 Avoid hazardous situations.
- 2 Always perform a pre-operation inspection.
- 3 Always perform function tests prior to use.
- 4 Inspect the workplace.
- 5 **Only use the machine as it was intended.**

Fundamentals

Using the machine for anything other than lifting material is unsafe.

If more than one operator is expected to use a machine at different times in the same work shift, each operator is expected to follow all safety rules and instructions in the operator's manual. That means every new operator should perform a pre-operation inspection, function tests and a workplace inspection before using the machine.

* Ensure the Safety Lever is off before operation *

OPERATING INSTRUCTIONS

Setup

Select an area that is firm, level and free of obstructions.

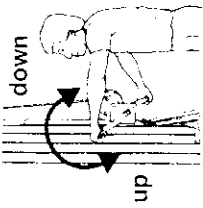
Follow the Setup procedures in the Functions Test section.

Moving Machine with a Load

It is best to move the machine on the worksite with no load. Moving a raised load should be restricted to positioning for loading and unloading. If it is necessary to move the machine with a raised load, understand and obey the following safety rules:

Raising and Lowering Load

- 1 Center the load on the load handling attachment. See Load Capacity Charts section.
- 2 Secure the load to the load handling attachment.
- 3 Raise the load by firmly grasping the winch handles and rotating them toward the mast. Do not allow the cable to wind unevenly onto the drum.
- 4 Lower the load by firmly grasping the winch handles and rotating them away from the mast. After lowering to the desired position, turn the winch handles toward the mast (raise the load) 1/4 turn to set the brakes



- Make sure the area is level and clear of obstructions
- Make sure the load is centered on the load handling attachment
- Make sure the load is secured to the load handling attachment
- Avoid sudden starts and stops
- Travel with the load in the lowest possible position
- Keep personnel away from the machine and load

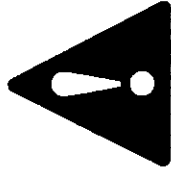
After Each Use

To prepare the Genie Superlift for storage, follow the Setup procedure in reverse order.

Select a safe storage location - firm level surface, weather protected, clear of obstruction and traffic.

* After use remove safety lever is ON. *

Load Capacity Charts



Observe and Obey:

- Failure to properly position the load may result in death or serious injury.
- Verify that the load you wish to raise does not exceed the maximum load for your load center. See the Load Capacity Chart on the next page.

▲WARNING

Tip-over hazard. Raising a load that exceeds the machine capacity may result in death or serious injury.

- A load center is defined as the balancing point (center of gravity) of a load and must be positioned within the load center zone.

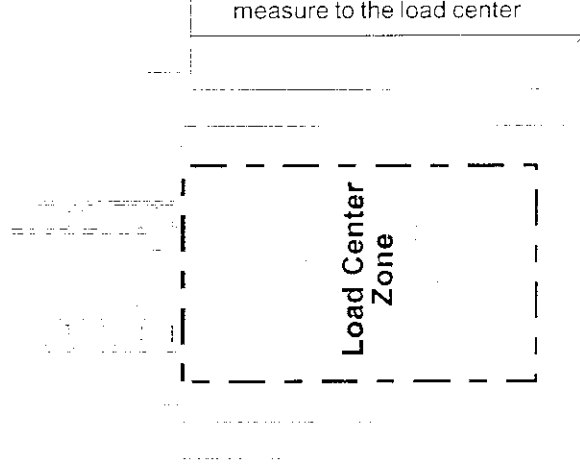
▲WARNING

Tip-over hazard. Failure to position the load center within the load center zone may result in death or serious injury.

Forks

Load Positioning Instructions

- 1 Determine the weight of the load and the location of its load center.
- 2 Measure to the load center from the side of the load that will be closest to the carriage.
- 3 Refer to the chart on the next page to determine if the machine is capable of lifting the weight at the location on the forks.
- 4 Place the load so that it rests on the forks, as close to the carriage as possible.
- 5 Position the load so that the load center is within the load center zone.
- 6 Secure the load to the forks.



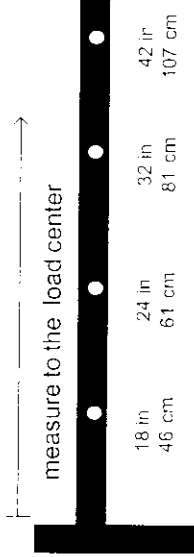
See the chart on the next page for maximum load centers for standard forks, adjustable forks and flat forks.

LOAD CAPACITY CHARTS

Boom

Load Positioning Instructions

- 1 Determine the weight of the load and the location of its load center.
- 2 Refer to the chart below to determine if the machine is capable of lifting the weight at the location on the boom.
- 3 Secure the load to the lifting shackle on the boom.



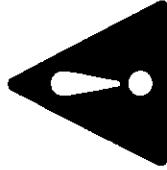
Maximum Load Centers

(measure from the front of the carriage)

Standard Forks:	24 in	61 cm
Adjustable Forks:	24 in	61 cm
Boom:	42 in	107 cm
Flat Forks:	28 in	71 cm
Vertical Barrel Stacker:	equivalent to 24 in	
Rotating Barrel Handler:	equivalent to 38 in	
30 gallon barrels	equivalent to 30 in	
55 gallon barrels	equivalent to 30 in	
Load Platform:	24 in	61 cm
Pipe Cradle:	18 in	46 cm
Fork Extensions:	42 in	107 cm

		Load Capacity Chart												
		Load Center												
		18	20	22	24	26	28	30	32	34	36	38	40	42
inches		18	20	22	24	26	28	30	32	34	36	38	40	42
cm		46	51	56	61	66	71	76	81	86	91	97	102	107
Model														
SLA-5	lbs	1000	1000	1000	1000	938	875	813	750	670	590	510	430	350
	kg	454	454	454	454	425	397	369	340	304	263	231	195	159
SLA-10	lbs	1000	1000	1000	1000	913	825	738	650	600	550	500	450	400
	kg	454	454	454	454	414	374	335	295	272	249	227	204	181
SLA-15	lbs	800	800	800	800	763	725	688	650	620	590	560	530	500
	kg	363	363	363	363	346	329	312	295	281	268	254	240	227
SLA-20	lbs	800	733	667	600	563	525	488	450	430	410	390	370	350
	kg	363	332	303	272	256	238	221	204	195	186	177	168	159
SLA-25	lbs	650	583	517	450	425	400	375	350	330	310	290	270	250
	kg	295	264	235	204	193	181	170	159	150	141	132	122	113

Transport and Lifting Instructions



Observe and Obey:

- The transport vehicle must be parked on a level surface.
- The transport vehicle must be secured to prevent rolling while the machine is being loaded.
- Be sure the vehicle capacity, loading surfaces and chains or straps are sufficient to withstand the machine weight. See the serial plate for machine weight.
- The machine must be secured to the transport vehicle with chains or straps of ample load capacity.

- 5 Lock the rear base casters.



- 6 Place the machine against the vehicle. Use proper lifting techniques to load the machine into the transport vehicle. Be sure to check that the carriage is locked in the lowered position.



- 7 Use a minimum of 1 chain or strap to secure the machine to the truckbed. Place the chain or strap over the mast. Placing the chain or strap over the legs can damage the legs.



Loading the Machine

Be sure to remove the load handling attachment from the machine and place the stabilizers in the stored position.

- 1 Fully lower the carriage, to lock for transport.
- 2 Rotate the carriage hold-down bar over the carriage.
- 3 Raise the carriage until it contacts the carriage hold-down bar.
- 4 Adjust the loading wheels to the desired position. Be sure the pin is properly inserted.

- 8 To unload, follow the loading instructions in reverse order.

Loading Machine with a Crane

Be sure to place the legs and stabilizers in the stored position.

Be sure to inspect the machine and remove any loose or unsecured items.

Use the lifting bracket on the top of the rear mast column.

Always place the lifting hook through the lifting bracket so that it points away from the machine.

Specifications

Model	SLA-5	SLA-10	SLA-15	SLA-20	SLA-25
Height-Stowed	78 ¹ / ₂ in 2 m	78 ¹ / ₂ in 2 m	78 ¹ / ₂ in 2 m	78 ¹ / ₂ in 2 m	78 ¹ / ₂ in 2 m
Width	31 ¹ / ₂ in 80 cm	31 ¹ / ₂ in 80 cm	31 ¹ / ₂ in 80 cm	31 ¹ / ₂ in 80 cm	31 ¹ / ₂ in 80 cm
Standard Base	78 ⁵ / ₈ in 2 m	78 ⁵ / ₈ in 2 m	78 ⁵ / ₈ in 2 m	78 ⁵ / ₈ in 2 m	78 ⁵ / ₈ in 2 m
Width-stabilizers lowered	31 ¹ / ₂ in 80 cm	31 ¹ / ₂ in 80 cm	31 ¹ / ₂ in 80 cm	NA	NA
Standard Base	58 in 1.5 m	58 in 1.5 m	58 in 1.5 m	NA	NA
Width-Min	29 in 74 cm	29 in 74 cm	29 in 74 cm	29 in 74 cm	31 in 79 cm
Straddle Base	59 ¹ / ₂ in 1.5 m	59 ¹ / ₂ in 1.5 m	72 ¹ / ₂ in 1.8 m	80 ¹ / ₂ in 2 m	80 ¹ / ₂ in 2 m
Width-Max	2 in 50.8 mm	2 in 50.8 mm	2 in 50.8 mm	2 in 50.8 mm	2 in 50.8 mm
Straddle Base	1000 lbs 454 kg	1000 lbs 454 kg	800 lbs 363 kg	800 lbs 363 kg	650 lbs 295 kg
Length-Stowed	215 lbs 97.5 kg	260 lbs 117.9 kg	317 lbs 143.8 kg	405 lbs 183.7 kg	450 lbs 204.1 kg
Length-Operating	258 lbs 117.0 kg	303 lbs 137.4 kg	360 lbs 163.3 kg	NA	NA
Ground Clearance	27 ¹ / ₂ in 70 cm	23 ¹ / ₂ in 60 cm	2 ¹ / ₂ in 6.4 cm	2 ¹ / ₂ in 6.4 cm	38 lbs 17.2 kg
Load Capacity at 18 inch / 46 cm load center Note: see Load Capacity Charts section for load capacities at other load centers.	27 ¹ / ₂ in 70 cm	11 ¹ / ₂ in to 30 in 29 cm to 76 cm	2 ¹ / ₂ in 6.4 cm	2 ¹ / ₂ in 6.4 cm	52.5 lbs 23.8 kg
Net Weight - Standard Base	32 in 81 cm	16 in to 31 in 41 cm to 79 cm	1 ¹ / ₂ in 3.8 cm	1 ¹ / ₂ in 3.8 cm	73 lbs 33.1 kg
Net Weight - Straddle Base	18 in to 42 in 46 cm to 1.1 m	1 ¹ / ₂ in 4 cm	6 ¹ / ₂ in 16.5 cm	6 ¹ / ₂ in 16.5 cm	34.5 lbs 15.6 kg
Load Handling Attachments	21 in 53 cm	29 in 74 cm	NA	NA	50.5 lbs 22.9 kg
Standard Forks	29 in 74 cm	31 in 79 cm	NA	NA	90 lbs 40.8 kg
Adjustable Forks	27 ¹ / ₂ in 70 cm	24 ¹ / ₂ in 63 cm	6 in 15.2 cm	6 in 15.2 cm	10 lbs 4.5 kg
Flat Forks	27 ¹ / ₂ in 70 cm	23 ¹ / ₂ in 60 cm	2 ¹ / ₂ in 6.4 cm	2 ¹ / ₂ in 6.4 cm	26.5 lbs 12 kg
Boom	30 in 76 cm	2 in 5 cm	3 in 7.6 cm	3 in 7.6 cm	4.5 lbs 2 kg
Vertical Barrel Stacker					
Rotating Barrel Handler					
Pipe Cradle					
Load Platform					
Fork extensions (each)					

SPECIFICATIONS

Dimensions	SLA-5	SLA-10	SLA-15	SLA-20	SLA-25
Standard Forks	forks down	9 ft 9 in 3 m	14 ft 7 1/2 in 4.5 m	19 ft 6 in 5.9 m	24 ft 4 in 7.4 m
	forks up	6 ft 7 in 2 m	11 ft 5 1/2 in 3.5 m	16 ft 4 in 5 m	21 ft 2 1/2 in 6.5 m
Adjustable Forks	forks down	4 ft 10 1/2 in 1.5 m	9 ft 9 in 3 m	14 ft 7 1/2 in 4.5 m	19 ft 6 in 6 m
	forks up	6 ft 7 in 2 m	11 ft 5 1/2 in 3.5 m	16 ft 4 in 5 m	21 ft 2 1/2 in 6.5 m
Flat Forks	4 ft 10 1/2 in 1.5 m	9 ft 9 in 3 m	14 ft 7 1/2 in 4.5 m	NA	NA
Boom	5 ft 10 1/2 in 1.8 m	10 ft 9 in 3.3 m	15 ft 7 1/2 in 4.8 m	20 ft 6 in 6.2 m	24 ft 4 in 7.4 m
	Note: measured from ground to bottom of shackle				
Vertical Barrel Stacker	30 gallon	4 ft 1.2 m	8 ft 10 in 2.7 m	NA	NA
	55 gallon	3 ft 10 in 1.2 m	8 ft 8 in 2.6 m	13 ft 9 in 4.2 m	13 ft 7 in 4.1 m
Note: measured from ground to bottom of barrel					
Rotating Barrel Handler	55 gallon	3 ft 10 in 1.2 m	8 ft 8 in 2.6 m	13 ft 7 in 4.1 m	NA
	30 gallon	3 ft 10 in 1.2 m	8 ft 8 in 2.6 m	13 ft 7 in 4.1 m	NA
Note: measured from ground to bottom of barrel					
Load Platform	forks down	4 ft 10 1/2 in 1.5 m	9 ft 9 in 3 m	14 ft 7 1/2 in 4.5 m	19 ft 6 in 6 m
	forks up	6 ft 7 in 2 m	11 ft 5 1/2 in 3.5 m	16 ft 4 in 5 m	21 ft 2 1/2 in 6.5 m
Note: can be used with standard forks and adjustable forks only					
Pipe Cradle Option	handles round objects up to 30 in / 76 cm in diameter				
Note: can be used with standard forks and adjustable forks only (see above for working heights)					
Non-marking Fork Option					
Note: can be used with standard forks and adjustable forks only (see above for working heights)					
Fork Extension Option	adds 6 1/4 to 25 inches / 15 to 64 cm of length to forks				
Note: can be used with standard forks and adjustable forks only (see above for working heights)					
Airborne Noise Emissions by Machinery	85 dB	85 dB	85 dB	85 dB	85 dB
Maximum sound level at normal operating workstations (A-weighted)					