

adaptalift **GROUP**



P2.0UTE

2,000 KG

ELECTRIC
WALKIE
PALLET TRUCK



THE SOLUTION TO YOUR
APPLICATION NEEDS

13 22 54
aalhysterforklifts.com.au

P2.0UTE

2,000 KG

ELECTRIC
WALKIE
PALLET TRUCK

OVERVIEW

The Hyster® electric walkie pallet truck P2.0UTE combines ergonomic features and reliable performance with energy efficient technology. The low-maintenance helps increase productivity and reduce operational costs.

Standard Features

- ✓ Brushless maintenance free AC motor
- ✓ Sealed maintenance free batteries
- ✓ Small turning radius 1335mm-1405mm (width 520/550/685mm)
- ✓ Self-adjusting caster wheels
- ✓ Drive capability when tiller is upright, greatly reducing turning space
- ✓ Tiller head with max. speed limit button
- ✓ Emergency stop and belly button
- ✓ Casters to increase stability
- ✓ Exit roller
- ✓ BDI and hour meter
- ✓ Built-in charger

Options

- ✓ External charger
- ✓ Various fork widths and lengths available



**Handle (Standard)
(Left & Right
Handed)**

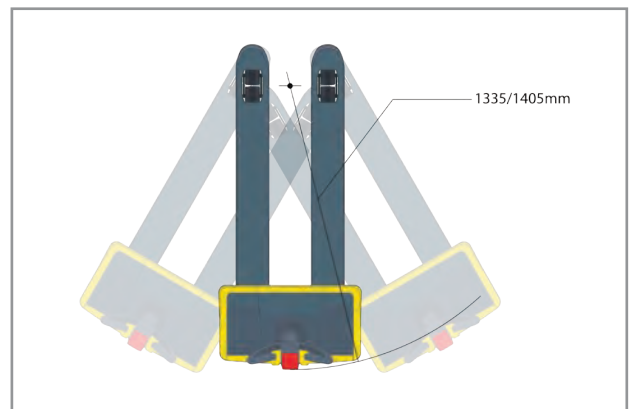


**Entry roller for
easy operation**

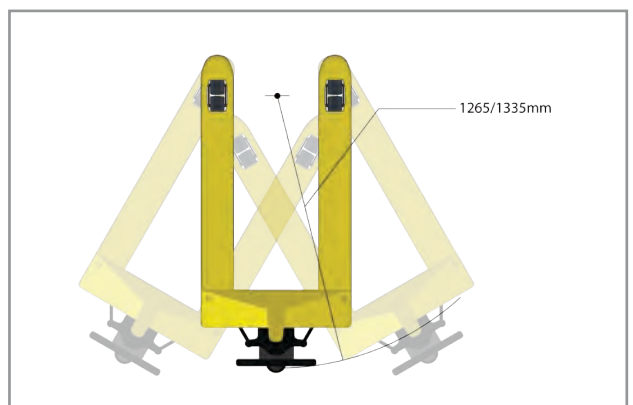
TURNING RADIUS

The P2.0UTE has a small turning radius. When switched to low speed it adapts to narrow spaces. Ideal for shipping containers and tail gate applications.

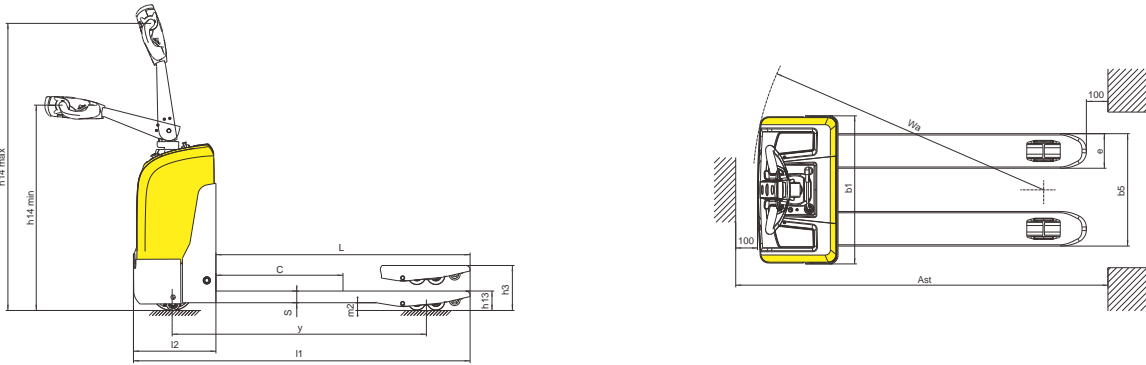
MINI Type Pallet Truck



Hand Pallet Truck



SPECIFICATIONS AND DIMENSIONS



MODEL	MEASUREMENT	P2.0UTE
Load capacity	Q (kg)	2000
Load centre distance	c (mm)	600
Fork height, lowered	h13 (mm)	85 / 75
Tyre size, front	mm	φ195x70
Tyre size, rear (single)	mm	φ80x93 /φ74x93
Tyre size, rear (double)	mm	φ80x70 /φ74x70
Wheels number front rear (x = driven wheels)		1X-2/4
Max. lift height	h3 (mm)	190/180
Height of tiller in drive position min./max.	h14 (mm)	950/1310
Overall length	I1 (mm)	1525/1595
Length to face of forks	I2 (mm)	375
Overall width	b1 (mm)	685
Fork dimensions	s/e/l (mm)	53/160/1150 (1220)
Width overall forks	b5 (mm)	520/550/685
Aisle width for pallets 1000x1200 (1200 crossways)	Ast (mm)	1725/1795
Aisle width for pallets 800x1200 (1200 lengthways)	Ast (mm)	1775/1795
Turning radius	Wa (mm)	1335/1405
Travel speed, laden/unladen	Km/h	4/4.5
Battery voltage/nominal capacity K20	V/Ah	24/105
Battery dimensions l/w/h	mm	260/169/215
Battery weight	Kg	49
Service weight (with battery)	Kg	250

P2.0UTE Power Plug Type



Branches

VICTORIA

Melbourne - Springvale (Head Office)

📍 1574 Centre Rd
Springvale, VIC, 3171
☎ [03] 9547 8000

Melbourne - Truganina

📍 42-44 Jessica Way
Truganina, VIC, 3029
☎ [03] 9394 4090

TASMANIA

Spreyton

📍 87a Devonport Road
Spreyton, TAS, 7310
☎ [03] 6427 3966

NEW SOUTH WALES

Sydney (State Office)

📍 219 Newton Rd
Wetherill Park, NSW, 2164
☎ [02] 8788 1777

Riverina

📍 5 Favell Street
Griffith, NSW, 2680
☎ [02] 6962 7343

Port Kembla

📍 20-26 Flinders Street
Port Kembla, NSW, 2505
☎ 13 22 54

QUEENSLAND

Brisbane (State Office)

📍 11 Lombank Street
Acacia Ridge, QLD, 4110
☎ [07] 3373 5111

Rockhampton

📍 62 Glenmore Road
Park Avenue, Rockhampton
QLD 4701
☎ [07] 4922 8874

Townsville

📍 39 Duckworth Street
Garbutt, QLD, 4814
☎ [07] 4778 2000

SOUTH AUSTRALIA/ NORTHERN TERRITORY

Adelaide (State Office)

📍 18-22 Churchill Rd. Nth.
Dry Creek, SA, 5094
☎ [08] 8360 3444

Mt Gambier

☎ 13 22 54

WESTERN AUSTRALIA

Perth (State Office)

📍 Unit 1, 1-9 Kurnall Road
Welshpool, WA, 6106
☎ [08] 9352 9200

Karratha

📍 Lot 3873-Pemberton Road
Karratha, WA, 6714
☎ 13 22 54

Service Centres

VICTORIA

Bendigo
Warrnambool
Ballarat
Shepparton
Wondonga
Mildura

TASMANIA

Hobart
Launceston
Burnie

NEW SOUTH WALES

Dubbo
Griffith
Tamworth
Newcastle
Wollongong
Canberra
Tumut
Bathurst
Wagga Wagga
Albury
Gosford
Coffs Harbour

QUEENSLAND

Rockhampton
Mackay
Cairns
Gladstone
Townsville
Mt Isa
Toowoomba
Gold Coast
Sunshine Coast

SOUTH AUSTRALIA/NT

Riverland
Darwin

WESTERN AUSTRALIA

Margaret River



13 22 54

aalhysterforklifts.com.au