

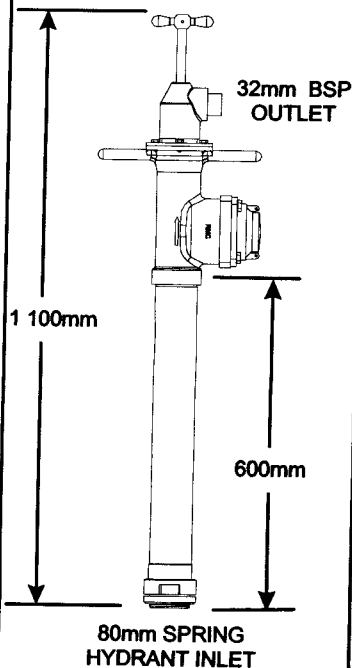
Can you plz put this in for Stand Pipes.



# METERED STANDPIPE HYDRANT

... metering water drawn from the mains

## 32mm Standpipe



### Performance 32mm

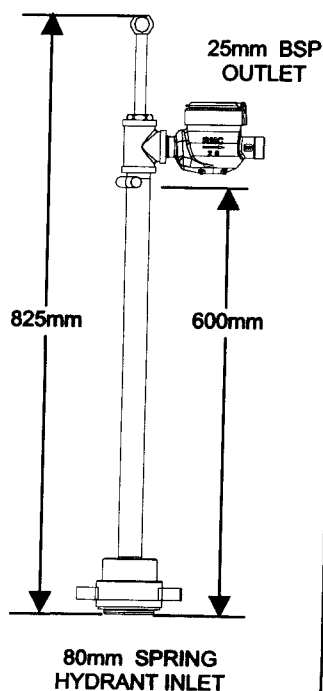
#### FLOWRATE/ACCURACY

Max. Flowrate: 30 000 l/hr  
 Min Flowrate: 4000 l/hr  
 Meter Accuracy:  $\pm 5\%$  4 000 to 10 000 l/hr  
 $\pm 2\%$  10 000 to 30 000 l/hr

#### MATERIALS / WEIGHT

Body: Aluminium  
 Spindle: Stainless steel  
 Weight: 12.2 Kg

## 25mm Standpipe



### Performance 25mm

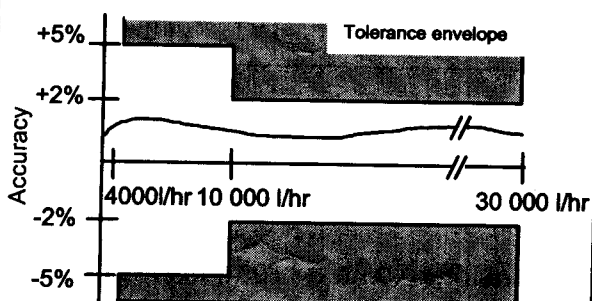
#### FLOWRATE/ACCURACY

Max. Flowrate: 5 000 l/hr  
 Min Flowrate: 30 l/hr  
 Meter Accuracy:  $\pm 2\%$

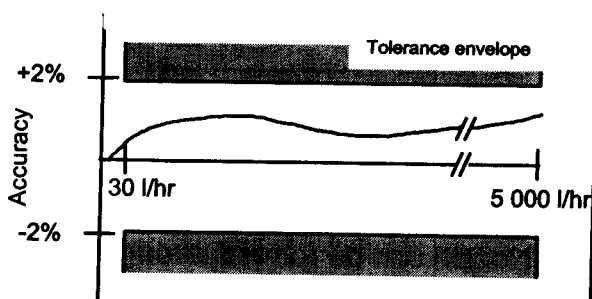
#### MATERIALS / WEIGHT

Body: Galvanised iron  
 Spindle: Brass  
 Weight: 9.0 Kg

### ACCURACY CURVE (32mm)

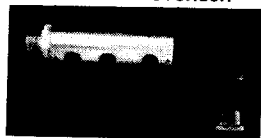


### ACCURACY CURVE (25mm)



### ACCESSORIES:

Double Check Valve  
Backflow Prevention



Required by Sydney Water to comply with Australian Backflow requirements.

Hydrant Flushing Device



To keep the hydrant clean from debris, prolonging the life of your standpipe.



SCANNED

# Permit to Use Approved Metered Standpipes on Sydney Water Corporation Hydrants

## Terms and Conditions

1. Permit holders (You) are permitted access to hydrants nominated by Sydney Water for the purpose of drawing water using approved metered standpipes in accordance with the terms and conditions of this permit. Your permit is valid for three years from the date of issue by Sydney Water of a permit registration number.
2. You must ensure that any employee or person acting on your behalf in accessing Sydney Water's hydrants understands these terms and conditions.
3. You must not use Standpipes in a manner, which results in a waste of water. You must advise Sydney Water immediately of any inability to remove a standpipe or to stop the flow of water. Standpipes should not be used on recycled water hydrants.
4. Your permit is not transferable and you will only be issued with one permit.
5. You must pay an annual service charge to Sydney Water as amended from time to time within the number of days specified on Sydney Water's account.
6. You must pay Sydney Water a water usage charge in accordance with the rate determined by IPART as amended from time to time, within the number of days specified on Sydney Water's account.
7. You are responsible for payment of all charges to Sydney Water regardless of the end use of the water or your arrangements with other parties.
8. You must provide an actual meter reading to Sydney Water for all standpipes by the end of August, November, February and May of each year or such other dates as nominated by Sydney Water.
9. A logbook will be provided to you in which you must record details at the conclusion of each individual use. You must provide that logbook to Sydney Water on demand. You must contact Sydney Water to obtain a replacement logbook prior to completing a logbook.
10. Sydney Water reserves the right to average or estimate water usage and suspend or terminate your permit where you fail to provide a meter reading in accordance with condition 8 or where the Standpipe is allegedly lost, stolen, damaged or defective, or the metered Standpipe fails for any other reason to register a correct reading.
11. You must not damage, remove or tamper with the water meter, backflow prevention device or strainer component of a metered standpipe.
12. You or any operators of an approved standpipe must ensure that the metered standpipe is operating correctly at all times and accurately measuring the water drawn.
13. Sydney Water may require you to test exchange or recalibrate the standpipe meter to ensure accuracy and you must do so within a reasonable period of that request.
14. You must report to Sydney Water immediately, any metered standpipe or logbook that is stolen, lost or damaged.
15. Before any metered standpipe is attached to any Sydney Water hydrant, such metered standpipe must be registered with Sydney Water.
16. You may not connect a non-approved standpipe to Sydney Water hydrants.
17. A copy of the permit should be with the user of the standpipe and presented on demand to Sydney Water.
18. You must prominently display any sign, notice or sticker supplied by Sydney Water on your vehicles.
19. You indemnify Sydney Water against any damage to its hydrants, water mains or associated installations arising out of your or your servants or agents use of any standpipe on Sydney Water's hydrants. Sydney Water will repair such damage, at your cost.
20. You are required to prevent backflow in accordance with the requirements of the Sydney Water backflow prevention policy and you acknowledge that you have read and understood that policy.
21. You, and any employee or person acting on your behalf, must comply with all laws when using a standpipe and you accept full responsibility for any damage to person or property as a consequence of such use.
22. You acknowledge
  - a. Your responsibility for control of the place of work, namely the area where the hydrant (including the Standpipe) is accessed.
  - b. That improper use of the standpipe may give rise to a risk to the safety of persons in or near to the Place of Work.
  - c. That anyone you allow to use the Standpipe will be made aware of the proper procedures to use the standpipe or if that User is not aware, that the User will not attempt to connect the standpipe to a hydrant without first making themselves aware of the proper procedures for the use of the standpipe.
  - d. That prior to connecting the standpipe to a hydrant, you or your authorised employee will:
    - Inspect the standpipe for any visible sign of defect before use.
    - Undertake an assessment of the potential risks associated with the use of the standpipe.
    - Put in place procedures to effectively manage the potential risks including observation of the standpipe whilst in operation and the protection of any person or thing that may sustain injury, damage or loss from the standpipe.
23. You must notify Sydney Water of any changes to the details provided on your application.
24. Sydney Water reserves the right to amend or vary these terms and conditions and will notify you in writing at least 1 month prior to any changes taking effect.
25. Sydney Water reserves the right to withdraw, rescind or suspend a permit at any time without notice and you release Sydney Water from any loss or inconvenience resulting from such withdrawal.
26. A permit may be revoked or suspended should you or your servants or agents provide false or misleading information to Sydney Water, refuse to hand over the metered standpipe at the request of Sydney Water or breach any of these terms and conditions. You should make yourself aware of the relevant sections of the Sydney Water Act that impact on your operations. Sydney Water reserves the right to apply penalties for any breach of these conditions.