

Manual # 317

Plant # 1640

Dryer 5kg.

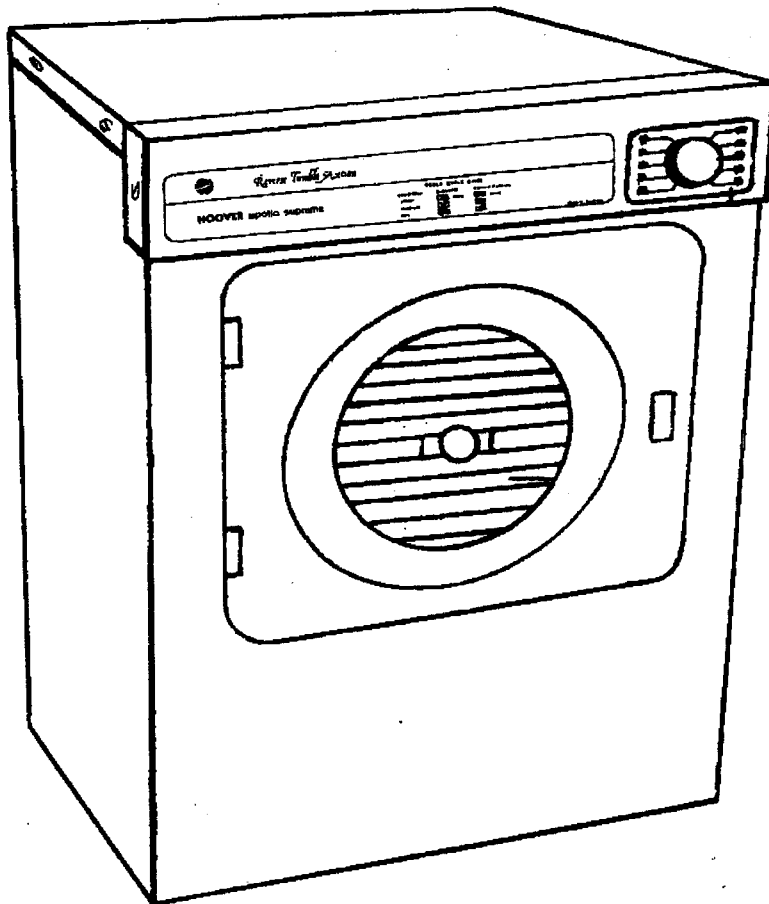


* Instructions for the use
and care of your new

HOOVER* DRYER

MODELS APOLLO* SUPREME
APOLLO 120 DELUXE
APOLLO 120
APOLLO 100

D 6366
D 6174
D 6178
D 6176



INTRODUCTION

Congratulations on your purchase of a new Hoover Tumble Dryer. You will now be able to do all your drying in your home irrespective of the weather. Clothes can be left damp dry for ironing, while items like towels, etc., may be dried completely and emerge soft, light and fluffy.

This booklet explains how to obtain the best drying results from your new Hoover Apollo Supreme, Apollo Deluxe, Apollo 120 and Apollo 100. Where there are differences in procedure, follow those instructions which apply only to your model.

IMPORTANT

1. Before using your new Hoover Tumble Dryer ensure that all transit packing and tape has been removed. Open the door and remove the 2 pieces of tape holding the drum to the shell. Follow the Installation Instructions outlined on page 6.
2. Your Hoover Tumble Dryer is for operation only on a 240 volt, 50 Hz, 10 Amp A.C. supply. Never operate your machine from an unearthed power supply such as a light socket. It should only be connected to an earthed three-pin power-point.
3. To maintain the efficiency of your Dryer it is essential to periodically carry out the "Care and Maintenance" instructions outlined on page 5.

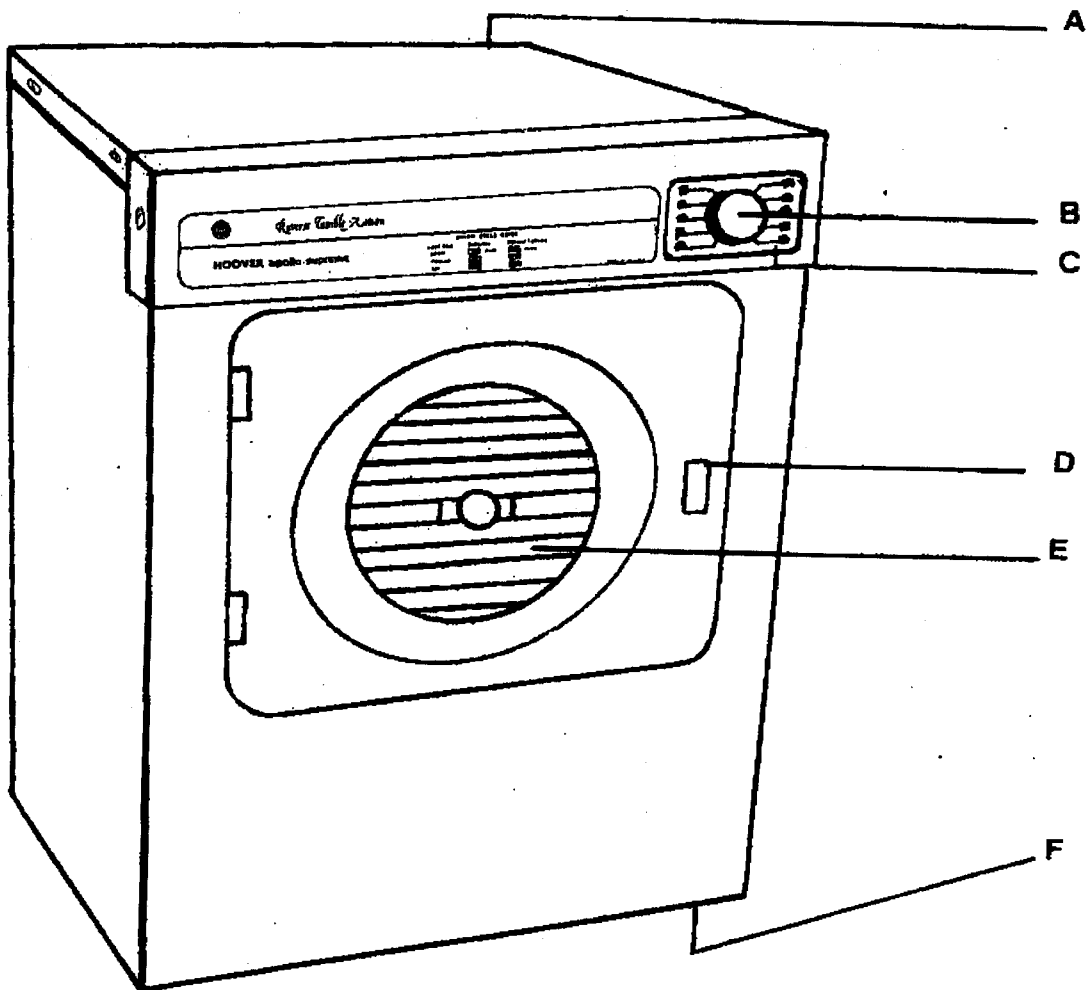
A Slots for wall mounting
B Combined Timer/
Temperature Control

C Control panel
D Start control safety switch

E Adjustable outlet grille
and lint filter

F Skids

Fig. 1



BASIC OPERATING INSTRUCTIONS

1. It is good practice to check first that the lint filter has been cleaned of any lint build-up from a previous load (see page 5 for procedure).
2. With the Timer Control in the "OFF" position, plug cord into a three-pin power-point and switch "ON" at the wall socket.
3. Load the clothes and articles into the dryer (see "Loading" and "Fabric Hints") and close the door firmly. The Dryer will not operate with the door open.
4. Set the required temperature and desired drying time (see Drying Times, page 3) by turning the Timer Knob clockwise.
Important: The Timer Control Knob will only operate when turned in a clockwise direction. If turned in an anti-clockwise direction permanent damage may be caused to the Timer.
5. In setting the time, line up the Indicator Mark on the knob with the Time Periods on the Control Panel.
6. To start the Dryer, depress the 'Start Control SAFETY SWITCH' on the door.
7. To stop the Dryer during a cycle in order to check dryness or remove articles, simply open the door. If further drying is required, close the door and depress the Start Control to recommence the cycle.
8. The timer will automatically switch off heater 12 minutes before completion of cycle. This automatic cool down cycle helps to minimise creasing and articles should be removed as soon as tumbling stops.
9. At the end of each drying load, clean the Lint Filter. See instructions on how to clean the Lint Filter on Page 5.
10. Close the door and ensure that the TIMER CONTROL is in the "OFF" position. Switch power-point "OFF" and remove plug. On floor positioned dryers, store the cord by winding it around the two plastic spacers at the rear of the machine (Fig. 5).

DRYING INFORMATION

1. Loading

Your Dryer can handle a load of up to: Model Apollo 100 — 3.6 kg (8lb) and Models Apollo Supreme, Apollo Deluxe and Apollo 120 — 5 kg (11lb) dry weight of articles. When loading, shake out each handful of clothes so that they can tumble freely. Clothes should not be loaded in a tangled condition, as this will prolong the drying time. Blankets and other large items may tend to keep their position in the drum; therefore it may be necessary to remove these articles once during the drying period and change their position to ensure thorough drying.

Do not overload. Mix large and small items for faster and more even drying. Add a couple of hand towels to act as buffers when drying very small loads. As much water as possible should be extracted from articles before placing them in the drum. Do not put dripping wet items in your Dryer. Silks, dacrons and nylons should be placed in the Dryer separately and should not be overdried. It is recommended that you do not mix synthetic whites and coloureds unless you are sure there will be no intermix of colours.

2. Drying Time

DRYER CYCLE GUIDE

Note: The drying times indicated are an approximate guide only. Drying times can vary greatly depending on dampness and type of fabrics and your own experience will be your best guide.

MODELS APOLLO SUPREME,
APOLLO DELUXE, APOLLO 120
(Maximum loading 5 kg)

Load Size	TIMER HEAT SETTING	
	Normal Fabrics	Delicates
FULL	HOT 135 Mins	*
MEDIUM	HOT 75 Mins	WARM 70 Mins
SMALL	HOT 40 Mins	WARM 50 Mins

MODEL APOLLO 100
(Maximum loading 3.6kg)

FULL	HOT 100 Mins	*
MEDIUM	HOT 60 Mins	WARM 55 Mins
SMALL	HOT 30 Mins	WARM 40 Mins

Permanent Press and delicate articles should normally be dried on the 'Warm' setting and it is recommended that only half a normal load be placed in the drum for best results. Creasing can be minimised by removing and hanging garments immediately the dryer stops.

We do not generally recommend tumble drying of woollen garments as shrinkage and distortion may occur.

FABRIC HINTS

Blankets

Extract most water before drying. Place 2 or 3 towels in Dryer and allow to preheat for 10 minutes on 'HOT' setting. Switch to 'WARM' setting before placing blanket in Dryer. Remove whilst still damp, re-shape and hang to dry. When dry, brush to raise nap. Press bindings with warm iron.

Cotton T shirts/Knit underwear

Dry only to slightly damp stage. If allowed to tumble too long, knitted cotton may shrink, although this may be corrected by re-dampening or wearing.

Curtains, Slip Covers

Remove from Dryer when slightly damp, iron and hang immediately.

Chenille and Candlewick Bedspreads

Dry only one bedspread at a time. Remove as much moisture as possible before placing bedspread in Dryer. Dry completely.

Lingerie

Use the "Warm" heat setting. Remove as soon as dried to avoid wrinkling. To prevent tangling it is recommended that nylon hosiery be enclosed in a mesh bag during drying.

Knitted Synthetics

Use the "WARM" heat setting. As rubbing surfaces may form small beads during drying, it is advisable to turn these garments inside out. Use dry towels as a buffer.

3. Avoid Overdrying

All fabrics hold a certain amount of natural moisture. Overdrying removes this moisture and can result in hard clothes with set wrinkles. Overdrying is apt to cause shrinkage. Clothes removed from the Dryer when feeling warm and slightly damp will feel dry when cooled.

Corduroy

Turn inside out. Remove when slightly damp and re-shape.

WARNING — Unsuitable Materials.

Most fabrics can be dried successfully in your Tumble Dryer but there are certain types of fabric and material which are not suitable for tumble drying. The following items **MUST NOT** be placed in your dryer due to a fire or explosion risk:—

1. Undergarments such as brassiere and corsets, which may contain metal reinforcements, should not be dried in your tumble Dryer. Your Dryer may be damaged if metal parts were to come loose from the garment.
2. Chemically impregnated fabrics—such as mops or cleaning cloths which are saturated with wax or inflammable solvents.
3. Rubber backed articles, clothes fitted with foam rubber pads, pillows, galoshes and rubber coated tennis shoes.
4. Garments cleaned with any dry-cleaning or combustible solution. Garments which have been washed in water only, should be placed in your Dryer.
5. Durable pleated items other than permanent press. These items should be drip dried.
6. Fibreglass items are best drip dried. However, if Dryer is to be used—dry alone.

DRYER FEATURES

1. Reverse Tumble Action (Apollo Supreme Only)

To achieve more even drying, this dryer has been designed to reverse drum rotation every 3 minutes. This action enables garments to be more evenly distributed throughout the drum while drying.

2. Directional Outlet Grille

Your Dryer is fitted with an adjustable outlet grille which will enable you to direct the outlet exhaust into any area of your laundry. The hot air can then be directed outside through an open door or window. To adjust, simply place the thumb and forefinger around the hub of the outlet grille (see Fig. 2) and rotate to the desired position.

3. Cool Down ("Fluffing" Cycle)

A 12 minute cool period operates at the end of each drying cycle (i.e. air flow but no heat). This is shown as the "COOL" sector on the timer dial. The cool down period minimises wrinkling or creasing and facilitates easy ironing. It may also be used to fluff up sheets or blankets.

4. Automatic Safety Stop

To check the load at any time it is not necessary to switch off the Dryer and re-set the controls. Opening the door activates the cut-out switch and this stops the Dryer. This switch cuts off all power to the heating element and motor. To recommence the cycle, close the door and depress the "START CONTROL".

5. Moving your Dryer

The Dryer is supported on skids which enable it to be conveniently moved for cleaning or storage.

6. Safety Switch

A safety switch has been incorporated in conjunction with the Door Switch to ensure safety of operation.

A set of wheels is available as an optional extra from your Hoover Retailer or authorised Service Centre, should you desire to make your Dryer fully mobile.

CARE AND MAINTENANCE

To clean the Lint Filter

To ensure that articles are dried as quickly as possible, the Lint Filter, located behind the adjustable Outlet Grille, should be cleaned after each load. To gain access to the filter, remove the outlet grille by grasping the hub and pull outward (see Fig. 3). Turn the back of the outlet grille towards you to expose the Lint Filter. Thoroughly remove all lint by rubbing fingers gently against the Lint Filter mesh (see Fig. 4). In addition, remove any remaining lint from the perforated metal Lint Screen on the door.

Replace the outlet grille by locating its hub over the projection in the centre of the door and then push fully home. Ensure that no lint is trapped between the outside edge of the outer grille and its sealing face on the door (see Fig. 3).

Cleaning

The high quality enamel surfaces of the Tumble Dryer need only a little attention to keep them in perfect condition. Just wipe inside the drum and then outside of the cabinet with a damp cloth; an occasional polish on the outside with a good furniture wax will maintain the shining finish.

Caution: If you use a spray type prewash agent such as "Preen" or "Friend" for treating collars and cuffs, avoid spraying near your dryer as the enamel finish may be affected by the overspray.

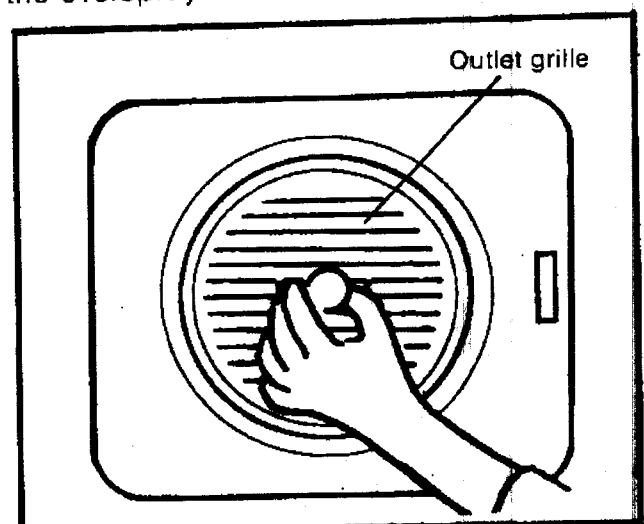


Fig. 2

INSTALLATION

Electrical Requirements

Remove the cord and wall-mounting bracket from carton.

The Dryer is supplied with a 2m cord and is designed to operate on a 240 volt, 50Hz, 10 Amp; earthed A.C. supply. When washing, do not use the Dryer on the same circuit while your washing machine is on a heating cycle as this will overload the supply and possibly blow a fuse.

Positioning Dryer

The Tumble Dryer should be situated in an area where there is good ventilation. The rear of the Dryer must not have any restriction to the intake of fresh air. Do not position the Dryer near a long drape which could be drawn against the air intake grille as this would cause a much longer clothes drying time.

Floor Location (Fig. 5)

For Dryers which are to be operated on the floor, the two plastic spacers which are supplied with the Dryer should be fitted under the heads of the screws 20cm down on each side of the rear panel (see Fig. 5). These are provided to ensure that the Dryer is situated at the correct working distance from the wall.

Alternatively the Wall Mounting Bracket may be used instead of the spacers, as shown in Fig. 6.

Wall Mounting

For wall mounting, the bracket supplied with the Dryer is to be used.

Note: First ensure that the wall bracket hooks fit easily into the mounting slots on the rear panel of the Dryer. Any small difference between the bracket hooks and the mounting slots can be adjusted simply by bending the hooks with a pair of pliers.

Two methods of mounting are as follows:

(a) Wall mounting up to waist height (Fig. 6).

Fit the plastic spacers under the heads of the bottom screws on each side of the rear panel (see Fig. 6). The wall mounting bracket should then be securely attached to the wall at the desired height. Assemble Dryer to bracket by manouvering the Dryer up and over the two bracket hooks so that they enter the upper vertical slots in the rear panel.

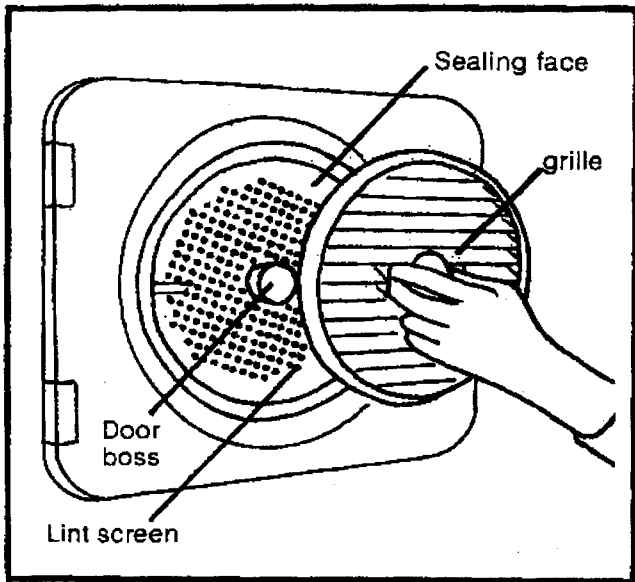


Fig. 3

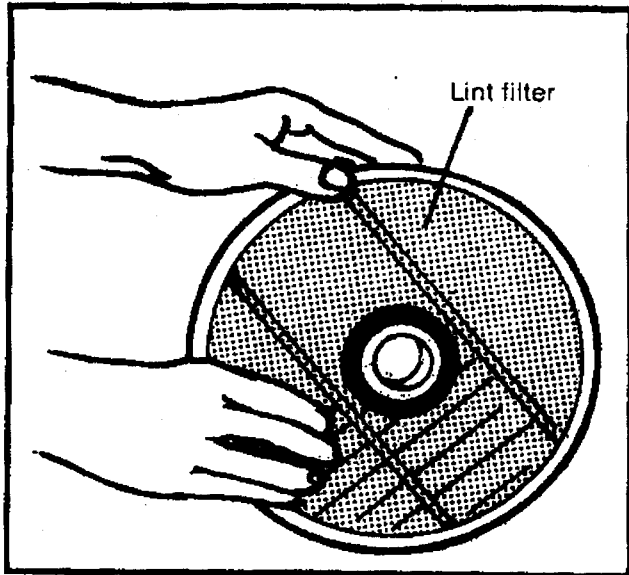


Fig. 4

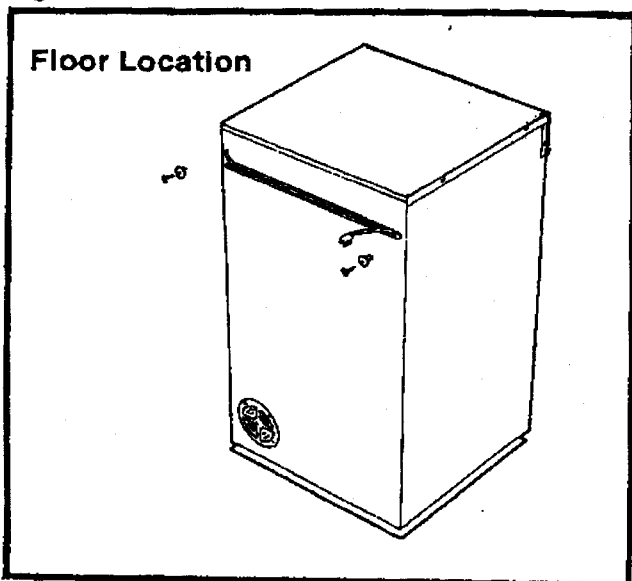


Fig. 5

(b) Wall mounting above waist height (Fig. 7).

In this case it will be necessary to invert the Dryer so that the controls are now conveniently situated at the bottom left-hand corner of the Cabinet. A Control Panel and Hoover Name-panel with reversed symbols to suit this new position are available from your Hoover Retailer or Service Agent. Quote Dryer model number when ordering. To fit these panels pull off Timer Control Knob and clean surface of old panels with methylated spirits. Peel off release paper from the rear of the new panels to reveal the self-adhesive backing. Carefully locate the new panels in their surround and press home firmly. Refit Timer Control Knob.

Securely attach the wall mounting bracket to the wall at the desired height (see Fig. 7). Fit the plastic spacers under the heads of the screws on the rear panel at the end opposite to that of the air inlet. Assemble Dryer to bracket by manoeuvring the Dryer up and over the two bracket hooks so that they enter the two vertical slots in the rear panel (see Fig. 7).

(c) Stack mounting

If you wish to mount the Dryer on top of a Hoover Front Loading Washing Machine, a special Stacking Frame Part No. 022940 is available from your Hoover Retailer.

Future Transit

If moving home it is suggested that the drum be securely taped to the cabinet to prevent displacing front bearings.

SERVICE

Ensure that any service required is always carried out by an authorised Hoover Service Retailer or Service Centre. If your Dryer appears inoperative, check the following points before calling your Service Engineer:—

1. Is the electrical cord plugged into the power-point and switched on?
2. Is the power available? Check by connecting a small appliance such as a lamp, shaver, etc. to the power-point.
3. Is the Dryer door firmly closed and the Timer set according to instructions on page 3?
4. Is the Lint Filter clean? If blocked a longer drying time or nuisance tripping of the Thermal Overload cut-out (T.O.C.) will result. See Fig. 4.
5. Has the correct "Timer Heat" setting (Hot/Warm) been selected for the articles being dried?
6. Has the T.O.C. operated? Clean Lint Filter and wait at least 10 minutes for the cut-out to automatically reset. The Start Control must be depressed to recommence Dryer operation. Should the Overload cut-out continue to trip, notify your Hoover Service Centre.
7. Is the rear air intake grille blocked? Remove blockage, clean with a brush or vacuum cleaner. See Fig. 6.

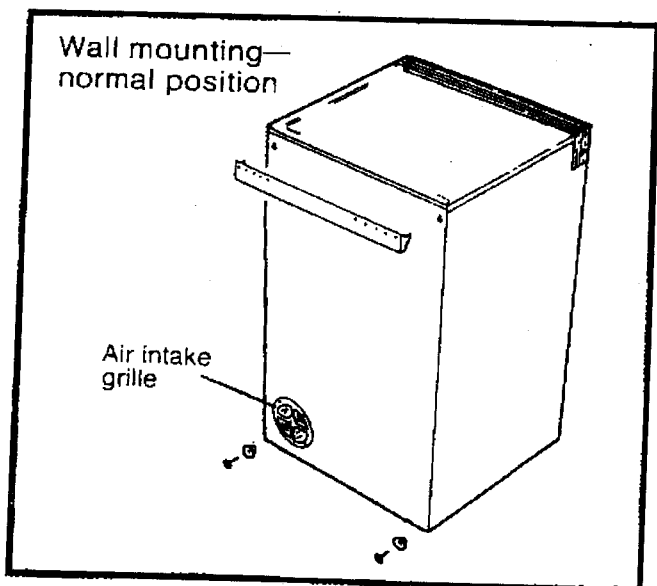


Fig. 6

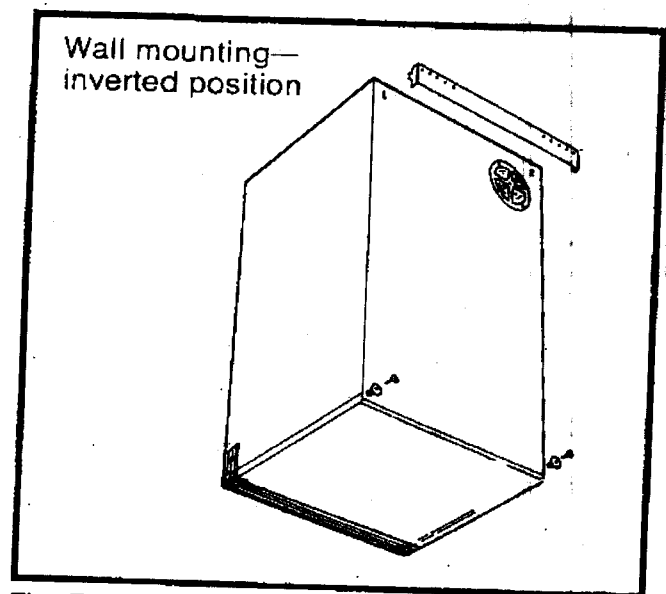


Fig. 7