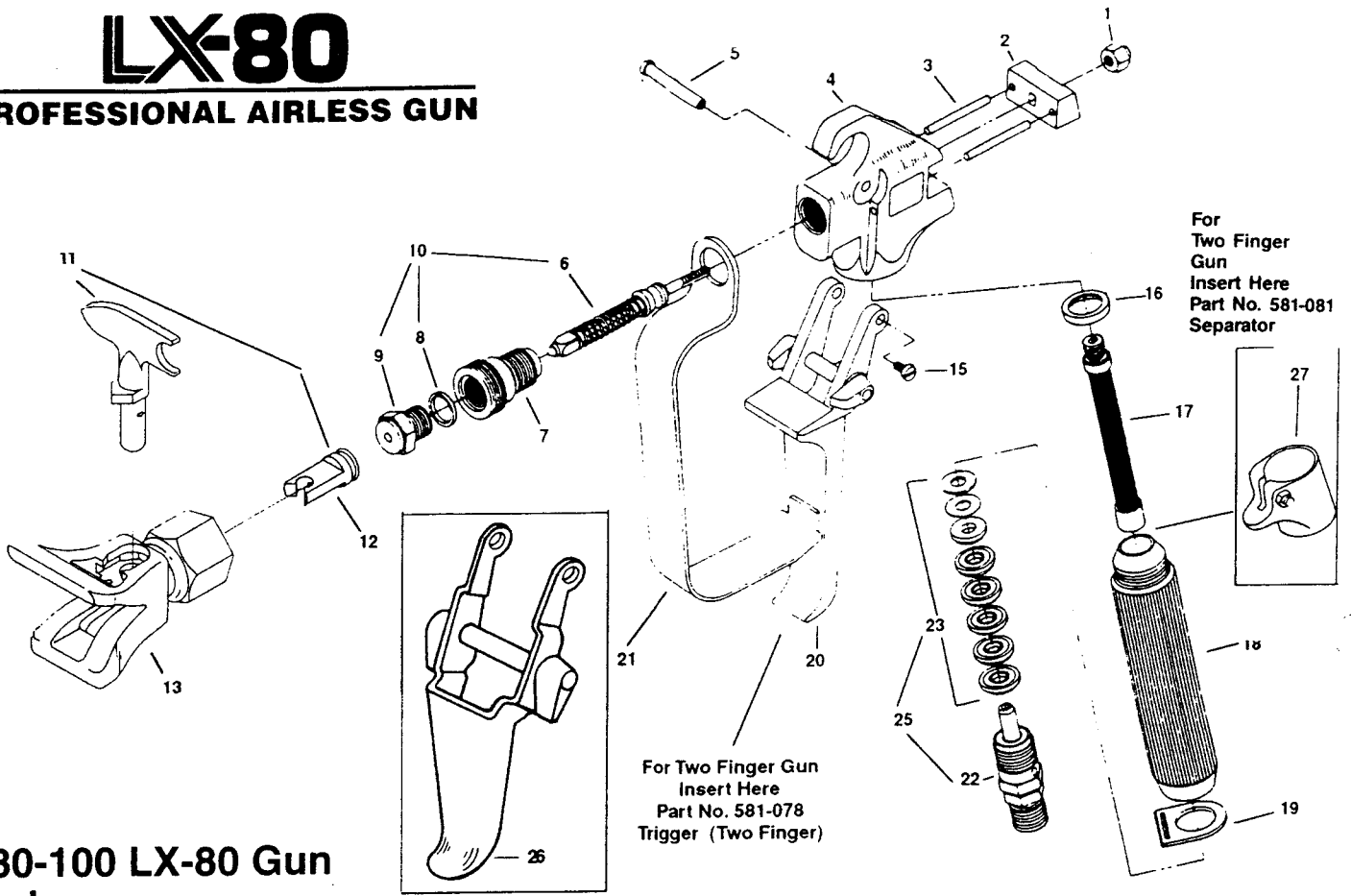


LX-80

PROFESSIONAL AIRLESS GUN



580-100 LX-80 Gun and 581-085 Two Finger LX-80 Gun

ITEM NO.	PART NO.	DESCRIPTION	QUANTITY
1	226-001	Lock Nut	1
2	580-003	Rear Housing	1
3	580-025	Retractor Pin	2
4	580-005	Head	1
5	581-087	Trigger Pin Screw	1
6	580-017	Gun Seal Assembly	1
7	580-032	Retaining Nut Housing	1
8	520-020	Washer	1
9	520-018	Diffuser Housing	1
10	580-034	Repair Kit (1,6,8,9)	1*
11	641-517	SC-5 Tip with Seal	1
12	641-003	Tip Seal	1
13	641-100	Safety Guard	1
15	580-019	Trigger Screw	1
16	560-038	Handle Seal	1*
17	500-200-060	Filter	1*
18	580-021	Swivel Handle	1
19	580-031	Trigger Bracket for Swivel	1
20	580-071	Trigger, 4 Finger w/ Pin & Screw	1
21	580-023	Trigger Guard	1

ITEM NO.	PART NO.	DESCRIPTION	QUANTITY
22	500-052	Swivel End Assembly	1
23	500-053	Swivel Repacking Kit	1
25	500-051	Swivel Assy. (incl. 22, 23)	1

For Two Finger Gun			
26	581-078	Trigger, Two Finger	1
27	581-081	Separator	1

OPTIONAL ACCESSORIES

Adjustable Tip Set	
341-028	Adjustable Tip
450-100a	Guard for Adjustable Tip
611-111	6" Gun Extension

Specifications are subject to change without notice.
US Patent No's. 4611758 and 4500119
Foreign Patents Pending
*Recommended Stock Items

To Change Tips:

Tips can easily be removed and replaced without disassembling the unit. **Note:** Always use seal assembly supplied with the SC-5. **WARNING:** Never attempt to change tips while unit is pressurized. Always engage gun safety before proceeding.

- To remove a tip: rotate SC-5 Tip 1/4 of a turn and pull Tip until it slides free of the Guard & Tip Seal Assembly.
- To insert a new tip, repeat above procedures in the reverse order.

Tip Size Identification:

Example: Tip Marking 517 -- To determine spray pattern width, multiply 1st digit by 2. Add 2" maximum. (5 = 10" to 10" pattern width, 12" from work.) Last two digits indicate equivalent orifice diameter. (17 = .017) **Note:** Worn spray tips will adversely affect the spray pattern and result in reduced production, poor finish and wasted material. Replace worn tips immediately

WARNING (continued)

the coating or solvent manufacturer's safety precautions and warnings.

- 9) **ALWAYS** wear spray masks and protective eye-wear while spraying. Additional personal equipment may be required depending on the type of material being sprayed and conditions of ventilation. Always contact supplier of material for recommendation.
- 10) Keep all extension poles clear of electrical wires.
- 11) **NEVER** alter or modify any part of this equipment; doing so could cause it to malfunction.
- 12) **NEVER** leave equipment unattended. Keep away from children or anyone not familiar with the operation of airless equipment.

WARNING – EXPLOSION HAZARD

Halogenated Hydrocarbon solvents can cause an explosion when used with aluminum or galvanized components in a closed (pressurizable) fluid system (such as in pumps, heaters, filters, valves, spray guns, tanks, etc.). The explosion could cause serious injury death and/or substantial property damage. Cleaning agents, coatings, paints, etc. may contain Halogenated Hydrocarbon solvents. TITAN TOOL Inc. spray equipment includes aluminum or galvanized components and will be affected by Halogenated Hydrocarbon solvents. **DO NOT USE HALOGENATED HYDROCARBONS IN TITAN EQUIPMENT.**

INSTALLATION & OPERATION

WARNING: Keep Clear of Nozzle

High pressure fluid from spray or leaks can penetrate the skin. If not promptly and properly treated, the injury can cause permanent disability or amputation. If you are injected, see a physician immediately. DO NOT TREAT AS A SIMPLE CUT.

Always use a tip safety guard for added protection against injection. **BEWARE** that the guard alone will not prevent injection. **NEVER** cut off tip guard! **ALWAYS** engage gun safety lock when the gun is not in operation. **BEFORE** servicing unit, consult owners manual and observe all warnings.

NEVER attempt to install, change or clean tip or safety guard without first doing the following:

1. Set trigger safety in locked closed position.
2. Shut off sprayer, and, in addition, unplug electrical cord or air supply.
3. Release fluid pressure from the entire system. From pump to spray gun tip.

To Assemble or Replace Gun and Tip Assembly:

GUN ASSEMBLY:

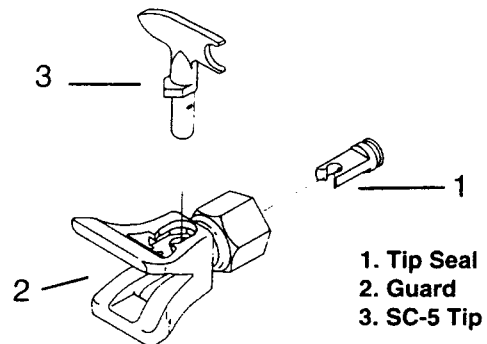
1. Before attaching a gun to a grounded high pressure airless hose, make sure that the airless unit is turned off, and that the fluid pressure has been relieved from the system. (Follow procedures described in the warning section.)
2. Connect grounded high pressure fluid hose to the inlet of the gun and tighten securely with a wrench.
3. With no tip installed in the gun, start the pump/sprayer. Flush the system according to the manufacturer recommendation. Inspect the unit to make sure that all fittings are secure and that there are no leaks.

SC-5 TIP ASSEMBLY:

1. Insert seal (1) into safety guard (2). Align flats of seal inside the guard slot to assure proper insertion.
2. Insert the SC-5 tip (3) inside the guard as shown in diagram below.
3. Rotate the tip until arrow of the tip points forward and

clicks in place. NOTE: If tip can be rotated more than 180 degrees, then tip is not fully inserted and bodily injury could result when unit is under pressure.

4. Hand-screw safety guard and tip assembly onto gun until it bottoms with the gun nozzle. **NO TOOLS ARE REQUIRED** as this is a hand-tight assembly. Although friction should be felt, the tip should rotate smoothly and easily.

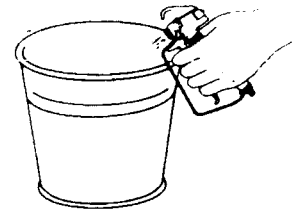


Operating Instructions:

1. To spray, position tip handle so that the arrow on tip handle is pointed in the direction you wish to spray.
2. Start the pump. Adjust the fluid pressure on the sprayer until the spray is completely atomized. Always use the lowest pressure necessary to get the desired results.
3. The spray tip determines the size of spray pattern and coverage. When more coverage is needed use a larger spray tip rather than increasing fluid pressure.
4. If tip clogs, rotate tip handle 180° until arrow on handle is facing the opposite of spray direction and clicks in reverse position.
5. Trigger gun once so that the pressure can blow the clog out. **NEVER** use the tip in the reverse position for more than **ONE** trigger pull at a time. This procedure can be repeated until the tip is free of clogging.

SERVICE

WARNING: Follow all safety precautions as described in high pressure warning section before proceeding. If your spray gun leaks or spits at the tip when you release the trigger, the needle or seat is worn or damaged or dirty and must be replaced or cleaned.



Remove Tip and Safety Guard when flushing.

Replacement / Service of Seal Assembly:

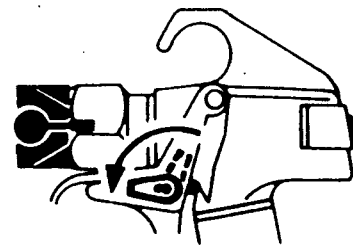
1. Remove safety guard and tip.
2. Depress trigger and remove diffuser housing (9) and Washer (8).
3. Unscrew and remove locknut(1) and rear housing (2) and retractor Pins(3).
4. Remove seal needle assembly from the front of the gun by pushing or lightly tapping the back of the needle assembly (6).
5. Soak parts in clean, compatible solvent and wipe clean. Inspect parts for wear or damage and reassemble gun using new parts when necessary.

NOTE: Apply lithium base grease to all packing and moving parts before reassembling.

6. To reassemble gun, install seal assembly (6) into gun head (4) from front of the gun. Install retractor pins (3) and rear housing (2) and secure with lock nut (1). Squeeze trigger and install washer (8) and diffuser housing (9). Secure with a wrench.
7. To adjust fluid seal, tighten locknut (1) until rear housing (2) bottoms against gun head. Then unscrew locknut 3/4 of a turn. **IMPORTANT:** to check adjustment, set trigger safety in lock position and pull trigger. In this position rear housing should allow a 1/32" movement between the locknut and the rear housing.

Replacement or Removal of Filter

1. Remove lower Housing #18. Make sure to place a second wrench on exposed portion of filter Housing.



Lock Position

2. Remove Filter #17. Clean or replace. **Note:** Filter has left hand threads.
3. Unscrew filter from spray head. (NOTE: Left hand thread, turn filter clockwise to remove).
4. Screw new or cleaned filter in to head. (Turn counter-clockwise).
5. Reattach handle to head and secure safety trigger guard. (NOTE: If filter breaks off in head, use small wood screw to remove).

Maintenance and Cleaning:

1. Cleanliness is important to assure trouble free operation. Flush unit after each use. **WARNING:** When flushing always remove tip, adjust pressure to lowest possible setting and hold gun firmly against metal container.
2. Store clean unit in a dry place. Do not leave in water or solvents.

TITAN WARRANTY FOR THE LX-80 SPRAY GUN

Titan Tool, Inc., ("Titan") warrants that at the time of delivery to the original purchaser for use ("End User"), the equipment covered by this warranty is free from defects in material and workmanship. Titan's obligation under this warranty is limited to replacing or repairing without charge those parts which, to Titan's reasonable satisfaction, are shown to be defective within twelve (12) months after sale to the End User. This warranty applies only when the unit is installed and operated in accordance with the recommendations and instructions of Titan.

This warranty does not apply in the case of damage or wear caused by abrasion, corrosion or misuse, negligence, accident, faulty installation, substitution of non-Titan component parts, or tampering with the unit in a manner to impair normal operation.

Defective parts are to be returned to an authorized Titan sales/service outlet. All transportation charges, including return to the factory, if necessary, are to be borne and prepaid by the End User. Repaired or replaced equipment will be returned to the End User transportation prepaid.

THERE IS NO OTHER EXPRESS WARRANTY. TITAN HEREBY DISCLAIMS ANY AND ALL IMPLIED WARRANTIES INCLUDING, BUT NOT LIMITED TO, THOSE OF MERCHANTABILITY AND FITNESS FOR A PARTICULAR PURPOSE, TO THE EXTENT PERMITTED BY LAW. THE DURATION OF ANY IMPLIED WARRANTIES WHICH CANNOT BE DISCLAIMED IS LIMITED TO THE TIME PERIOD SPECIFIED IN THE EXPRESS WARRANTY. IN NO CASE SHALL TITAN LIABILITY EXCEED THE AMOUNT OF THE PURCHASE PRICE. LIABILITY FOR CONSEQUENTIAL, INCIDENTAL OR SPECIAL DAMAGES UNDER ANY AND ALL WARRANTIES IS EXCLUDED TO THE EXTENT PERMITTED BY LAW.

TITAN MAKES NO WARRANTY AND DISCLAIMS ALL IMPLIED WARRANTIES OF MERCHANTABILITY AND FITNESS FOR A PARTICULAR PURPOSE WITH RESPECT TO ACCESSORIES, EQUIPMENT, MATERIALS OR COMPONENTS SOLD BUT NOT MANUFACTURED BY TITAN. THOSE ITEMS SOLD, BUT NOT MANUFACTURED BY TITAN (SUCH AS GAS ENGINES, SWITCHES, HOSES, ETC.) ARE SUBJECT TO THE WARRANTY, IF ANY, OF THEIR MANUFACTURER. TITAN WILL PROVIDE THE PURCHASER WITH REASONABLE ASSISTANCE IN MAKING ANY CLAIM FOR BREACH OF THESE WARRANTIES.

TITAN

© 1999 Titan Tool Inc.
313-012 Printed in the U.S.A.
REV. 0599

National Sales & Service
1-800-526-5362
Fax 1-800-528-4826

556 Commerce Street
Franklin Lakes, NJ 07417

Canadian Branch
1-800-565-8665
Fax 1-905-856-8496

200 Towers Road, Unit 7B
Woodbridge, L4L 5Z8

International
201-405-7462
Fax 201-405-7449

556 Commerce Street
Franklin Lakes, NJ 07417



TITAN

LX-80

PROFESSIONAL AIRLESS GUN

OWNERS MANUAL
FOR PROFESSIONAL
USE ONLY

313-012 0599

DO NOT USE EQUIPMENT BEFORE READING THIS SECTION

WARNING

HIGH PRESSURE SPRAY CAN CAUSE SERIOUS INJURY

Maximum Working Pressure 3600 psi, 257 bar

An airless spray gun requires that fluid be introduced to it at very high pressure. Fluids under high pressure, from spray or leaks, can penetrate the skin and inject substantial quantities of toxic fluid into the body. If not promptly and properly treated, the injury can cause tissue death or gangrene and may result in serious, permanent disability or amputation of the wounded part. Therefore, extreme caution must be exercised when using any airless spray equipment. **IF YOU ARE INJECTED, SEE A PHYSICIAN IMMEDIATELY. DO NOT TREAT AS A SIMPLE CUT!**

NOTE TO PHYSICIAN: Injection into the skin is a serious, traumatic injury. It is important to treat the injury surgically as soon as possible. Do not delay treatment to research toxicity. Toxicity is a concern with some exotic coatings injected directly into the bloodstream. Consultation with a plastic surgeon or reconstructive hand surgeon may be advised.

- 1) Handle the spray gun carefully. **NEVER** point the gun at yourself or anyone else. **NEVER** permit any part of your body to come in contact with the fluid stream of either the gun or any hose leak. **ALWAYS** keep the gun trigger safety lever in a locked position when not spraying. **ALWAYS** use a tip safety guard.
- 2) **NEVER** attempt to force the flow of fluid backward through the gun with your finger, hand or hand-held object against the gun nozzle. **This is NOT AN AIR SPRAY GUN.**
- 3) **NEVER** attempt to remove tip, disassemble or repair equipment without first doing the following:

PRESSURE RELEASE PROCEDURE

 - A. Set trigger safety in a locked position.
 - B. Shut off pump.
 - C. Release fluid pressure from entire system and trigger gun.
 - D. Reset trigger safety in a locked position.
- 4) Before flushing system, always remove spray tip and adjust fluid pressure to lowest possible setting and hold firmly against a metal container.
- 5) Tighten all fluid connections before each use. **NEVER** exceed 3600 psi with this gun. Make sure that all accessory hoses, connections, swivels and so forth can withstand the high pressures which develop. **NEVER** exceed the pressure rating of any component in the system.
- 6) **WARNING:** The paint hose can develop leaks from wear, kinking, abuse, etc. A leak is capable of injecting fluid into the skin; therefore the paint hose should be inspected before each use. **NEVER** attempt to plug a hose with any part of your body, adhesive tape or any other makeshift device. Do not attempt to repair a spray hose; instead replace it with a new grounded hose. Use only with hoses that have spring guards. **NEVER** use less than 50' of hose with this gun.
- 7) Be sure that the airless equipment being used and the object being sprayed are properly grounded to prevent static discharge or sparks which could ignite and cause fire or explosion. **NEVER** exceed 500 ft. overall combined hose length to assure electrical continuity. **ALWAYS** hold the gun against metal container when flushing system with tip removed.
- 8) **ALWAYS** keep the working area around the pump well ventilated. Additionally, the pump itself should be a minimum of 25' from the spray area. If these instructions are not followed there is the possibility of fire or explosion with certain materials. Always follow