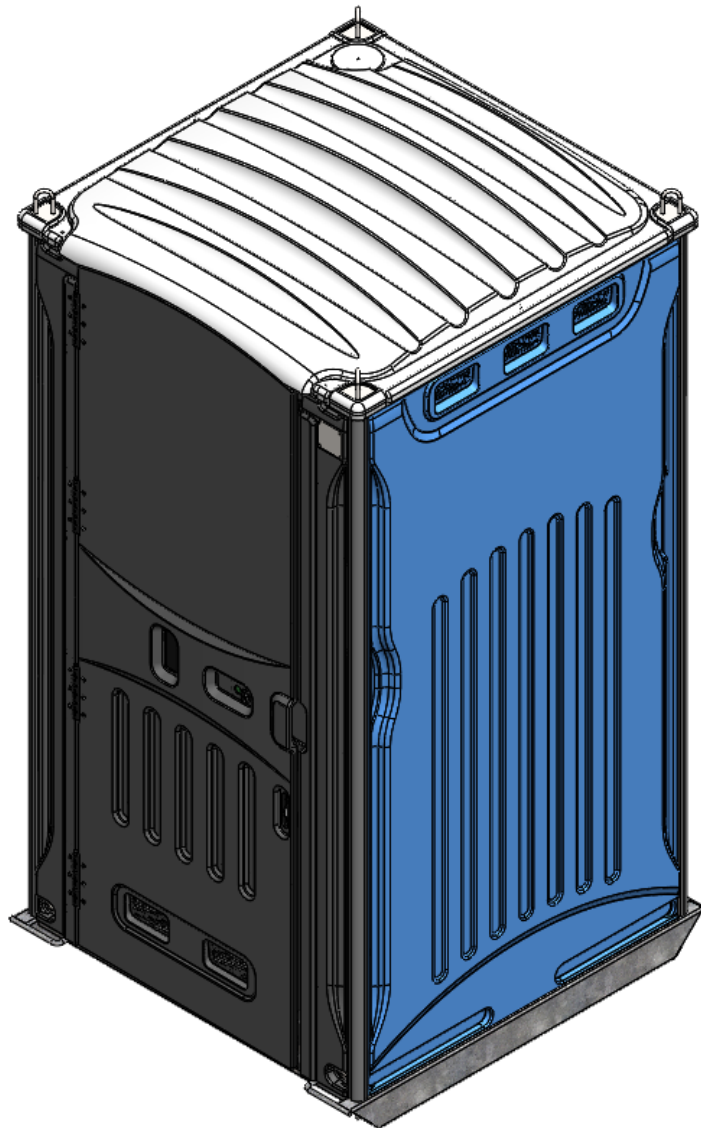
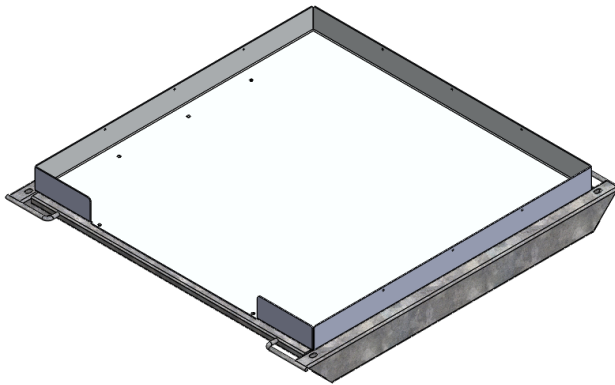


Workshop Manual – BUILD Sewer Connect



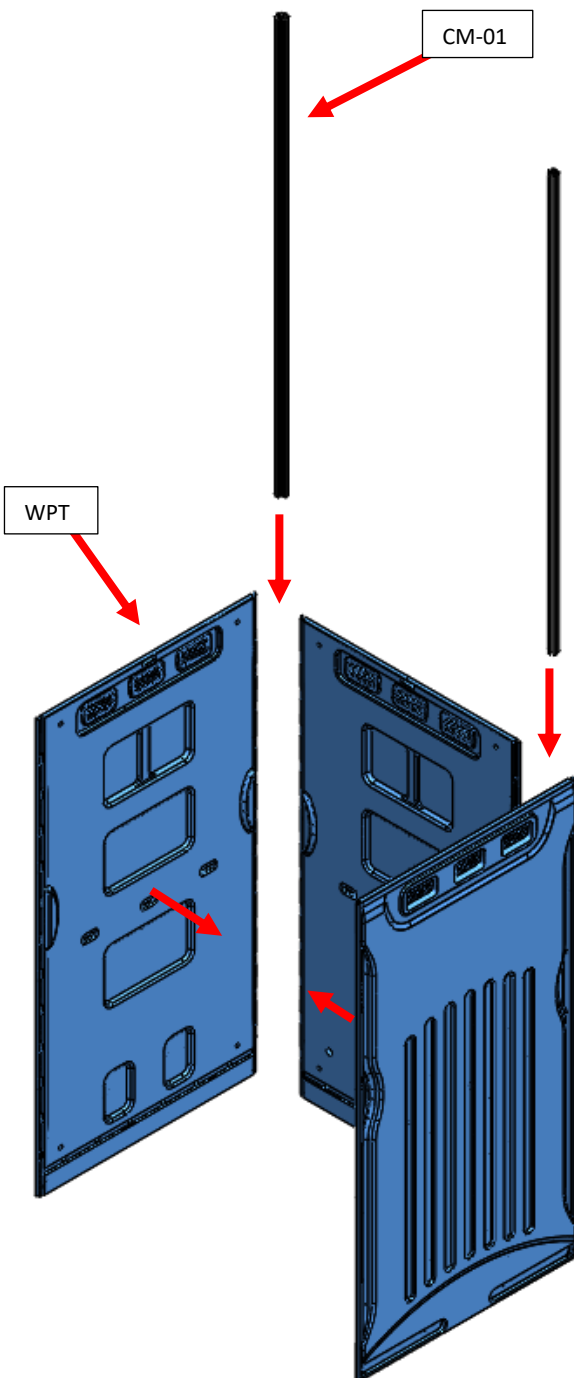
Sewer Connect

Name: _____ Signed: _____ Date: _____



Locate the following component.

1 x Sewer Connect Base –
pre-assembled.

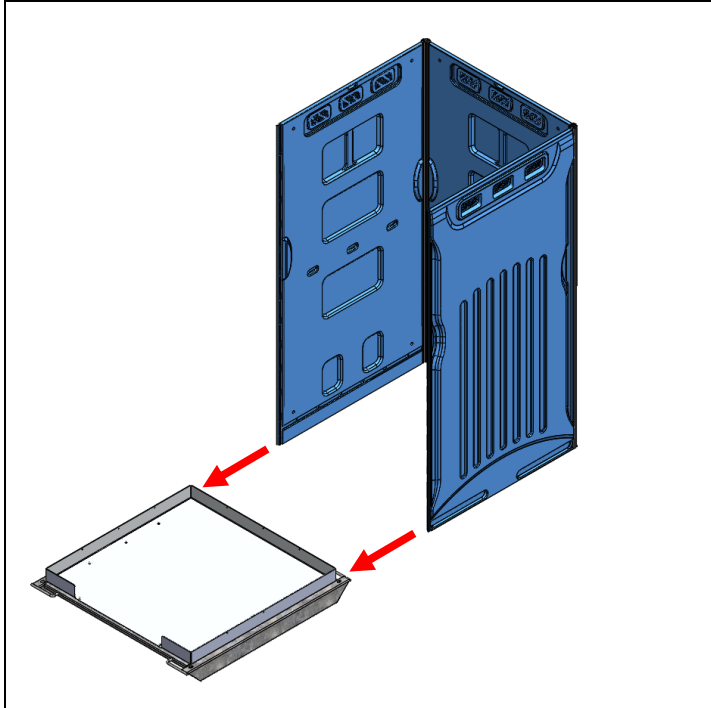


Next, locate the following components.

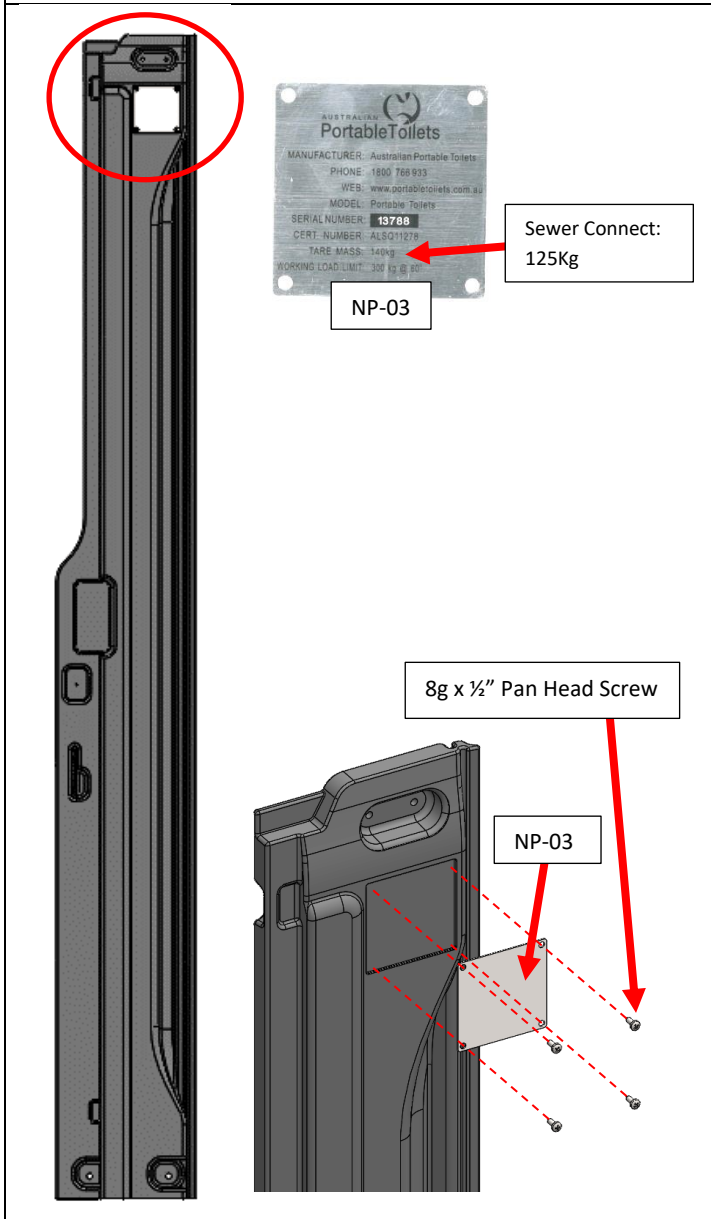
2 x Corner Moulds (CM-01)

3 x Double Skin Wall Panel (WPT)

Install together to form an assembly.



Slide the Double Skin Wall assembly onto the Pre-Assembled Sewer Connect Base.



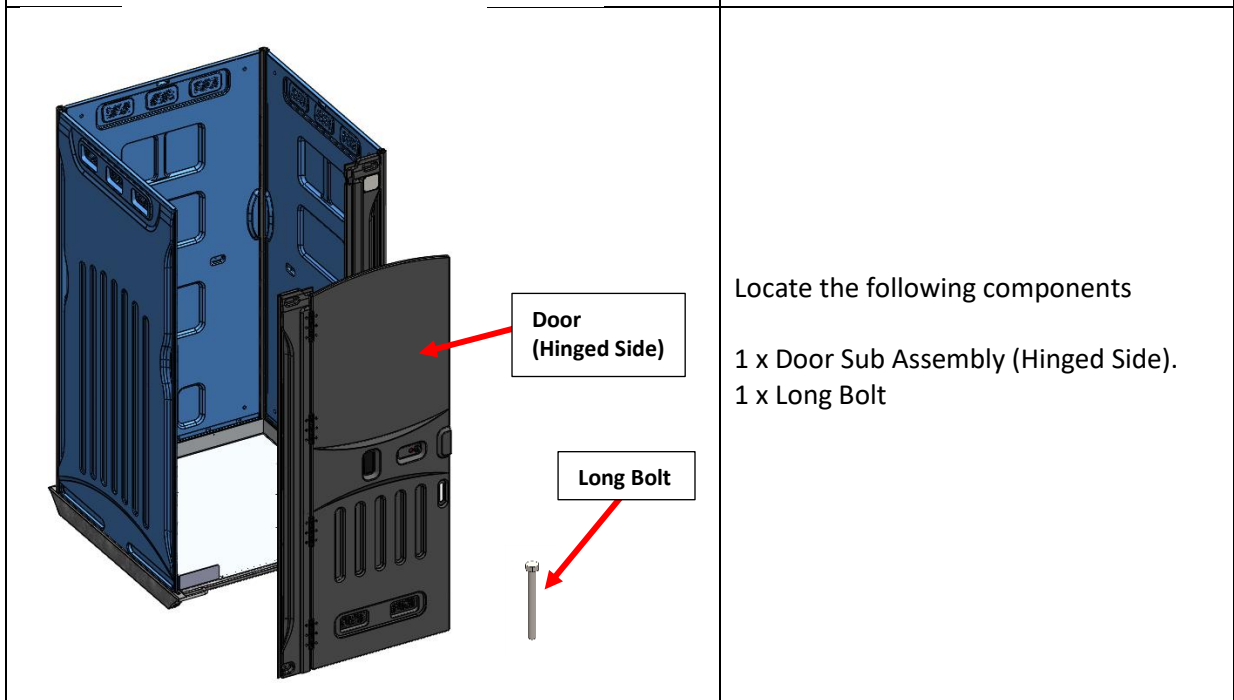
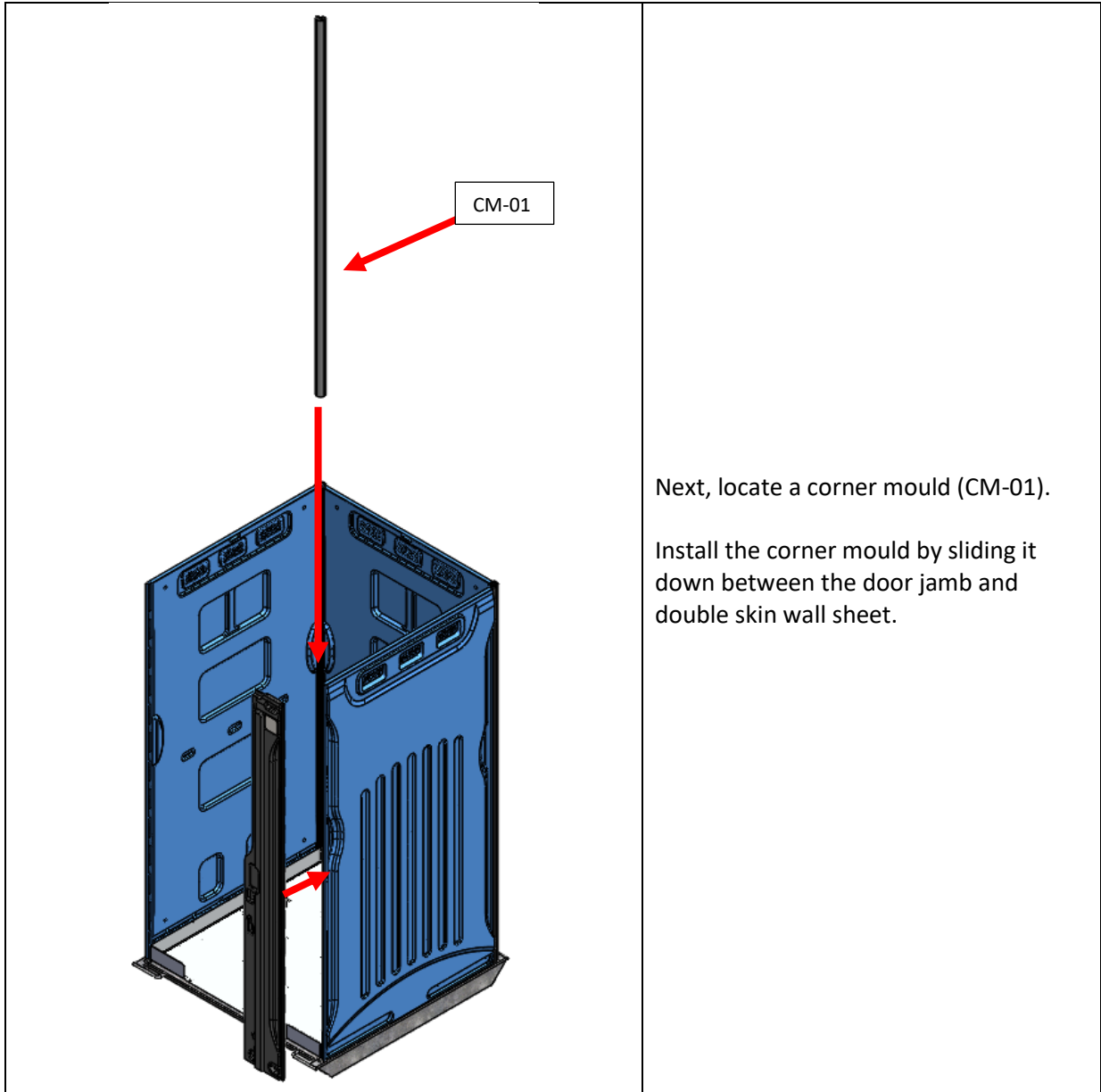
Locate the following components.

- 1 x Door Jamb Hasp Side Pre Assembly
- 1 x Portable Toilet Name Plate (NP-03)
- 4 x 8g x 1/2" Pan Head Screw

Using 4 x 8g x 1/2" Pan Head Screws, install the nameplate in the location shown.

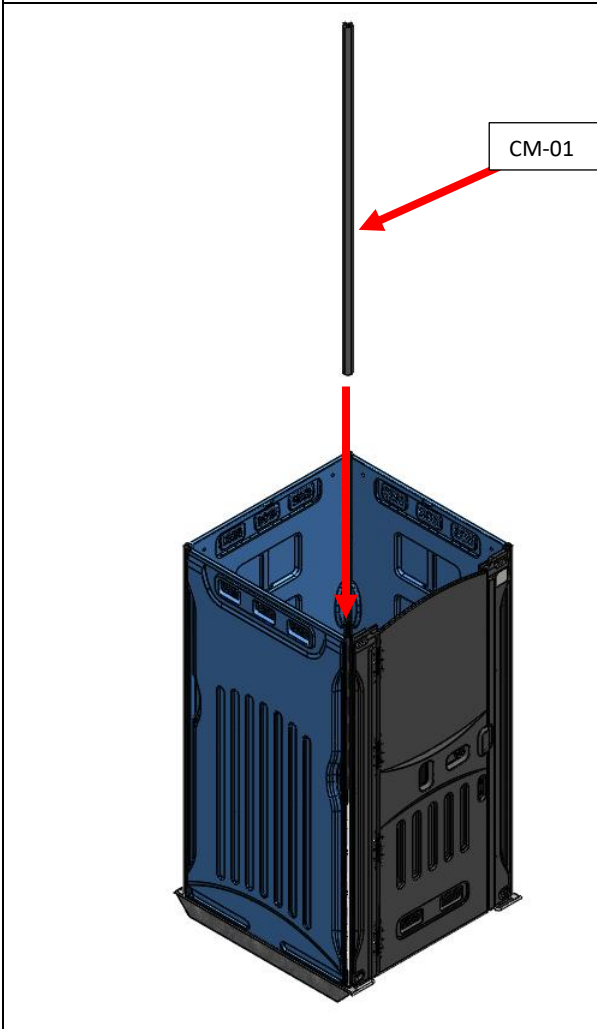
Understanding Name Plates:

NP-03
(Nameplate 1mm - Portable Sewer Connect 125kg)
Used for Sewer Connect Builds.



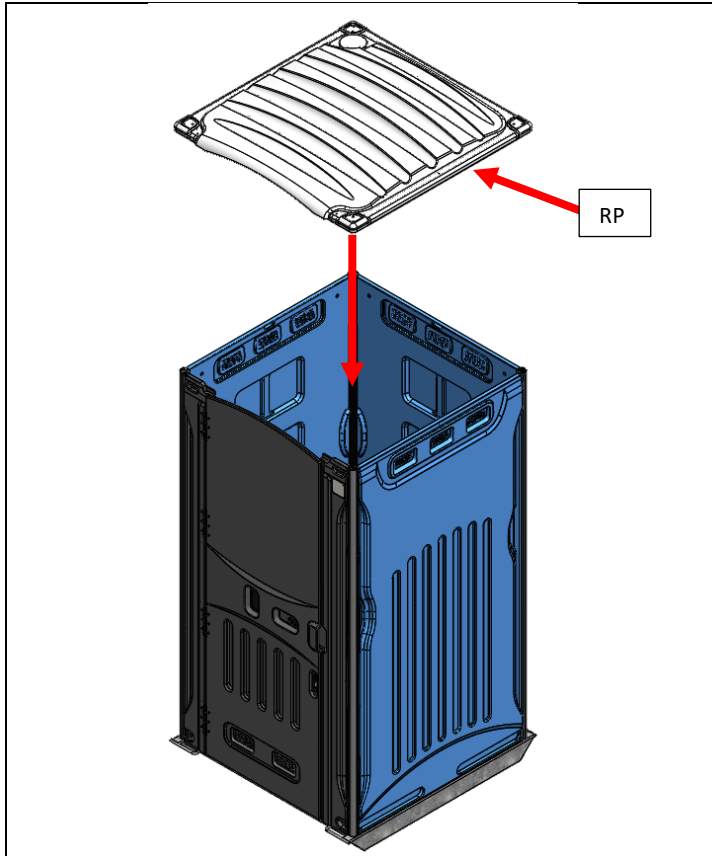


Use the long bolt through the hasp to assist in fixing the door.



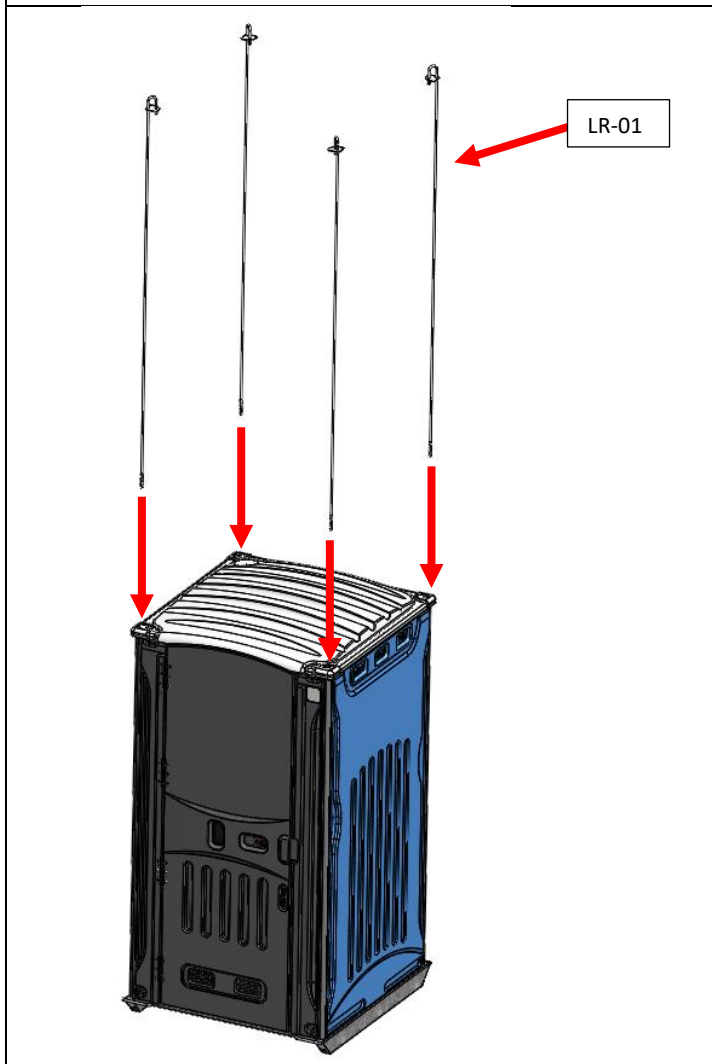
Next, locate the 4th and final corner mould (CM-01).

Install the corner mould by sliding it down between the door jamb and double skin wall sheet.



Locate the Roof Panel (RP).

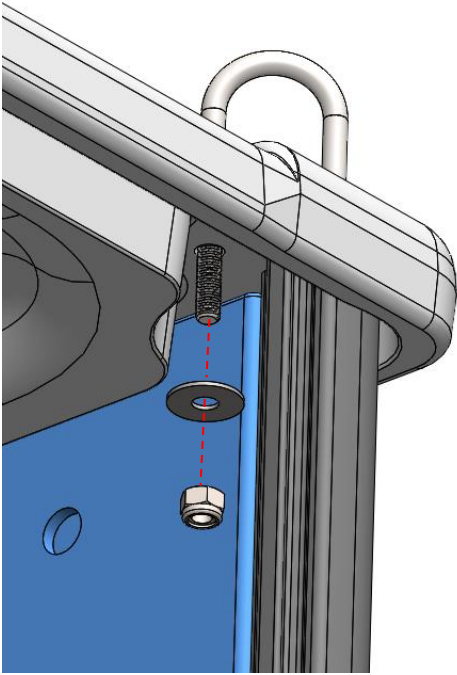
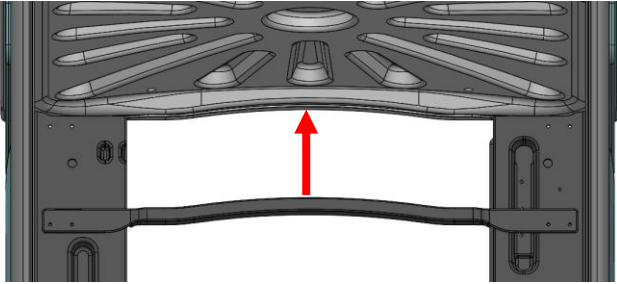
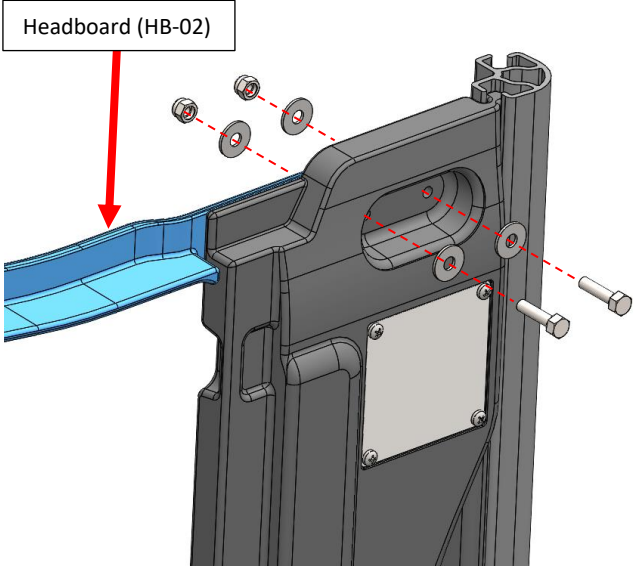
Install the Roof Panel as shown, ensuring the roof is aligned the correct way.

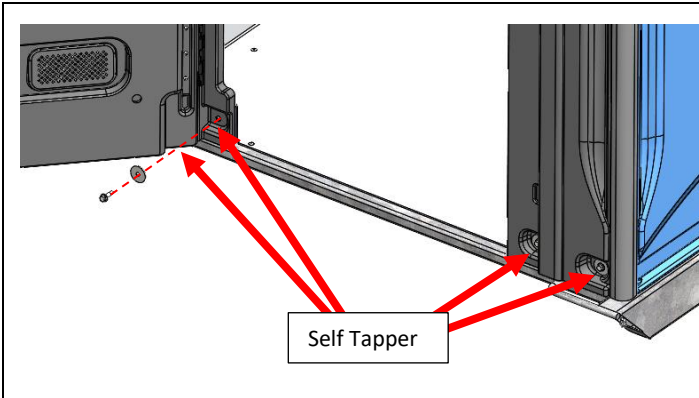


Locate the following components.

4 x Lifting Rod (LR-01)

Install a lifting rod in each corner of the cabinet through the roof and down each corner extrusion.

	<p>Locate the following components.</p> <p>4 x 5/16 x 1" Washer 4 x M8 Nyloc Nut</p> <ol style="list-style-type: none"> 1. Inside the unit, install the Washer and Nyloc nut as shown for all 4 x Lifting Rods. <p><i>Note: Wall panel missing from image.</i></p>
	<p>Next, locate the Headboard (HB-02) component.</p> <p>From inside the cabinet, install the headboard into the roof slot.</p>
 <p>Headboard (HB-02)</p>	<p>Locate the following components.</p> <p>4 x M6 x 25 Hex Bolt 8 x M6 Flat Washer 4 x M6 Nyloc Nut</p> <ol style="list-style-type: none"> 1. Fix the Headboard using the Bolts, Washers and Nyloc Nuts as shown. Repeat for both sides of the Headboard. <p><i>Note: Wall panel, Roof and Lifting Rod are missing from image.</i></p>

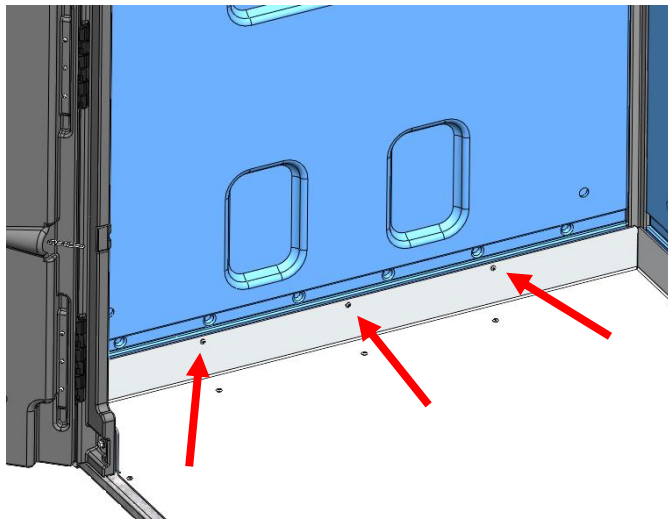


Using,

4 x 1/4 x 1 1/4" Washer

4 x 14g x 25mm Hex Head Self Tapper

Fix the door to the Sewer Connect Base.

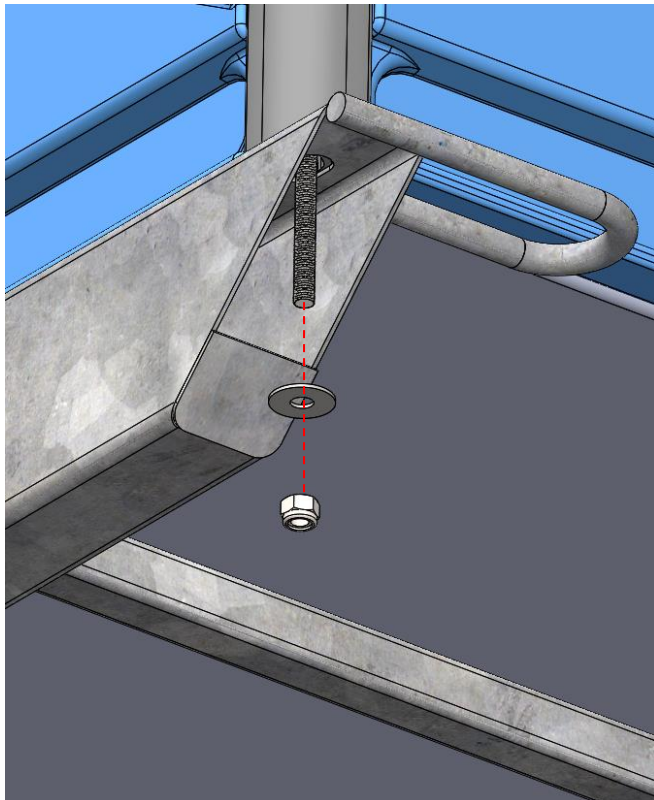


Using,

9 x 8g x 1/2" Pan Head Screws

Fix the Sewer Connect base to the Double Skin Wall panel.

Repeat for all the other 2 walls.

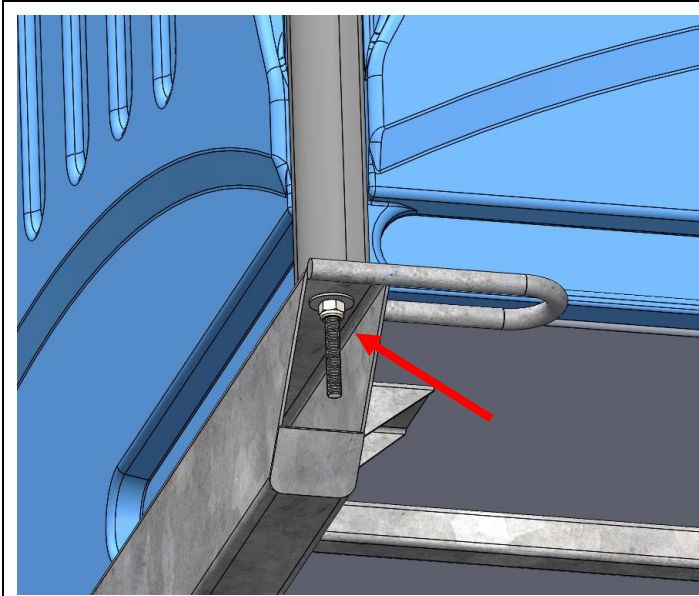


Using,

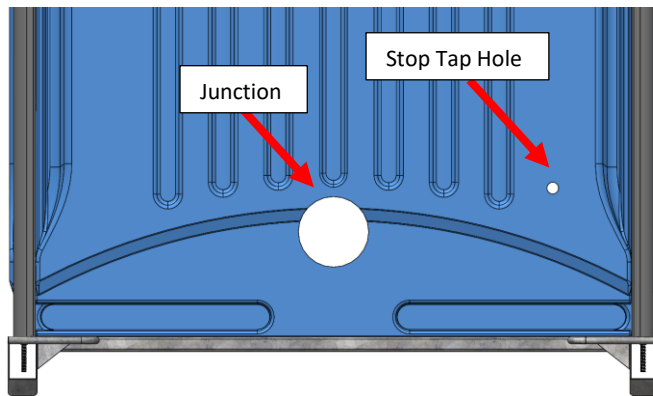
4 x 5/16 x 1" Washer

4 x M8 Nyloc Nut

Lifting the unit up, install and tighten the lifting rod to the steel skid.



Repeat for all 4 lifting rods.



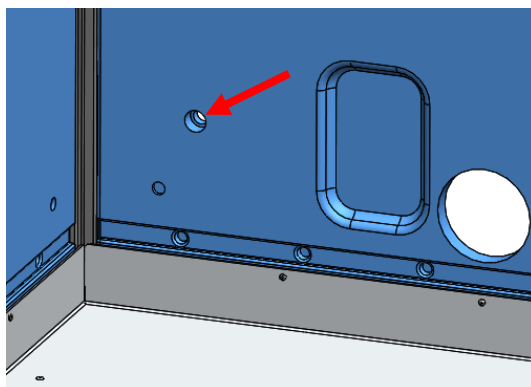
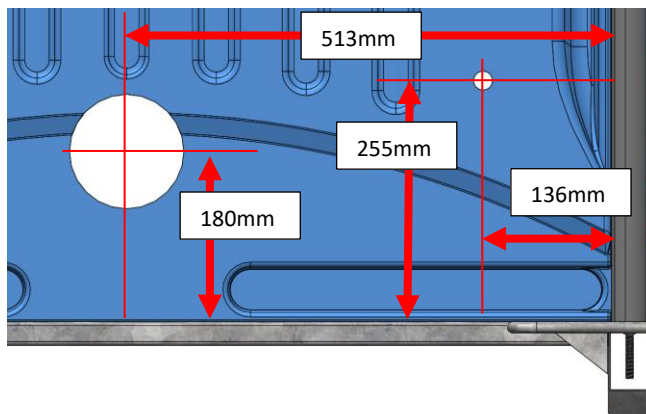
Whilst the unit is in the air, drill the following holes in the locations indicated.

1 x 121mm hole (Junction Hole)

(NOTE: Drill 121mm hole through both skins of the double skin wall).

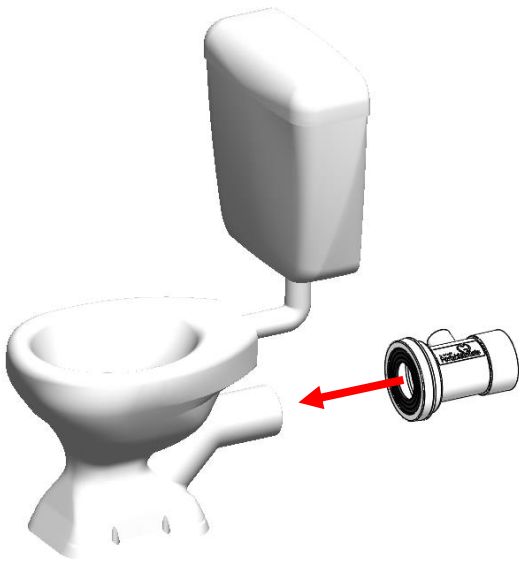
1 x 20mm hole (Stop Tap Hole)

(NOTE: Drill 20mm hole through outside skin of the double skin wall only).



Next, finish off the Stop Tap Hole by drilling a 28mm hole from the *inside of the unit*.

(NOTE: Drill 28mm hole through inside skin of the double skin wall only).

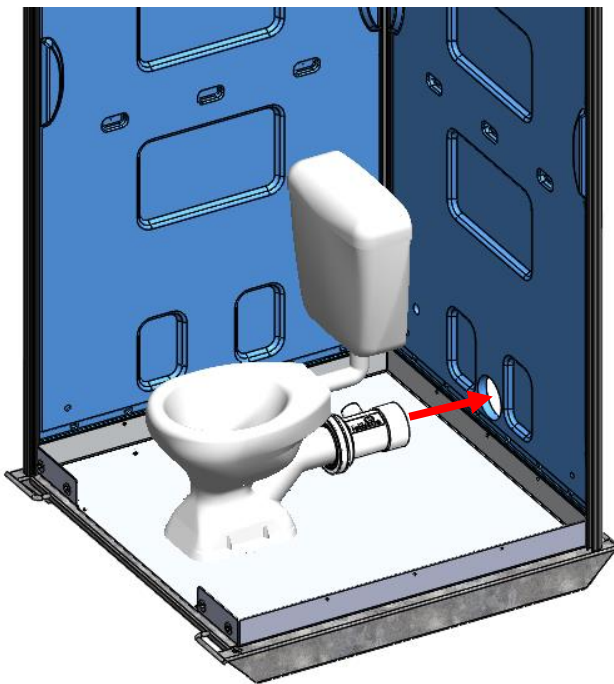


Next locate the following components:

1 x Toilet Suite and Cistern Pre Assembly

1 x Junction Pre Assembly

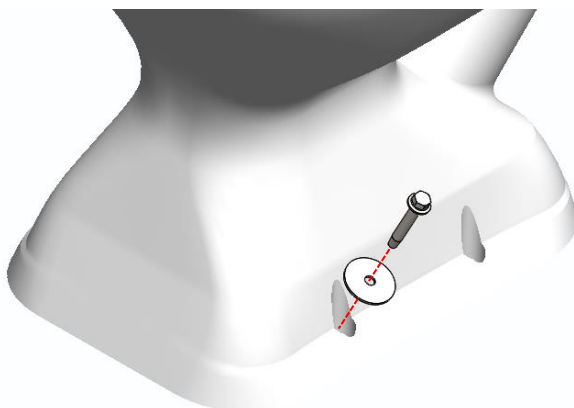
Connect Assemblies as shown.



Next, install the Toilet Suite into the cabinet.

Ensure that the junction is positioned correctly through the pre-drilled hole.

Note: Wall panel, door and some other parts are missing from image.

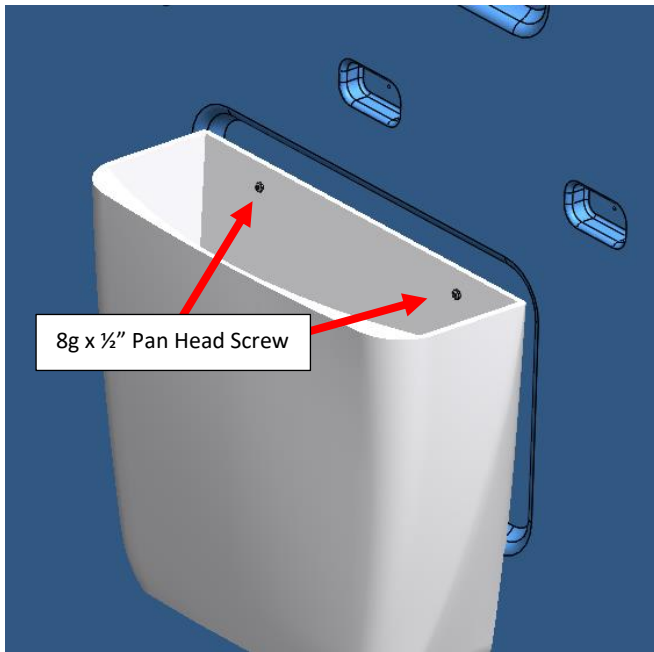


Using

4 x 14-20 x 45 Hex self drill

4 x Flat washer 1/4" x 1 1/4"
Nylon White

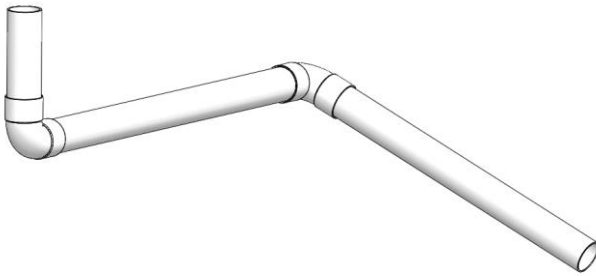
Fix the toilet suite to the sewer connect base.



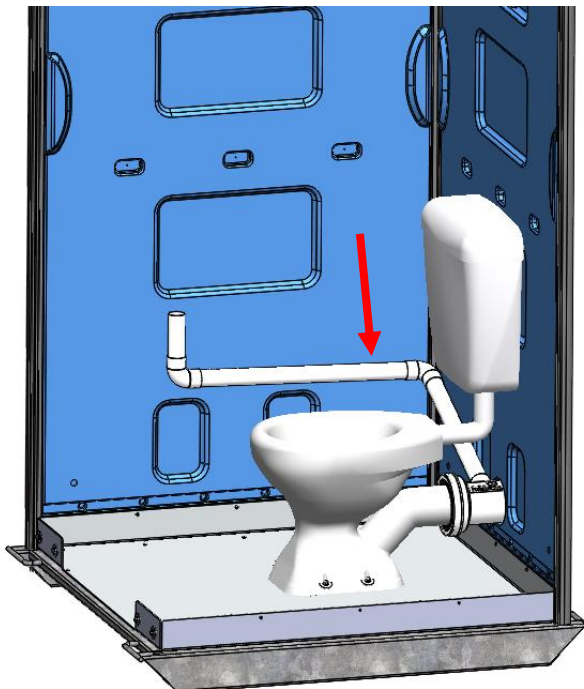
Secure the Cistern to the rear wall by using

2 x 8g x 1/2" Pan Head Screw.

Fix from inside the cistern as shown.

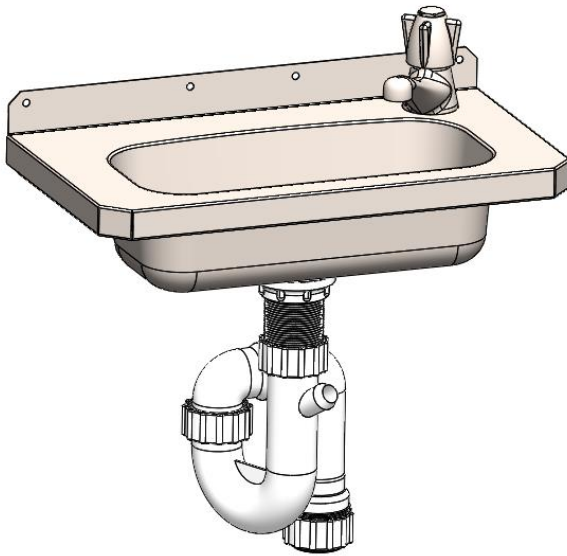


Next locate the PVC Plumbing Pre-Assembly.

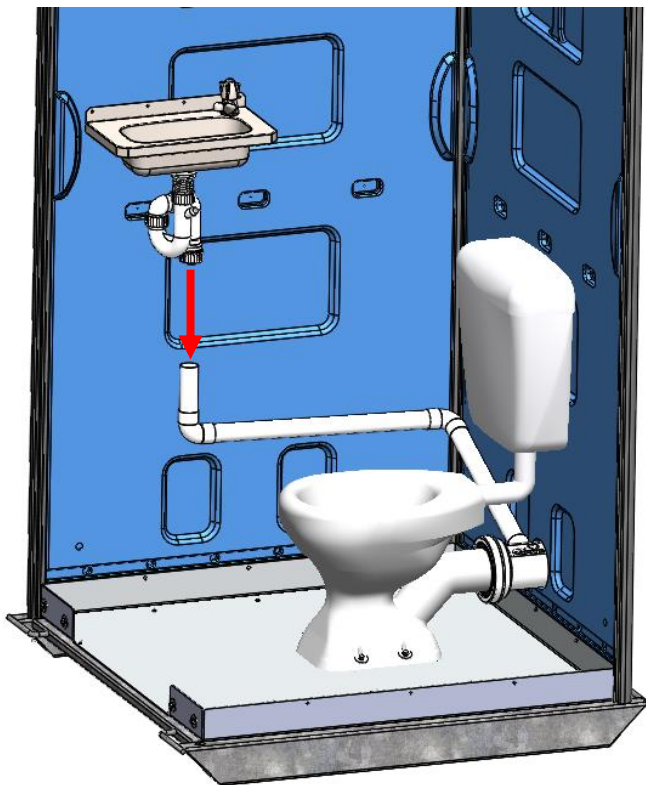


Install the PVC Plumbing Pre-Assembly as shown.

Note: Wall panel, door and some other parts are missing from image.

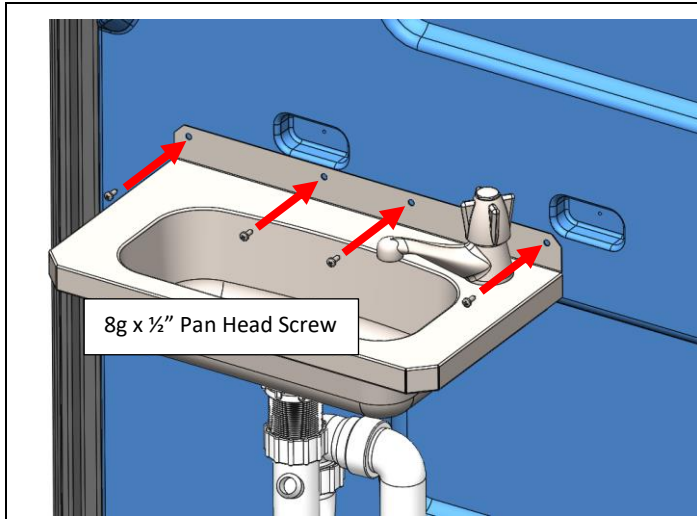


Next locate the Basin Pre-Assembly.

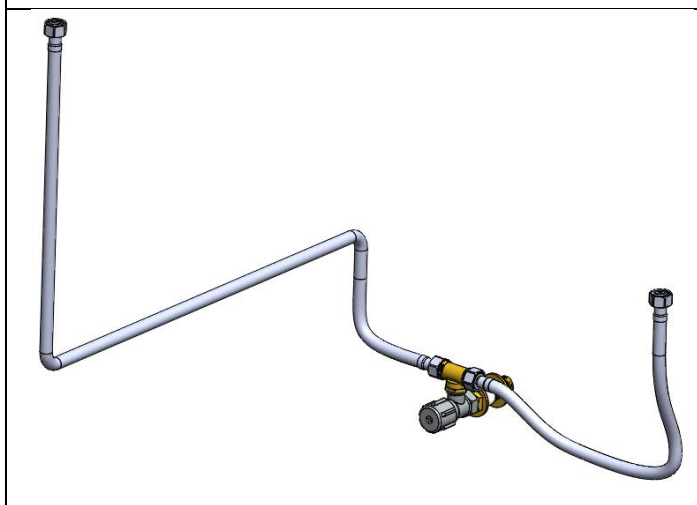


Install the Basin Pre-Assembly onto the PVC Plumbing Pre-Assembly.

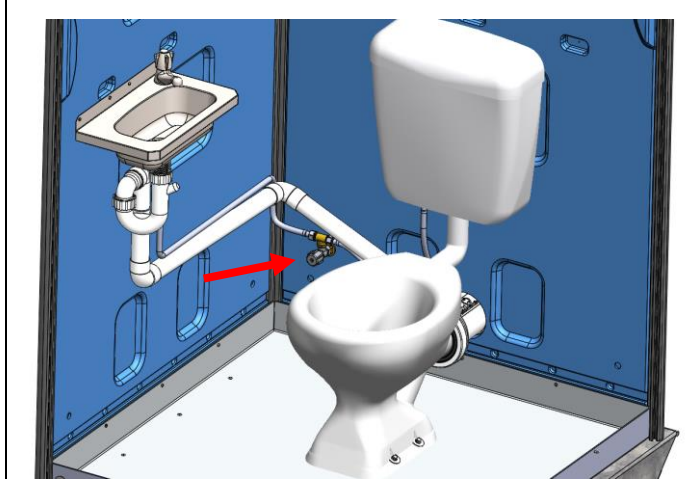
Note: Wall panel, door and some other parts are missing from image.



Using 4 x 8g x 1/2" Pan Head Screws,
Install the Basin Pre-Assembly onto the
wall panel.

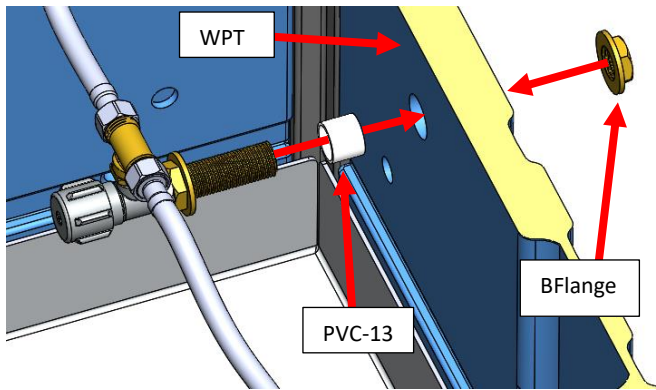


Locate the Stop Tap Pre-Assembly.



Install the Stop Tap Pre-Assembly in the
location shown.

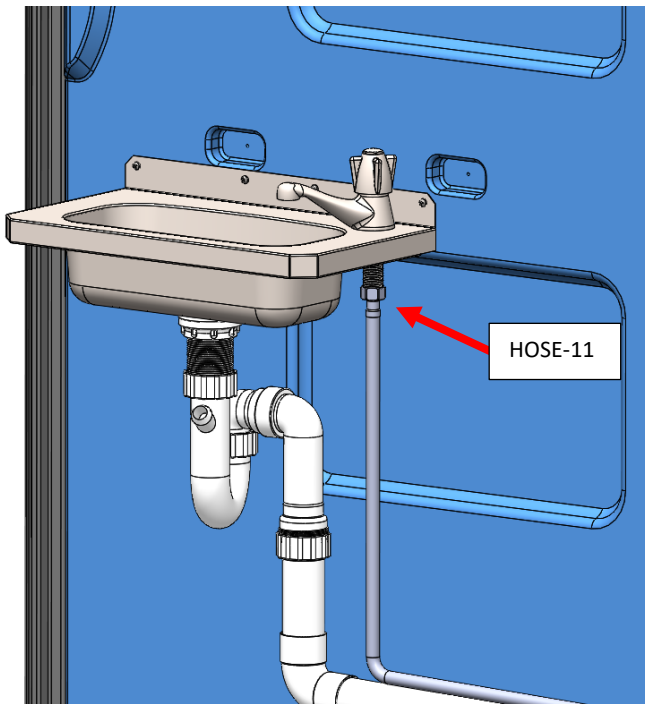
*Note: Wall panel, door and some other
parts are missing from image.*



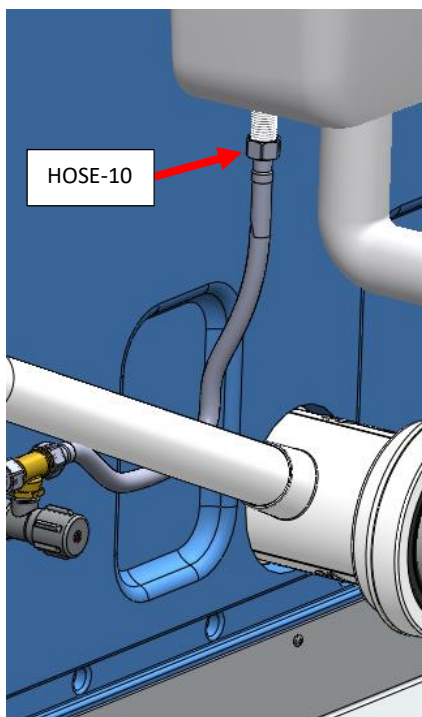
Install the Stop Tap Pre-Assembly through the pre-drilled hole in the rear wall panel (WPT) .

Fix with the locking flange (BFlange).

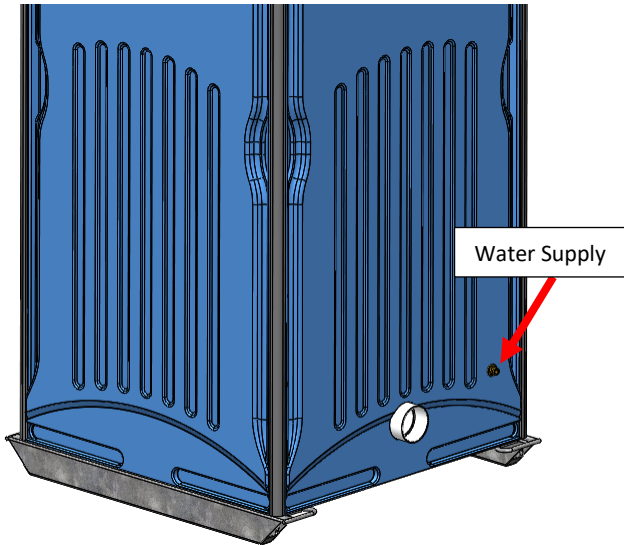
Note: Wall panel (WPT) is in section view.



Connect HOSE-11 from the Stop Tap to the Basin Tap.



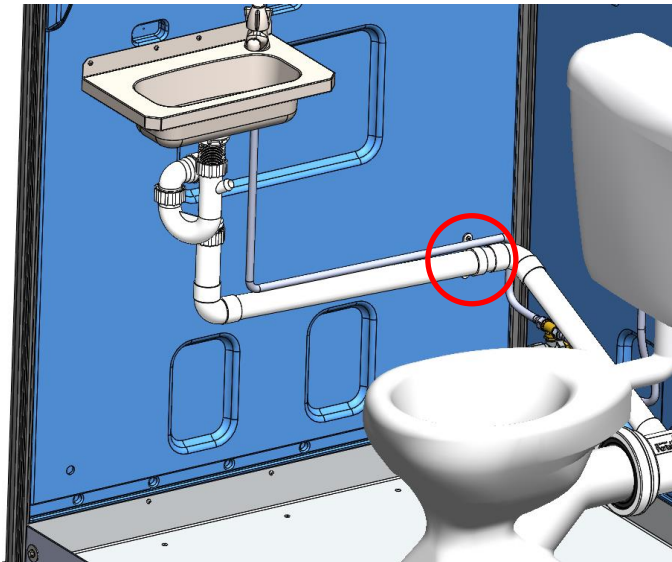
Connect HOSE-10 from the Stop Tap to the Toilet Suite Cistern.



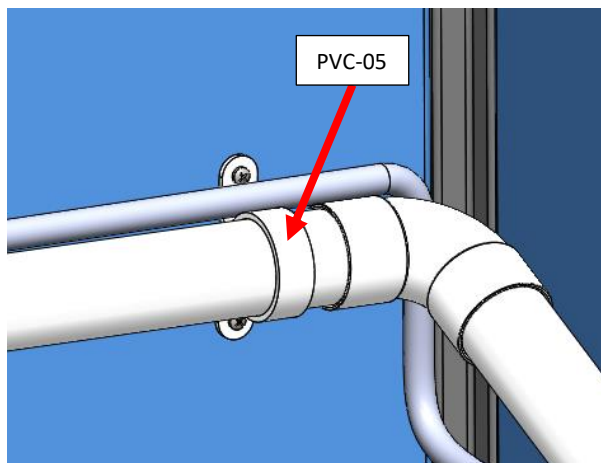
The Toilet is now ready for testing.

Connect a water supply to the stop tap and allow water to flow to the Toilet Cistern and Basin Tap.

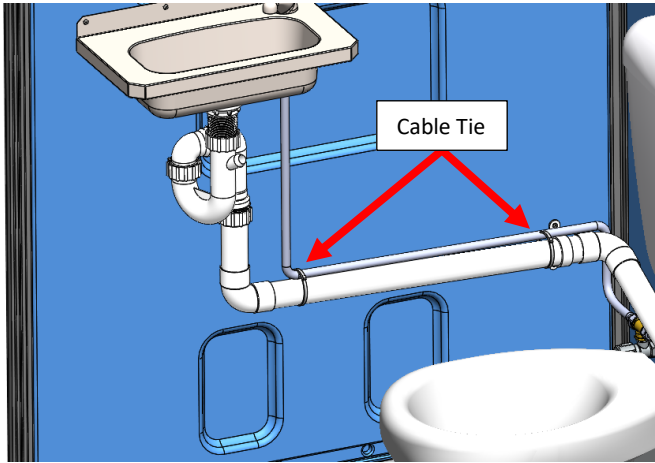
1. **Test the tap and check for leaks at the hose connections.**
2. **Test the Toilet by flushing, check for leaks at the hose connections.**



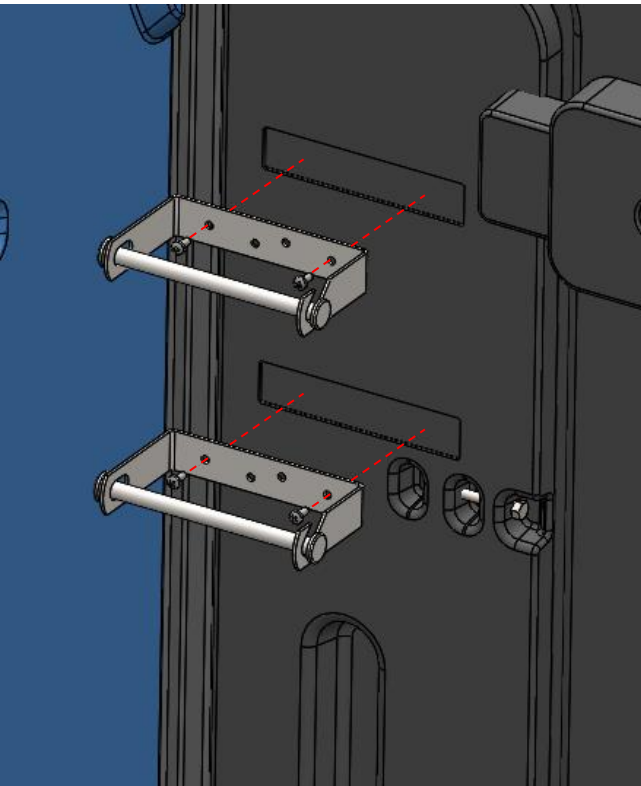
Fit the PVC saddle clip to the wall to secure the PVC piping.



Using 2 x 8g x 1/2" Pan Head Screws,
Install the Saddle Clip (PVC-05).



Using 2 x Cable Tie,
Secure HOSE-11 to the PVC Piping as
shown.

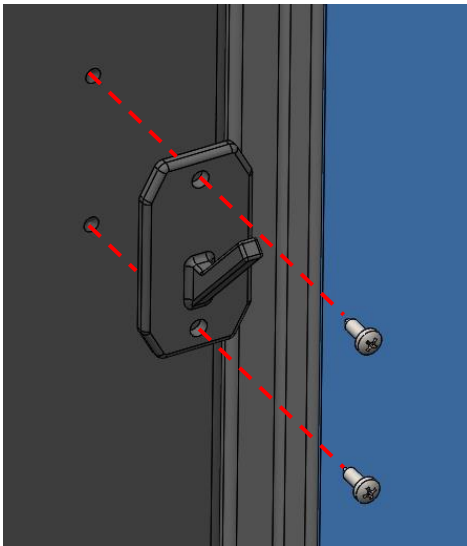
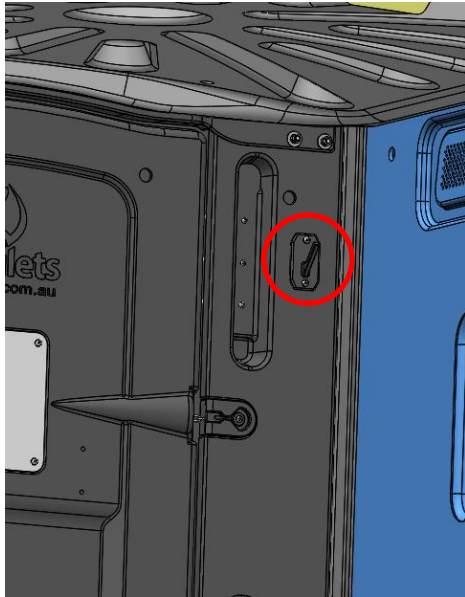


On the left-hand side of the door jamb,
install

2 x Toilet Roll Holders (TRH-01)

Using

4 x 8g x 1/2" Pan Head Screw

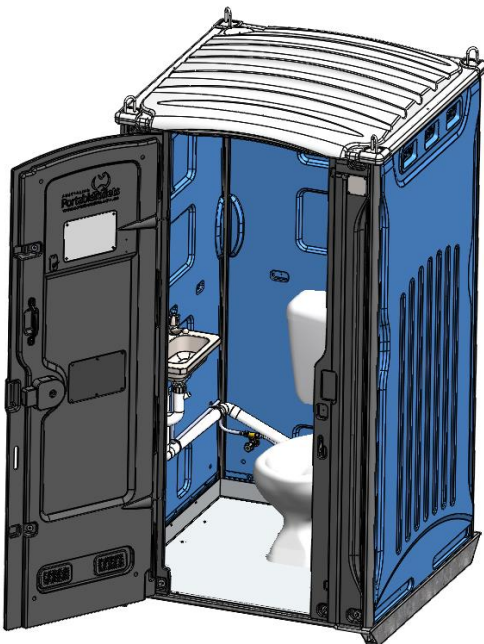


On the right-hand side of the door jamb, install

1 x Coat Hook (CH-01)

Using

2 x 8g x 1/2" Pan Head Screw



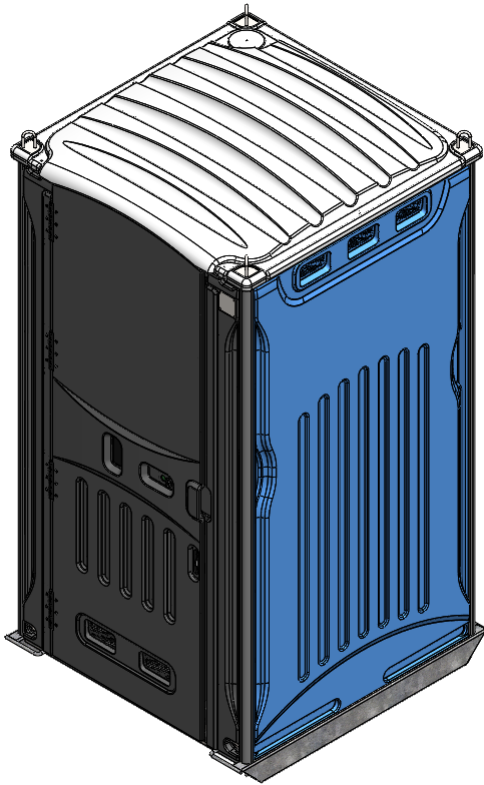
Clean the unit of any marks and debris.

Cable tie Toilet Roll holders and door.

OR

Wrap unit

Ready for dispatch



Build Complete.