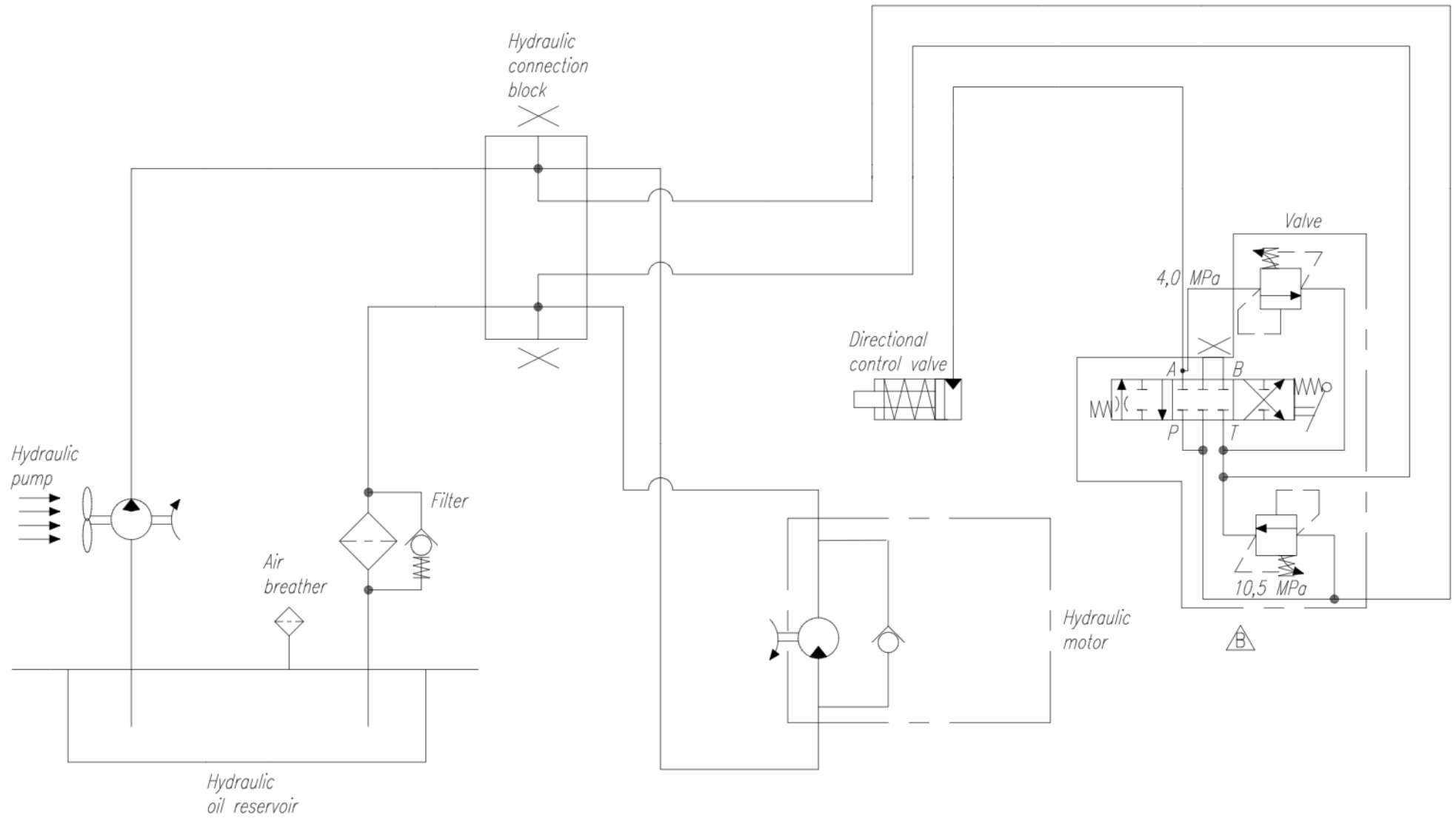


Rev.	Pls.	Change No.	Date	Issued by	Checked
B	1	00126	2000-03-13	TXC/CL	



This document will remain the property of Dynapac Heavy Equipment AB and may not be copied, reproduced, or disseminated in any form or by any means, electronic or mechanical, including photocopying, recording, or by any information storage and retrieval system, without the prior written permission of Dynapac Heavy Equipment AB.

Designed <i>JN</i>	Approved <i>AT</i>	Material Designation	Part No.
View 	Date <i>981202</i>	Description <i>Hydraulic diagram</i> <i>Hydraulschema</i>	Model <i>LH300</i>
	Reg. <i>RE</i>		Scale
 Svedala Compaction Equipment AB		Rev.	No.
		<i>B</i>	<i>284265</i>

